



US00D971207S

(12) **United States Design Patent**
Zhu

(10) **Patent No.:** **US D971,207 S**

(45) **Date of Patent:** **** Nov. 29, 2022**

(54) **SMART WATCH**

(71) Applicant: **Zhiqiang Zhu**, Xuzhou (CN)

(72) Inventor: **Zhiqiang Zhu**, Xuzhou (CN)

(**) Term: **15 Years**

(21) Appl. No.: **29/804,046**

(22) Filed: **Aug. 18, 2021**

(51) **LOC (13) Cl.** **14-02**

(52) **U.S. Cl.**

USPC **D14/344**

(58) **Field of Classification Search**

USPC D14/138 R, 344; D10/30-32, 38, 70;
D11/3; D24/167

CPC G04G 17/00; G04G 17/06; G04G 17/08;
G04G 17/083; G04G 17/045; G04G
21/00; G04G 21/02; G04G 21/025; G04G
21/06; G04G 21/08; G04G 99/006; G06F
1/163; A44C 5/00; A44C 5/0007; A44C
5/0015; A44C 5/0045; A44C 5/0053;
A44C 5/2052; A44C 5/2071

See application file for complete search history.

(56) **References Cited**

U.S. PATENT DOCUMENTS

D737,157 S *	8/2015	Akana	D10/70
D769,765 S	10/2016	Tao		
D784,345 S	4/2017	Kwon		
D802,587 S *	11/2017	Lee	D14/344
D828,352 S *	9/2018	Akana	D14/344
D866,350 S *	11/2019	Park	D14/344
D876,244 S *	2/2020	Park	D10/32
D887,406 S *	6/2020	Mao	D14/344
D889,459 S *	7/2020	Zhang	D14/344
D900,809 S *	11/2020	Gao	D14/344
D900,810 S *	11/2020	Ke	D14/344
D901,493 S *	11/2020	Gao	D14/344
D909,369 S *	2/2021	Wu	D14/344
D912,665 S *	3/2021	Zhang	D14/344

D914,678 S *	3/2021	Zheng	D14/344
D915,398 S *	4/2021	Yu	D14/344
D922,376 S *	6/2021	Zheng	D14/344
D926,753 S *	8/2021	Wu	D14/344
D927,484 S *	8/2021	Wu	D14/344
D928,148 S *	8/2021	Wu	D14/344
D934,860 S *	11/2021	King	D14/344
D935,453 S *	11/2021	Gao	D14/344
D936,650 S *	11/2021	Panneer Selvam	D14/344
D940,705 S *	1/2022	Lin	D14/344
D940,706 S *	1/2022	Wu	D14/344

(Continued)

OTHER PUBLICATIONS

Smart Watch—Sazooy Bluetooth Watch Support Make/Answer Phones Receive/View Messages, www.amazon.com, Feb. 18, 2018. <https://www.amazon.com/Smart-Watch-Bluetooth-Compatible-Pedometer/dp/B085Q3J6W9?th=1> (Year: 2018).*

(Continued)

Primary Examiner — Llorellys Martinez

Assistant Examiner — Kwabena A. Ankobiah

(57)

CLAIM

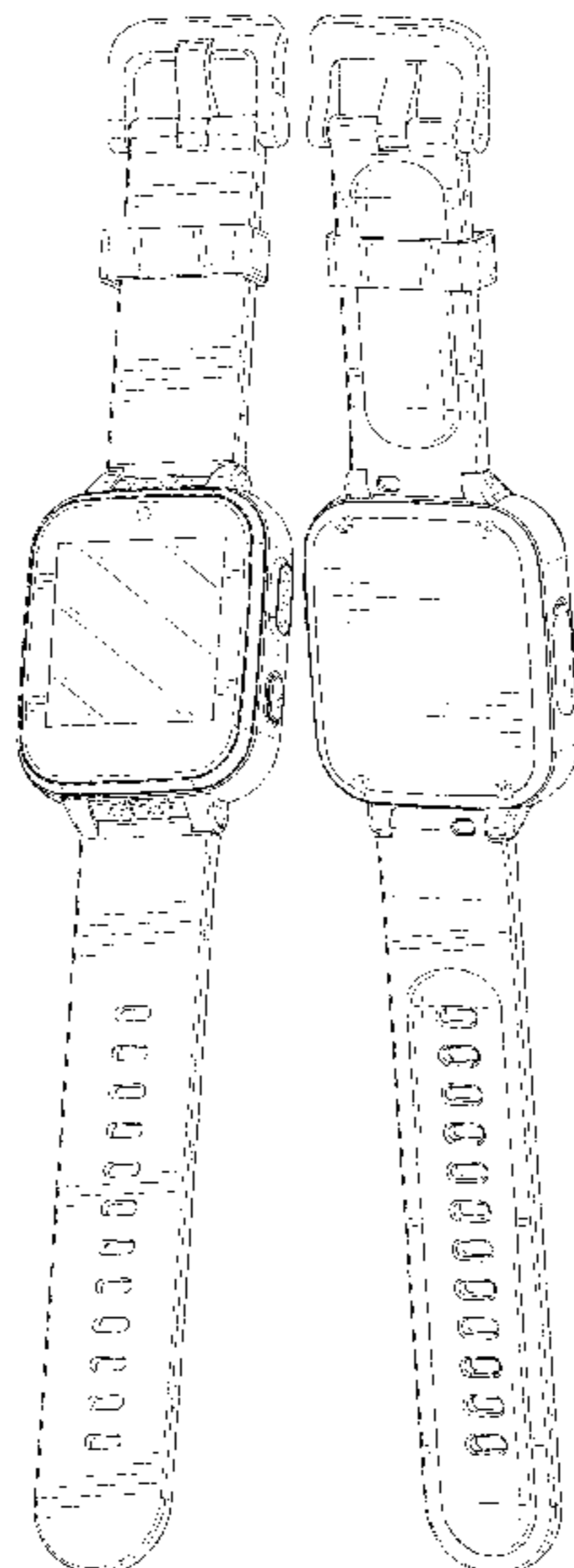
The ornamental design for a smart watch, as shown and described.

DESCRIPTION

FIG. 1 is a perspective view of a smart watch showing my new design;
FIG. 2 is another perspective view thereof;
FIG. 3 is a front elevational view thereof;
FIG. 4 is a rear elevational view thereof;
FIG. 5 is a left side elevational view thereof;
FIG. 6 is a right side elevational view thereof;
FIG. 7 is a top plan view thereof; and,
FIG. 8 is a bottom plan view thereof.

The broken lines in the drawings depict portions of the smart watch that form no part of the claimed design.

1 Claim, 8 Drawing Sheets



(56)

References Cited

U.S. PATENT DOCUMENTS

D951,108 S * 5/2022 Huang D14/344
D954,702 S * 6/2022 Park D14/344
D962,230 S * 8/2022 Gao D14/344
D962,231 S * 8/2022 Gao D14/344
D962,233 S * 8/2022 Gao D14/344

OTHER PUBLICATIONS

Kids Smart Watch, 4G WiFi GPS LBS Tracker, www.amazon.com, Aug. 12, 2020. <https://www.amazon.com/Emergency-Children-Smartwatches-Waterproof-Compatible/dp/B08FSV8BF1?th=1> (Year: 2020).*

Huawei Watch Fit Review | English | Best Smartwatch 2020 Android, www.youtube.com, Oct. 2, 2020. <https://www.youtube.com/watch?v=pbw5d5qwwYw> (Year: 2020).*

Amazfit GTS 2 Mini Smart Watch GPS Fitness Tracker for Men Women, www.amazon.com, Dec. 1, 2020. <https://www.amazon.com/Amazfit-Fitness-Super-Light-Measurement-Monitoring/dp/B08PCYKXV5> (Year: 2020).*

* cited by examiner

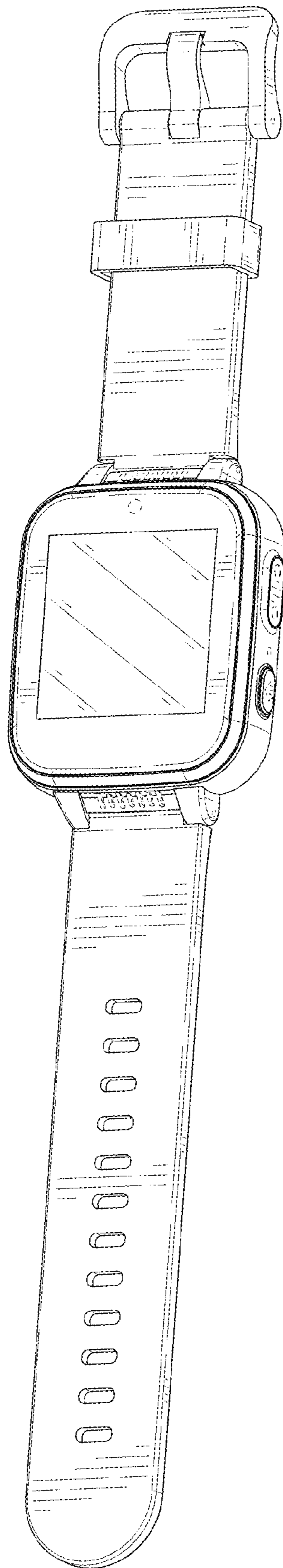


FIG. 1

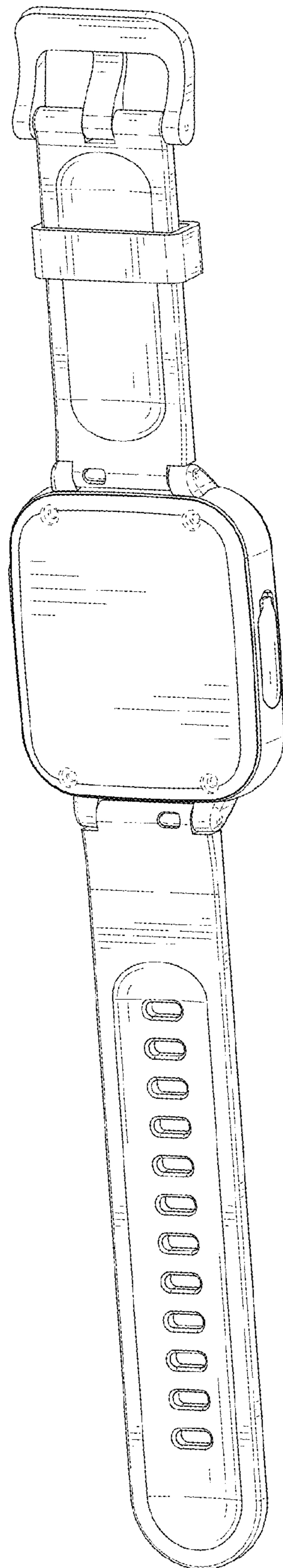


FIG. 2

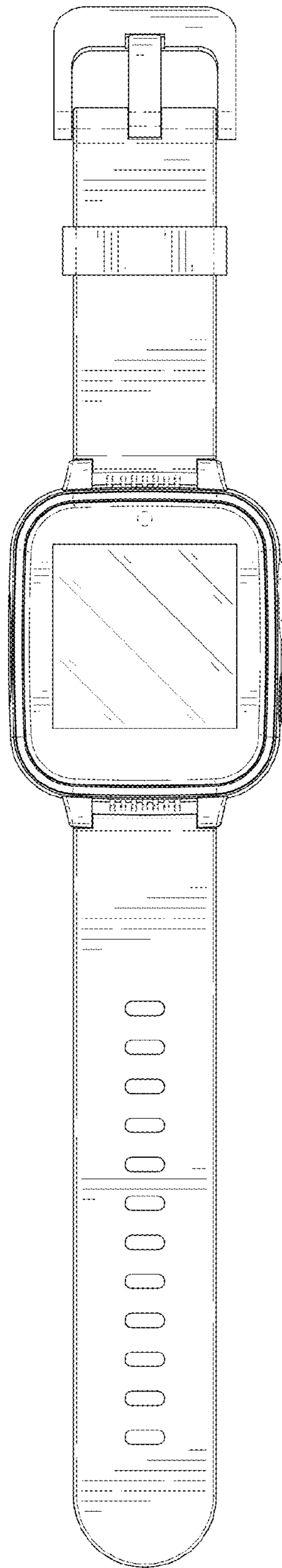


FIG. 3

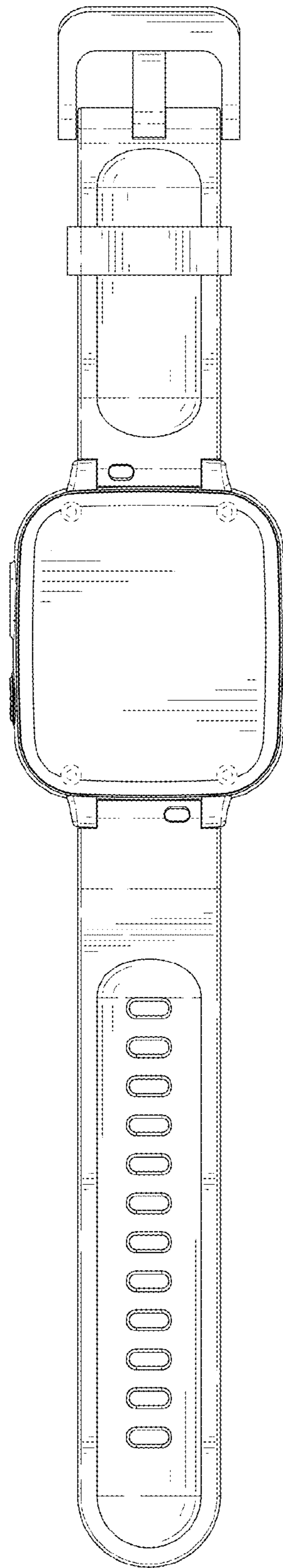


FIG. 4

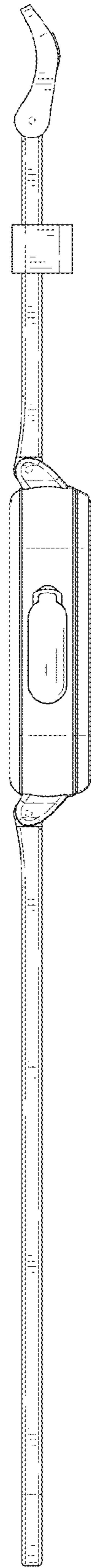


FIG. 5

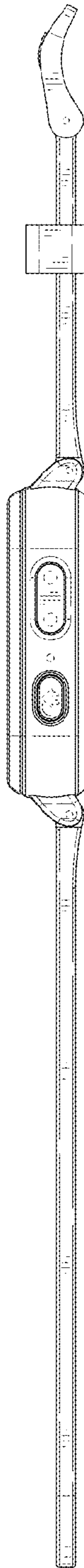


FIG. 6

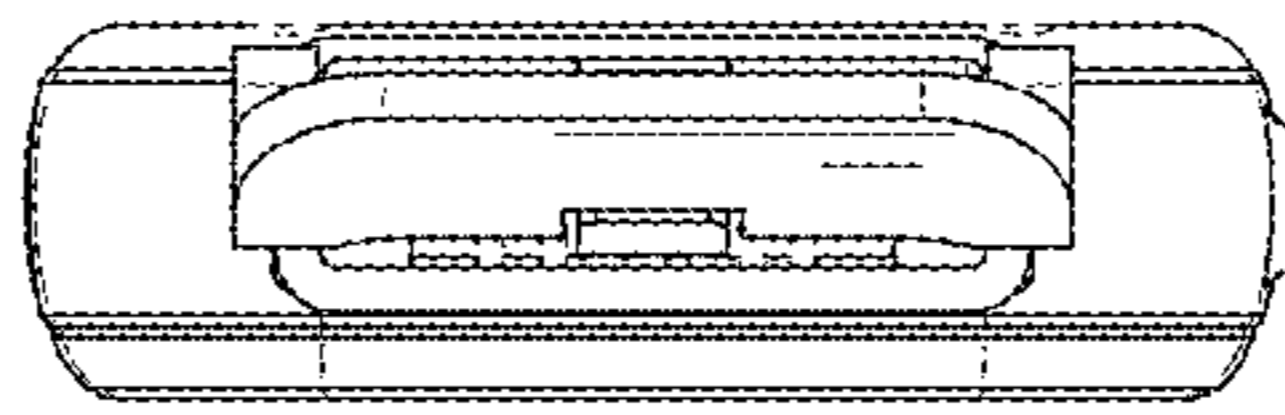


FIG. 7

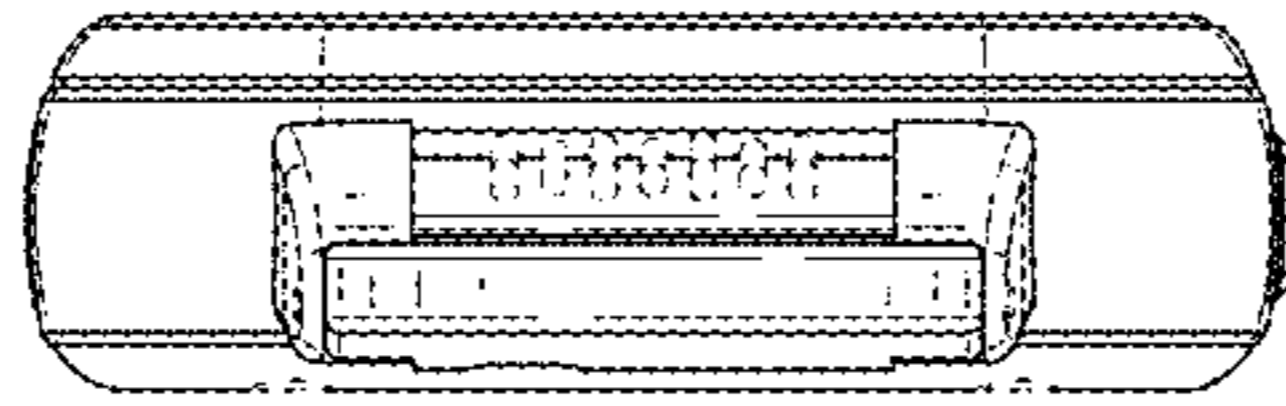


FIG. 8