



US00D971204S

(12) **United States Design Patent** (10) **Patent No.:** **US D971,204 S**  
**Wang** (45) **Date of Patent:** **\*\* Nov. 29, 2022**

(54) **MOBILE PHONE RING HOLDER**  
(71) Applicant: **Jiangfei Wang**, Dingxi (CN)  
(72) Inventor: **Jiangfei Wang**, Dingxi (CN)  
(\*\*) Term: **15 Years**  
(21) Appl. No.: **29/842,780**  
(22) Filed: **Jun. 15, 2022**

D931,847 S \* 9/2021 Min ..... D14/253  
D933,057 S \* 10/2021 Kim ..... D14/251  
11,265,035 B1 \* 3/2022 Zhang ..... H04M 1/04  
D954,039 S \* 6/2022 Liu ..... D14/253  
2016/0076692 A1 \* 3/2016 Sun ..... F16M 11/24  
248/461  
2016/0353867 A1 \* 12/2016 Due ..... A45F 5/10  
2017/0055660 A1 \* 3/2017 Tien ..... A45C 11/00  
2017/0135234 A1 \* 5/2017 Kim ..... F16M 13/04  
2018/0220782 A1 \* 8/2018 Mody ..... A45F 5/00  
2019/0208046 A1 \* 7/2019 Gluck ..... H04M 1/21  
2019/0230205 A1 \* 7/2019 Lee ..... H04B 1/3888  
2022/0045708 A1 \* 2/2022 You ..... H04B 1/3888  
2022/0117384 A1 \* 4/2022 Whitten ..... A45C 9/00

(30) **Foreign Application Priority Data**

Jan. 7, 2022 (CN) ..... 202230008442.6

(51) **LOC (13) Cl.** ..... **14-03**  
(52) **U.S. Cl.**  
USPC ..... **D14/253**; D3/218  
(58) **Field of Classification Search**  
USPC ..... D14/251-253, 447, 217, 250, 440;  
D3/218; D13/108  
CPC ..... A45C 2011/002; A45F 2200/0516; H04B  
2001/3861; H04M 1/04  
See application file for complete search history.

(56) **References Cited**

**U.S. PATENT DOCUMENTS**

D660,305 S \* 5/2012 Ho ..... D14/447  
8,950,715 B2 \* 2/2015 Chiu ..... F16M 13/022  
248/205.8  
D768,635 S \* 10/2016 Due ..... D14/432  
D855,048 S \* 7/2019 Kim ..... D14/253  
D855,049 S \* 7/2019 Kim ..... D14/253  
D866,546 S \* 11/2019 Stillwell ..... D14/251  
10,581,480 B1 \* 3/2020 Kim ..... A45F 5/00  
D885,376 S \* 5/2020 He ..... D3/218  
D887,132 S \* 6/2020 Puglisi ..... D3/249  
D888,066 S \* 6/2020 Wang ..... D14/451  
D904,386 S \* 12/2020 Luo ..... D3/218  
D905,014 S 12/2020 Friedman  
D906,328 S \* 12/2020 Kim ..... D14/253

**OTHER PUBLICATIONS**

Superone Mag Safe Phone Ring Holder, Amazon.com, Aug. 4, 2022. <<https://a.co/d/6jUmla1>> (Year: 2022).\*

\* cited by examiner

*Primary Examiner* — Janice Hallmark

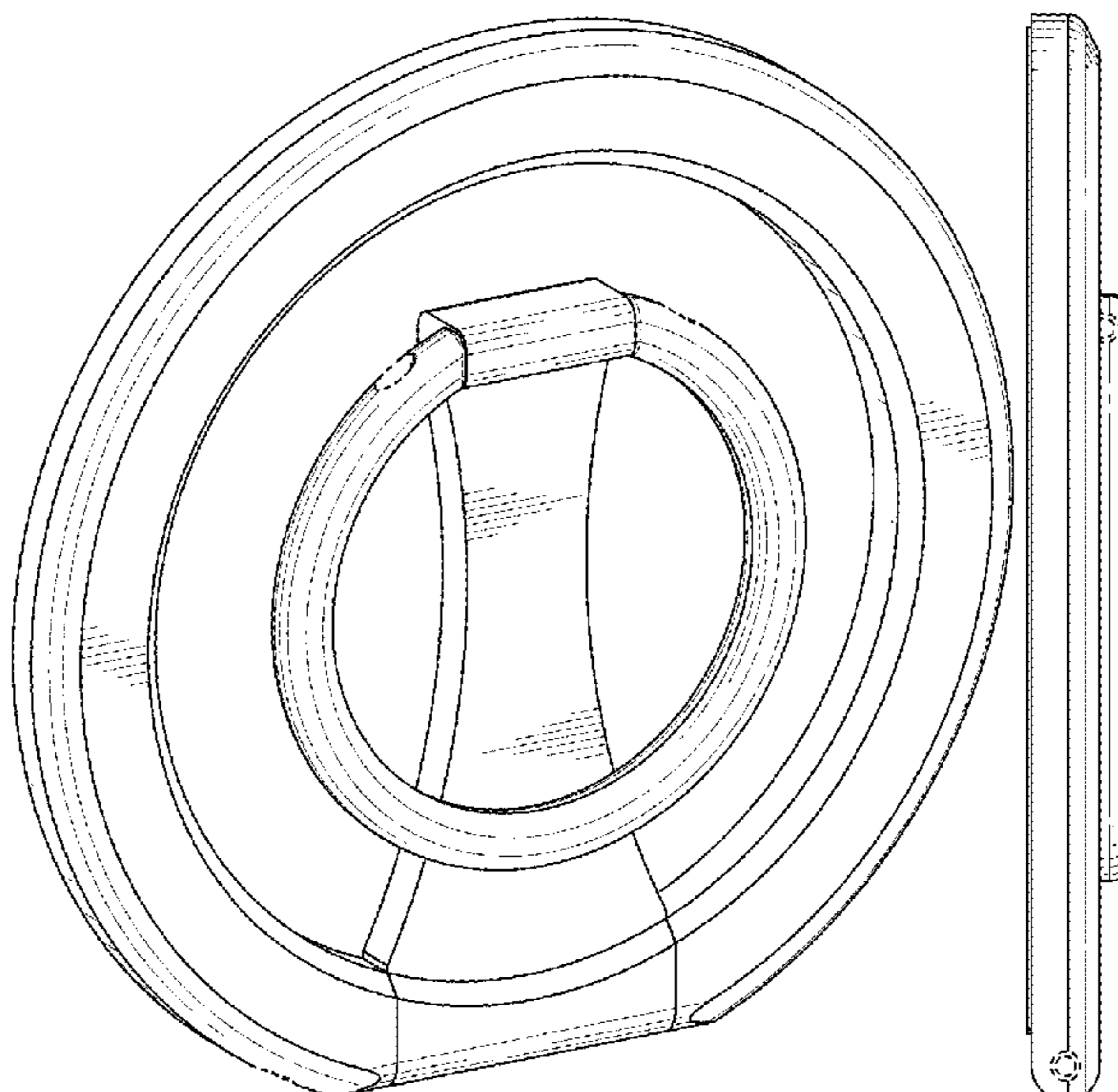
(57) **CLAIM**

The ornamental design for a mobile phone ring holder, as shown and described.

**DESCRIPTION**

FIG. 1 is a perspective view of a mobile phone ring holder showing my new design;  
FIG. 2 is another perspective view thereof;  
FIG. 3 is a front view thereof;  
FIG. 4 is a rear view thereof;  
FIG. 5 is a left side view thereof;  
FIG. 6 is a right side view thereof;  
FIG. 7 is a top plan view thereof; and,  
FIG. 8 is a bottom plan view thereof.  
The broken lines depict portions of the mobile phone ring holder and form no part of the claimed design.

**1 Claim, 8 Drawing Sheets**



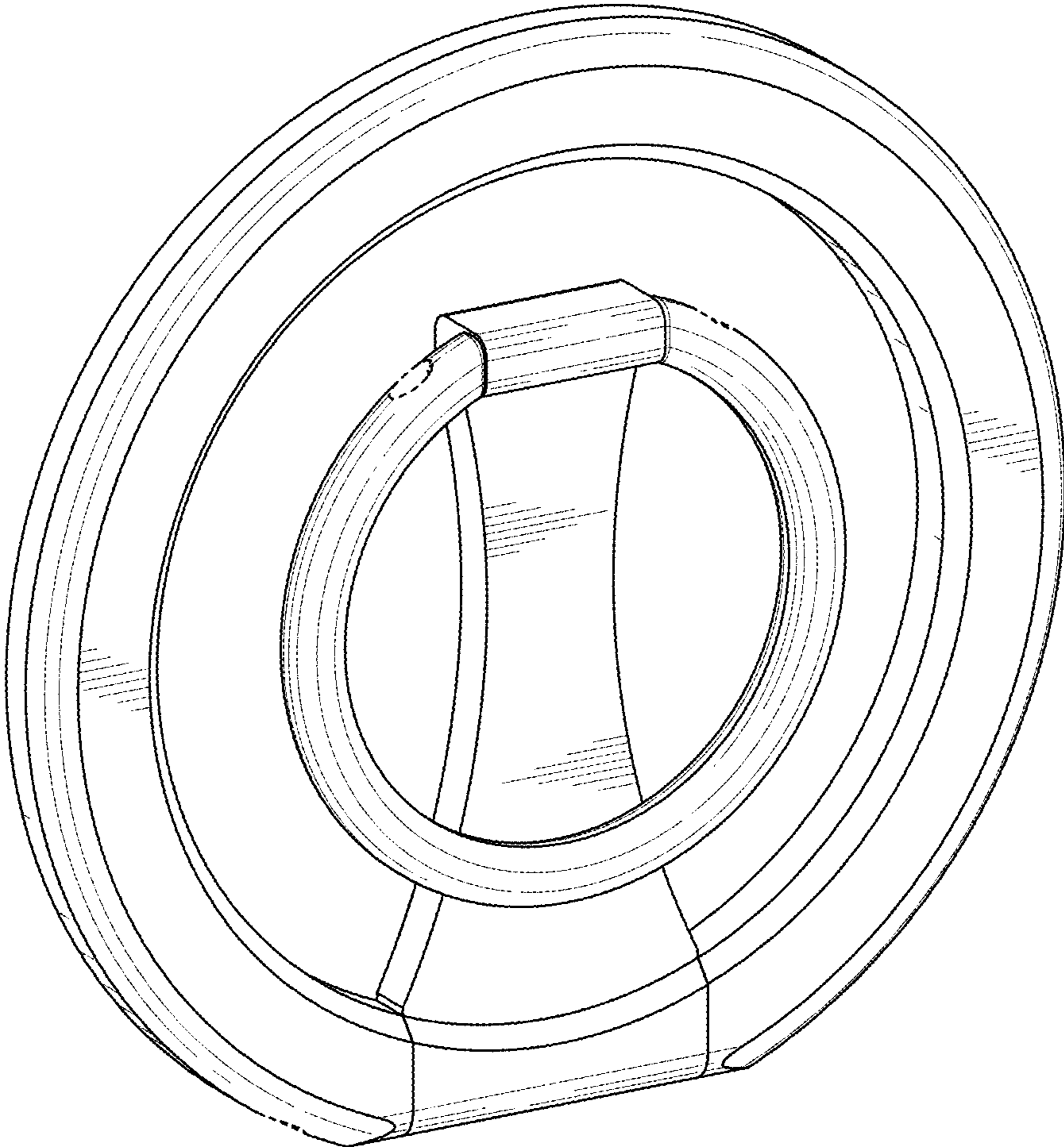


FIG. 1

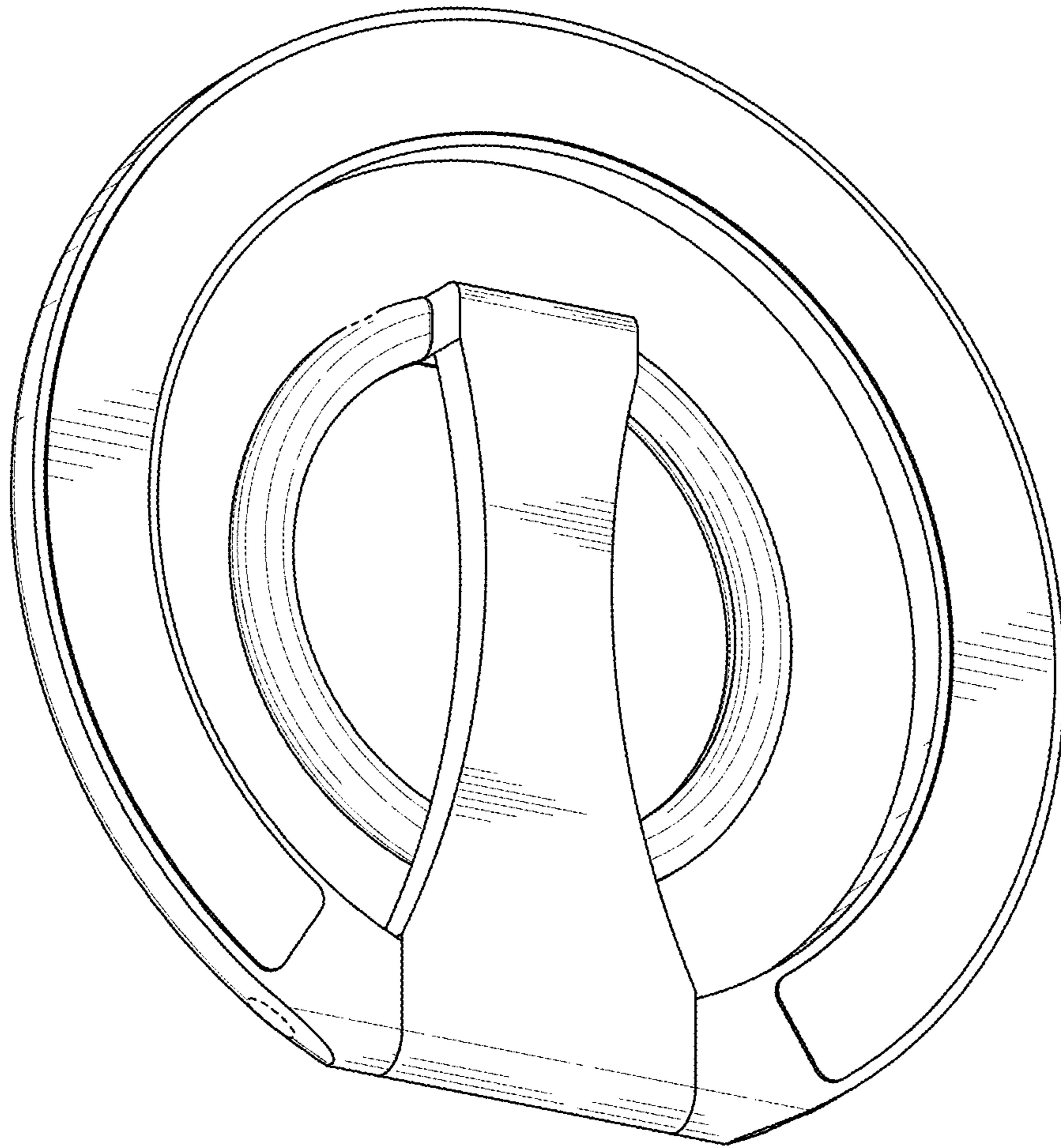


FIG. 2

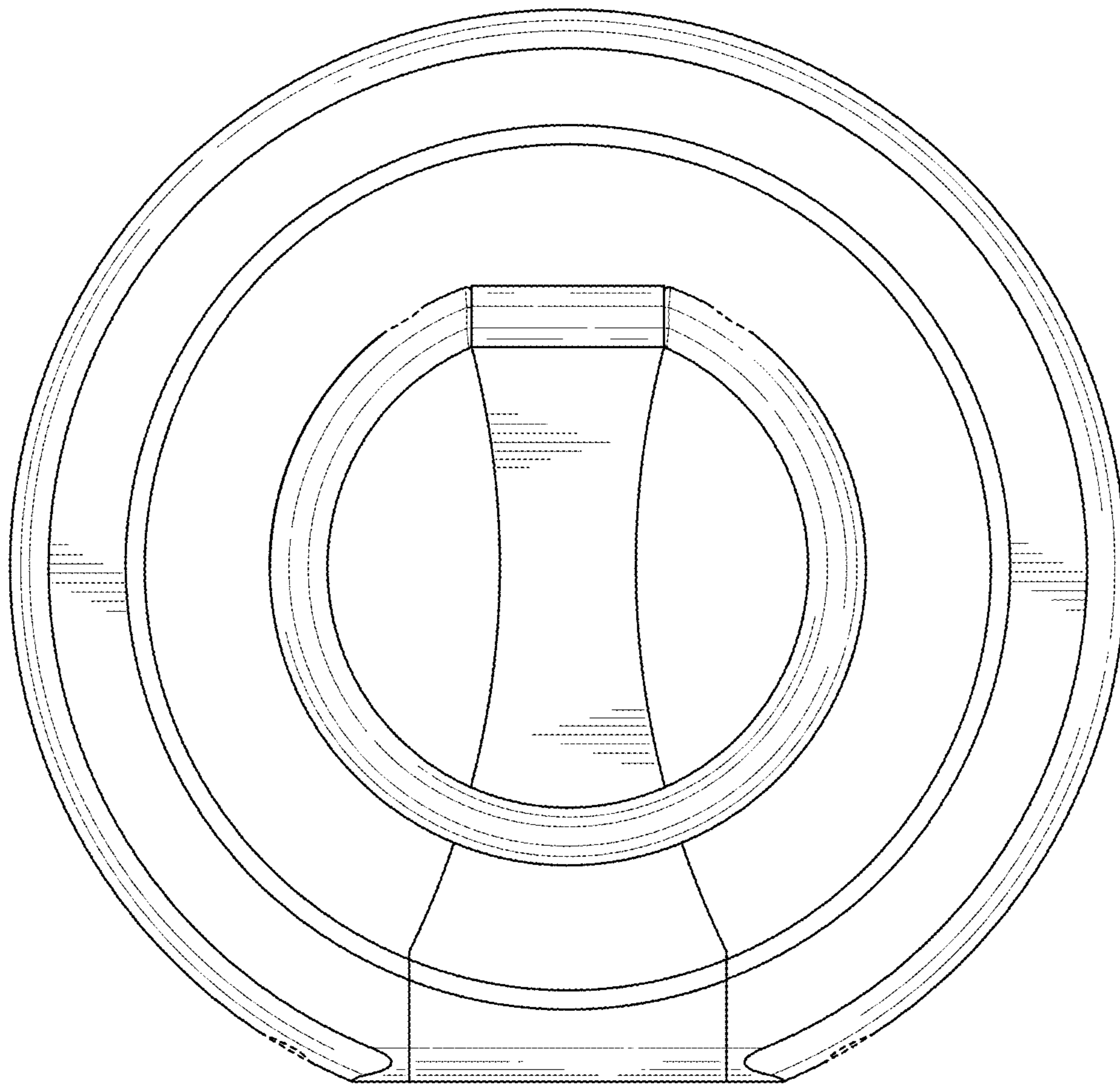


FIG. 3

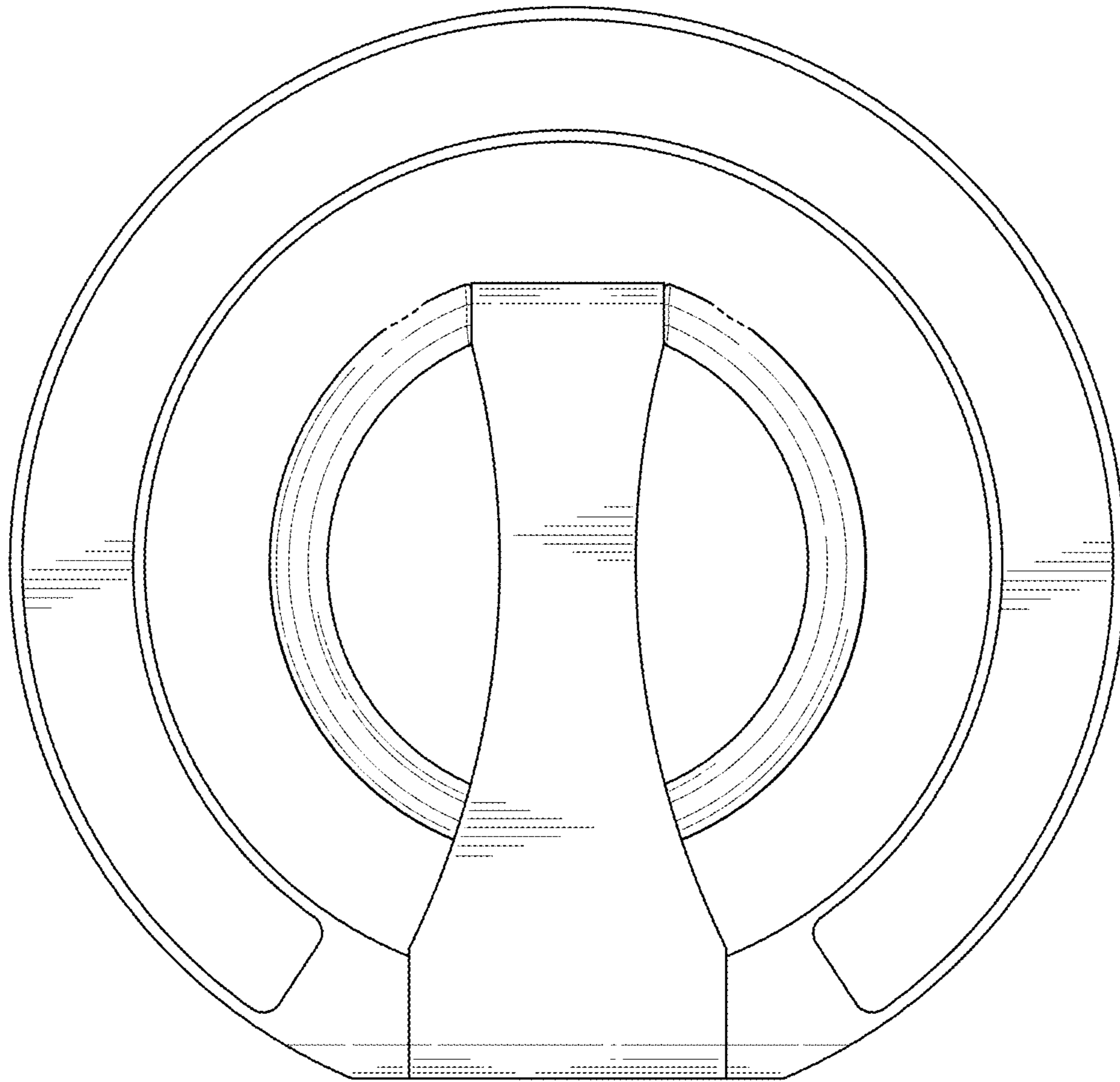


FIG. 4

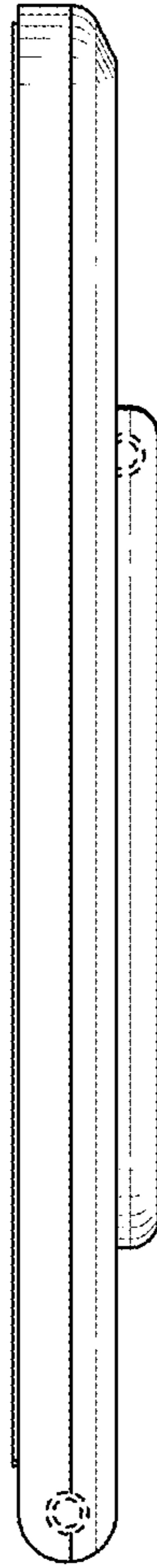


FIG. 5

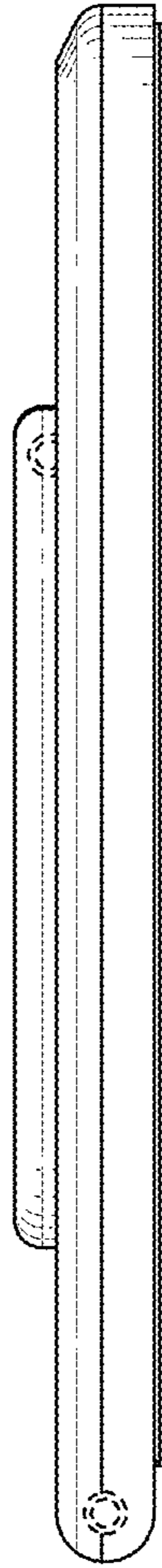


FIG. 6

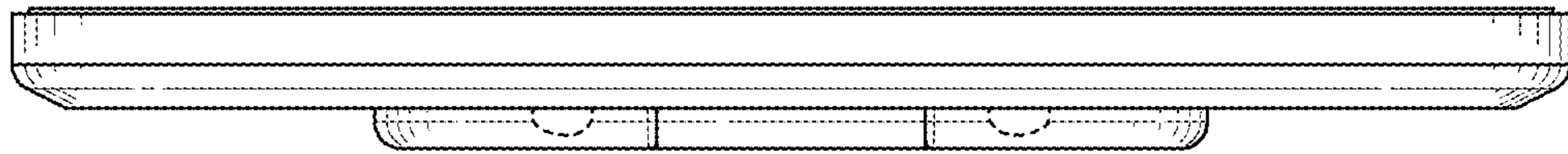


FIG. 7



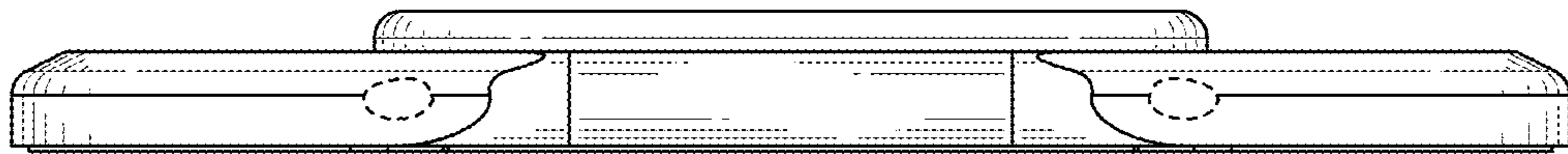


FIG. 8