



US00D971201S

(12) **United States Design Patent** (10) **Patent No.:** **US D971,201 S**
Yu (45) **Date of Patent:** **** Nov. 29, 2022**

(54) **STAND FOR ELECTRONIC DEVICE**

(71) Applicant: **Shenzhen Lanhe Technologies Co., Ltd.**, Shenzhen (CN)

(72) Inventor: **Jianshun Yu**, Guangdong (CN)

(73) Assignee: **SHENZHEN LANHE TECHNOLOGIES CO., LTD.**, Shenzhen (CN)

(**) Term: **15 Years**

(21) Appl. No.: **29/694,744**

(22) Filed: **Jun. 13, 2019**

(30) **Foreign Application Priority Data**

Dec. 18, 2018 (CN) 201830734780.1

(51) **LOC (13) Cl.** **14-03**

(52) **U.S. Cl.**
USPC **D14/253**

(58) **Field of Classification Search**
USPC D14/251-253, 447, 240, 239; D12/415
CPC H04M 1/11; H04M 1/06; H04M 1/12;
H04M 1/6075; H04M 1/724; A45F
2200/0516; A45F 2005/002
See application file for complete search history.

(56) **References Cited**

U.S. PATENT DOCUMENTS

D685,366 S *	7/2013	Ding	D14/253
D685,378 S *	7/2013	Deng	D14/447
D686,200 S *	7/2013	Huang	D14/253
D686,609 S *	7/2013	Kadivar	D14/253
D703,676 S *	4/2014	Smith	D14/447
D723,536 S *	3/2015	Werth	D14/253
D730,091 S *	5/2015	Chan	D6/681
D779,478 S *	2/2017	Justiss	D14/253

D779,479 S *	2/2017	Whitehead	D14/253
D829,217 S *	9/2018	Scholler	D14/447
D830,367 S *	10/2018	Chang	D14/440
D839,867 S *	2/2019	Zhao	D14/253
D839,869 S *	2/2019	Wang	D14/447
D863,291 S *	10/2019	Shi	D14/253
D879,765 S *	3/2020	Zhang	D14/253
D908,688 S *	1/2021	Zhang	D14/253
D912,654 S *	3/2021	Weng	D14/253
D929,393 S *	8/2021	Chen	D14/253
2010/0213331 A1 *	8/2010	Liou	F16M 11/2021 248/176.3

* cited by examiner

Primary Examiner — Janice Hallmark

(74) *Attorney, Agent, or Firm* — Andrew C. Cheng

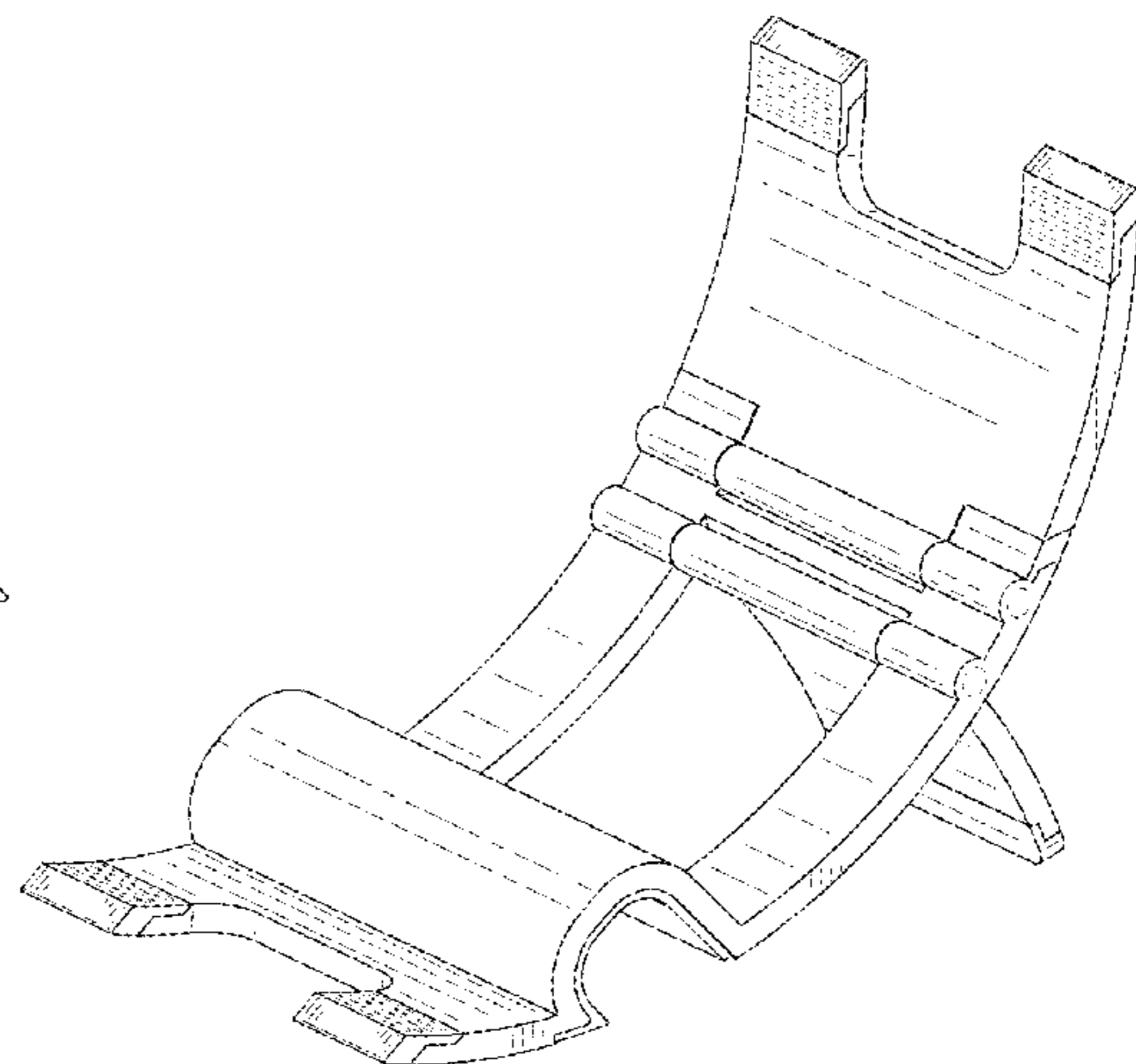
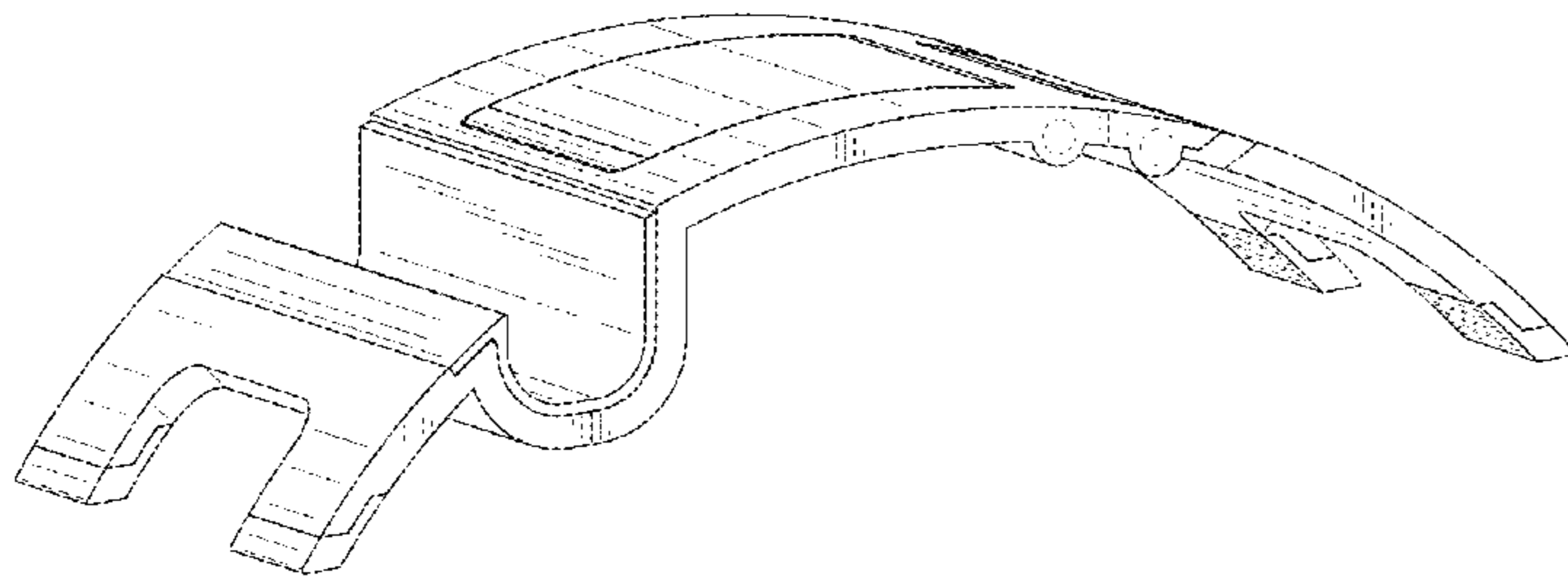
(57) **CLAIM**

I claim the ornamental design for a stand for electronic device, as shown and described.

DESCRIPTION

FIG. 1 is a front, right and top perspective view of a stand for electronic device showing new design;
 FIG. 2 is a rear, right and bottom perspective view thereof;
 FIG. 3 is a front view thereof;
 FIG. 4 is a rear view thereof;
 FIG. 5 is a left side view thereof;
 FIG. 6 is a right side view thereof;
 FIG. 7 is a top view thereof;
 FIG. 8 is a bottom view thereof;
 FIG. 9 is a perspective view thereof, showing the stand in a state of use.
 FIG. 10 is a perspective view thereof, showing the stand in another state of use; and,
 FIG. 11 is a perspective view thereof, showing the stand in still another state of use.
 The broken lines depict portions of the stand for electronic device that form no part of the claimed design.

1 Claim, 11 Drawing Sheets



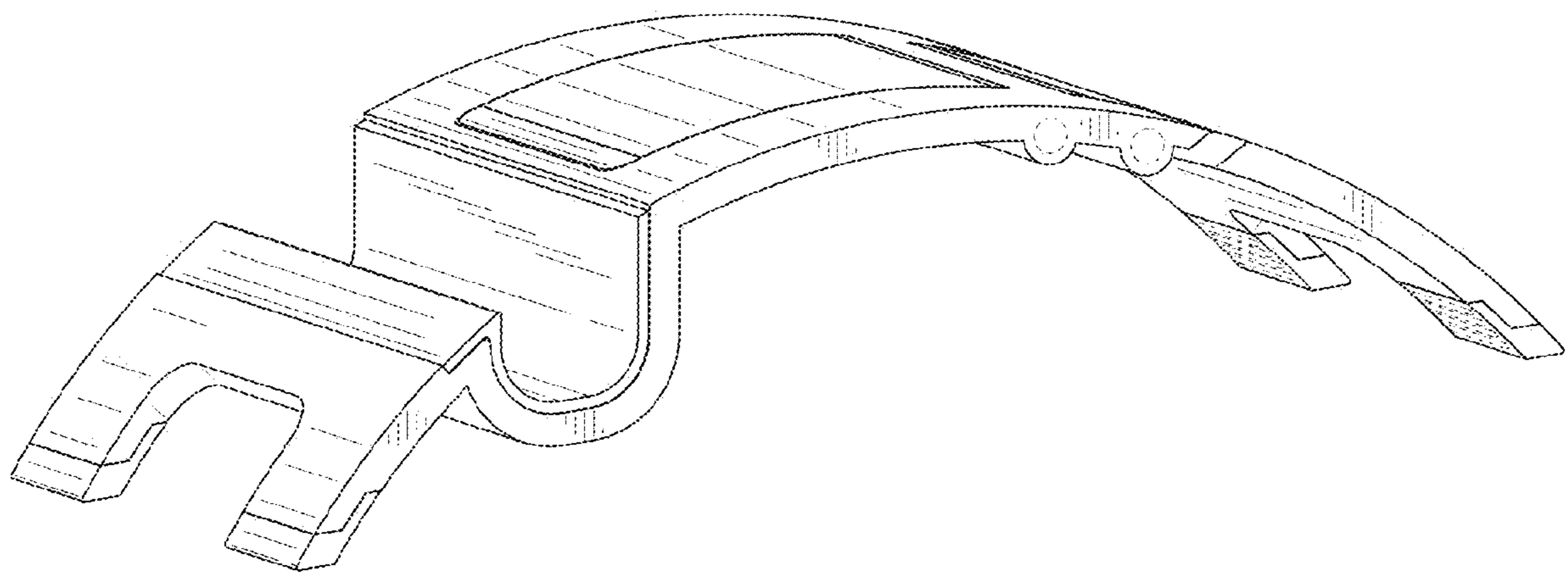


FIG. 1

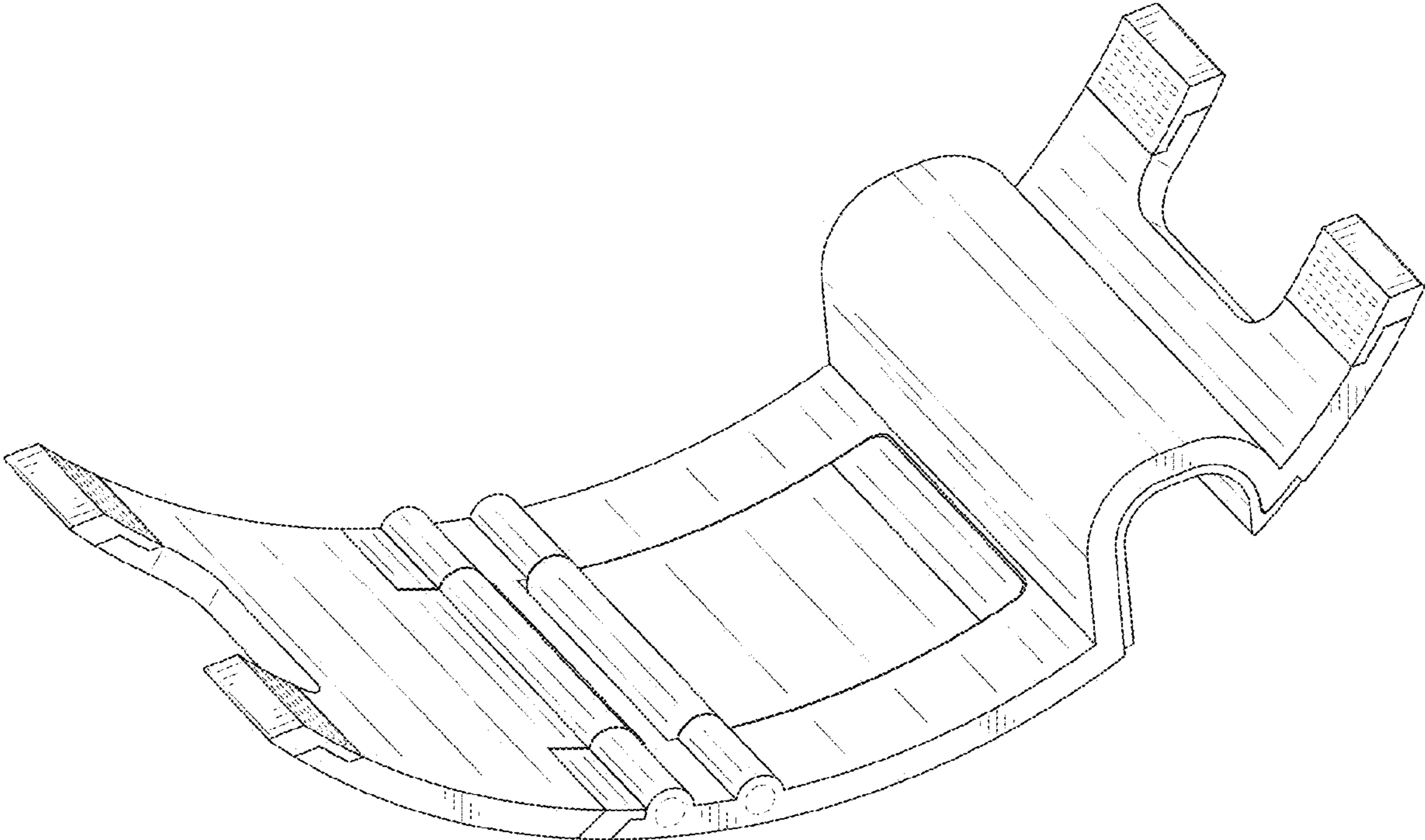


FIG. 2

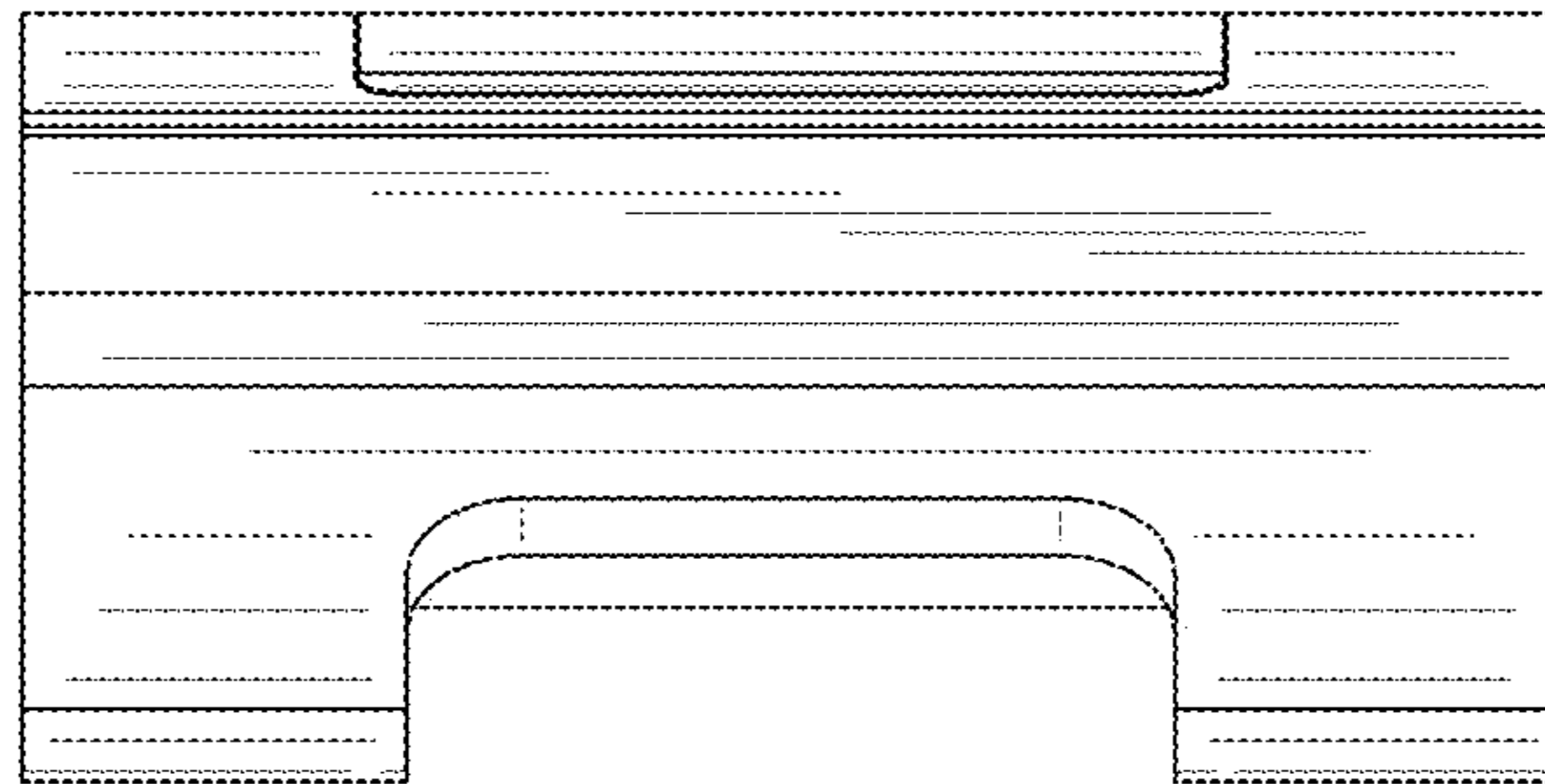


FIG. 3

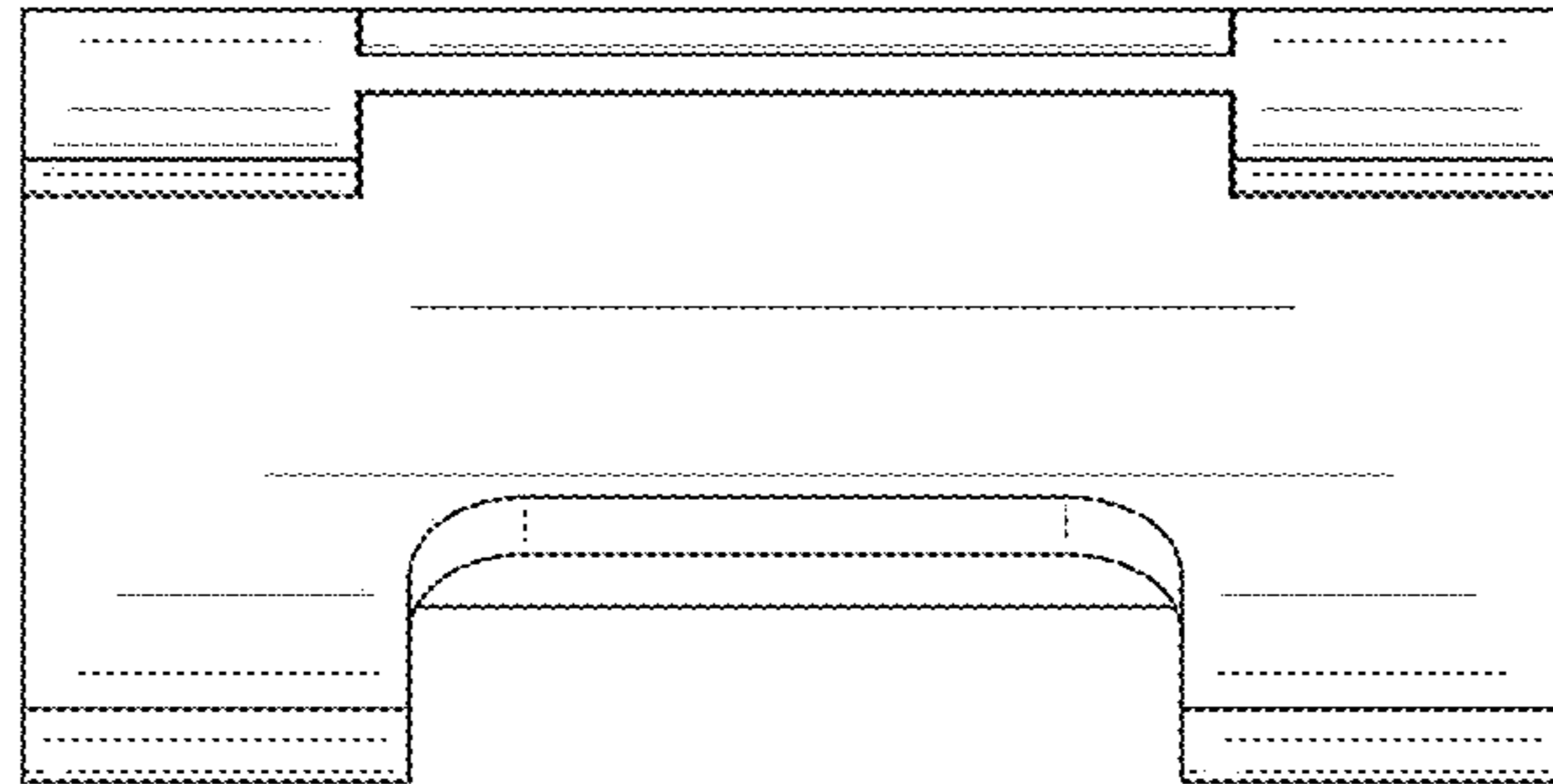


FIG. 4

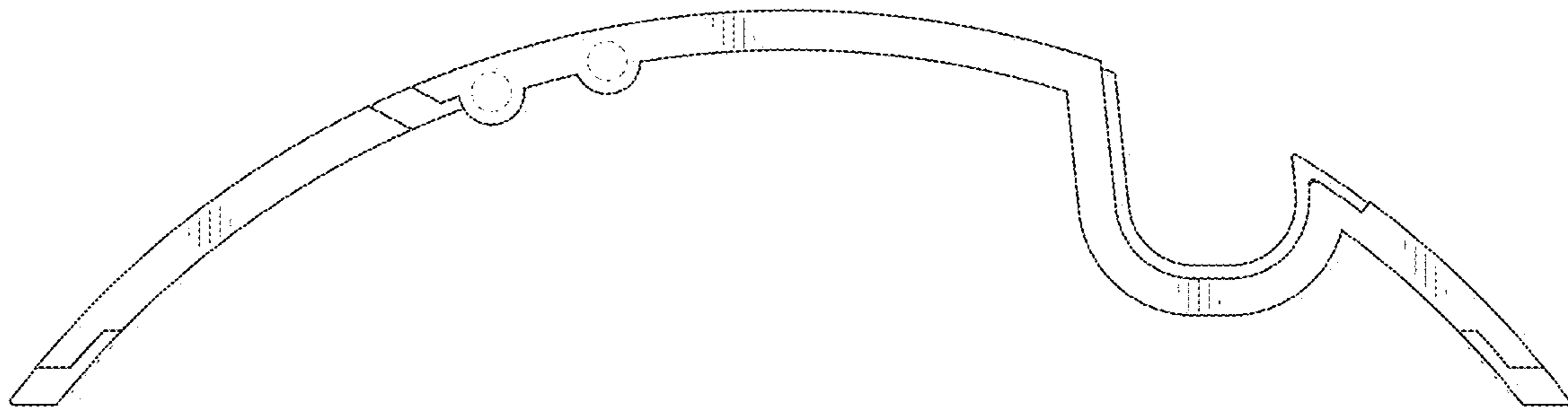


FIG. 5

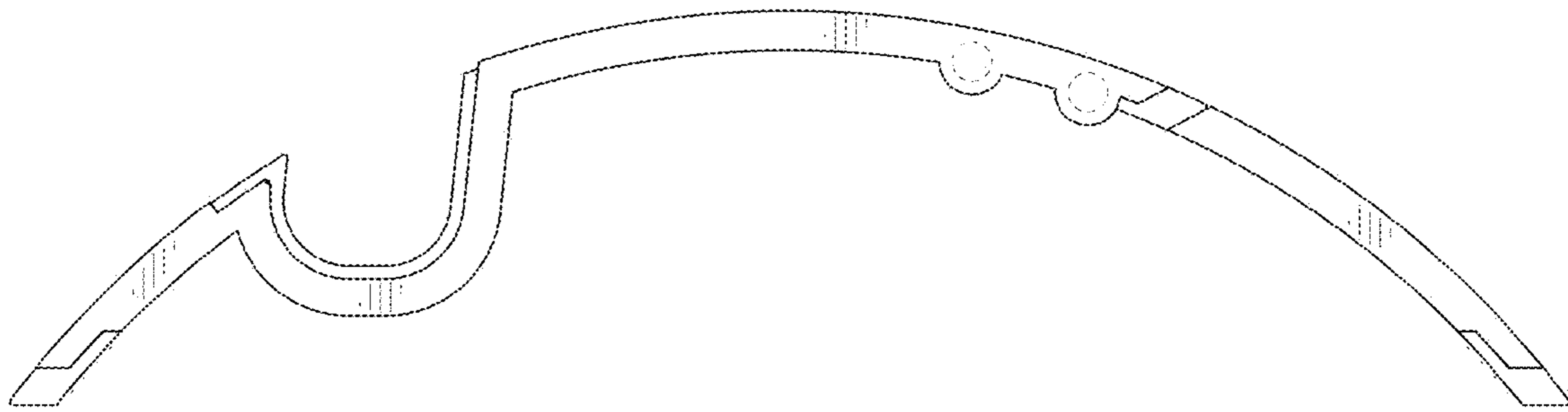


FIG. 6

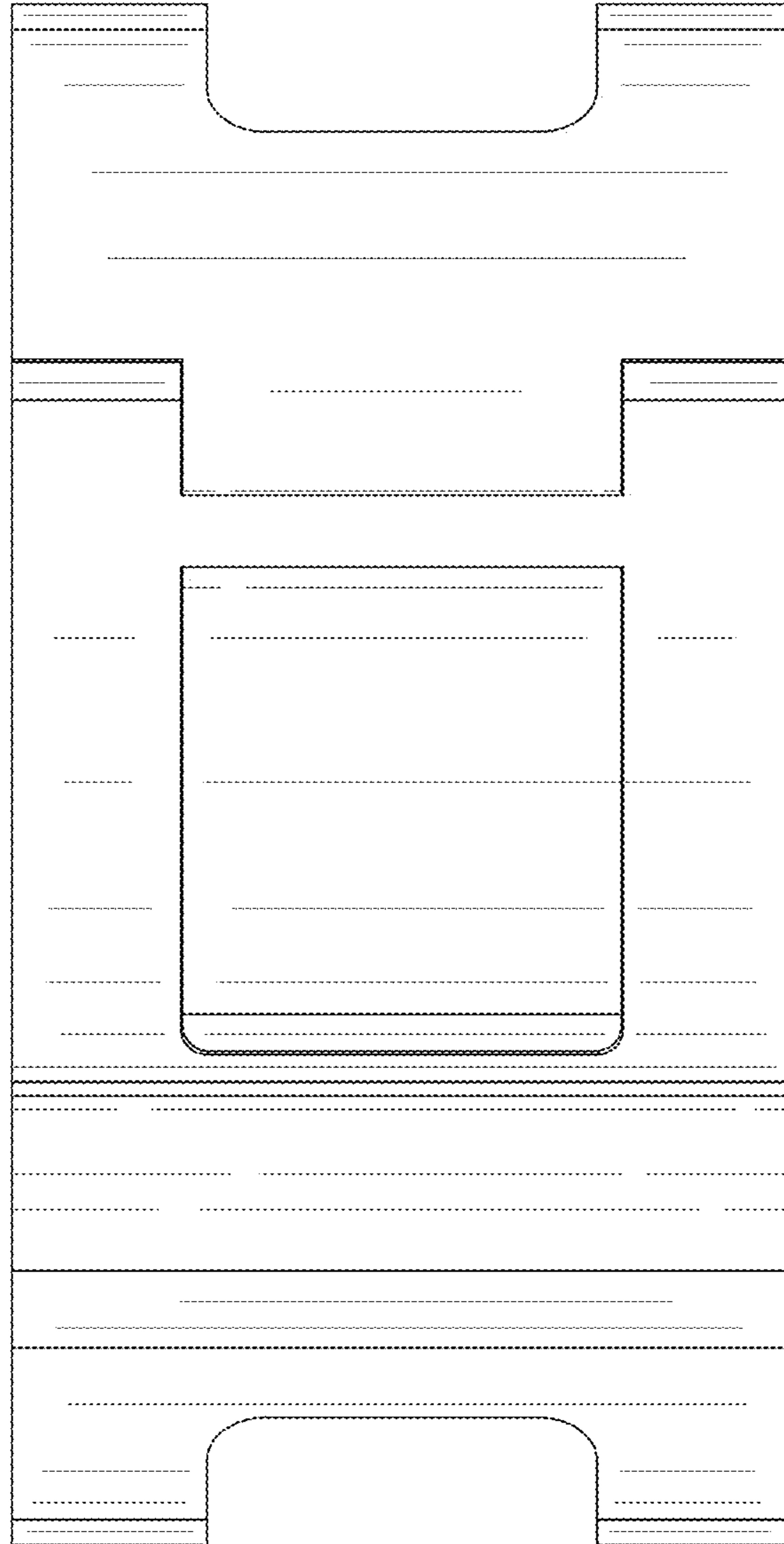


FIG. 7

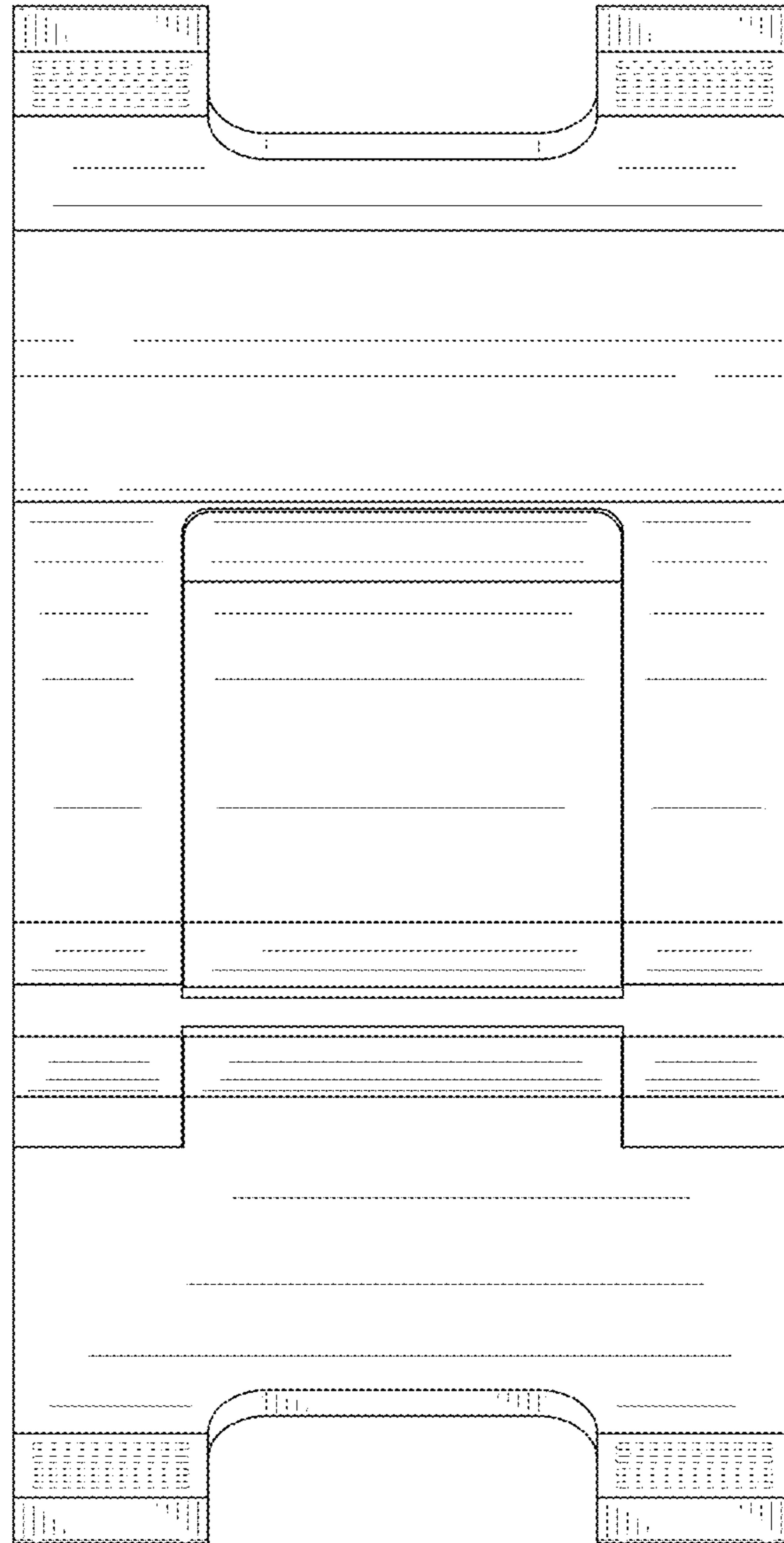


FIG. 8

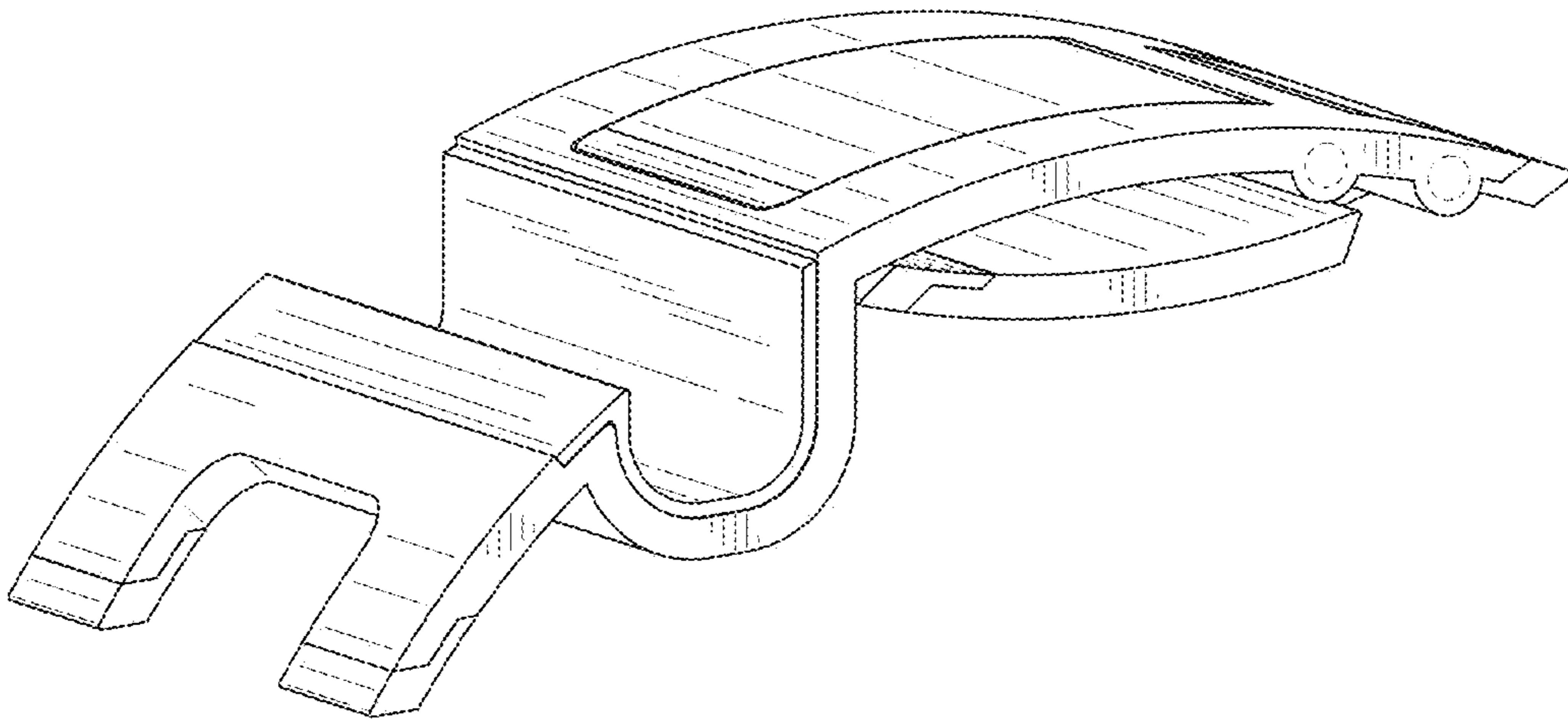


FIG. 9

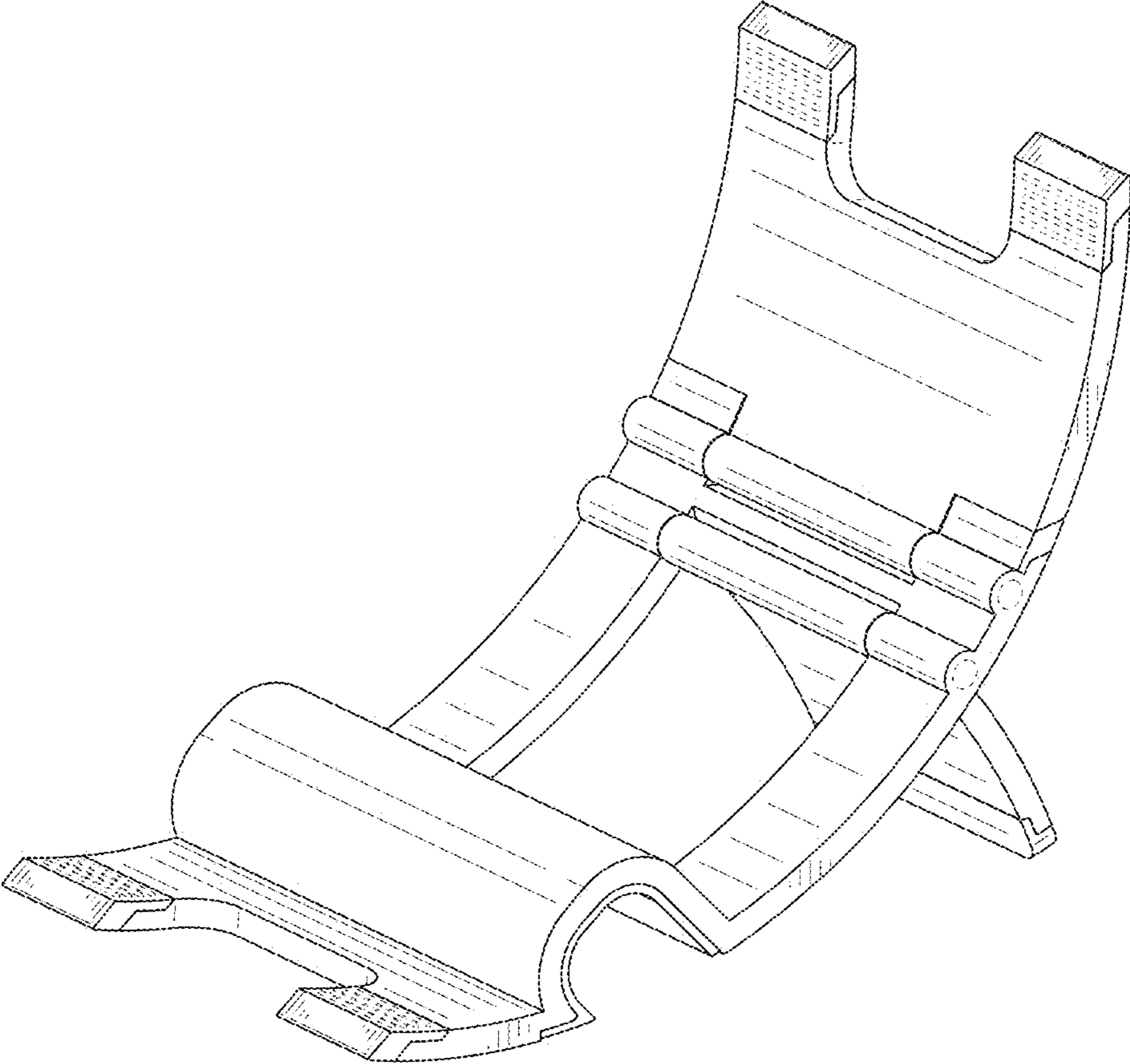


FIG. 10

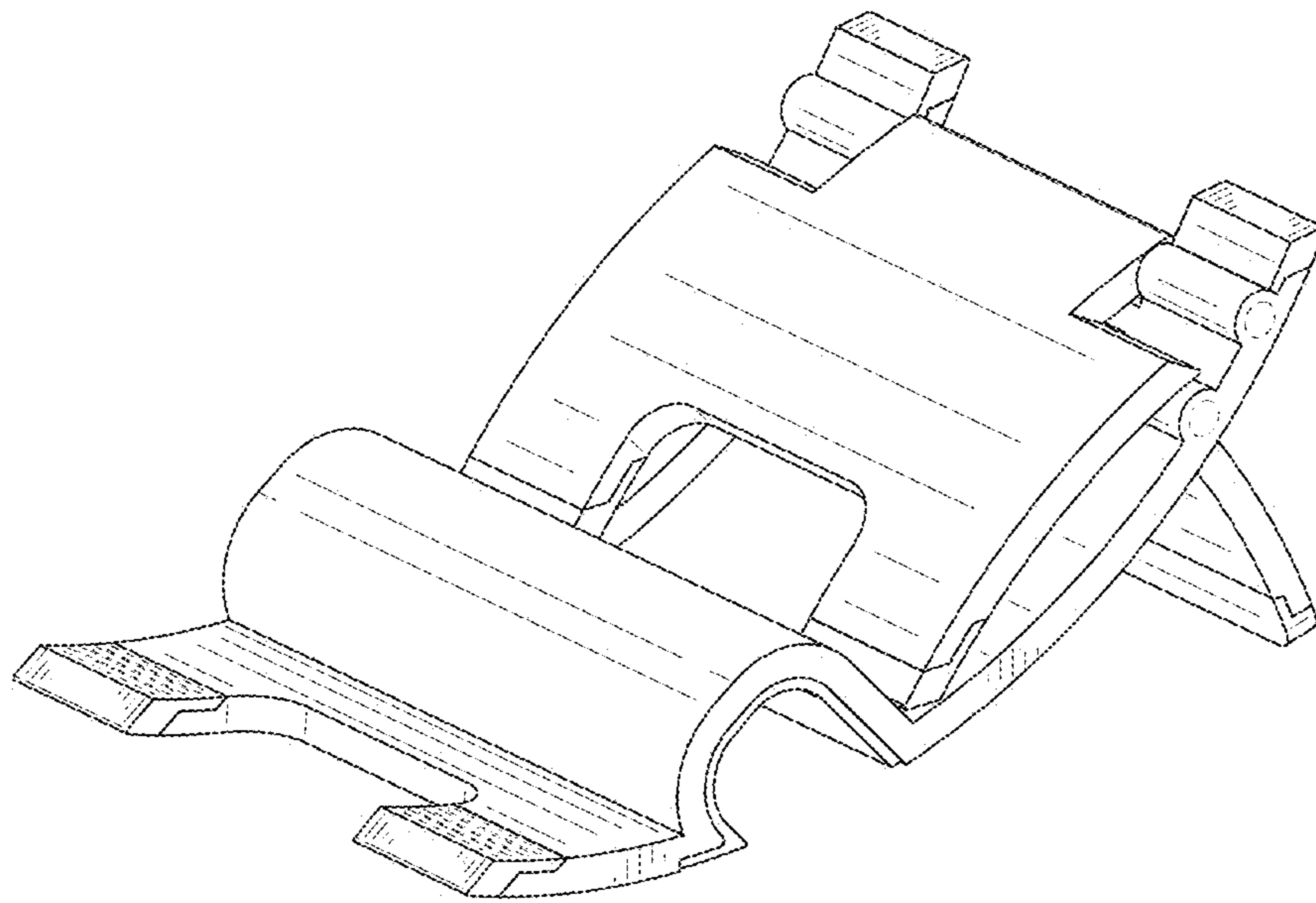


FIG. 11