



US00D971197S

(12) **United States Design Patent** (10) **Patent No.:** **US D971,197 S**  
**Song et al.** (45) **Date of Patent:** **\*\* Nov. 29, 2022**

(54) **ELECTRONIC DEVICE**

D842,834 S \* 3/2019 Seo ..... D14/345  
D902,878 S \* 11/2020 Kim ..... D14/138 AB  
D902,898 S \* 11/2020 Seo ..... D14/248

(71) Applicant: **Samsung Electronics Co., Ltd.**,  
Suwon-si (KR)

(Continued)

(72) Inventors: **Junyong Song**, Suwon-si (KR);  
**Byoungjin Kim**, Suwon-si (KR);  
**Woohyeok Jeong**, Suwon-si (KR);  
**Eunsoo Kim**, Suwon-si (KR);  
**Junghyun Choi**, Suwon-si (KR)

FOREIGN PATENT DOCUMENTS

CN 305836461 \* 6/2020  
CN 306368126 \* 3/2021

(73) Assignee: **SAMSUNG ELECTRONICS CO., LTD.**,  
Suwon-si (KR)

OTHER PUBLICATIONS

Galaxy Fold 2 rumor-based renders, www.gsmarena.com, Mar. 27,  
2020. [https://www.gsmarena.com/galaxy\\_fold\\_2\\_rumorbased\\_renders\\_surface\\_reveal\\_familiar\\_but\\_improved\\_design-news-42262.php](https://www.gsmarena.com/galaxy_fold_2_rumorbased_renders_surface_reveal_familiar_but_improved_design-news-42262.php) (Year: 2020).\*

(Continued)

(\*\*) Term: **15 Years**

*Primary Examiner* — Llorellys Martinez  
*Assistant Examiner* — Kwabena A. Ankobiah  
(74) *Attorney, Agent, or Firm* — McAndrews Held & Malloy, Ltd.

(21) Appl. No.: **29/748,772**

(22) Filed: **Sep. 1, 2020**

(30) **Foreign Application Priority Data**

Apr. 27, 2020 (KR) ..... 30-2020-0018529

(51) **LOC (13) Cl.** ..... **14-03**

(52) **U.S. Cl.**  
USPC ..... **D14/248**

(58) **Field of Classification Search**  
USPC ..... D14/345, 348, 426, 439, 496, 138 R,  
D14/138 AA, 138 AB, 138 AC, 138 AD,  
D14/138 C, 138 G, 203.1, 203.3, 203.4,  
D14/203.7, 299; D10/50; D19/26, 32;  
D21/324  
CPC ..... G06F 3/041; G06F 3/0412; G06F 3/0488;  
G06F 3/04883; G06F 1/1613; G06F  
1/1626; G06F 1/1686; G06F 1/1692;  
G06F 2200/1633; H04M 1/0283; H04M  
1/0273; H04M 1/0202; H04M 1/0266;  
H04M 1/027

See application file for complete search history.

(56) **References Cited**

U.S. PATENT DOCUMENTS

D840,394 S \* 2/2019 Son ..... D14/345  
D841,646 S \* 2/2019 Son ..... B32B 17/10  
D14/345

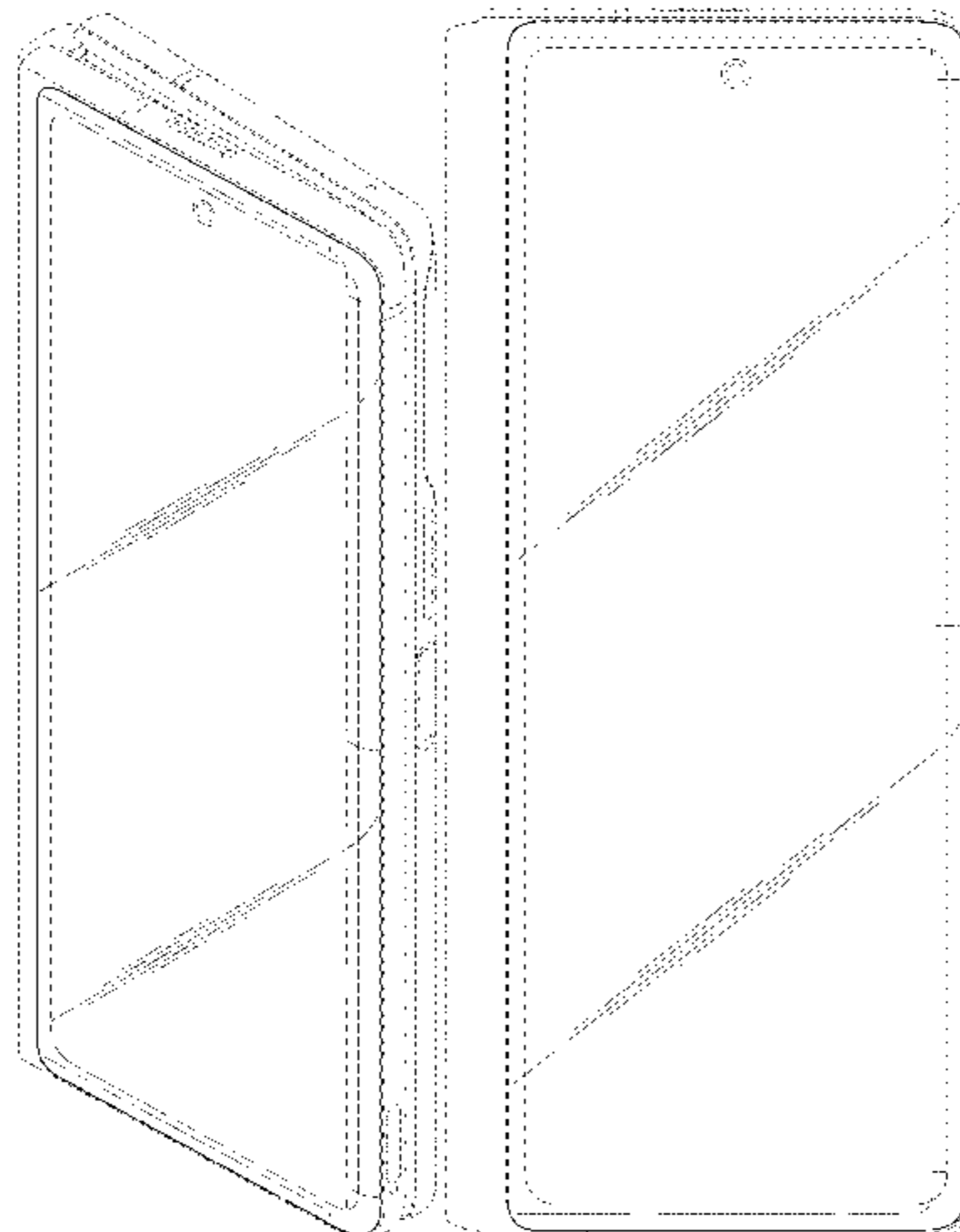
(57) **CLAIM**

The ornamental design for an electronic device, as shown and described.

**DESCRIPTION**

FIG. 1 is a front perspective view of an electronic device showing our new design;  
FIG. 2 is a front elevation view thereof;  
FIG. 3 is a rear elevation view thereof;  
FIG. 4 is a left side elevation view thereof;  
FIG. 5 is a right side elevation view thereof;  
FIG. 6 is a top plan view thereof; and,  
FIG. 7 is a bottom plan view thereof.  
The broken lines in the figures illustrate portions of the electronic device that form no part of the claimed design.

**1 Claim, 5 Drawing Sheets**



(56)

**References Cited**

U.S. PATENT DOCUMENTS

D902,901 S \* 11/2020 Kim ..... D14/248  
D902,902 S \* 11/2020 Kim ..... D14/248  
D902,903 S \* 11/2020 Kim ..... D14/248  
D902,904 S \* 11/2020 Kim ..... D14/248  
D903,621 S \* 12/2020 Kim ..... D14/138 AB  
D904,367 S \* 12/2020 Seo ..... D14/248  
D907,616 S \* 1/2021 Kim ..... D14/248  
D915,337 S \* 4/2021 Lee ..... D14/138 AD  
D915,385 S \* 4/2021 Lee ..... D14/250  
D918,885 S \* 5/2021 Kim ..... D14/248  
D920,272 S \* 5/2021 Lee ..... D14/138 AB  
D930,609 S \* 9/2021 Chen ..... D14/138 AB  
D931,846 S \* 9/2021 Lee ..... D14/250  
D943,543 S \* 2/2022 Zhang ..... D14/138 AB  
D948,515 S \* 4/2022 Jeon ..... D14/440  
D948,516 S \* 4/2022 Jeon ..... D14/440  
D948,517 S \* 4/2022 Jeon ..... D14/440  
D948,518 S \* 4/2022 Jeon ..... D14/440  
D951,896 S \* 5/2022 Kim ..... D14/138 AB  
2020/0310494 A1 \* 10/2020 Ahn ..... B32B 17/10

OTHER PUBLICATIONS

Amid Leaks and Rumors, [www.yankodesign.com](http://www.yankodesign.com), Apr. 23, 2020.  
<https://www.yankodesign.com/2020/04/23/amid-leaks-and-rumors-samsungs-new-galaxy-fold-2-begins-taking-shape/> (Year: 2020).\*

\* cited by examiner

FIG. 1

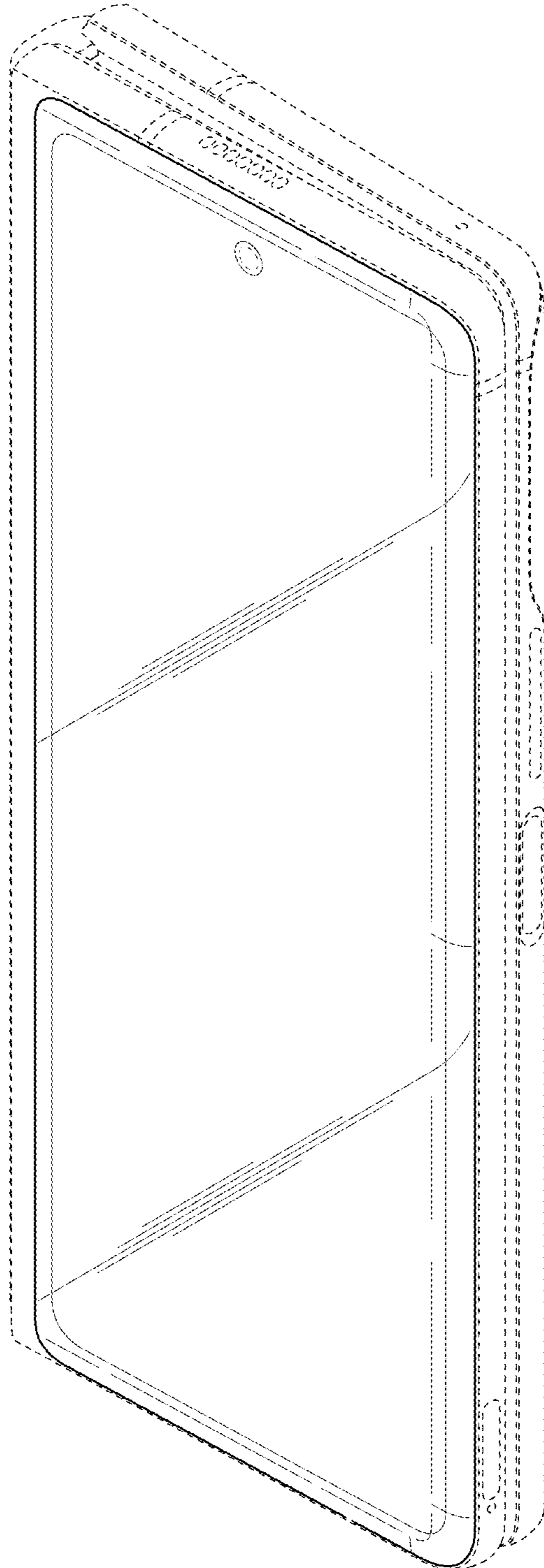


FIG. 2

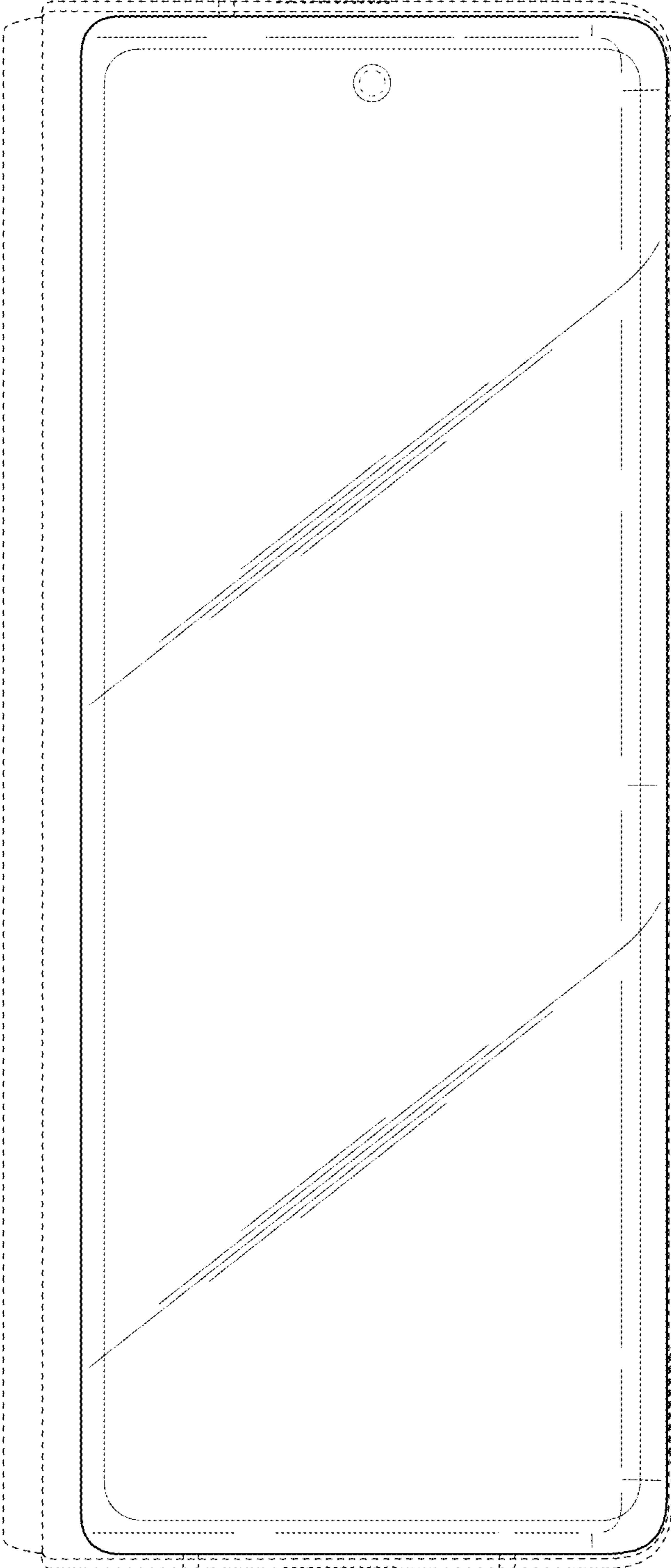


FIG. 3

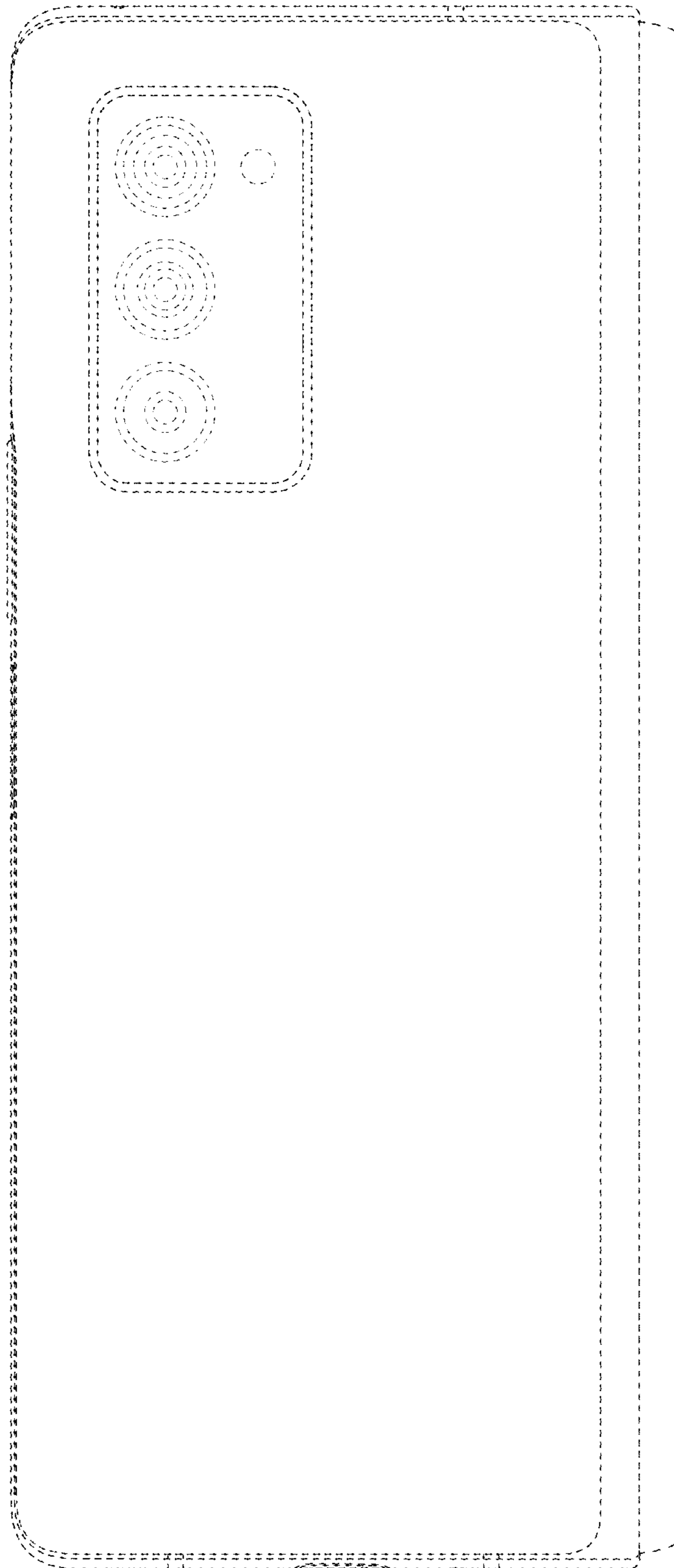


FIG. 4

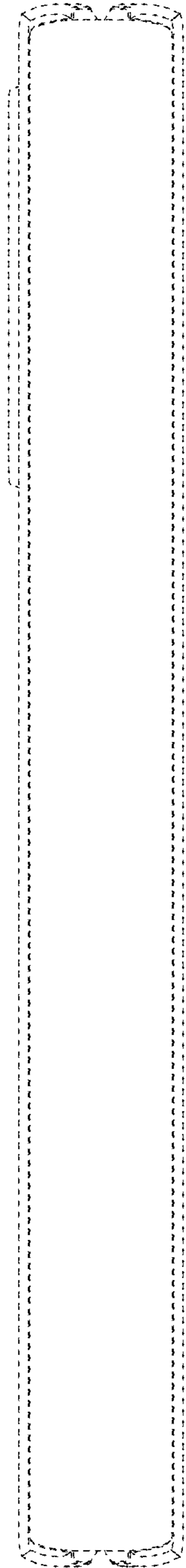


FIG. 5

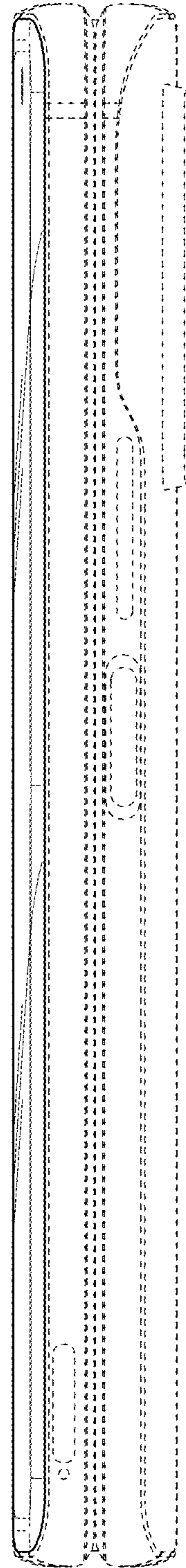


FIG. 6

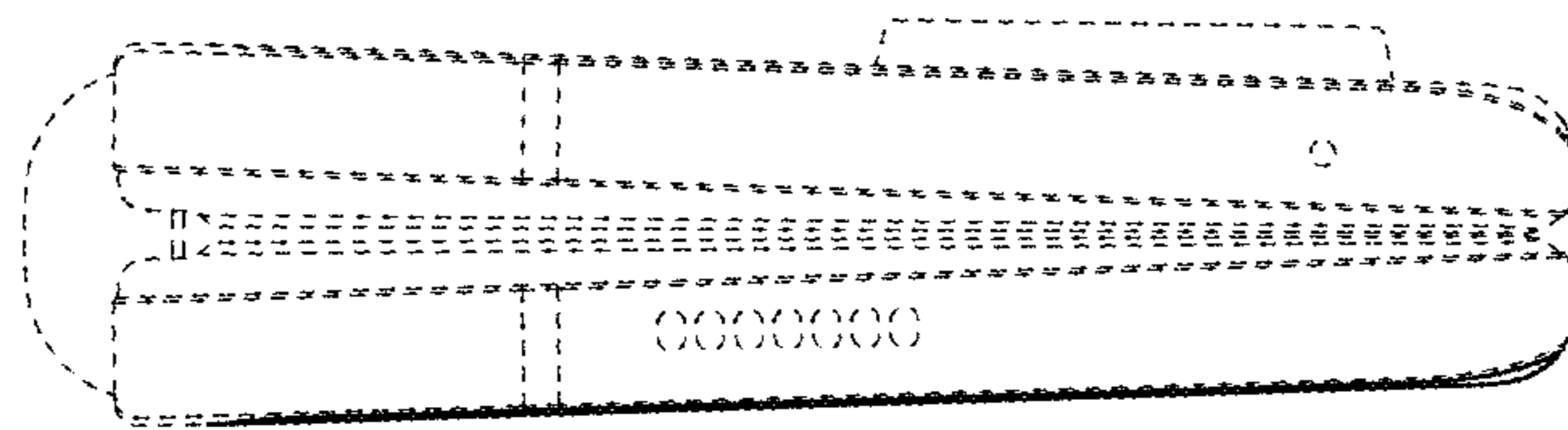


FIG. 7

