



US00D971193S

(12) **United States Design Patent** (10) **Patent No.:** **US D971,193 S**
Huang (45) **Date of Patent:** **** Nov. 29, 2022**

(54) **PROMPTER**

(71) Applicant: **Shenzhen Xingyingda Industry Co., Ltd.**, Shenzhen (CN)

(72) Inventor: **Zhiyi Huang**, Shenzhen (CN)

(73) Assignee: **Shenzhen Xingyingda Industry Co., Ltd.**, Shenzhen (CN)

(**) Term: **15 Years**

(21) Appl. No.: **29/840,829**

(22) Filed: **Jun. 1, 2022**

(51) **LOC (13) Cl.** **14-03**

(52) **U.S. Cl.**
USPC **D14/239**

(58) **Field of Classification Search**
USPC D14/251, 253, 447, 239, 126; D16/221, D16/223; 348/375, 722
CPC G03B 21/28; G02B 7/182; H04M 1/0272; H04M 2250/54; H04N 5/2252; H04N 5/2255

See application file for complete search history.

(56) **References Cited**

U.S. PATENT DOCUMENTS

D339,590 S	9/1993	Zeper	
D519,099 S	4/2006	Liu et al.	
D614,613 S *	4/2010	Kim	D14/253
9,030,603 B1 *	5/2015	Vito	H04N 5/2222 348/375
10,491,785 B1 *	11/2019	Arnot	H04N 5/2222
11,300,760 B2 *	4/2022	Chen	G02B 7/182
D956,028 S	6/2022	Chen	
D957,373 S *	7/2022	Wang	D14/239
D958,765 S *	7/2022	Ruan	D14/126
D960,963 S *	8/2022	Chen	D16/221

D962,185 S *	8/2022	Ruan	D14/126
2002/0008774 A1 *	1/2002	Yata	H04N 5/2222 348/375
2009/0256970 A1 *	10/2009	Bilbrey	H04N 5/2222 348/722
2013/0329112 A1 *	12/2013	Dudkowski	H04N 5/2222 348/E5.026
2014/0016030 A1 *	1/2014	Vito	H04N 5/2252 348/375
2014/0063469 A1 *	3/2014	Folcik	H04N 5/222 353/94
2017/0064158 A1 *	3/2017	Arce	H04N 5/2222
2020/0014823 A1 *	1/2020	Chen	G09G 3/20
2021/0278625 A1 *	9/2021	Chen	H04N 5/2252

* cited by examiner

Primary Examiner — Cynthia R Underwood

(74) *Attorney, Agent, or Firm* — Westbridge IP LLC

(57) **CLAIM**

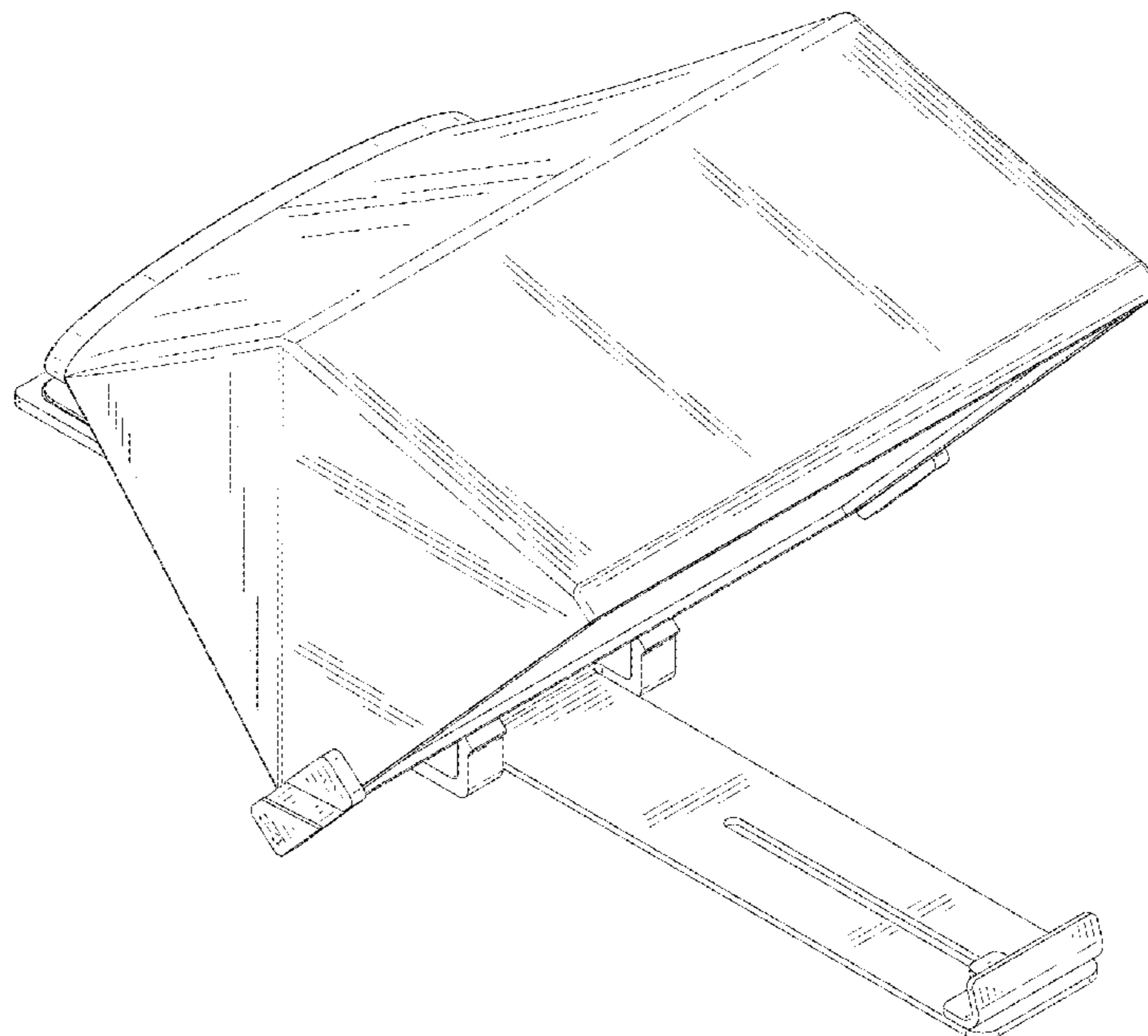
The ornamental design for a prompter, as shown and described.

DESCRIPTION

FIG. 1 is a top perspective view of a prompter showing my new design;
FIG. 2 is a bottom perspective view thereof;
FIG. 3 is a front perspective view thereof;
FIG. 4 is a front elevation view thereof;
FIG. 5 is a rear elevation view thereof;
FIG. 6 is a left side elevation view thereof;
FIG. 7 is a right side elevation view thereof;
FIG. 8 is a top plan view thereof; and,
FIG. 9 is a bottom plan view thereof.

The dash-dash broken lines in the drawings depict the portions of the prompter which form no part of the claimed design.

1 Claim, 9 Drawing Sheets



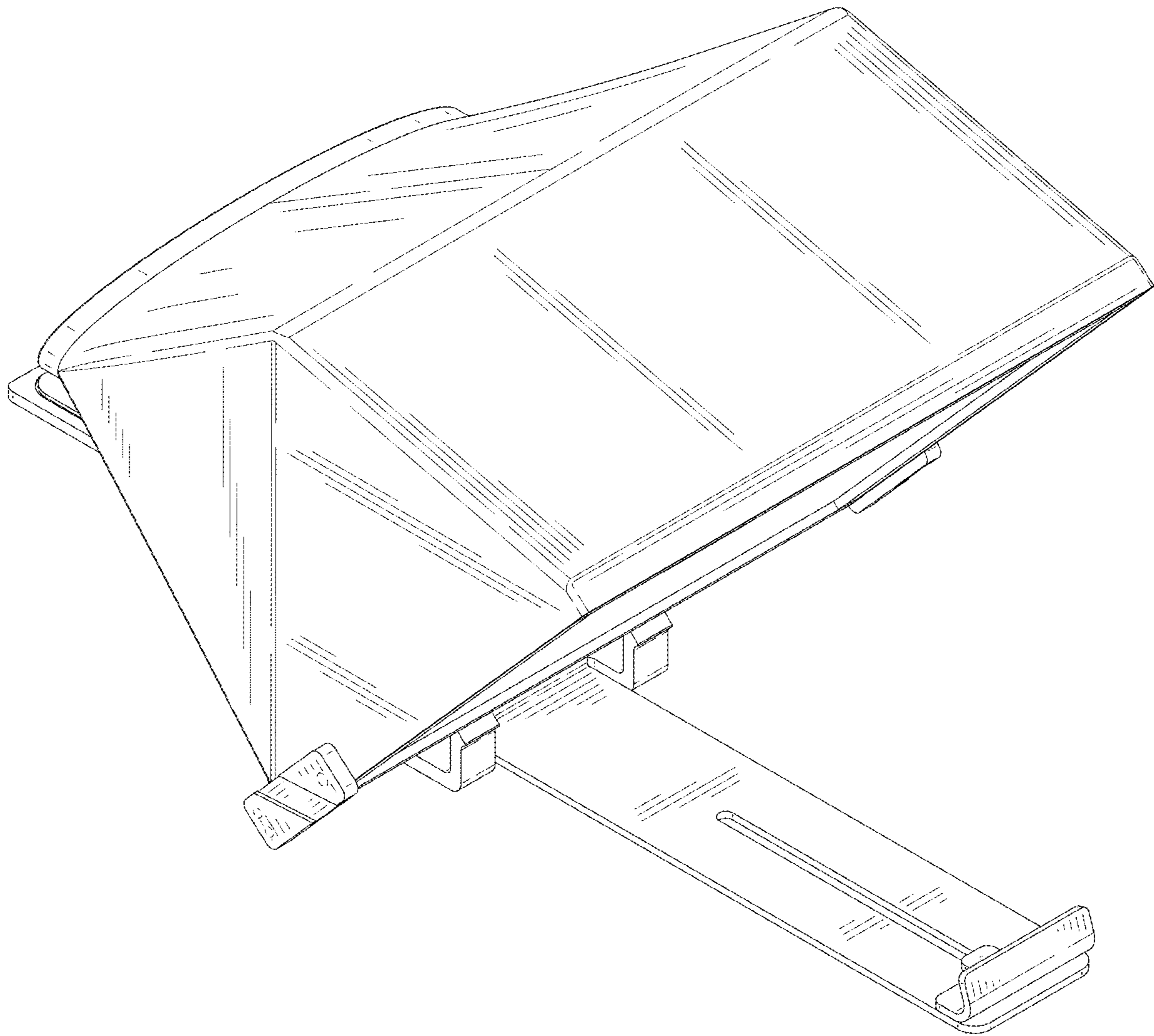


FIG. 1

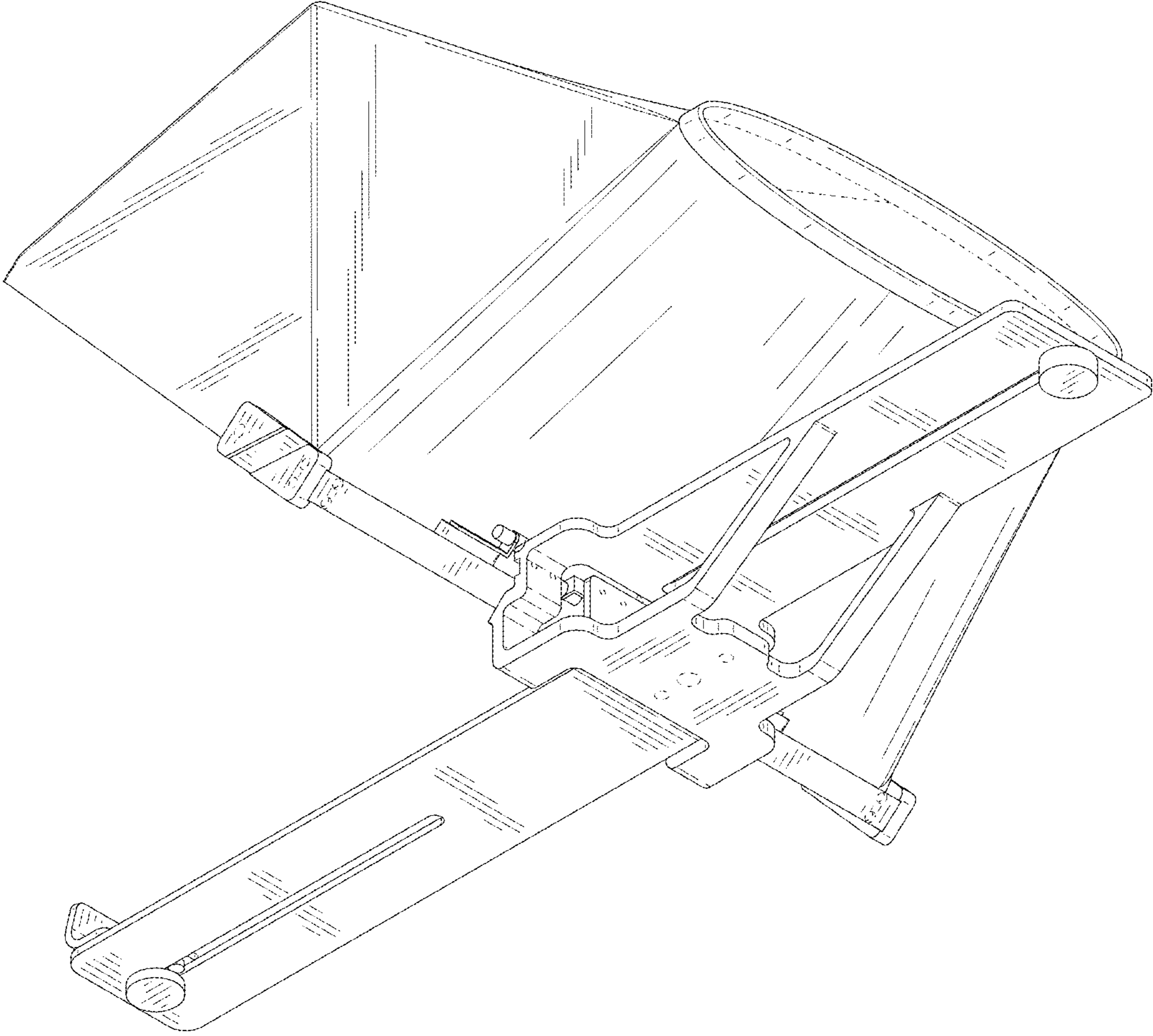


FIG. 2

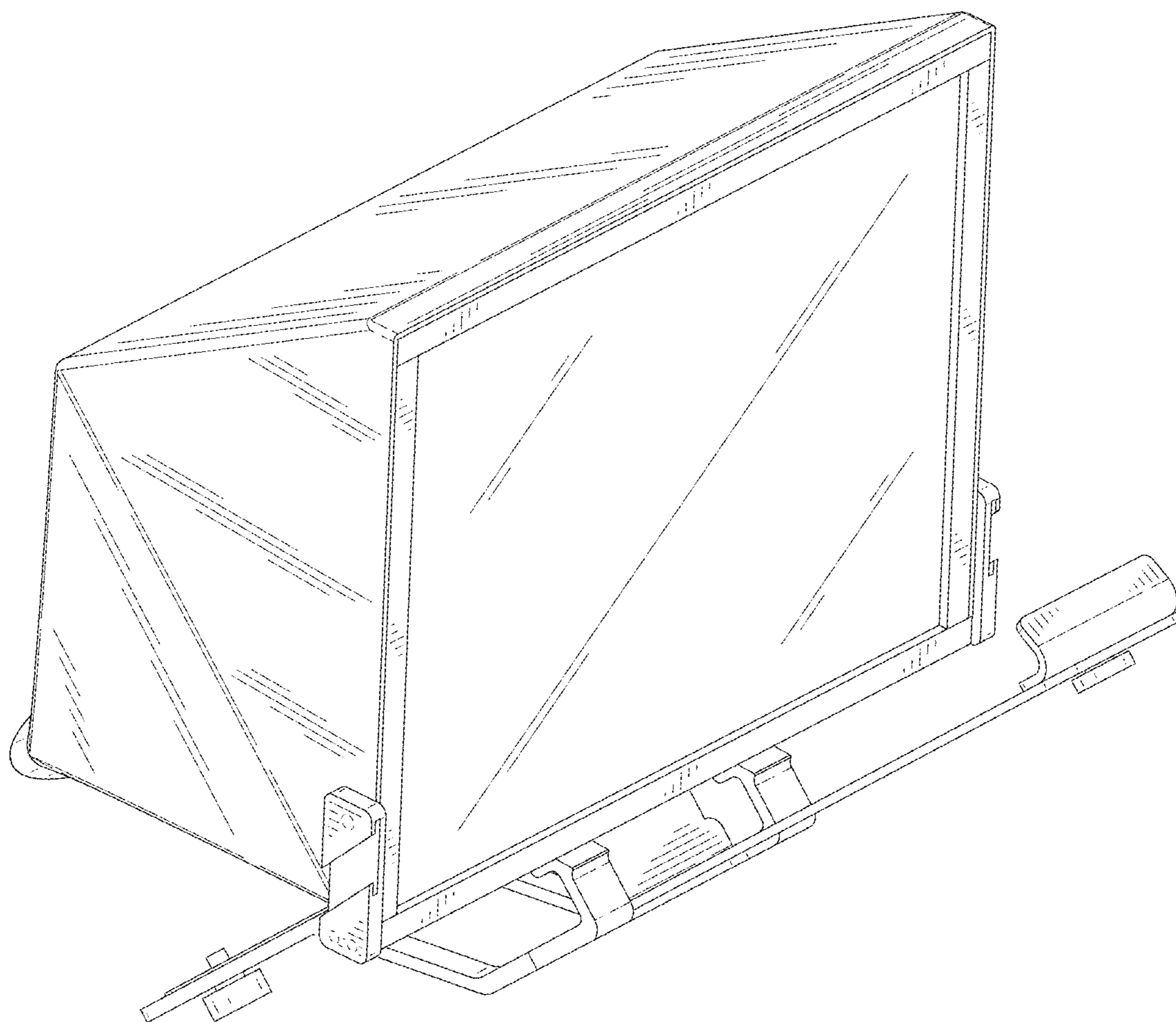


FIG. 3

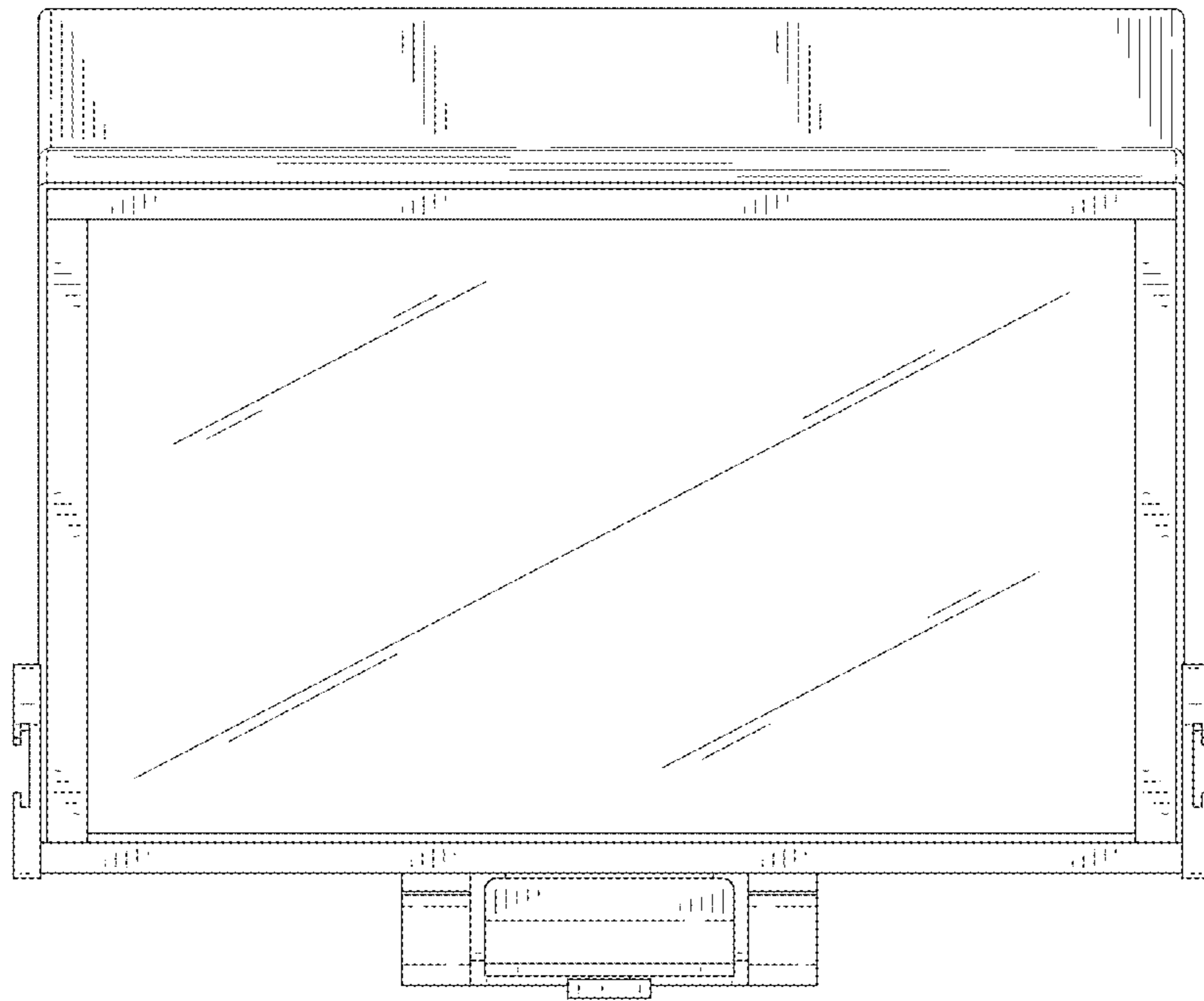


FIG. 4

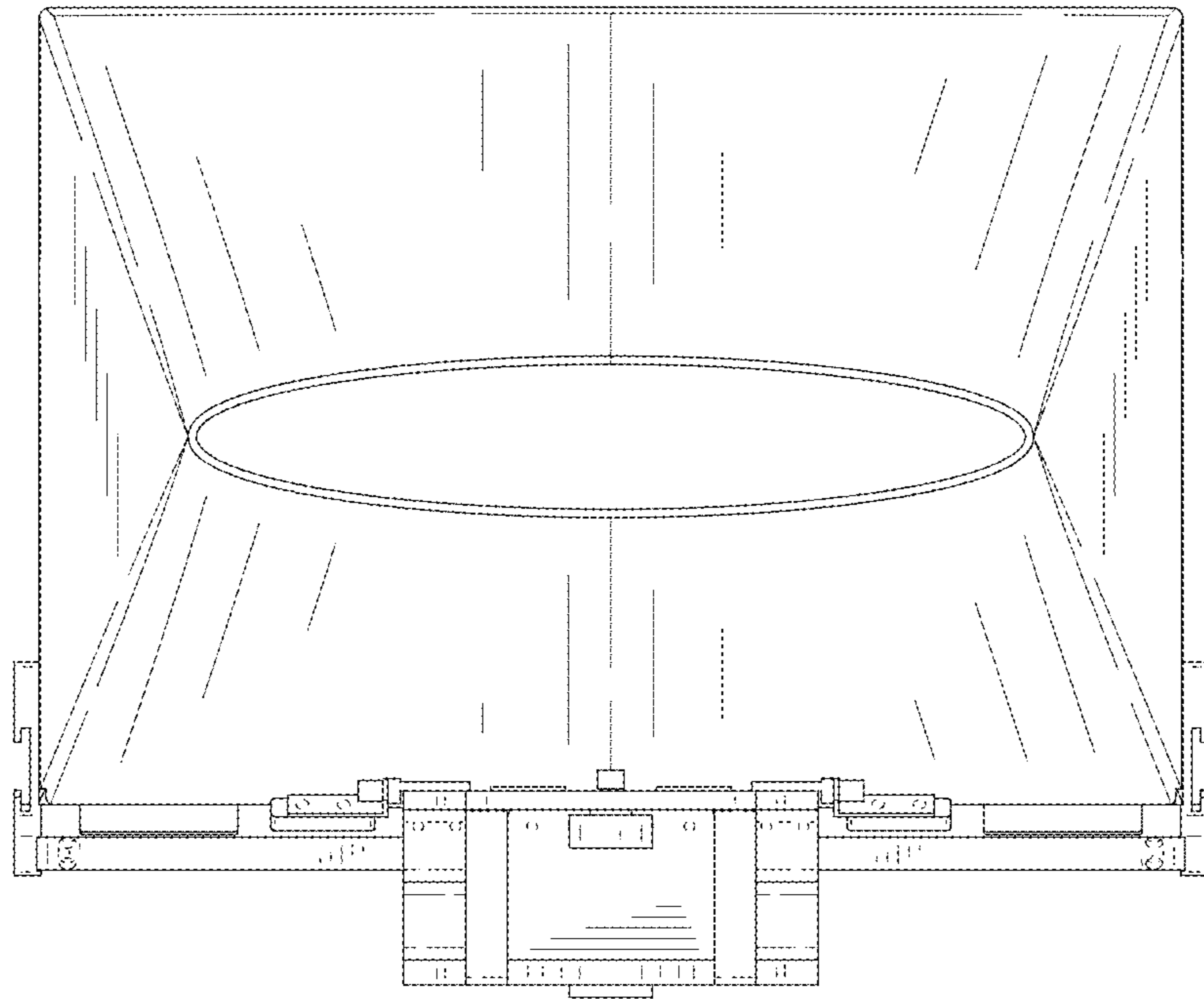


FIG. 5

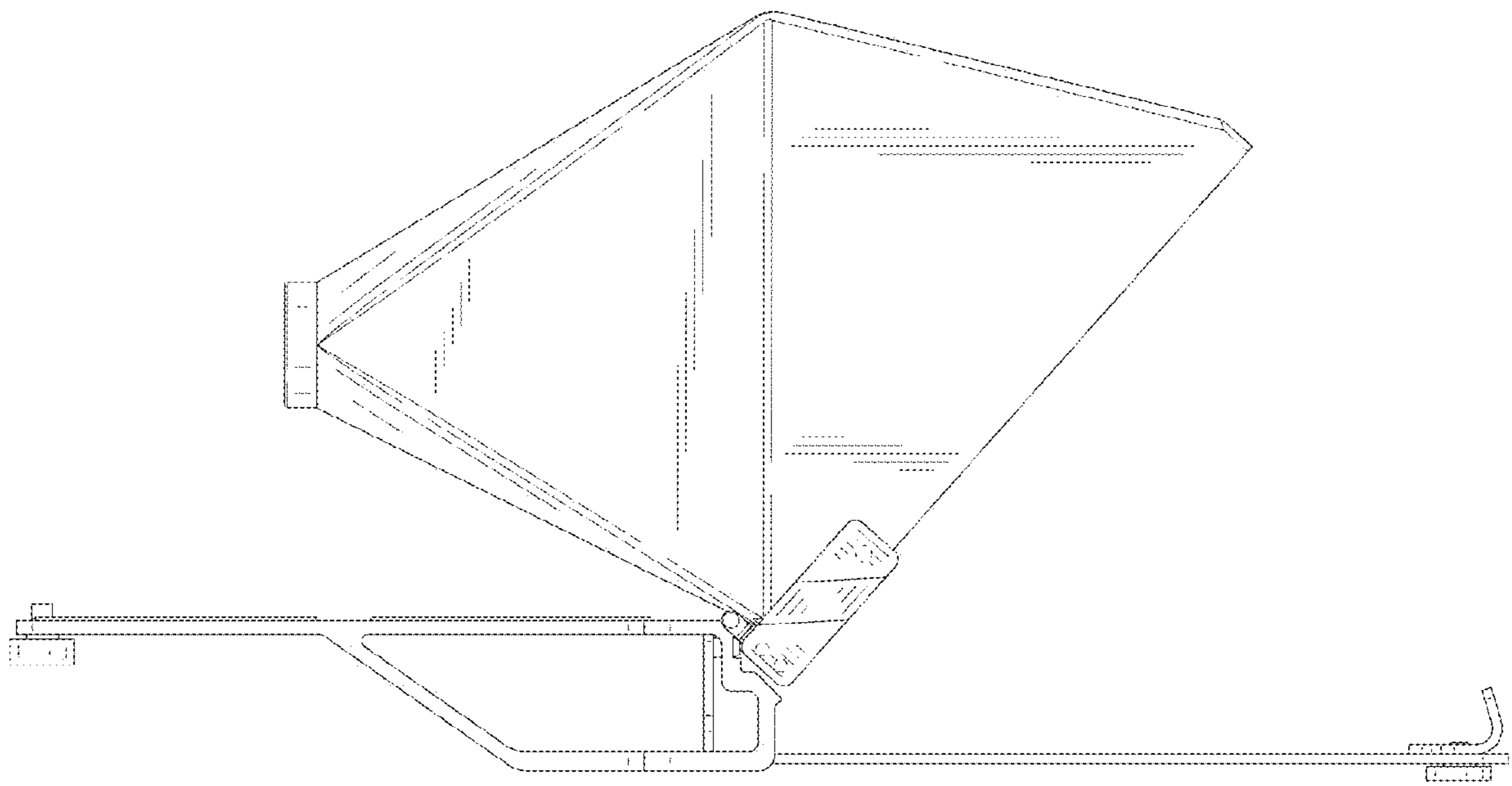


FIG. 6

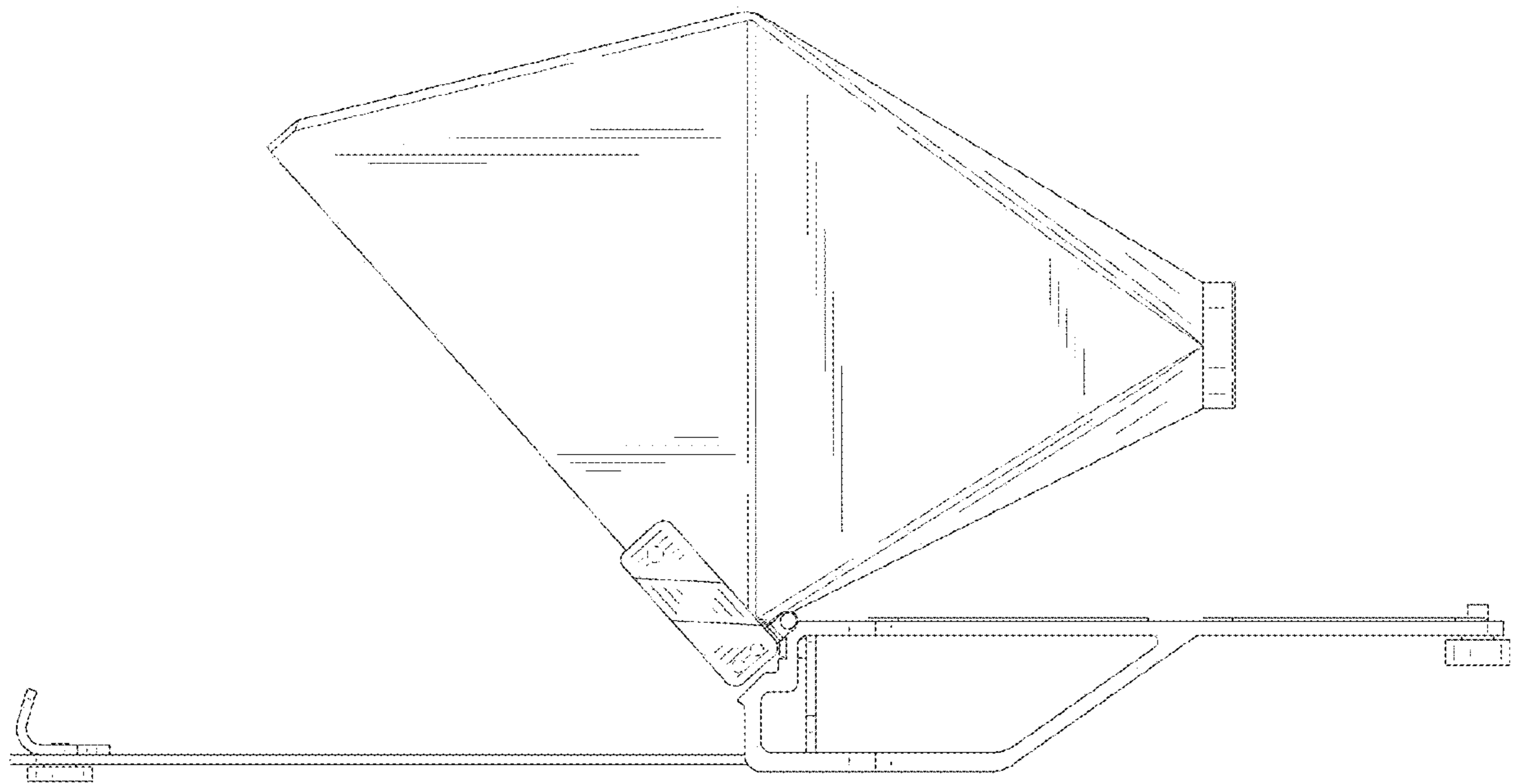


FIG. 7

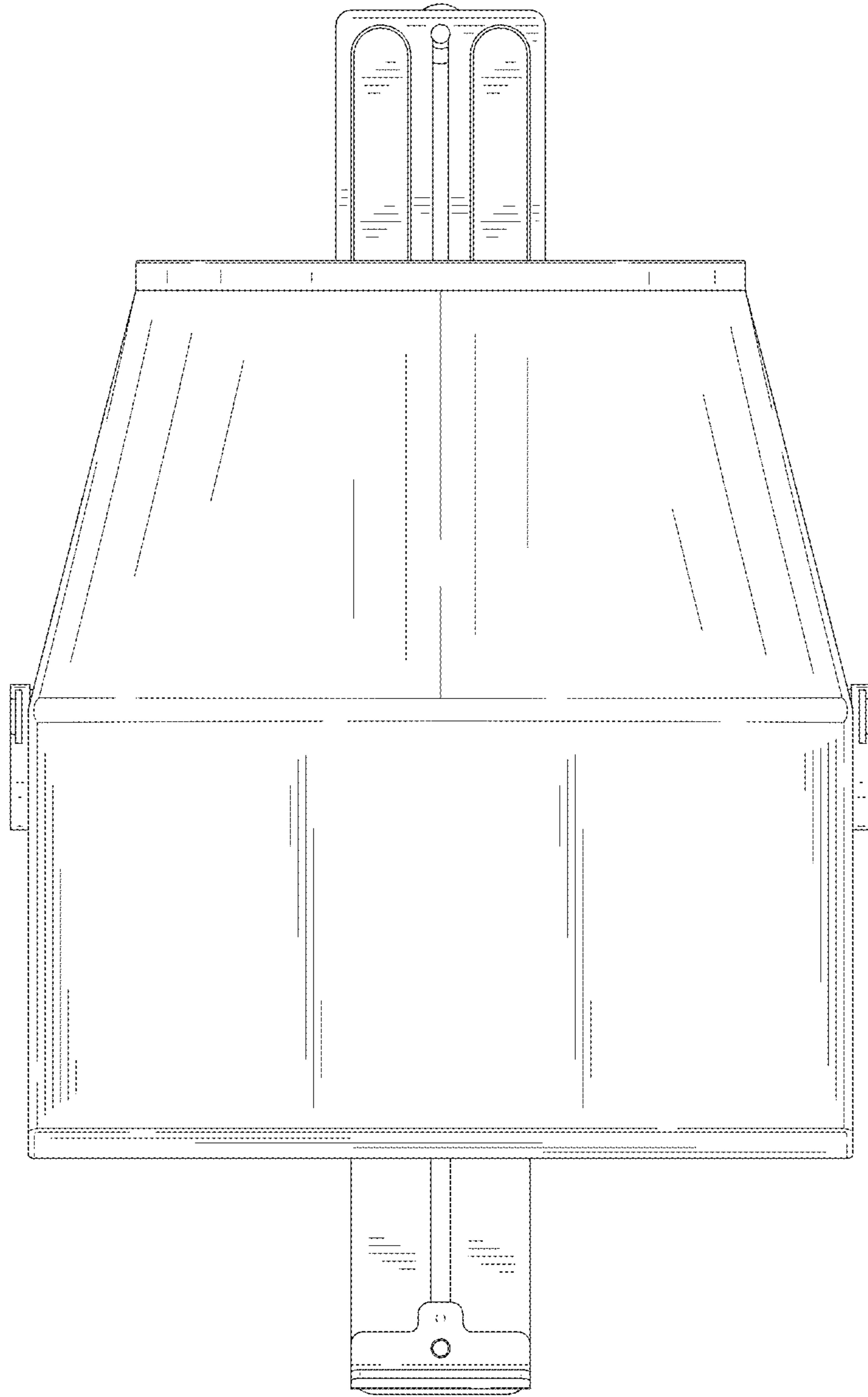


FIG. 8

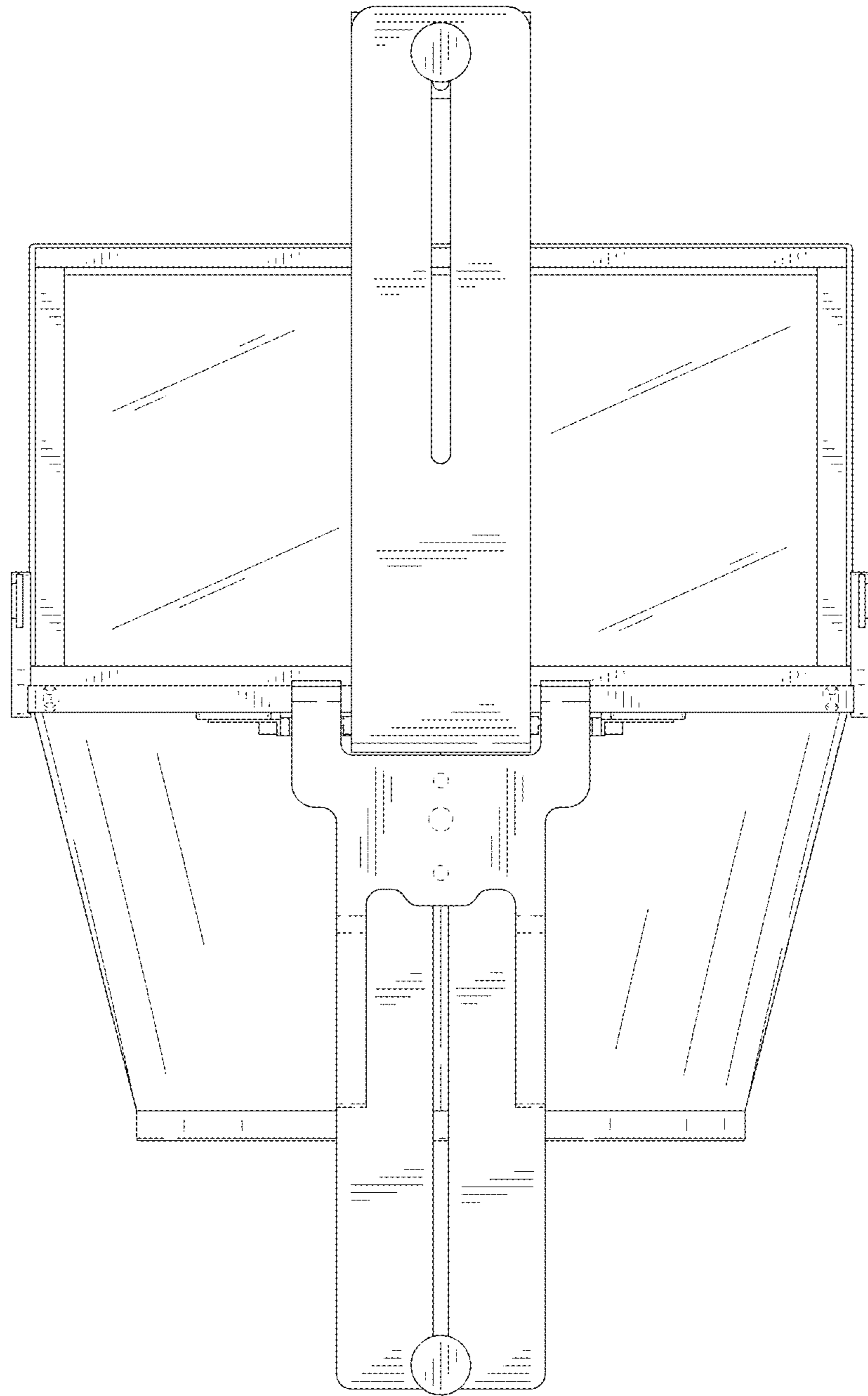


FIG. 9