



US00D971191S

(12) **United States Design Patent**
Mai

(10) **Patent No.:** **US D971,191 S**

(45) **Date of Patent:** **** Nov. 29, 2022**

(54) **MICROPHONE**

(71) Applicant: **Shenzhen Xunweijia Technology Development Co., Ltd., Shenzhen (CN)**

(72) Inventor: **Qibin Mai, Gaoyao (CN)**

(73) Assignee: **Shenzhen Xunweijia Technology Development Co., Ltd., Shenzhen (CN)**

(**) Term: **15 Years**

(21) Appl. No.: **29/846,025**

(22) Filed: **Jul. 12, 2022**

(51) **LOC (13) Cl.** **14-01**

(52) **U.S. Cl.**
USPC **D14/229; 14/226**

(58) **Field of Classification Search**
USPC D14/229, 226, 225, 227, 228; D8/398;
381/361, 368, 122; 248/629, 618
CPC H04R 1/08; H04R 1/1083; H04R 25/00;
H04R 9/08; H04R 11/04; H04R 17/02;
H04R 19/04; H04R 1/02; H04R 9/04;
F16M 11/10; F16M 11/041; E04B 1/82;
H04M 1/04

See application file for complete search history.

(56) **References Cited**

U.S. PATENT DOCUMENTS

- 2,529,701 A * 11/1950 Maloff G03B 21/625
524/297
- 2,875,543 A * 3/1959 Sylvester B44F 1/00
264/293
- 2,958,148 A * 11/1960 Sylvester B44F 3/00
264/293
- 3,201,530 A * 8/1965 Levy H04R 1/08
381/91
- 3,592,422 A * 7/1971 Paine F16F 15/067
248/589
- 4,344,184 A * 8/1982 Edwards H04B 1/04
343/702

- D276,043 S * 10/1984 Fitzner D14/229
- 4,628,525 A * 12/1986 Iwahara H04R 1/086
381/26
- D399,830 S * 10/1998 Nagai D13/199
- 6,459,802 B1 * 10/2002 Young H04R 1/083
381/361
- 6,682,043 B1 * 1/2004 Hsieh H04R 1/083
248/618
- D540,786 S * 4/2007 Hensen D14/228
- D548,729 S * 8/2007 Miller D14/229
- D549,209 S * 8/2007 Bauman D14/155
- D563,396 S * 3/2008 Probst D14/228
- D576,157 S * 9/2008 Nishizawa D14/225
- D579,928 S * 11/2008 Murata D14/229

(Continued)

FOREIGN PATENT DOCUMENTS

- CN 307360477 * 5/2022
- EM 008555775-0001 * 5/2021

(Continued)

Primary Examiner — Paula Allen Greene

(74) *Attorney, Agent, or Firm* — Nitin Kaushik

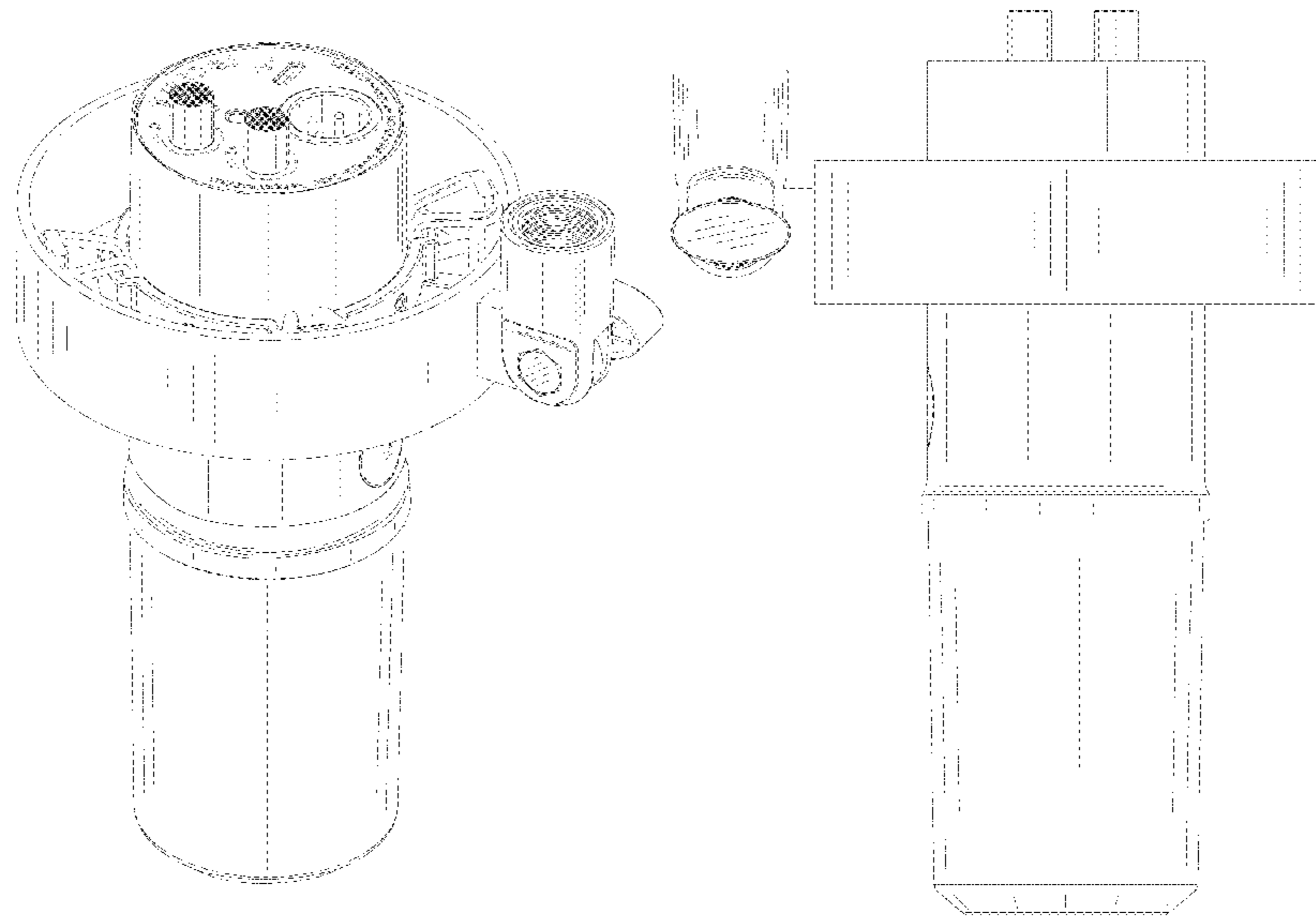
(57) **CLAIM**

The ornamental design for a microphone, as shown and described.

DESCRIPTION

FIG. 1 is front, top and left side perspective view of a microphone, showing my new design;
 FIG. 2 is front view thereof;
 FIG. 3 is a rear view thereof;
 FIG. 4 is a left side view thereof;
 FIG. 5 is a right side view thereof;
 FIG. 6 is a top view thereof; and,
 FIG. 7 is a bottom view thereof.
 The broken lines in the drawings illustrate the portions of the microphone, which form no part of the claimed design.

1 Claim, 7 Drawing Sheets



(56)

References Cited

U.S. PATENT DOCUMENTS

D585,434 S * 1/2009 Ganley D14/228
 D593,488 S * 6/2009 Harrison D13/103
 D599,786 S * 9/2009 Metlen D14/225
 D618,222 S * 6/2010 Kallas D14/229
 7,769,408 B2 * 8/2010 Hansson H04R 1/02
 455/90.3
 D632,679 S * 2/2011 Emge D14/225
 8,180,087 B2 * 5/2012 Wu H01R 31/06
 381/189
 8,571,250 B2 * 10/2013 Royer H04R 1/08
 381/361
 D705,761 S * 5/2014 McGovern, Jr. D14/229
 D706,245 S * 6/2014 McGovern, Jr. D14/229
 D707,662 S * 6/2014 Okita D14/229
 D708,170 S * 7/2014 Duek D14/225
 D713,391 S * 9/2014 Ibuki D14/228
 D736,189 S * 8/2015 Cooper D14/229
 D737,253 S * 8/2015 Henricksen D14/228
 D758,997 S * 6/2016 Miller D14/225
 D772,205 S * 11/2016 Sunwoo D14/229
 D791,742 S * 7/2017 Lai D14/225
 9,998,811 B1 * 6/2018 Avant H04R 1/08
 D823,283 S * 7/2018 Sunwoo D14/229
 D834,568 S * 11/2018 Pooley D14/229
 D842,846 S * 3/2019 Mai D14/225

D859,370 S * 9/2019 Slaton D14/225
 D868,754 S * 12/2019 Chou D14/225
 D883,961 S * 5/2020 Dai D14/226
 D889,442 S * 7/2020 Bovin D14/228
 D889,443 S * 7/2020 Renwick D14/229
 D890,732 S * 7/2020 Chen D14/227
 D901,459 S * 11/2020 Zhao D14/225
 D917,429 S * 4/2021 Xiang D14/228
 D917,430 S * 4/2021 Mai D14/228
 D918,186 S * 5/2021 Mai D14/227
 D933,640 S * 10/2021 Zhou D14/225
 D941,810 S * 1/2022 Chen D14/225
 D954,687 S 6/2022 Mai
 2010/0239113 A1 * 9/2010 Browne H04R 1/08
 381/361
 2011/0044477 A1 * 2/2011 Huang H04R 1/083
 381/122
 2011/0293114 A1 * 12/2011 Akino H04R 7/24
 381/111
 2013/0270414 A1 * 10/2013 McGovern, Jr. F16F 7/14
 248/610

FOREIGN PATENT DOCUMENTS

EM 009153802-0001 * 8/2022
 GB 6155636 * 8/2021
 JP D1696081 * 9/2021

* cited by examiner

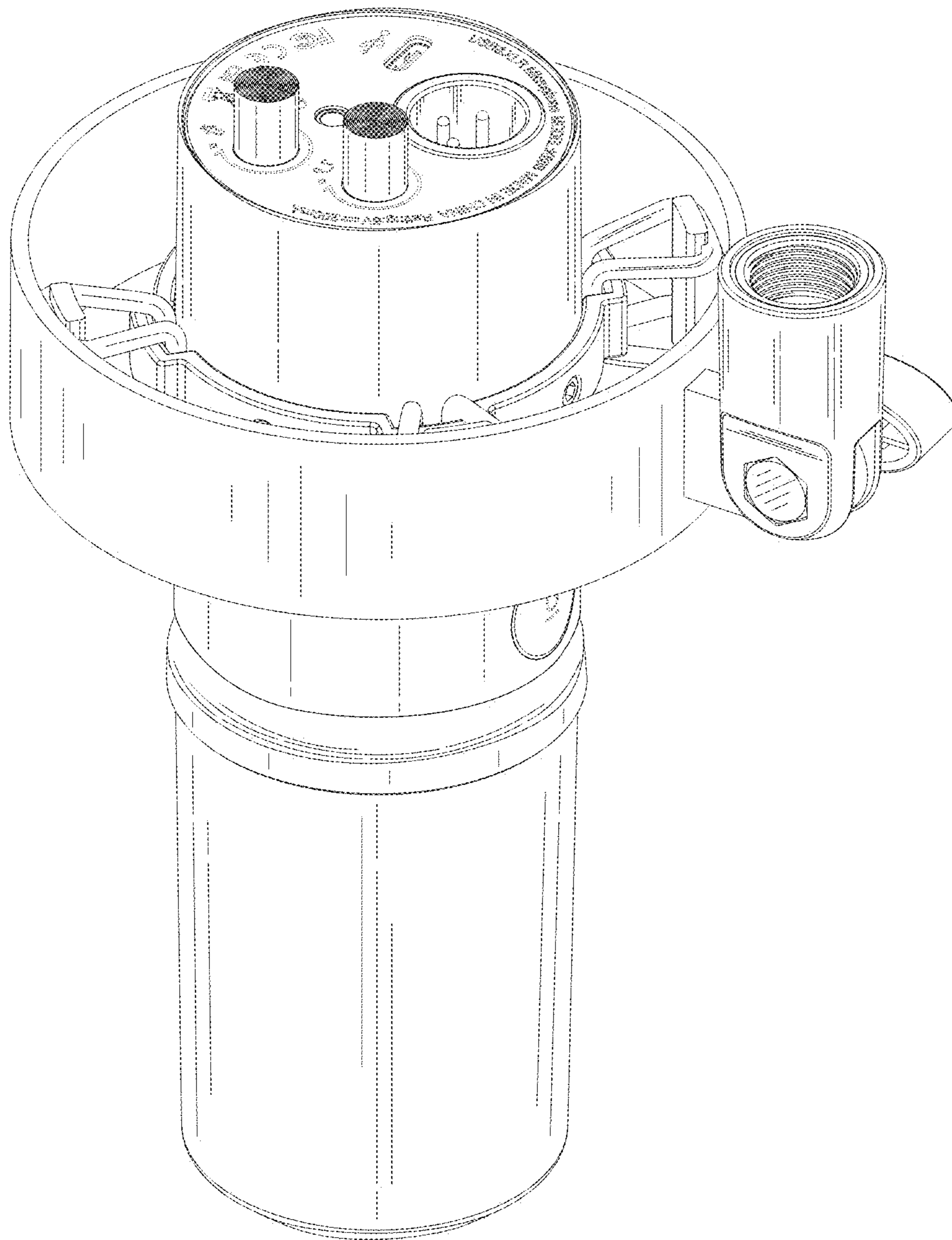


FIG. 1

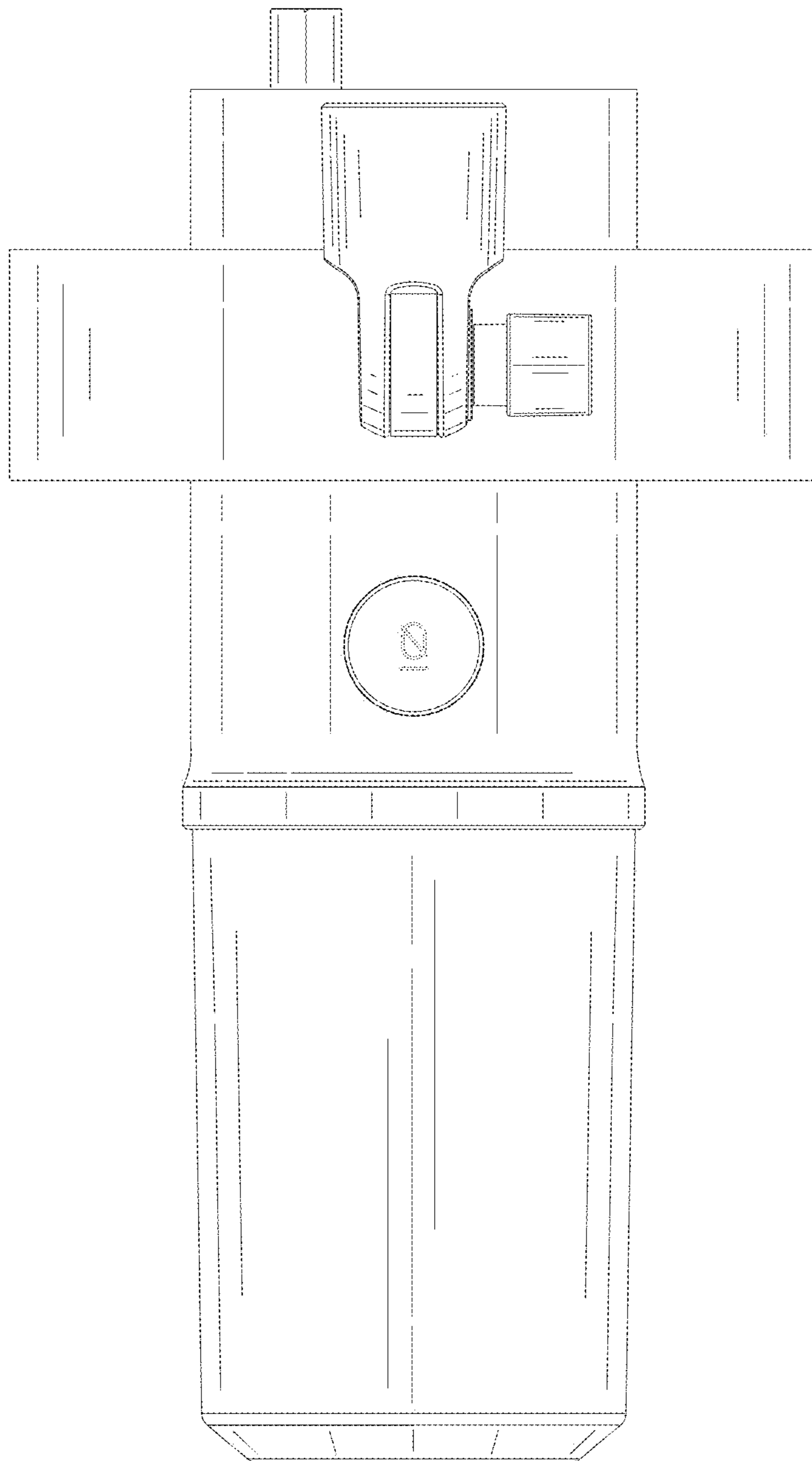


FIG. 2

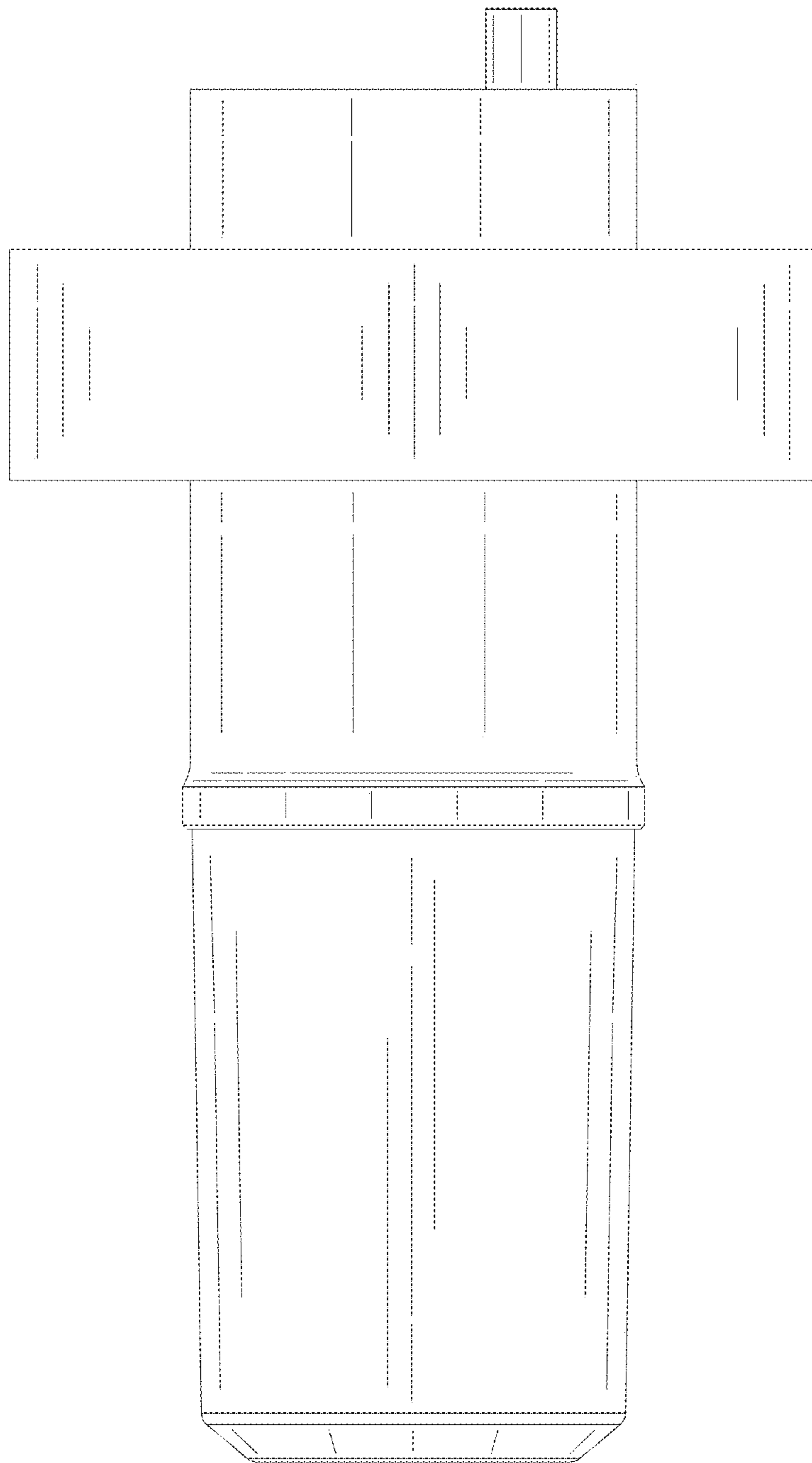


FIG. 3

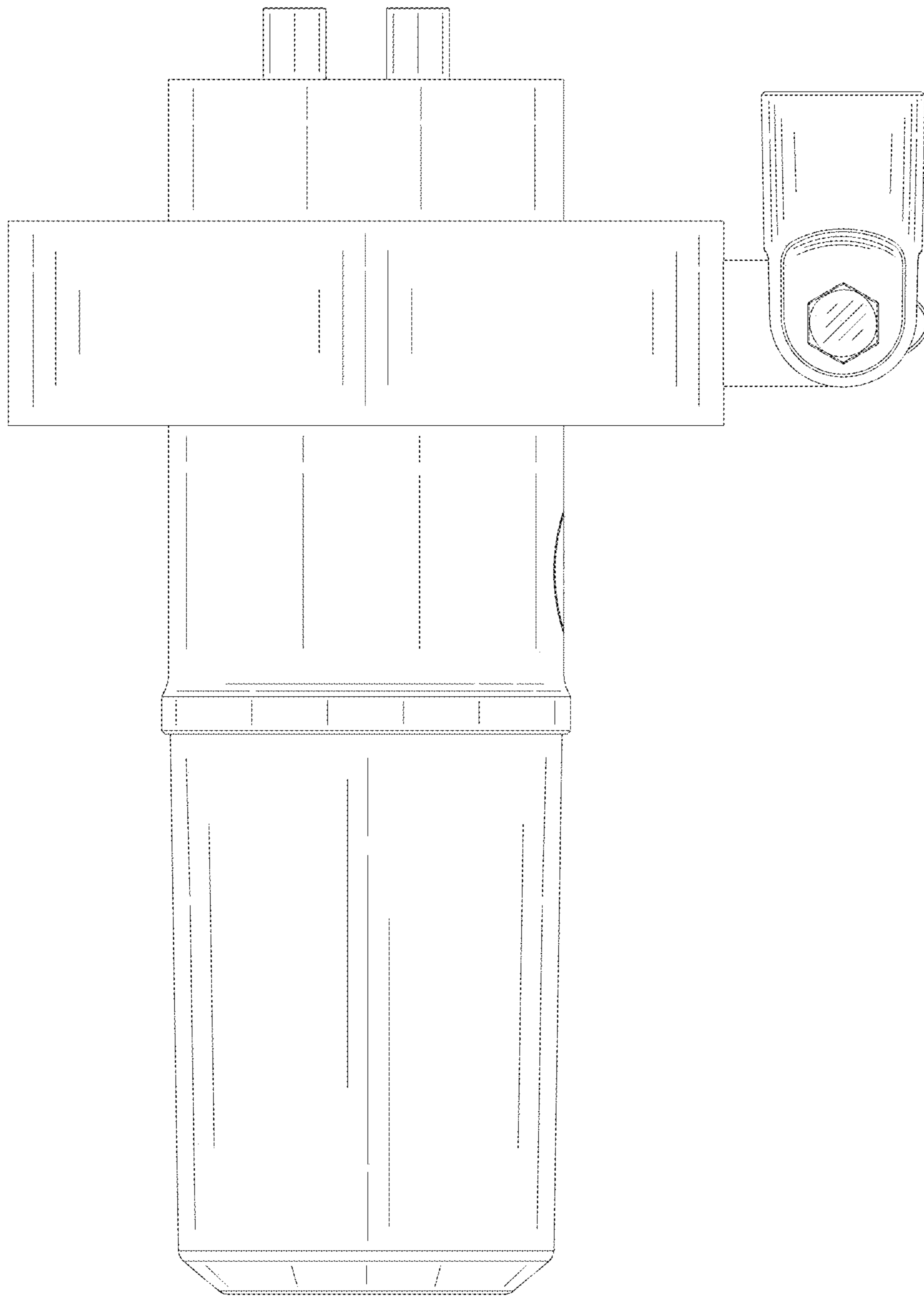


FIG. 4

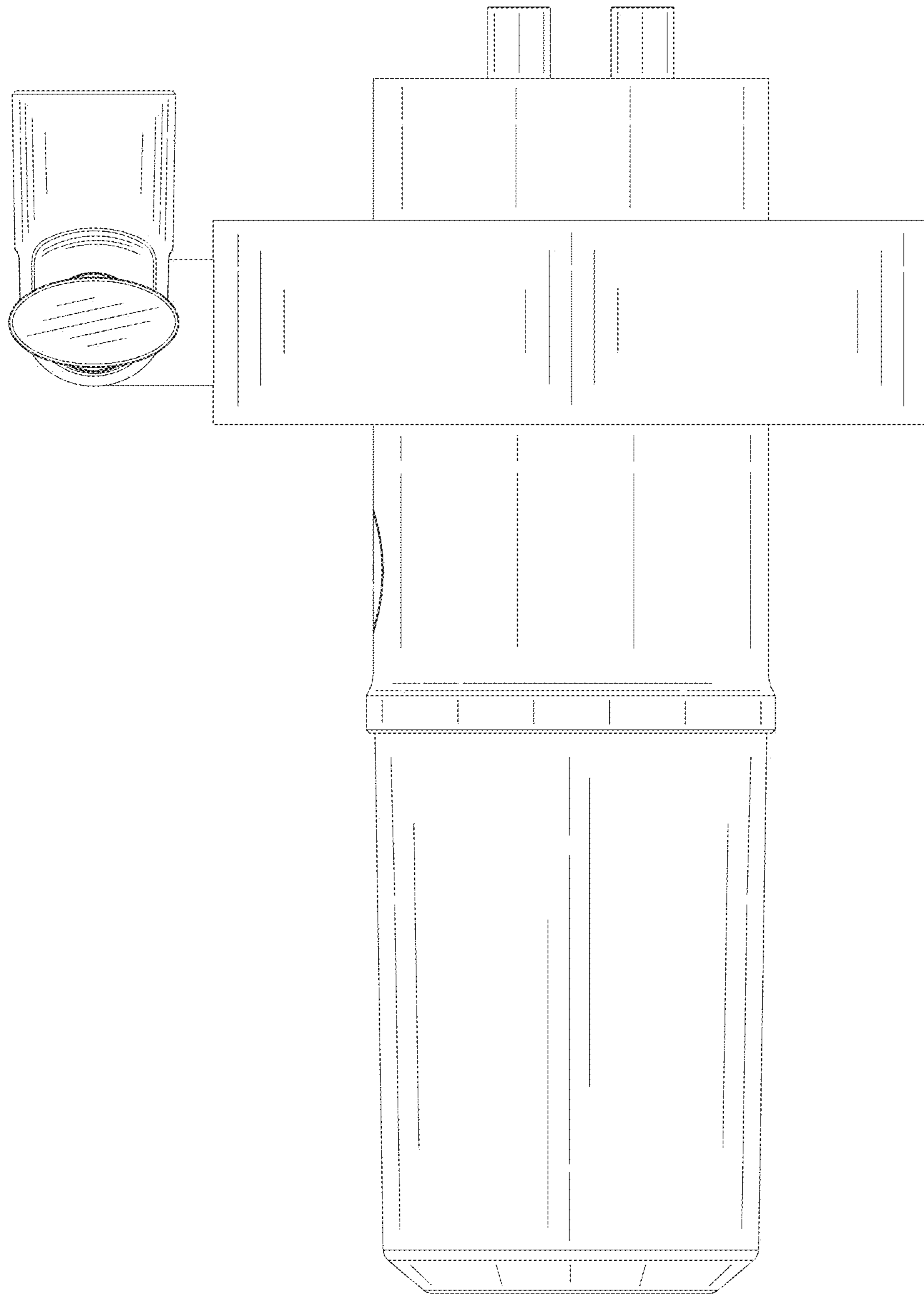


FIG. 5

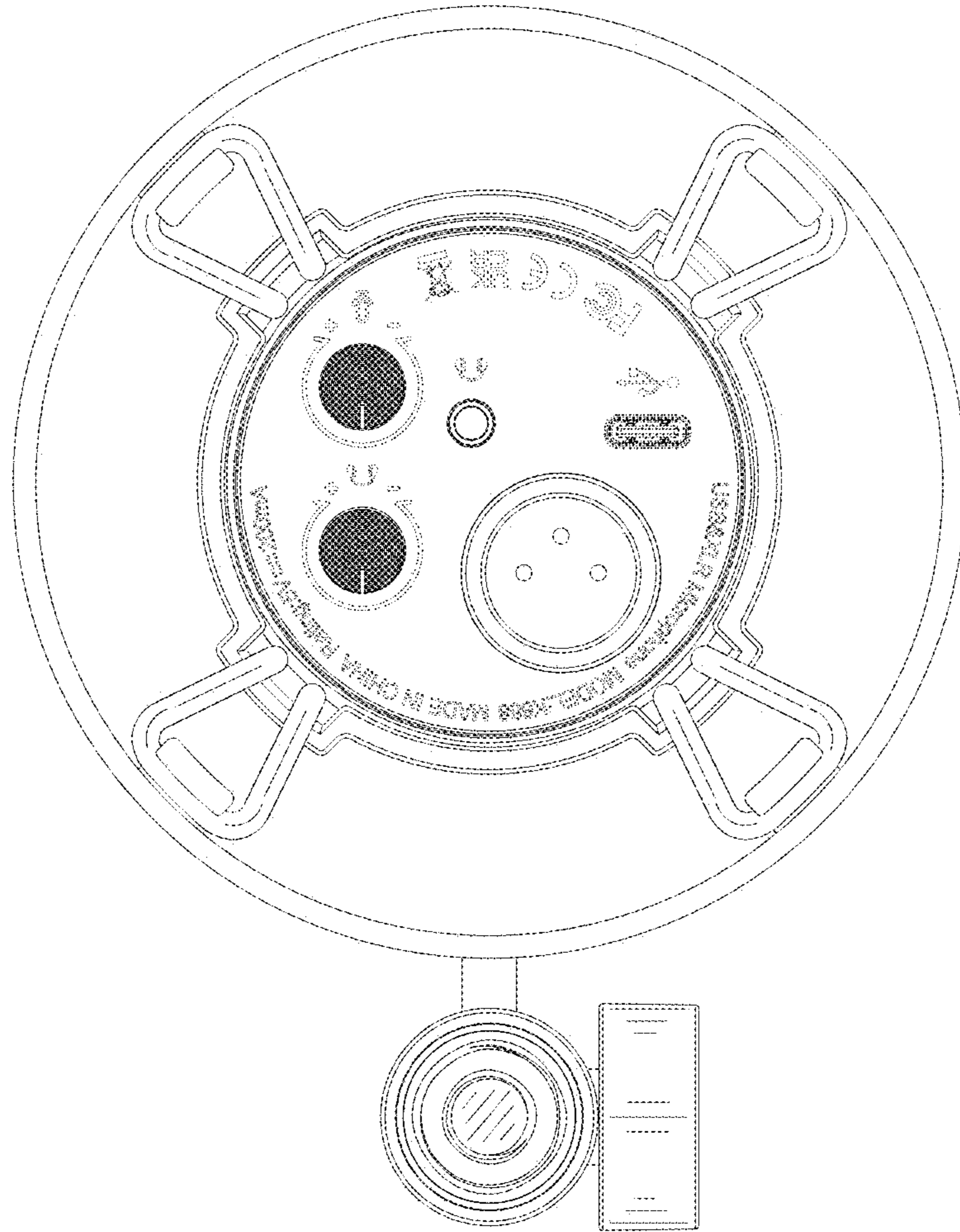


FIG. 6

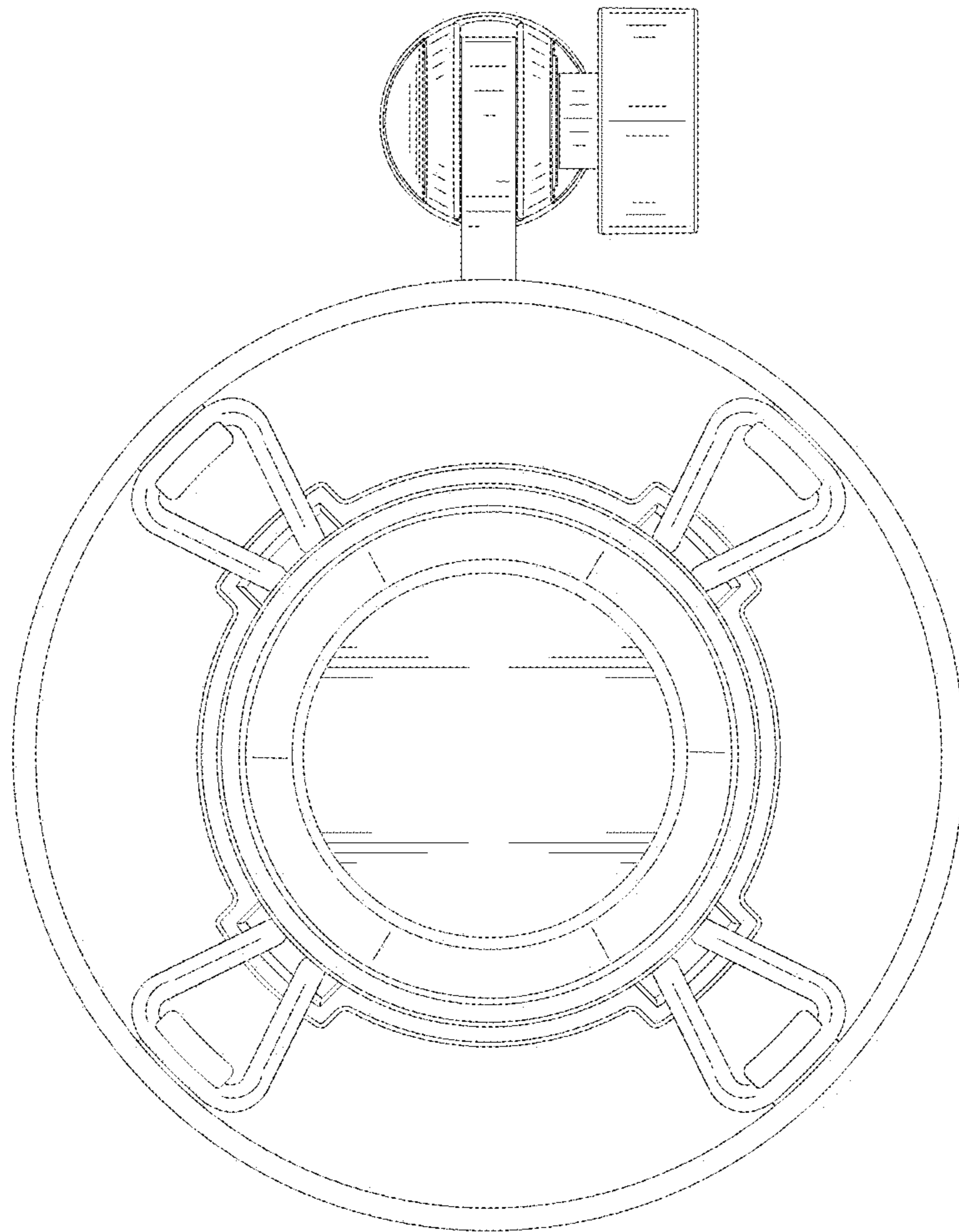


FIG. 7