



US00D971189S

(12) **United States Design Patent** (10) **Patent No.:** **US D971,189 S**
Mai (45) **Date of Patent:** **** Nov. 29, 2022**

(54) **TRANSMITTER**

FOREIGN PATENT DOCUMENTS

(71) Applicant: **Shenzhen Xunweijia Technology Development Co., Ltd., Shenzhen (CN)**

CN 303841064 * 9/2016
CN 109286868 B * 2/2021 H04R 1/083
CN 307486295 * 9/2022

(72) Inventor: **Qibin Mai, Gaoyang (CN)**

OTHER PUBLICATIONS

(**) Term: **15 Years**

FiFine Lavalier Mic, Amazon cusomter review 2022, site visited Sep. 12, 2022, <https://www.amazon.com/FIFINE-Microphone-Condenser-Omnidirectional-Recording-M6/dp/B09TQKLFKP#customerReviews>.*

(21) Appl. No.: **29/824,617**

(22) Filed: **Jan. 26, 2022**

(51) **LOC (13) Cl.** **14-03**

* cited by examiner

(52) **U.S. Cl.**
USPC **D14/225**

Primary Examiner — John R Yeh

(58) **Field of Classification Search**
USPC D14/155, 217, 225–230, 358; D10/104.1, D10/106.1, 107
CPC H04B 1/38; H04B 17/19; H04R 1/083
See application file for complete search history.

(57) **CLAIM**

The ornamental design for transmitter, substantially as shown and described.

DESCRIPTION

(56) **References Cited**

U.S. PATENT DOCUMENTS

D297,328 S *	8/1988	Nozo	D14/358
D310,368 S *	9/1990	Derhaag	D14/228
D358,350 S *	5/1995	Bedrosian	D10/104.1
D381,023 S *	7/1997	Accardo	D14/218
6,030,291 A *	2/2000	Maki	G06F 3/016 345/161
D425,514 S *	5/2000	Bai	D14/230
6,061,457 A *	5/2000	Stockhamer	H04R 1/00 367/188
D446,205 S *	8/2001	Ming-Cheng	D14/228
D462,343 S *	9/2002	Wang	D14/228
D504,126 S *	4/2005	Saulespurens	D14/228
D543,212 S *	5/2007	Marks	D21/333
D628,577 S *	12/2010	Marks	D21/333
D703,193 S *	4/2014	Trewartha	D14/225
D741,843 S *	10/2015	Heinrich	D14/231
D779,352 S *	2/2017	Scarder	D10/104.1
D920,948 S *	6/2021	Tak	D14/204
D921,603 S *	6/2021	Zhou	
D947,814 S *	4/2022	Walcott	D14/216

A portion of the disclosure of this patent document contains material which is subject to copyright and/or trademark protection. This patent document shows a logo for FiFine which is or may become trade dress of the owner. The copyright and trade dress owner has no objection to the facsimile reproduction by anyone of the patent disclosure as it appears in the Patent and Trademark Office patent files or records, but otherwise reserves all copyright and trade dress rights whatsoever.

FIG. 1 is a front perspective view of transmitter, showing my new design;

FIG. 2 is a front view thereof;

FIG. 3 is a rear view thereof;

FIG. 4 is a left side view thereof;

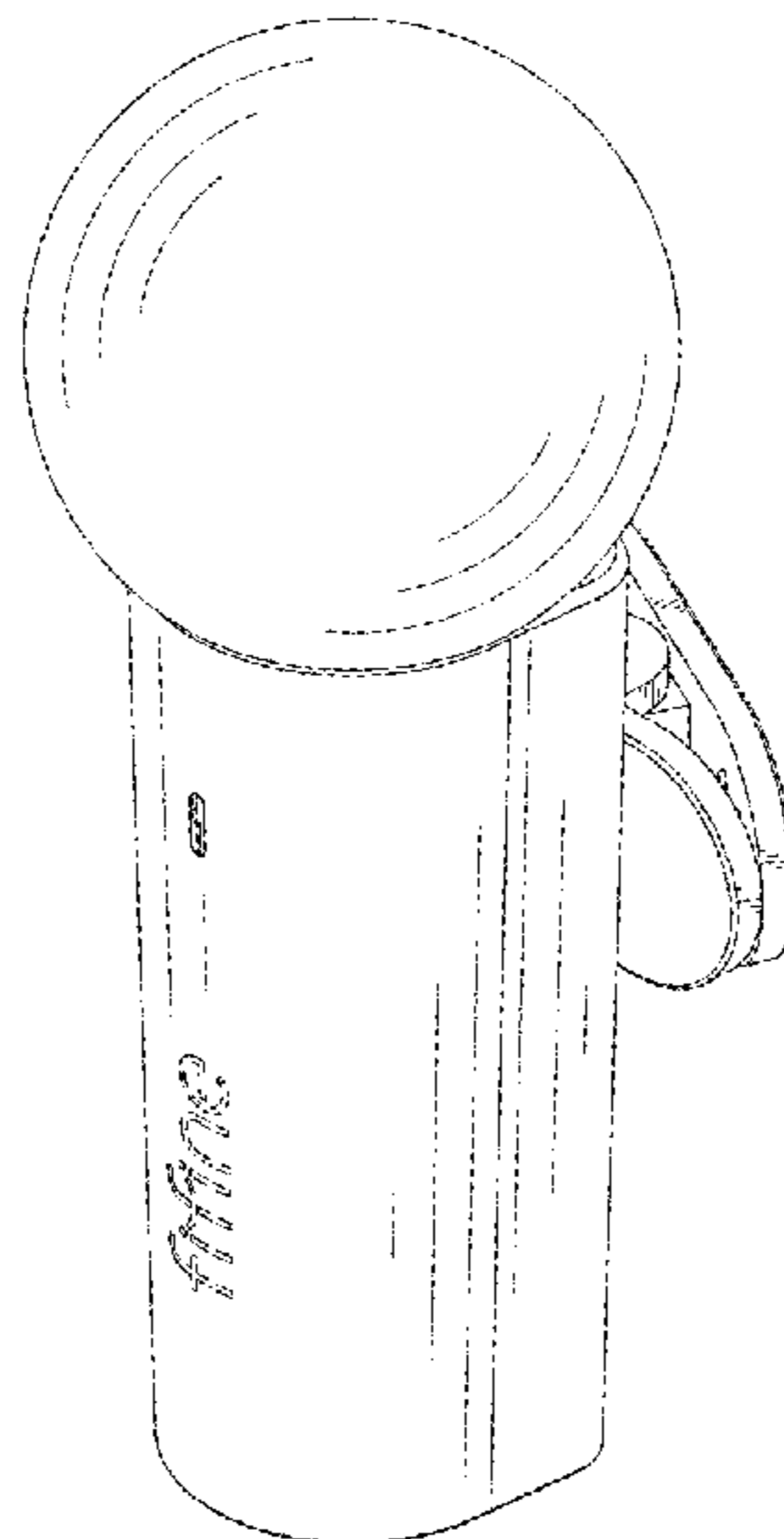
FIG. 5 is a right side view thereof;

FIG. 6 is a top view thereof; and,

FIG. 7 is a bottom view thereof.

The broken lines in the drawings illustrate the portions of transmitter, which form no part of the claimed design.

1 Claim, 7 Drawing Sheets



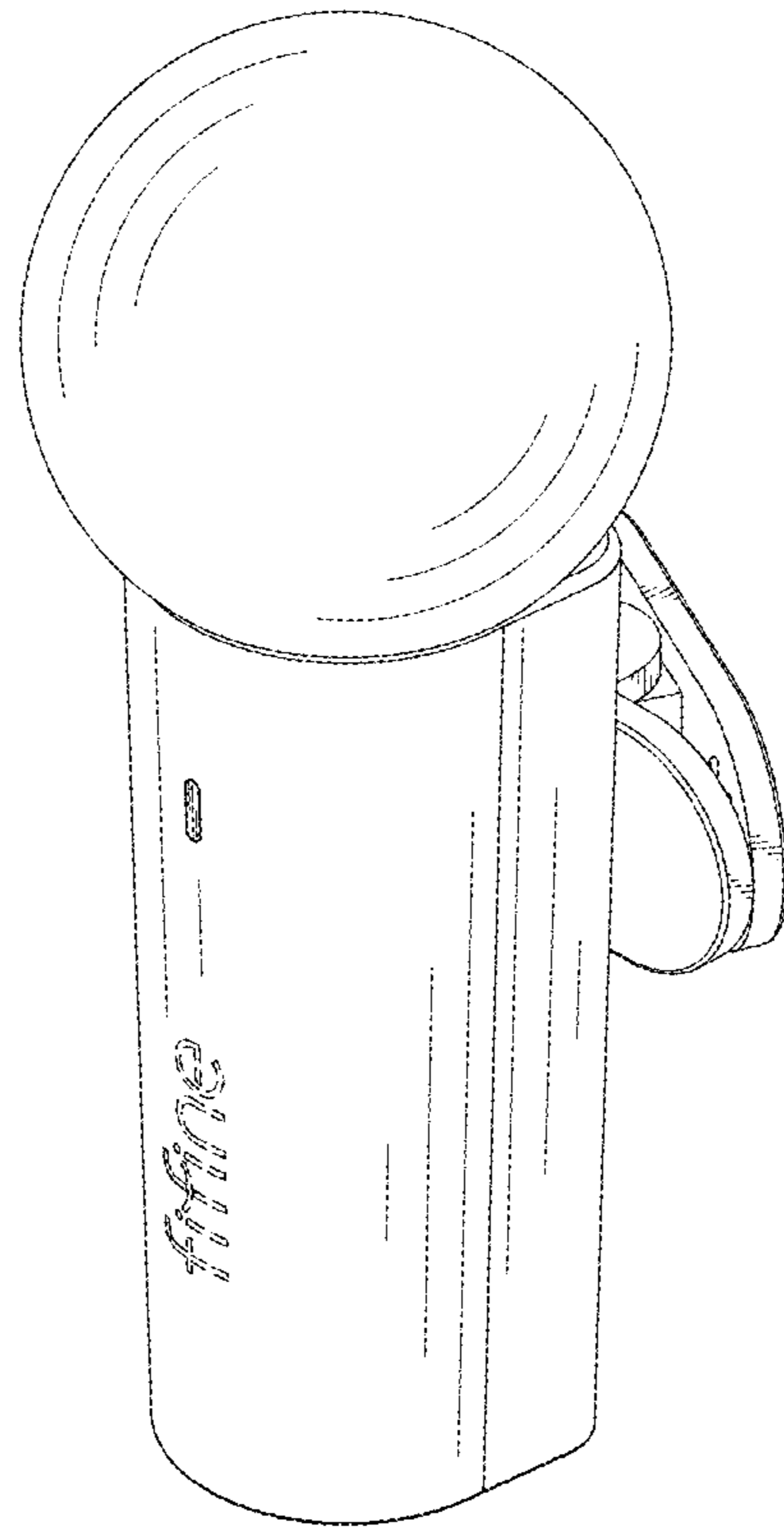


FIG. 1

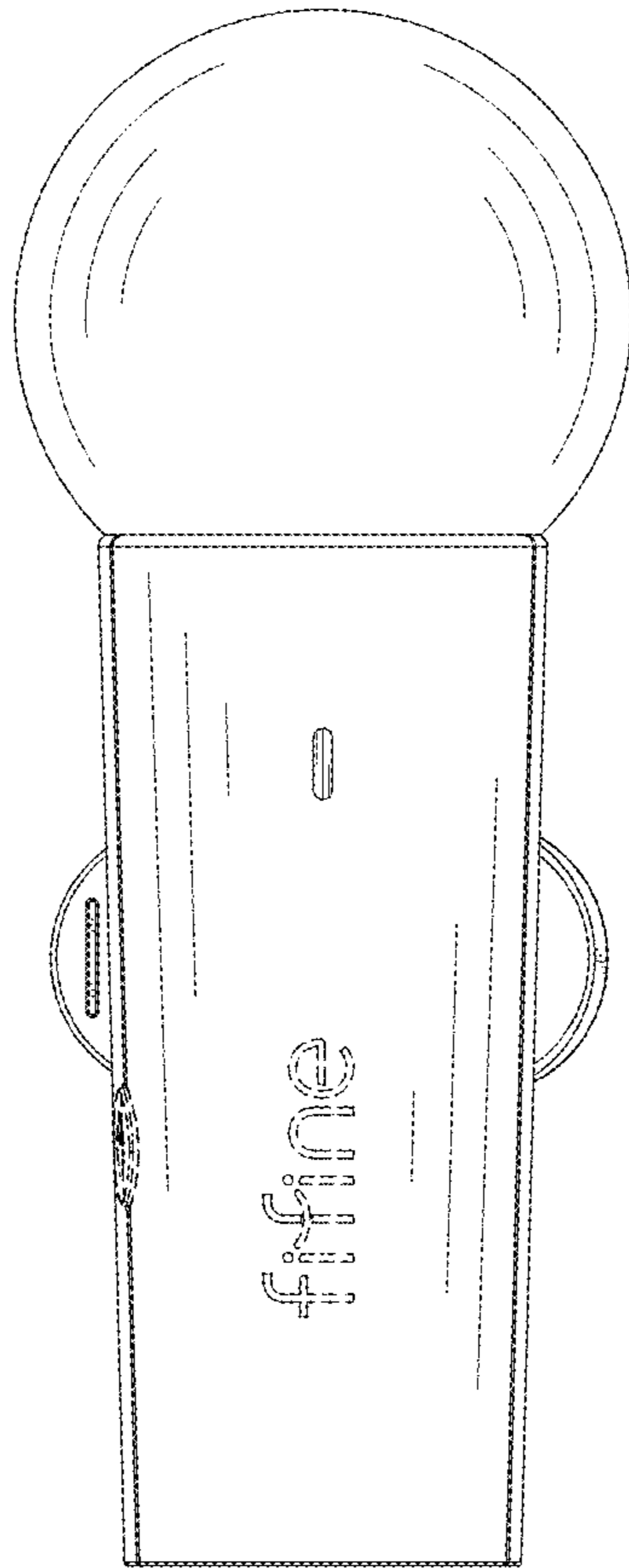


FIG. 2

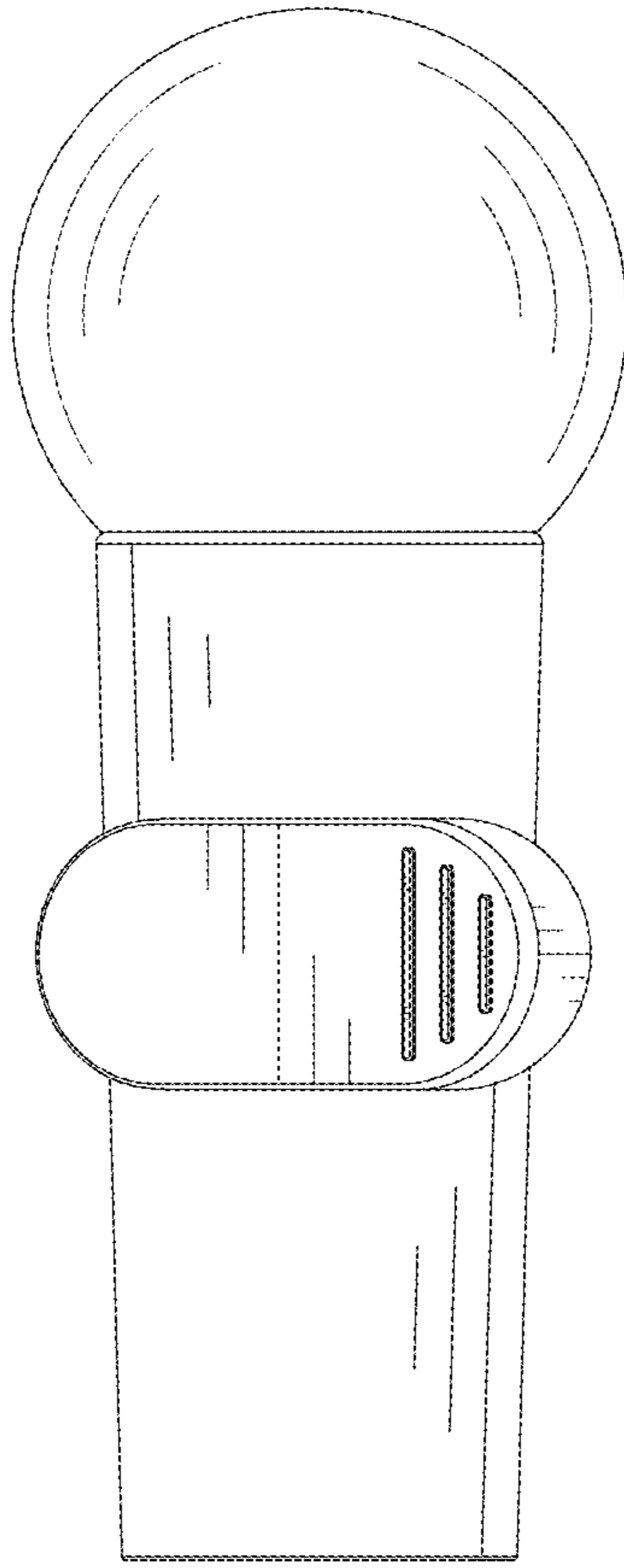


FIG. 3

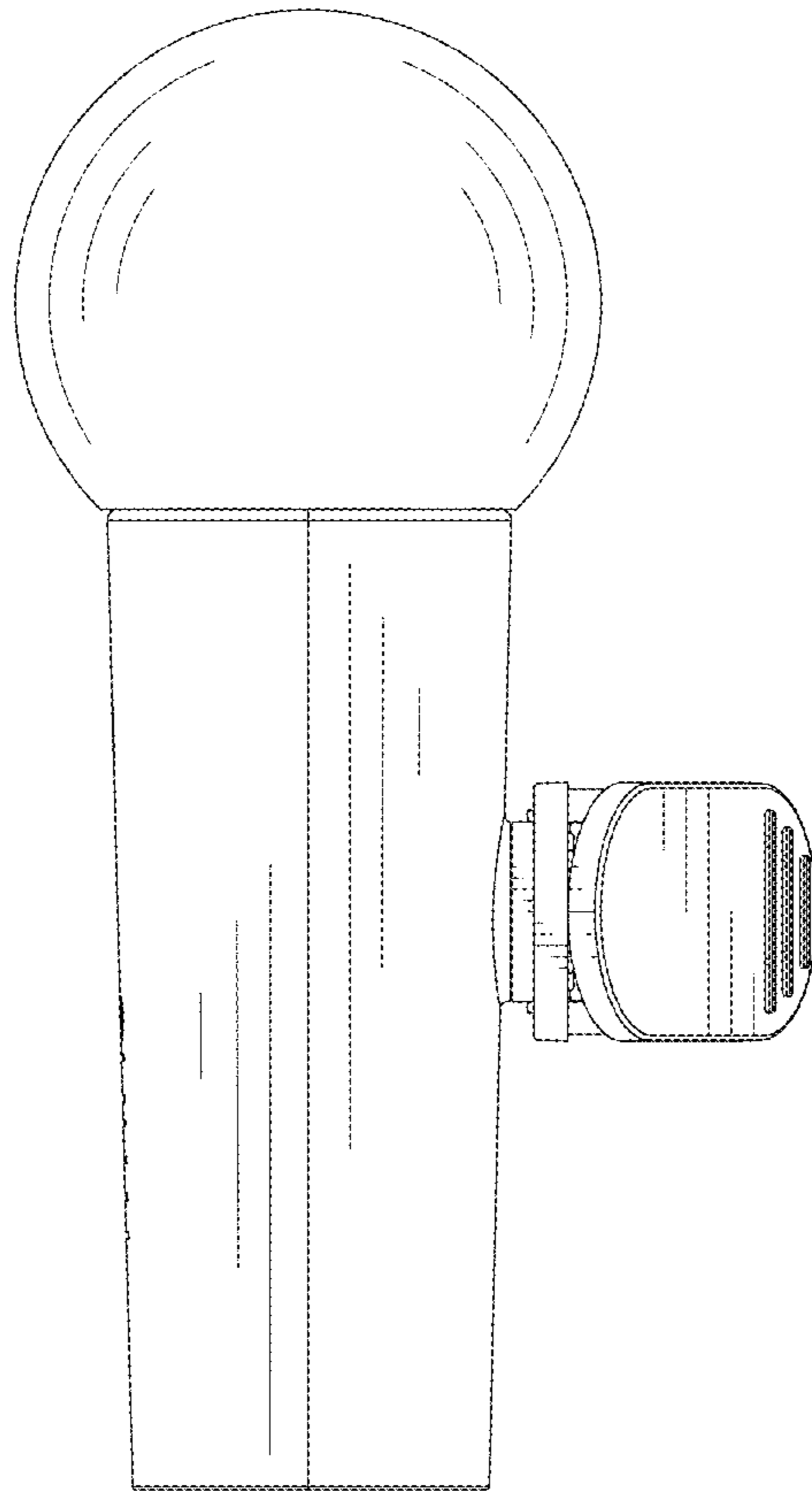


FIG. 4

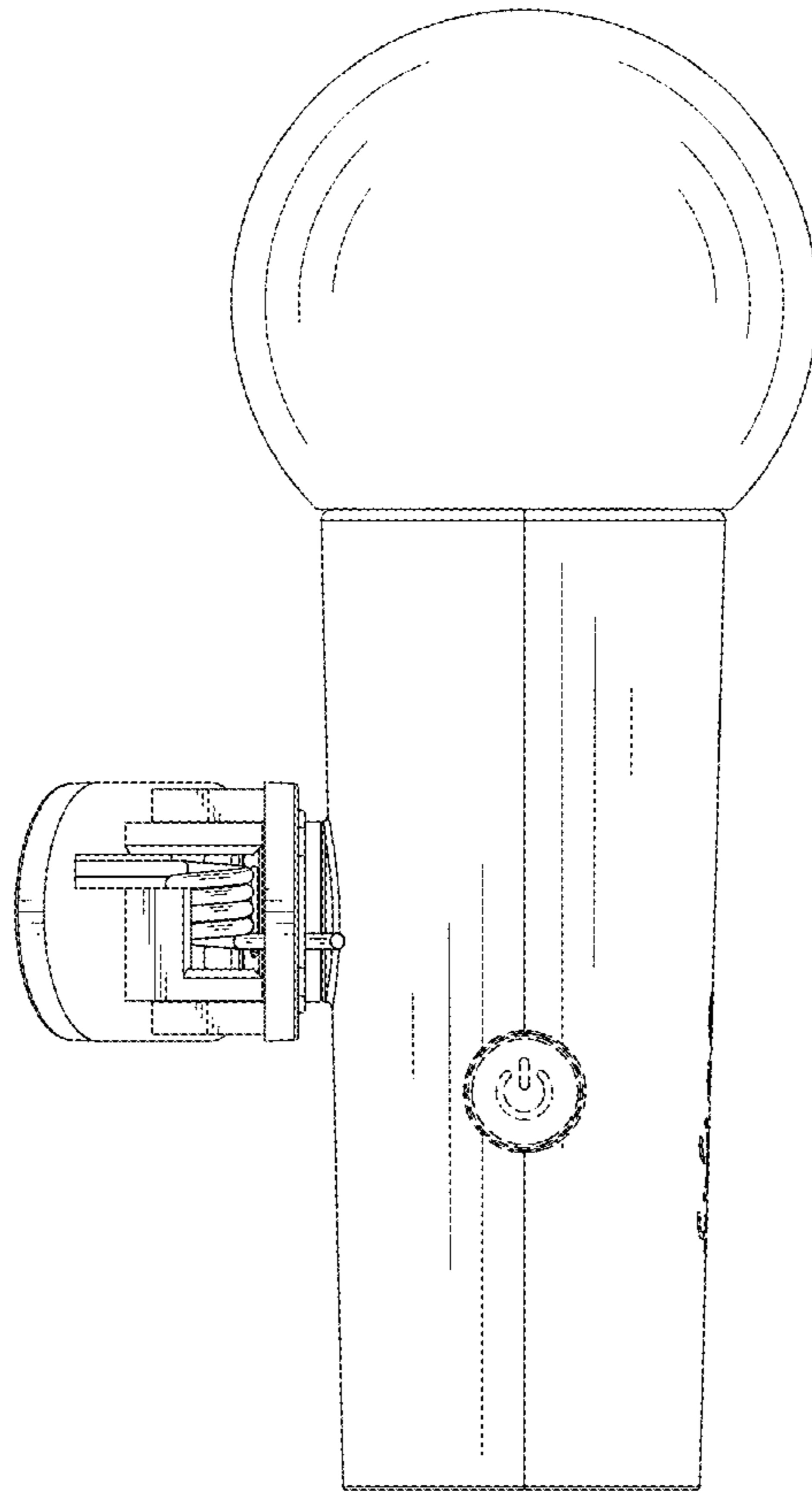


FIG. 5

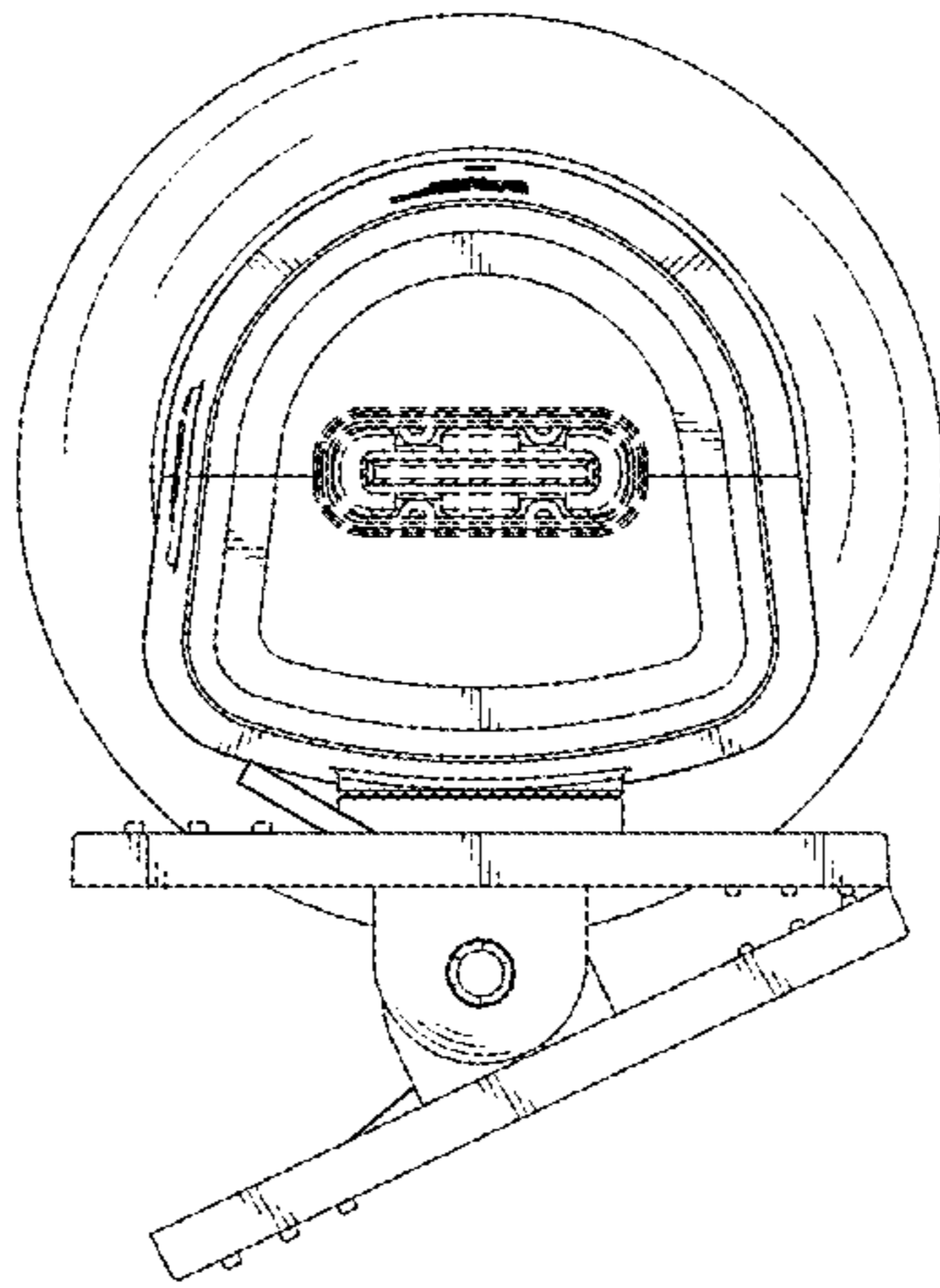


FIG. 6

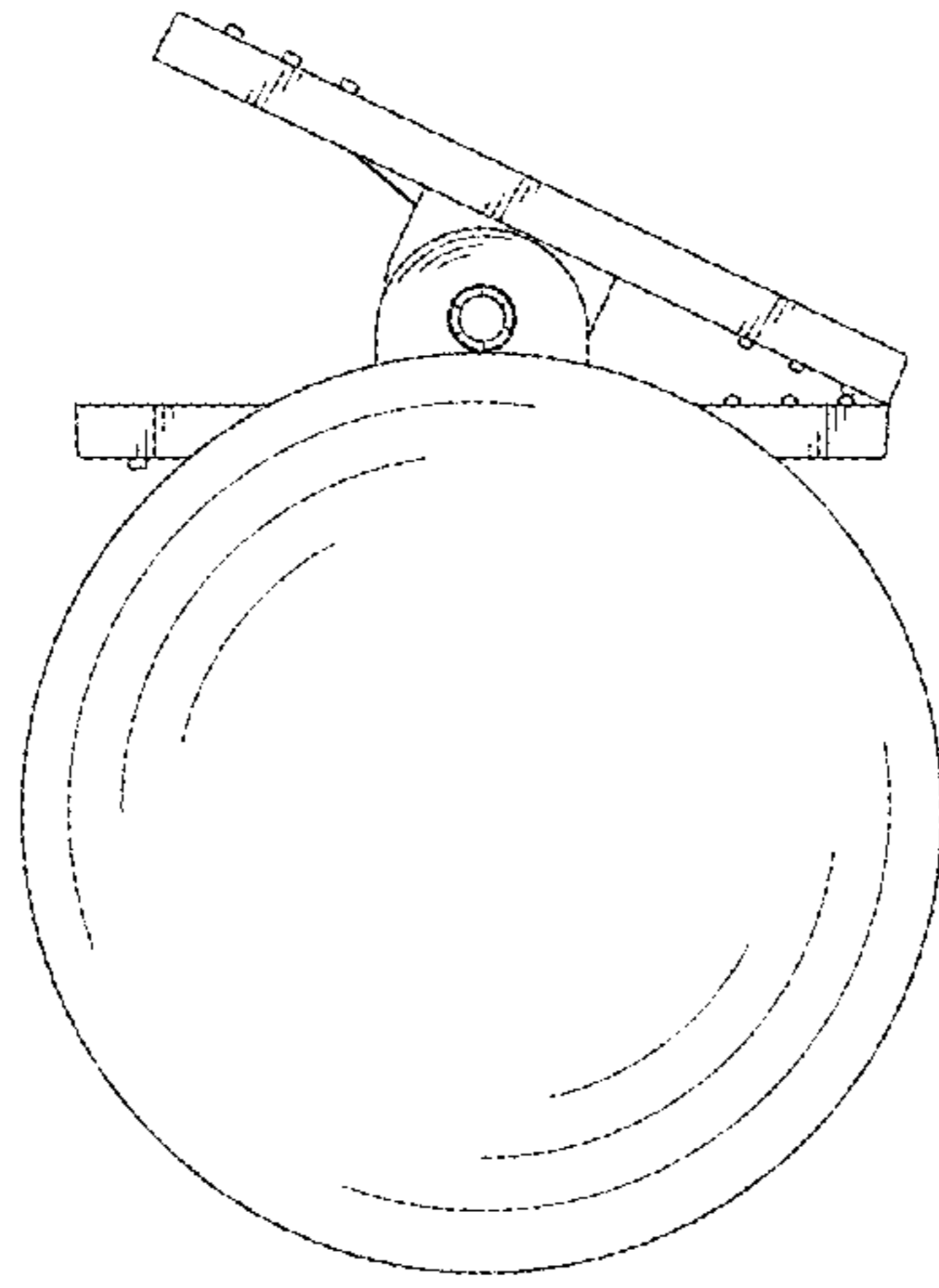


FIG. 7