



US00D971188S

(12) **United States Design Patent**
Deng

(10) **Patent No.:** **US D971,188 S**

(45) **Date of Patent:** **** Nov. 29, 2022**

- (54) **MICROPHONE EMITTER**
- (71) Applicant: **Shenzhen Jiayz Photo Industrial, Ltd, Shenzhen (CN)**
- (72) Inventor: **Gang Deng, Shenzhen (CN)**
- (**) Term: **15 Years**
- (21) Appl. No.: **29/773,641**
- (22) Filed: **Mar. 10, 2021**
- (51) **LOC (13) Cl.** **14-01**
- (52) **U.S. Cl.**
USPC **D14/225; D14/226**
- (58) **Field of Classification Search**
USPC D14/225, 226, 217, 188, 192, 191, 253,
D14/496, 203.7, 137; D13/168, 110;
224/241; 439/131, 76.1; 361/814
CPC H04R 1/02; H04R 19/04; H04R 25/00;
A45F 5/00; A45F 5/02; H04B 1/38;
H04B 1/034; H04M 11/00; H04M 1/00
See application file for complete search history.

- D379,809 S * 6/1997 Lindeman D14/137
- 5,664,292 A * 9/1997 Chen A45F 5/02
24/3.12
- D394,261 S * 5/1998 Chan D14/154
- 5,748,454 A * 5/1998 Nichols H04M 1/0262
24/3.12
- D396,860 S * 8/1998 Yasutomi D14/188
- D409,374 S * 5/1999 Laba D3/218
- 5,950,897 A * 9/1999 Kao A45F 5/021
224/268
- 5,974,304 A * 10/1999 Chen H04B 1/086
455/90.3
- D429,371 S * 8/2000 Matoba D27/141
- D446,499 S * 8/2001 Andre D13/110
- D454,110 S * 3/2002 Andre D13/110
- D496,030 S * 9/2004 Harbeke D14/225

(Continued)

FOREIGN PATENT DOCUMENTS

- EM 007488747-0001 * 1/2020
- EM 008434260-0002 * 2/2021

Primary Examiner — Paula Allen Greene

(57) **CLAIM**

The ornamental design for a microphone emitter, as shown and described.

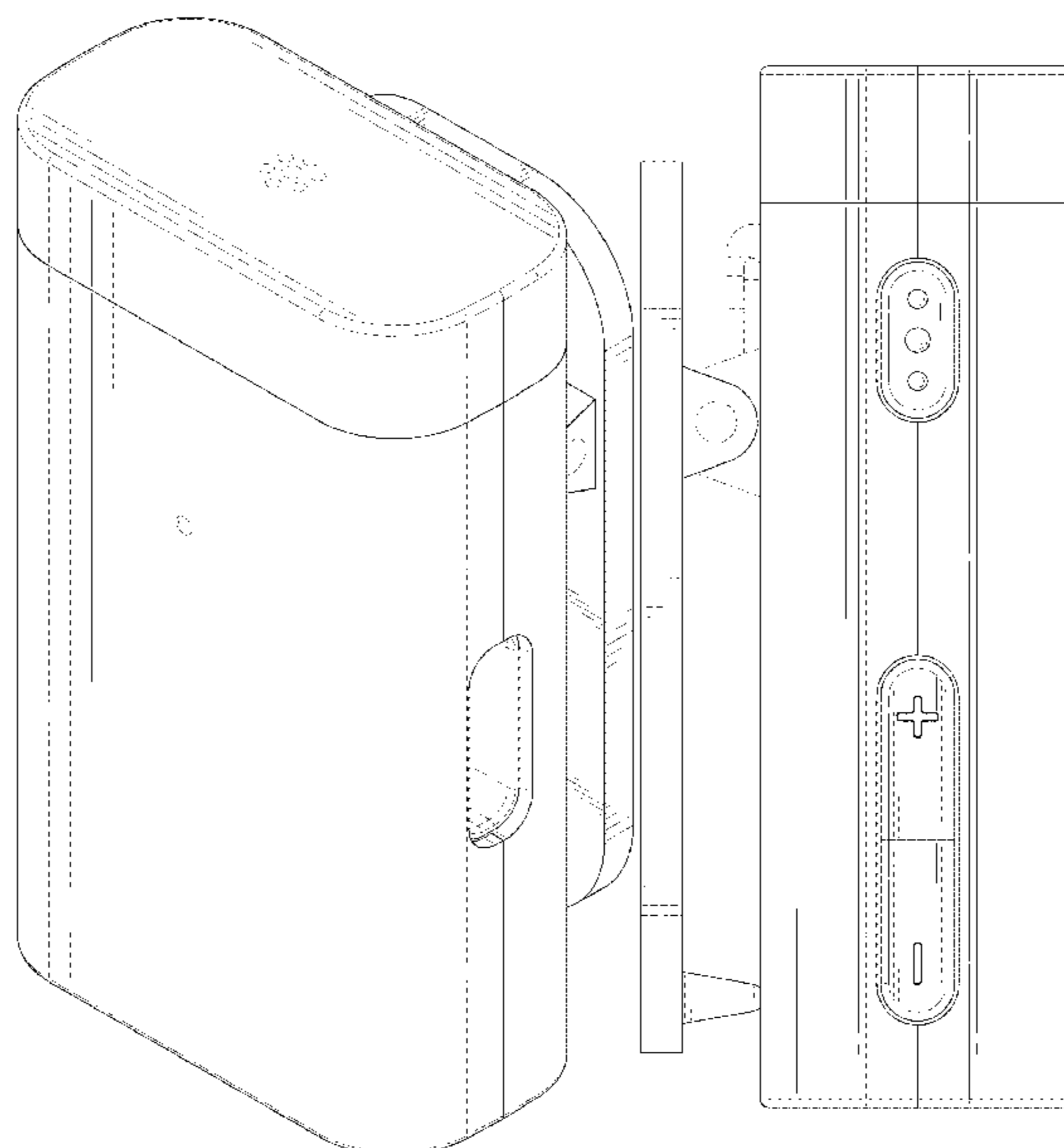
DESCRIPTION

FIG. 1 is a front and top perspective view of a microphone emitter; showing my new design;
 FIG. 2 is a rear and bottom perspective view thereof;
 FIG. 3 is a front elevation view thereof;
 FIG. 4 is a rear elevation view thereof;
 FIG. 5 is a left side elevation view thereof;
 FIG. 6 is a right side elevation view thereof;
 FIG. 7 is a top plan view thereof; and,
 FIG. 8 is a bottom plan view thereof.
 The broken lines in the figures illustrate portions of the microphone emitter that form no part of the claimed design.

1 Claim, 8 Drawing Sheets

(56) **References Cited**
U.S. PATENT DOCUMENTS

- D167,828 S * 9/1952 Florac D14/137
- D223,835 S * 6/1972 Schmidt D14/191
- D229,567 S * 12/1973 Goldman et al. D10/116.1
- D255,446 S * 6/1980 Iwata D14/192
- D262,965 S * 2/1982 Iwata D14/192
- D264,080 S * 4/1982 Iwata D14/191
- D277,753 S * 2/1985 Eckmann D14/191
- D281,975 S * 12/1985 Oyamada D14/197
- D297,431 S * 8/1988 Beard D14/431
- D297,518 S * 9/1988 Yuen D10/106.1
- D304,191 S * 10/1989 Sekine D14/192
- D306,519 S * 3/1990 Nakata D3/206
- 5,081,709 A * 1/1992 Benyo A45F 5/02
224/679
- D340,575 S * 10/1993 Suwa D27/189



(56)

References Cited

U.S. PATENT DOCUMENTS

7,013,164 B2 * 3/2006 Lin H04B 1/207
 455/42
 D539,814 S * 4/2007 Andre D14/203.3
 D541,784 S * 5/2007 Cho D14/138 AD
 D554,616 S * 11/2007 Pierce D14/191
 D558,742 S * 1/2008 Koller D14/225
 D568,877 S * 5/2008 Bodley D14/225
 D579,887 S * 11/2008 Yamane D16/202
 D580,854 S * 11/2008 Kim D3/302
 D581,943 S * 12/2008 Pedersen D14/150
 D583,806 S * 12/2008 Okazaki D14/225
 D586,741 S * 2/2009 Song D13/103
 D587,740 S * 3/2009 Friedman D16/325
 D590,826 S * 4/2009 Andre D14/496
 D592,677 S * 5/2009 Sheba D14/496
 D594,002 S * 6/2009 Kettula D14/240
 D601,490 S * 10/2009 Zhu D13/102
 D604,723 S * 11/2009 Bodley D14/225
 D615,556 S * 5/2010 Yeo D14/203.3
 D616,899 S * 6/2010 Andre D14/496
 D618,207 S * 6/2010 Andre D14/203.3

D618,676 S * 6/2010 Hui D14/300
 D622,213 S * 8/2010 Nomi D13/103
 D626,552 S * 11/2010 Andre D14/496
 D626,770 S * 11/2010 Sloas D6/515
 D649,139 S * 11/2011 Waay D14/225
 D671,020 S * 11/2012 Collins D10/70
 D719,976 S * 12/2014 Bang D14/203.1
 D750,563 S * 3/2016 Hedderich D13/137.1
 D786,106 S * 5/2017 Yau D10/70
 D792,409 S * 7/2017 Shim D14/435
 D815,070 S * 4/2018 Elmieh D14/240
 D835,591 S * 12/2018 Shim D13/184
 D848,984 S * 5/2019 Ohashi D14/225
 D875,036 S * 2/2020 Gan D13/103
 D894,161 S * 8/2020 Ye D14/225
 D900,795 S * 11/2020 Laffon de Mazieres . D14/203.3
 D917,431 S * 4/2021 Gao D14/225
 D925,503 S * 7/2021 Wang D14/228
 D925,504 S * 7/2021 Wang D14/228
 2011/0254509 A1 * 10/2011 Boczer H01M 10/0569
 429/127
 2013/0230752 A1 * 9/2013 Fujihara H01M 50/3425
 429/82

* cited by examiner

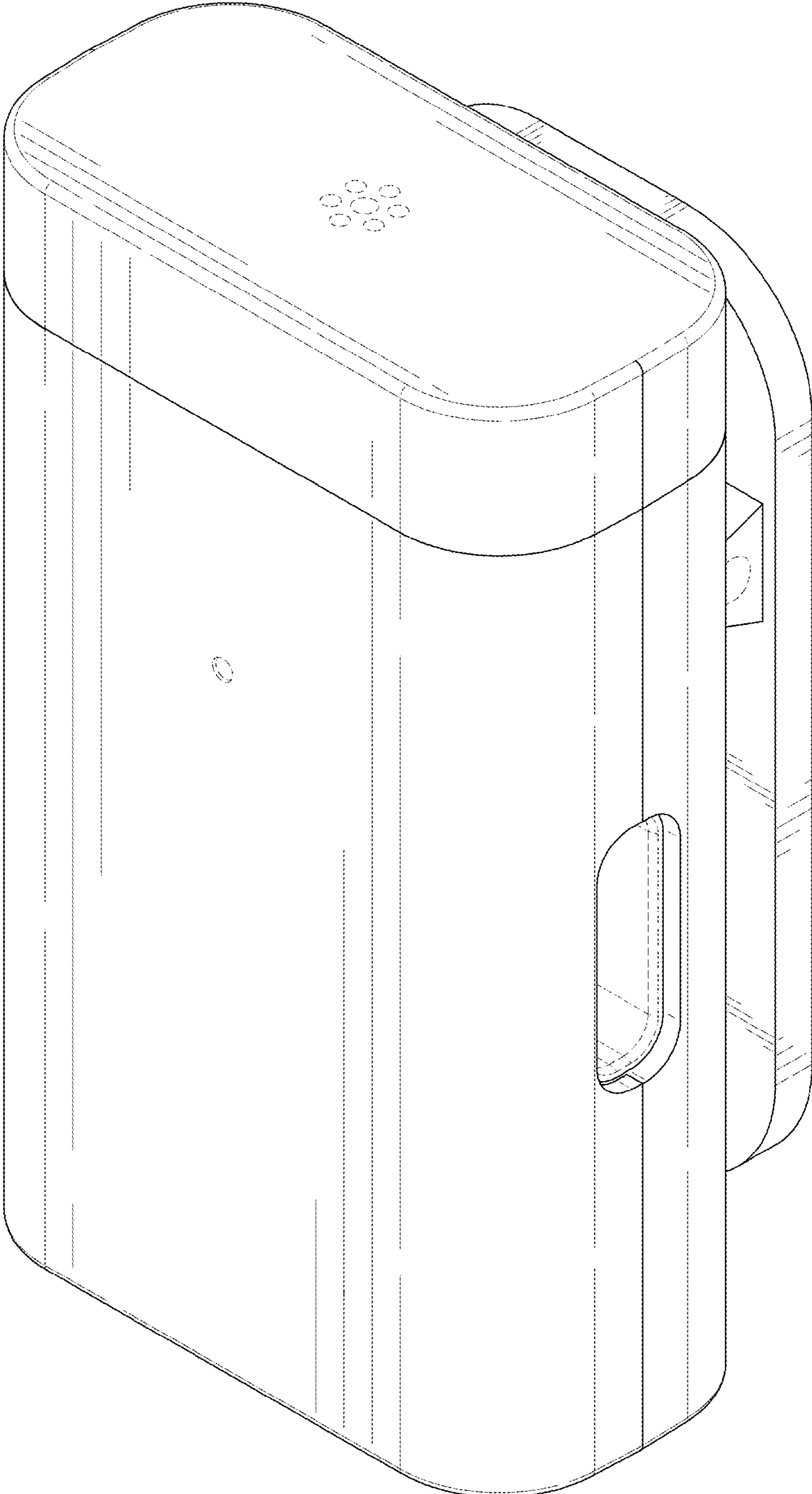


FIG. 1

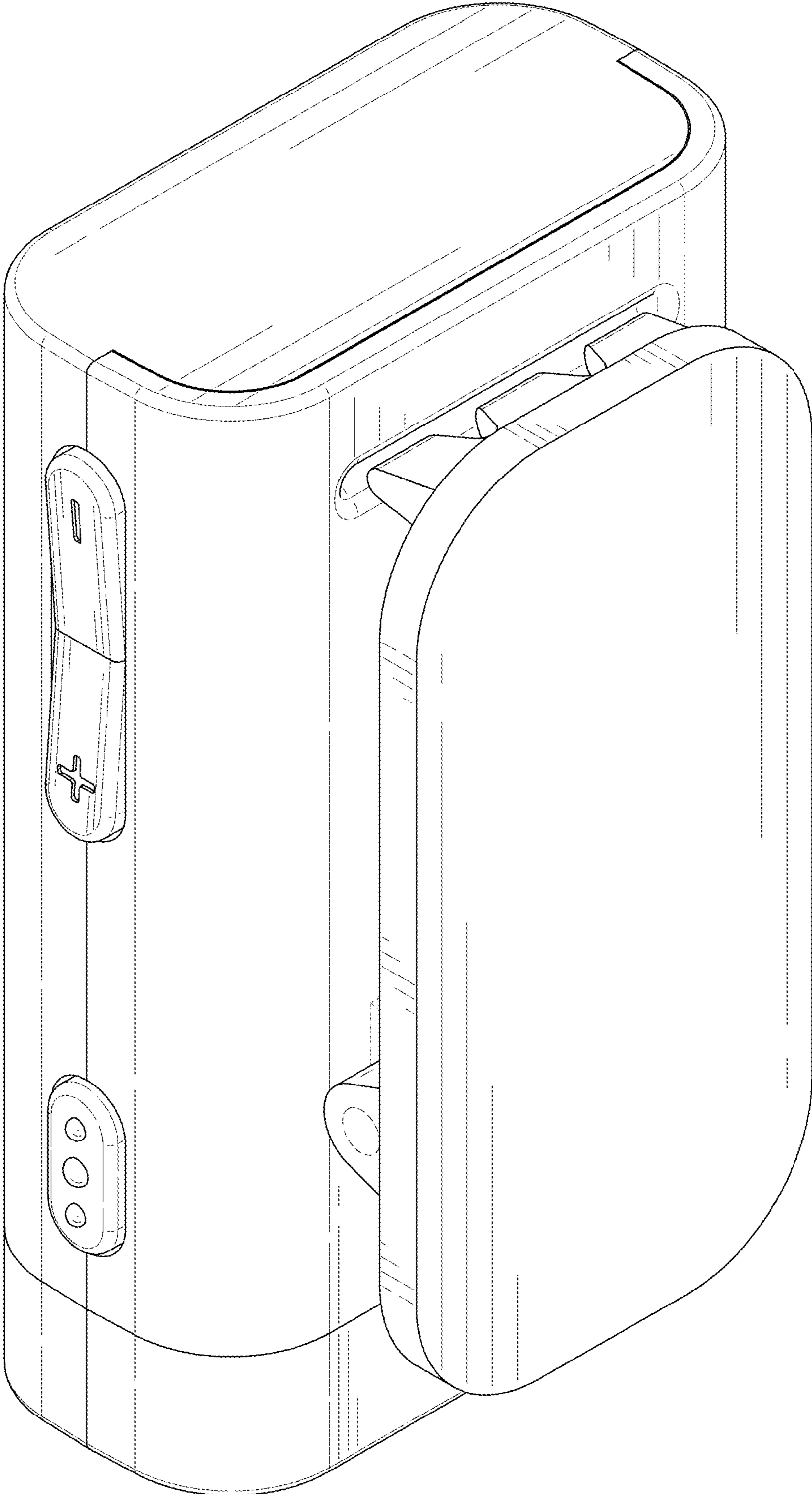


FIG. 2

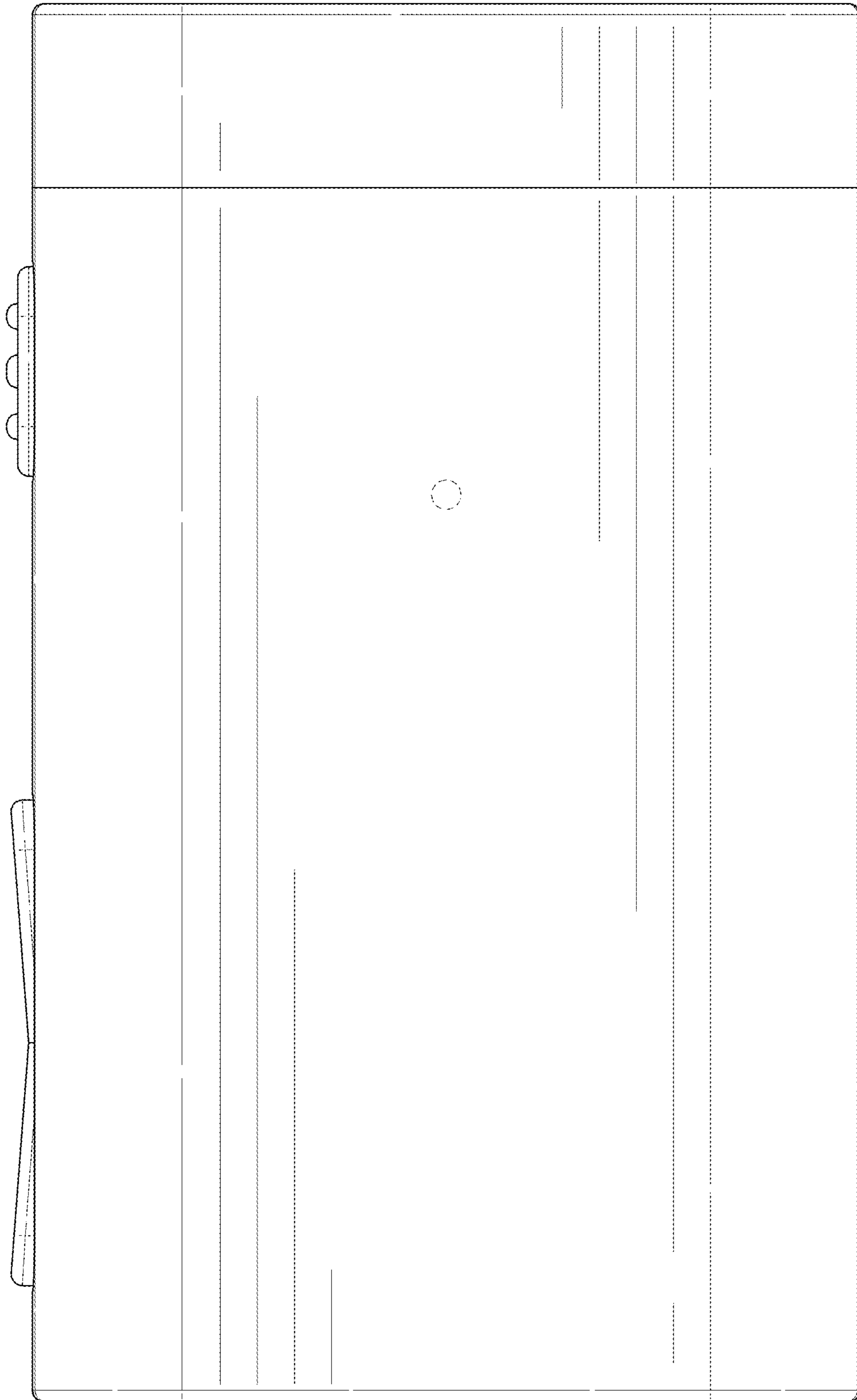


FIG. 3

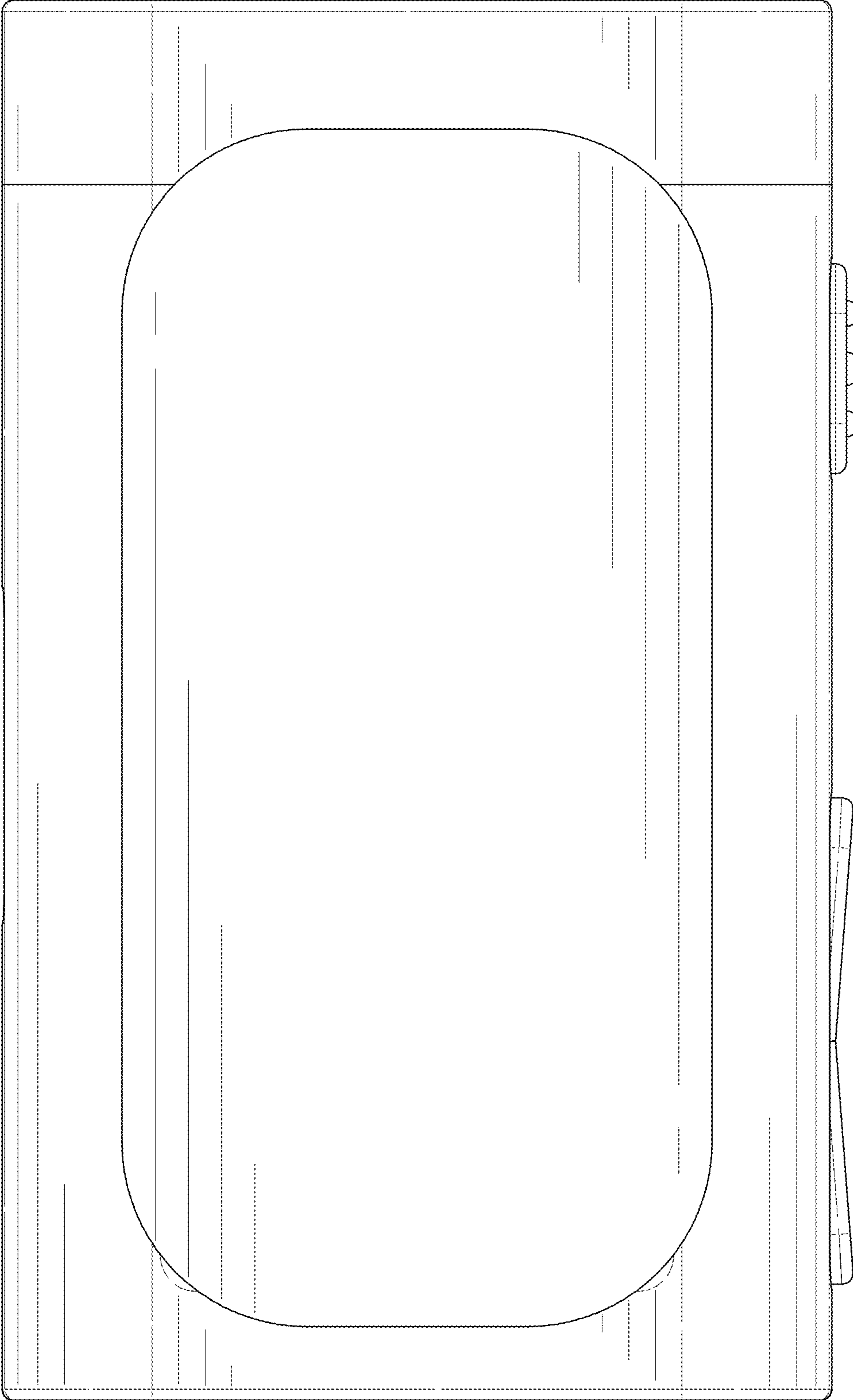


FIG. 4

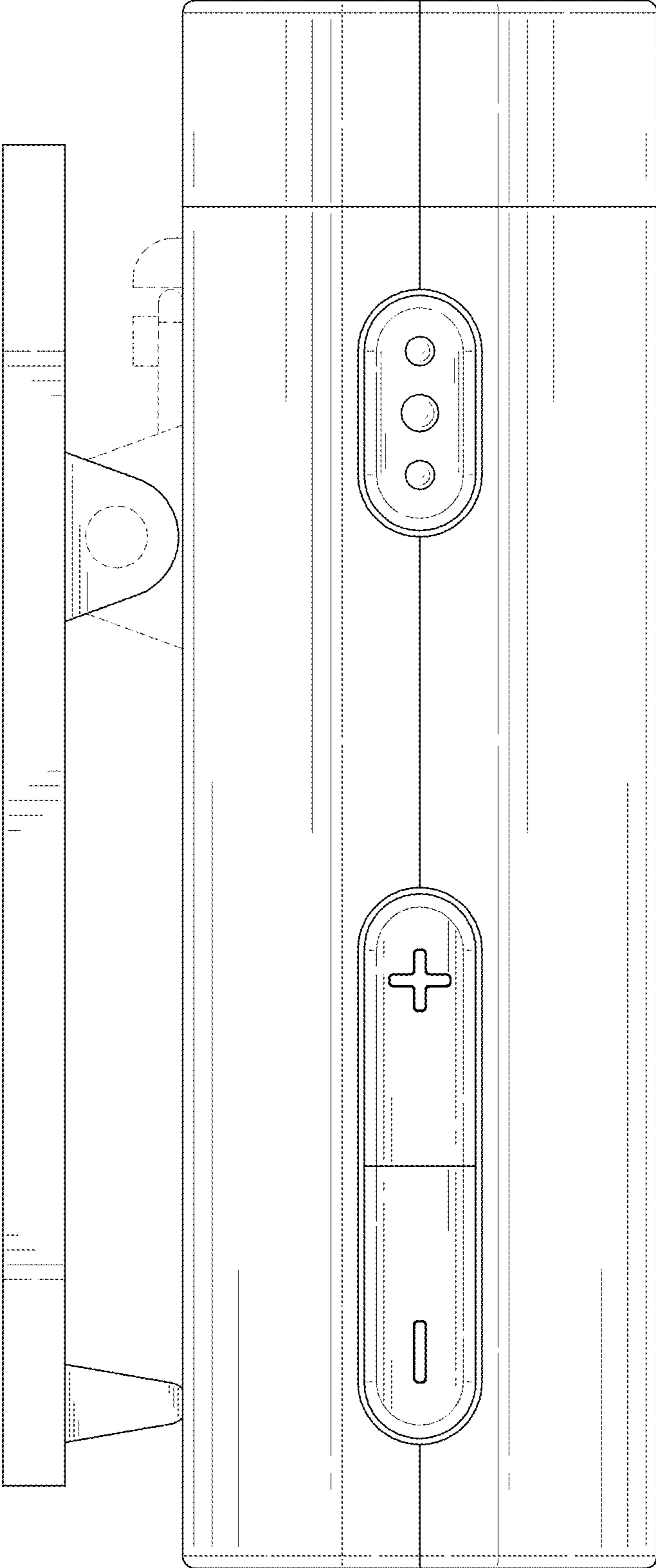


FIG. 5

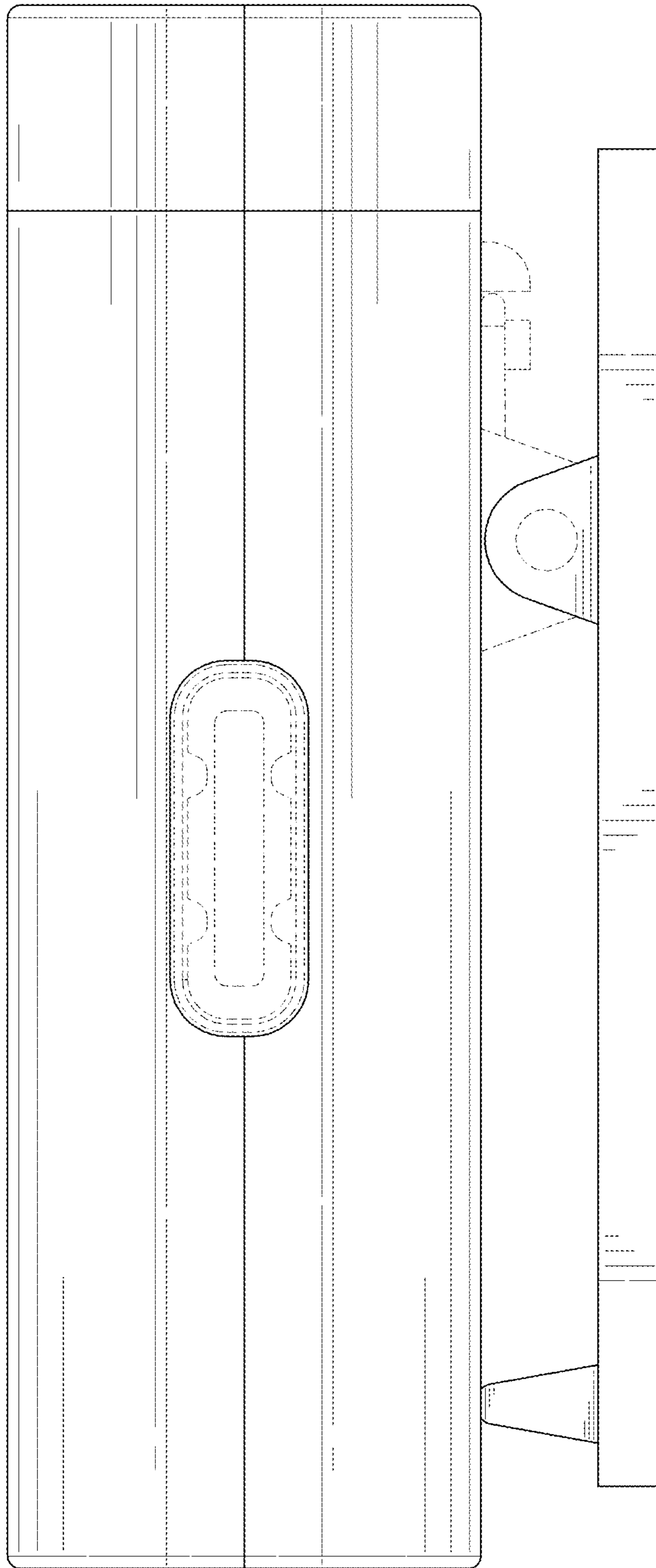


FIG. 6

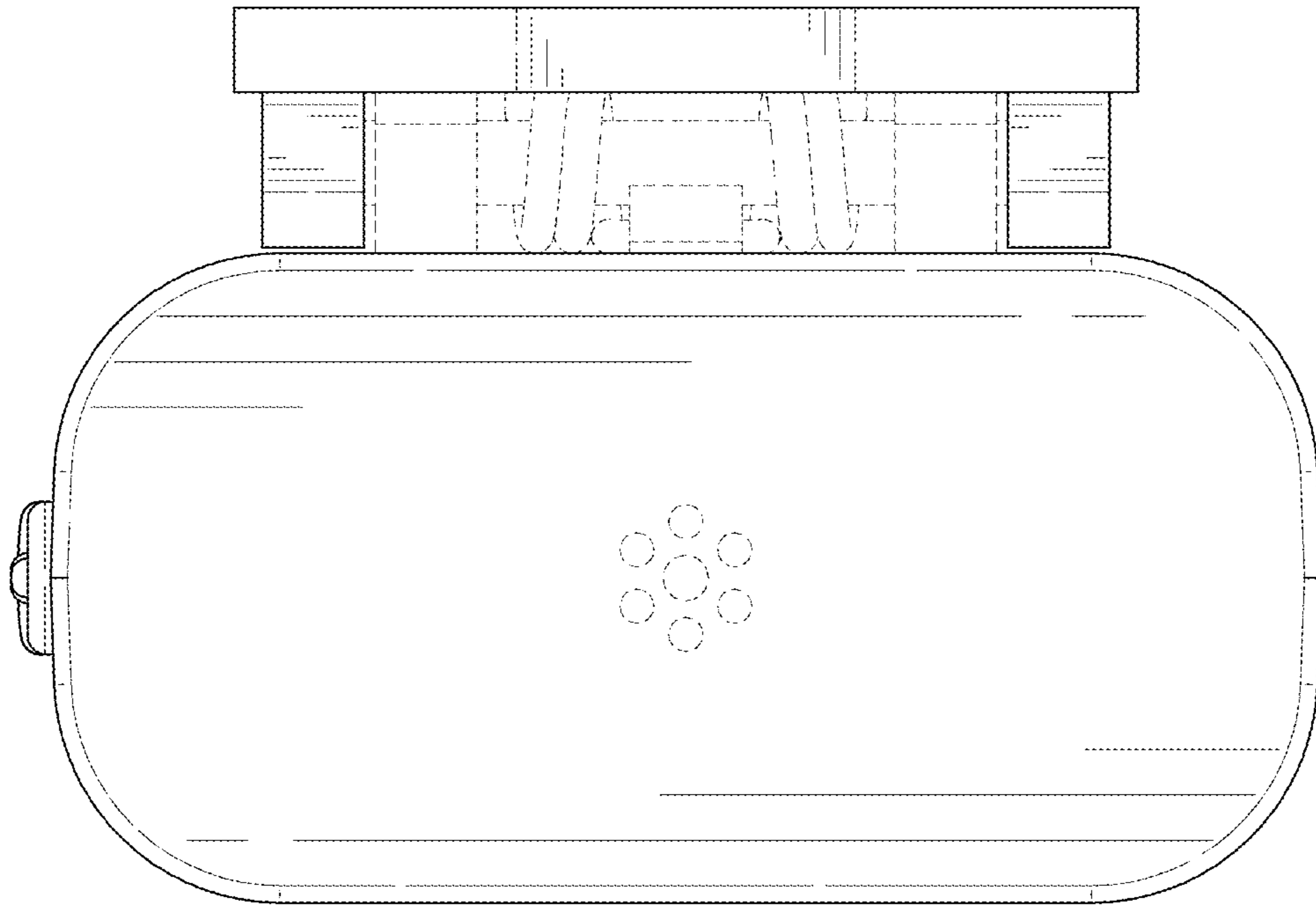


FIG. 7

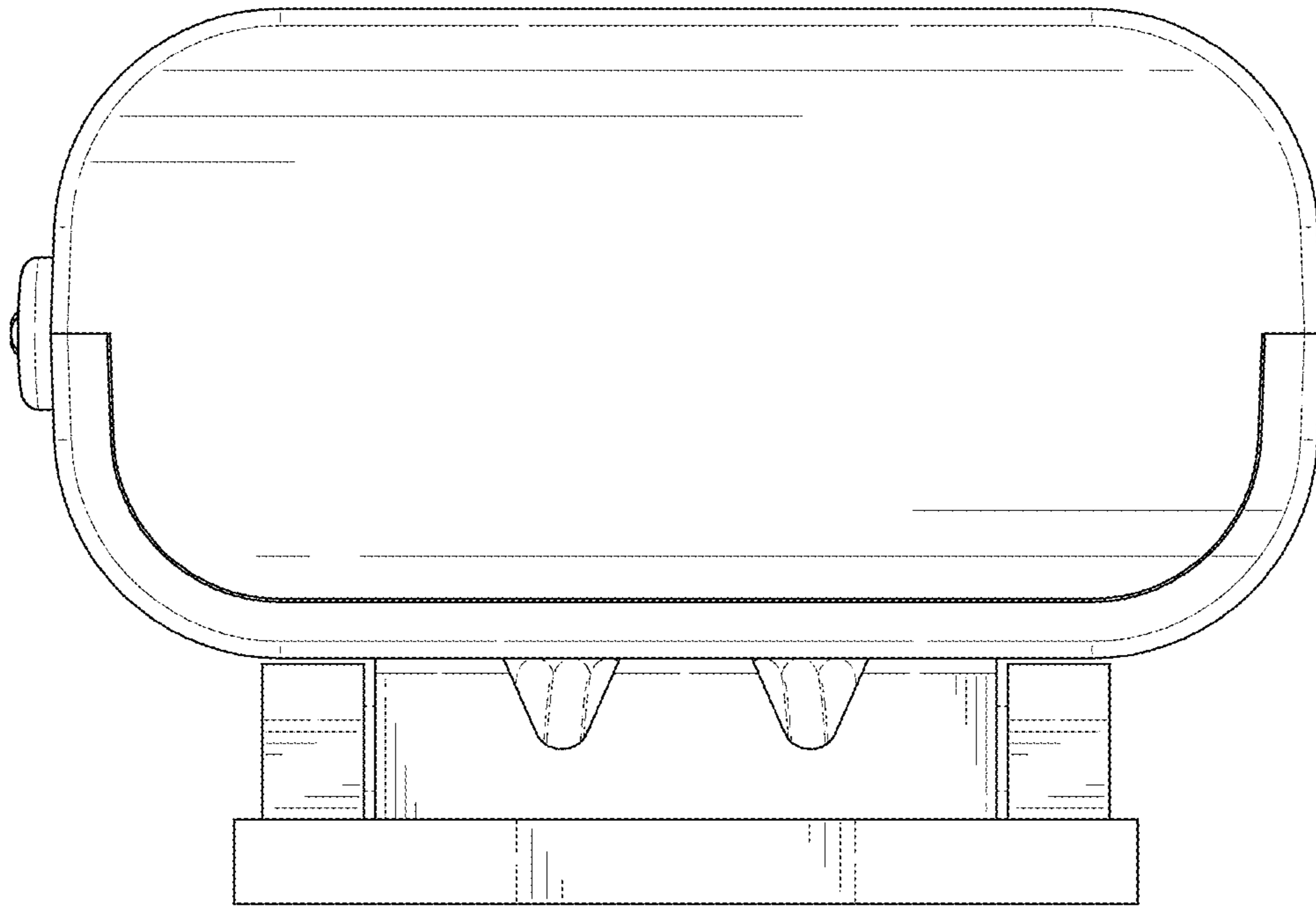


FIG. 8