



US00D971187S

(12) **United States Design Patent**  
**Deng**

(10) **Patent No.:** **US D971,187 S**

(45) **Date of Patent:** **\*\* Nov. 29, 2022**

- (54) **MICROPHONE RECEIVER**
- (71) Applicant: **Shenzhen Jiayz Photo Industrial, Ltd, Shenzhen (CN)**
- (72) Inventor: **Gang Deng, Shenzhen (CN)**
- (\*\*) Term: **15 Years**
- (21) Appl. No.: **29/773,640**
- (22) Filed: **Mar. 10, 2021**
- (51) **LOC (13) Cl.** ..... **14-01**
- (52) **U.S. Cl.**  
USPC ..... **D14/225; D14/226**
- (58) **Field of Classification Search**  
USPC ..... D14/225, 226, 217, 188, 191, 192, 253,  
D14/496, 203.7; D13/110, 168;  
224/241; 439/131, 76.1  
CPC ..... H04R 1/02; H04R 19/04; H04R 25/00;  
A45F 5/00; A45F 5/02; H04B 1/38;  
H04B 1/034; H04M 11/00; H04M 1/00  
See application file for complete search history.

- 5,974,304 A \* 10/1999 Chen ..... H04B 1/086  
455/90.3
- D496,030 S \* 9/2004 Harbeke ..... D14/225
- D500,485 S \* 1/2005 Deguchi ..... D14/480.7
- 7,013,164 B2 \* 3/2006 Lin ..... H04B 1/207  
455/42
- D568,877 S \* 5/2008 Bodley ..... D14/225
- D577,715 S \* 9/2008 Lim ..... D14/240
- D590,826 S \* 4/2009 Andre ..... D14/496
- D592,677 S \* 5/2009 Sheba ..... D14/496
- D594,002 S \* 6/2009 Kettula ..... D14/240
- D596,614 S \* 7/2009 Wilson ..... D14/188
- D601,490 S \* 10/2009 Zhu ..... D13/102
- D602,919 S \* 10/2009 Bodley ..... D14/225

(Continued)

**FOREIGN PATENT DOCUMENTS**

- CN 307458142 \* 7/2022
- EM 008434260-0002 \* 2/2021
- JP D1682907 \* 3/2021

*Primary Examiner* — Paula Allen Greene

(57) **CLAIM**

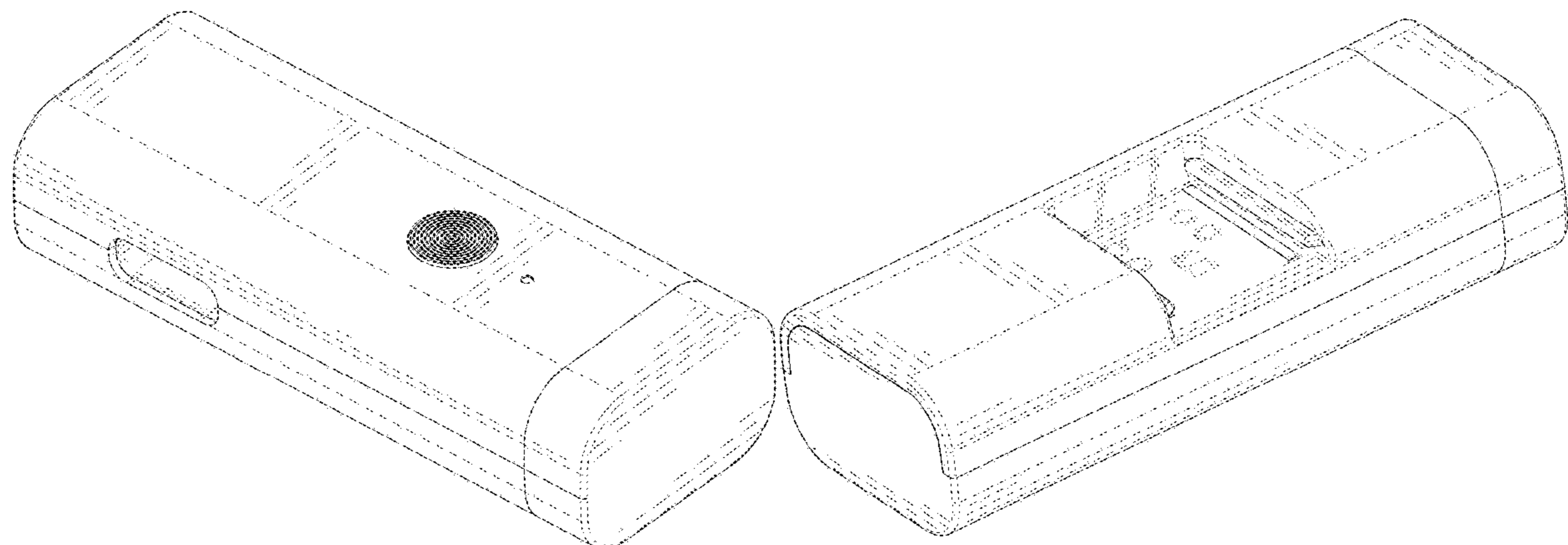
The ornamental design for a microphone receiver, as shown and described.

**DESCRIPTION**

FIG. 1 is a front and top perspective view of a microphone receiver; showing my new design;  
 FIG. 2 is a rear and bottom perspective view thereof;  
 FIG. 3 is a front elevation view thereof;  
 FIG. 4 is a rear elevation view thereof;  
 FIG. 5 is a left side elevation view thereof;  
 FIG. 6 is a right side elevation view thereof;  
 FIG. 7 is a top plan view thereof; and,  
 FIG. 8 is a bottom plan view thereof.  
 The broken lines in the figures illustrate portions of the microphone receiver that form no part of the claimed design.

**1 Claim, 8 Drawing Sheets**

- (56) **References Cited**
- U.S. PATENT DOCUMENTS
- 2,529,701 A \* 11/1950 Maloff ..... G03B 21/625  
524/297
- 2,875,543 A \* 3/1959 Sylvester ..... B44F 1/00  
264/293
- 2,958,148 A \* 11/1960 Sylvester ..... B44F 3/00  
264/293
- 3,693,089 A \* 9/1972 Hutchinson ..... G08B 3/1058  
174/559
- D304,191 S \* 10/1989 Sekine ..... D14/192
- 5,081,709 A \* 1/1992 Benyo ..... A45F 5/02  
224/679
- D366,262 S \* 1/1996 Inaba ..... D14/218
- 5,664,292 A \* 9/1997 Chen ..... A45F 5/02  
24/3.12
- 5,748,454 A \* 5/1998 Nichols ..... H04M 1/0262  
24/3.12



(56)

## References Cited

## U.S. PATENT DOCUMENTS

D604,723 S \* 11/2009 Bodley ..... D14/225  
D615,556 S \* 5/2010 Yeo ..... D14/203.3  
D616,899 S \* 6/2010 Andre ..... D14/496  
D618,207 S \* 6/2010 Andre ..... D14/203.3  
D618,676 S \* 6/2010 Hui ..... D14/300  
D622,213 S \* 8/2010 Nomi ..... D13/103  
D626,552 S \* 11/2010 Andre ..... D14/496  
D626,770 S \* 11/2010 Sloas ..... D6/515  
D649,139 S \* 11/2011 Waay ..... D14/225  
D671,020 S \* 11/2012 Collins ..... D10/70  
D719,976 S \* 12/2014 Bang ..... D14/203.1  
D750,563 S \* 3/2016 Hedderich ..... D13/137.1  
D786,106 S \* 5/2017 Yau ..... D10/70  
D792,409 S \* 7/2017 Shim ..... D14/435  
D815,070 S \* 4/2018 Elmieh ..... D14/240  
D835,591 S \* 12/2018 Shim ..... D13/184  
D848,984 S \* 5/2019 Ohashi ..... D14/225  
D875,036 S \* 2/2020 Gan ..... D13/103  
D894,161 S \* 8/2020 Ye ..... D14/225  
D900,795 S \* 11/2020 Laffon de Mazieres . D14/203.3  
D917,431 S \* 4/2021 Gao ..... D14/225  
D925,503 S \* 7/2021 Wang ..... D14/228  
2002/0127898 A1 \* 9/2002 Liu ..... H01R 31/06  
439/131  
2017/0303036 A1 \* 10/2017 Kurek ..... H04B 1/034

\* cited by examiner

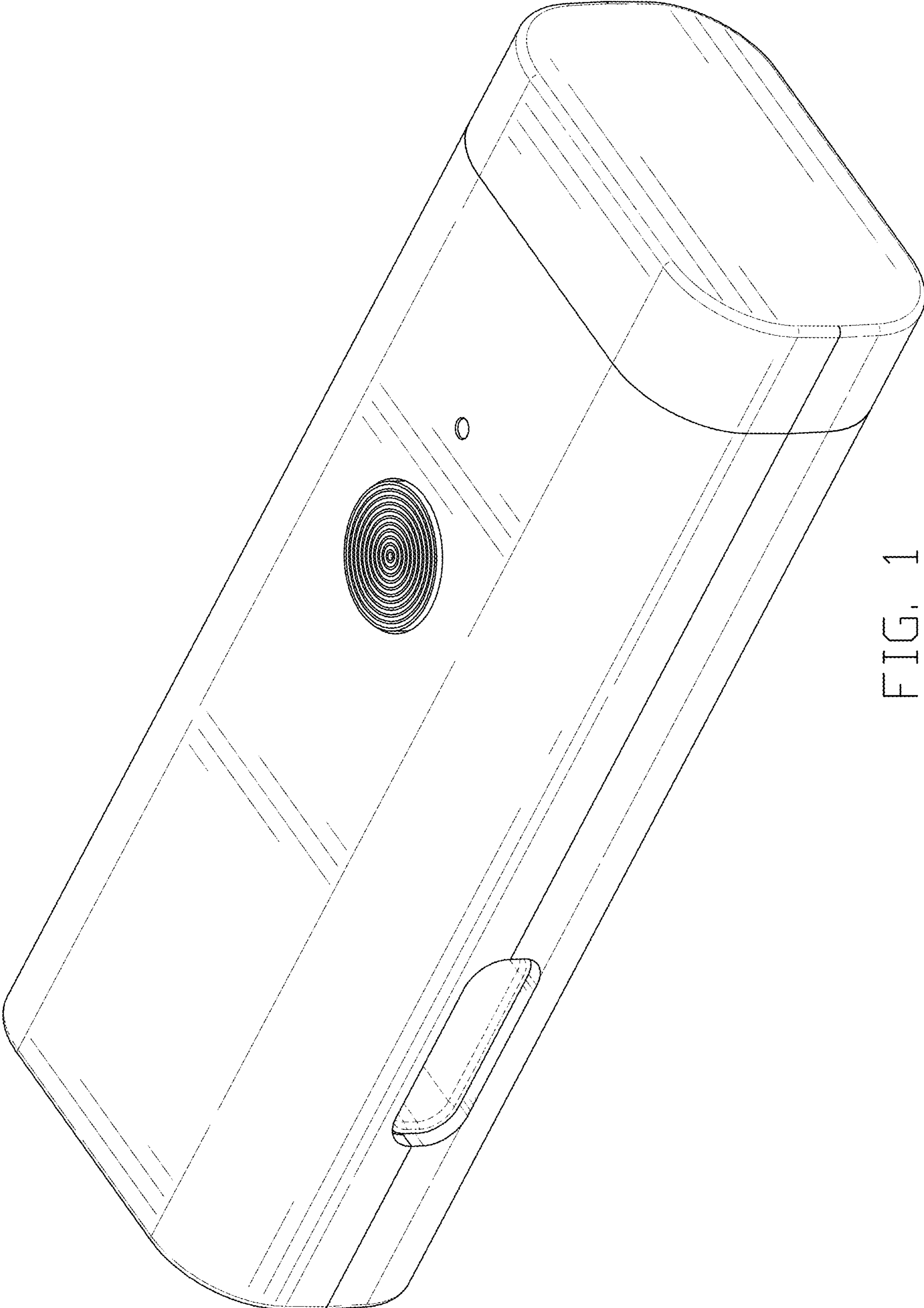


FIG. 1

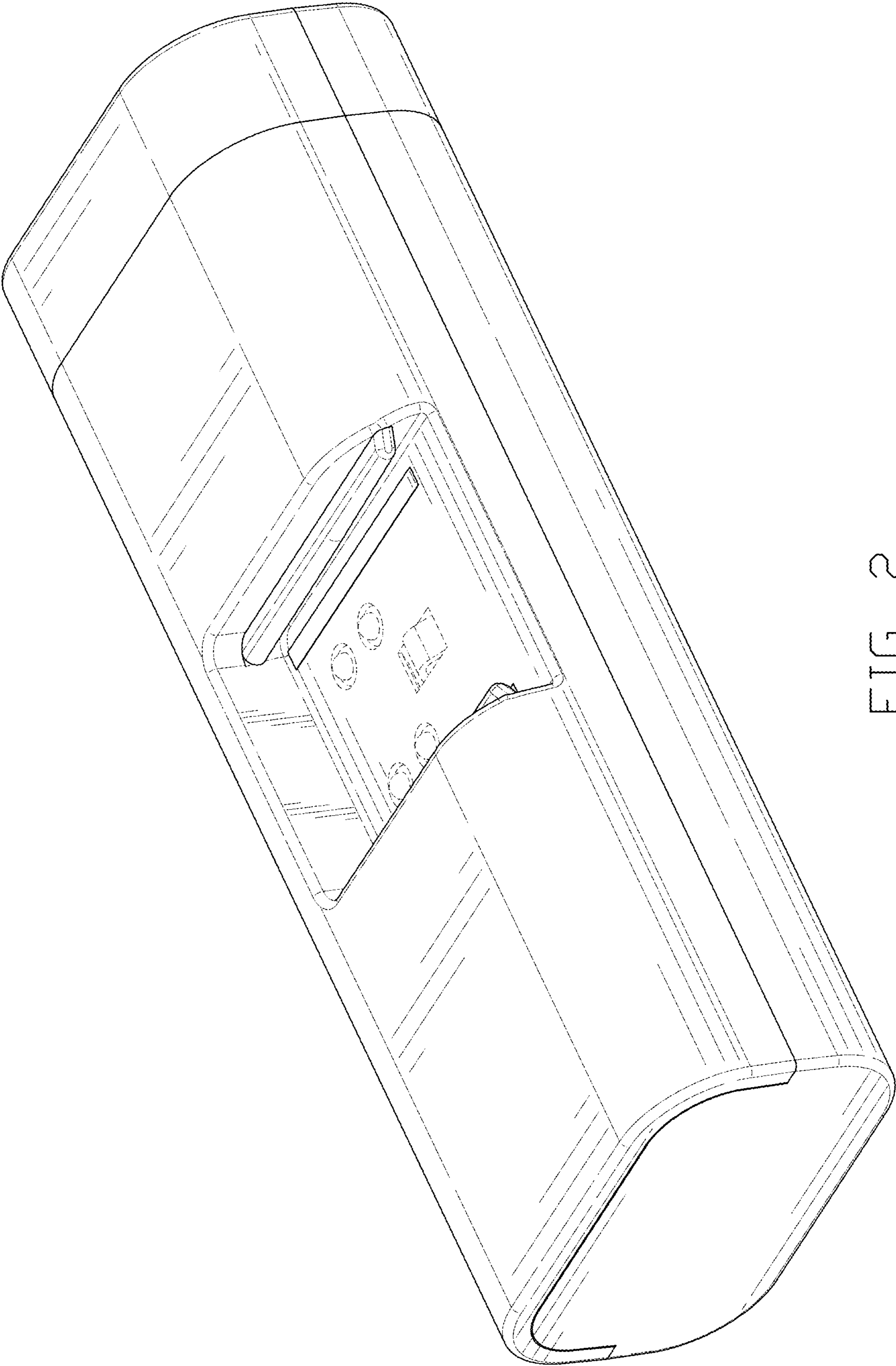


FIG. 2

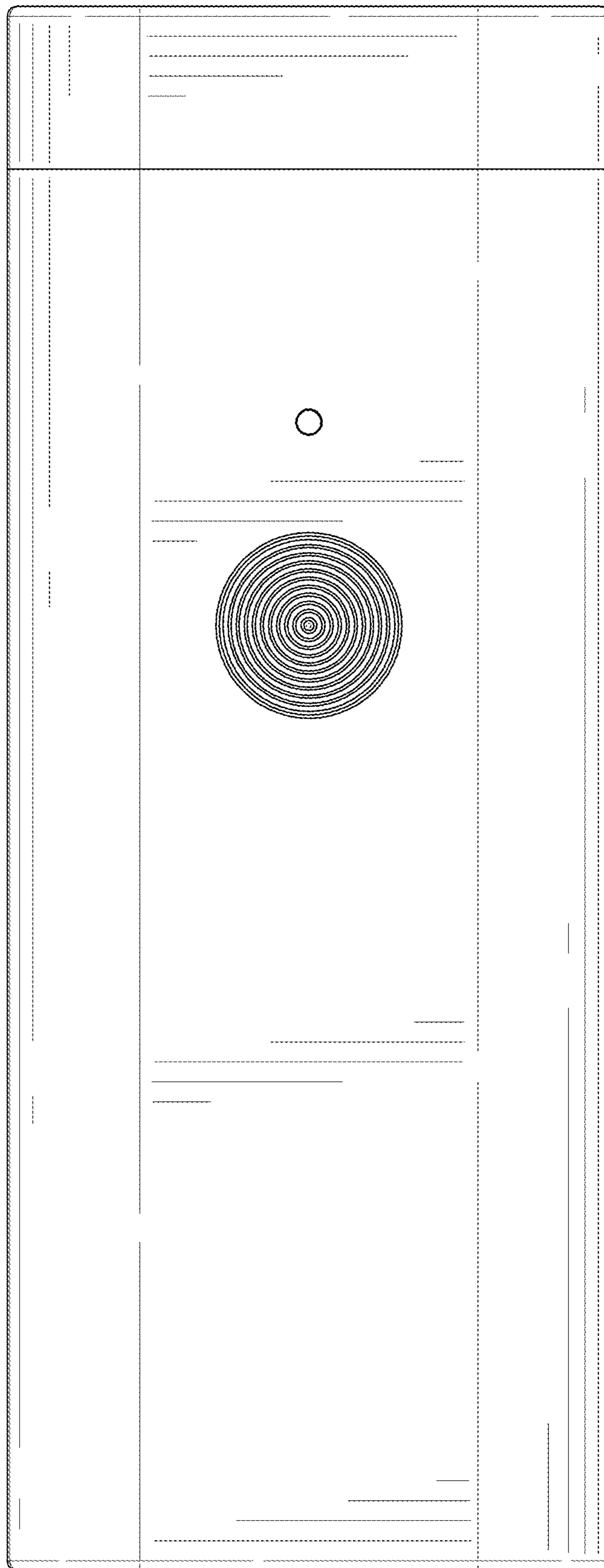


FIG. 3

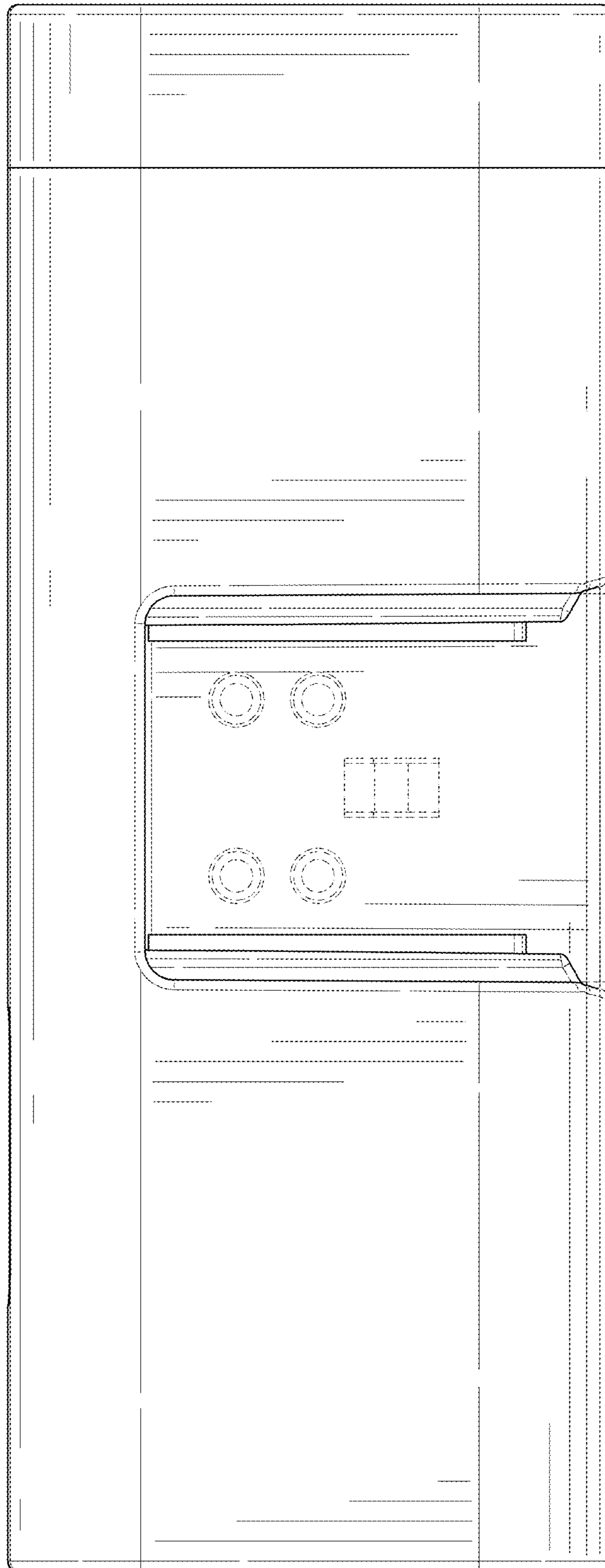


FIG. 4

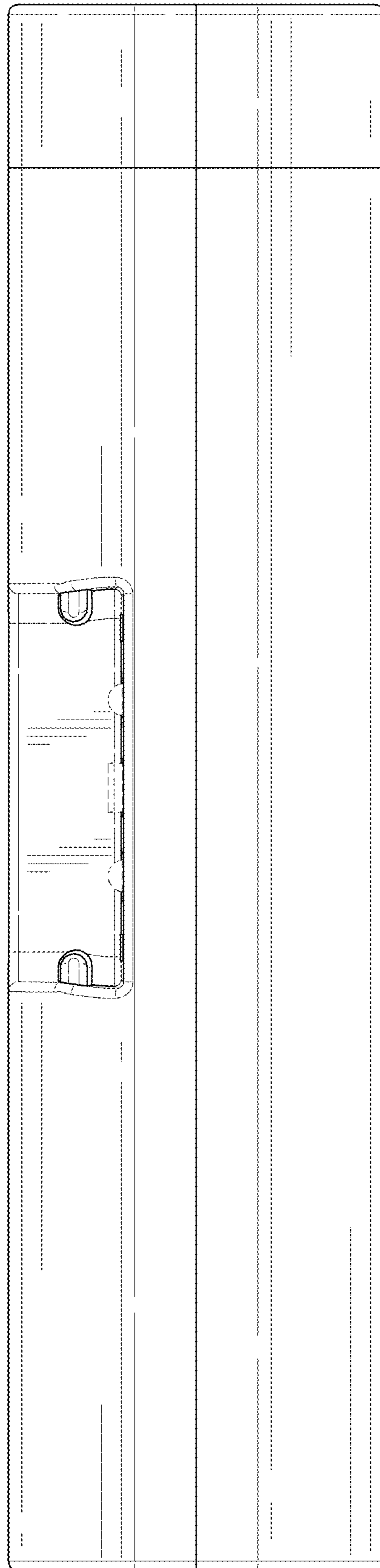


FIG. 5

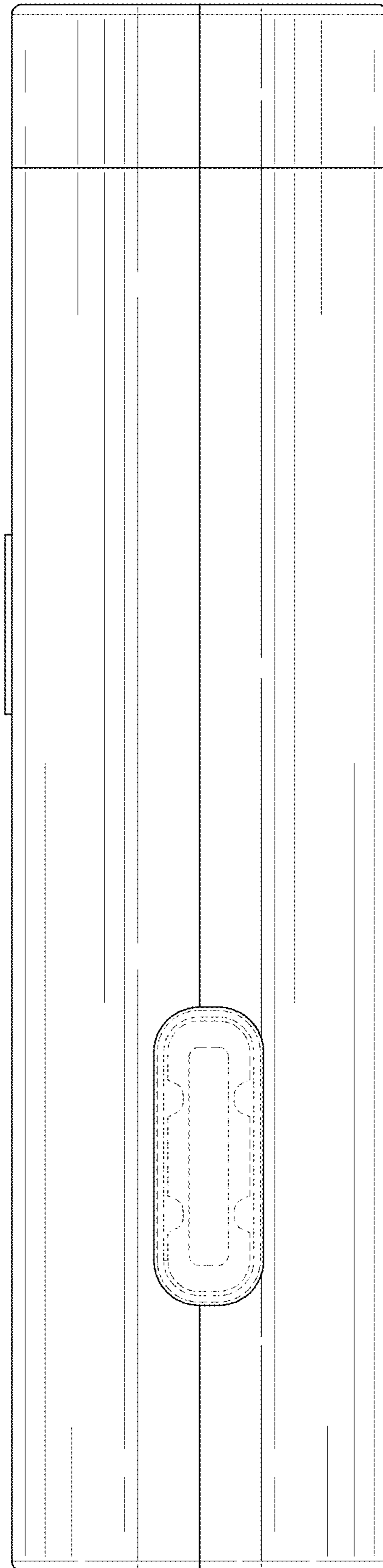


FIG. 6



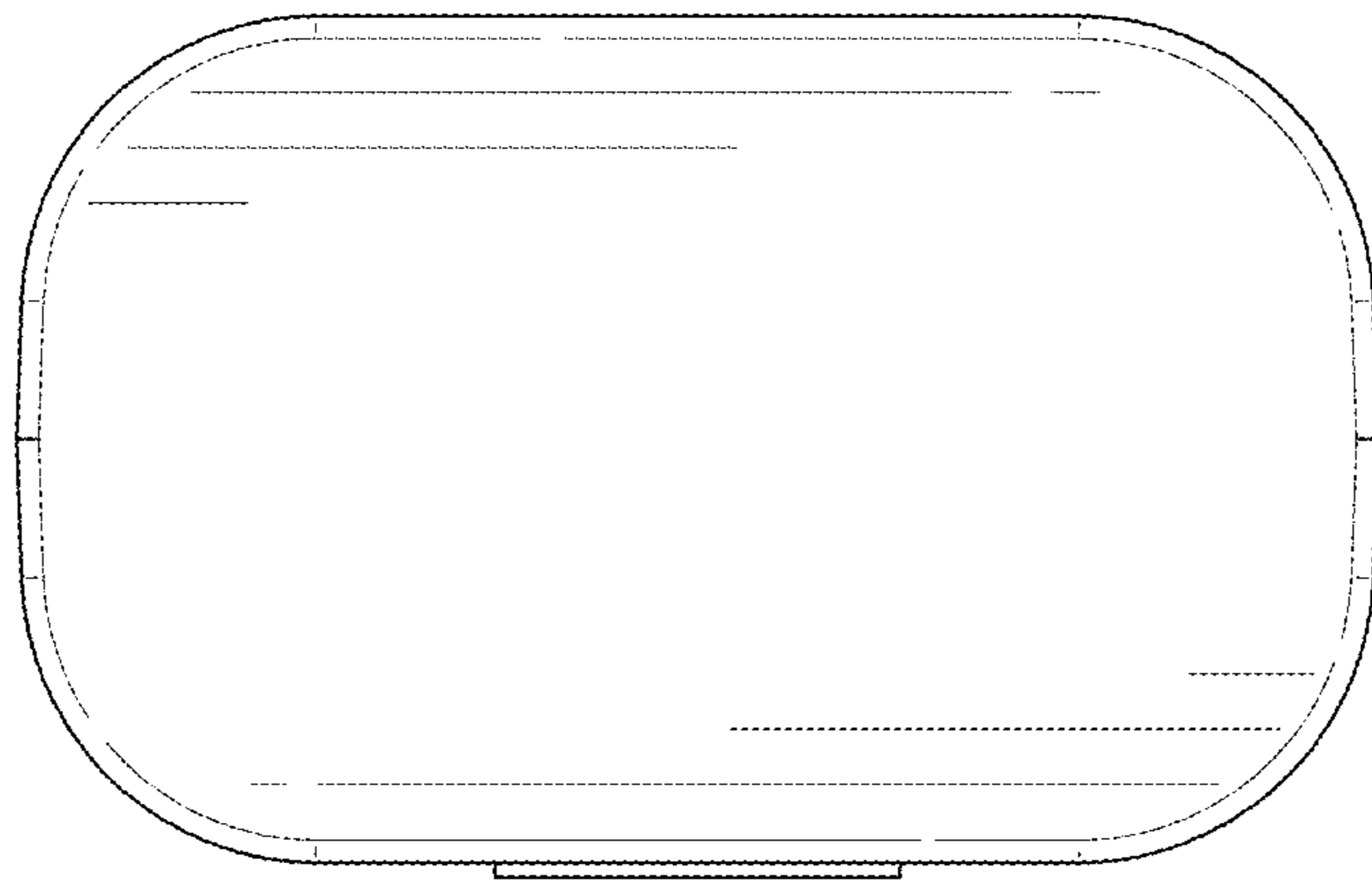


FIG. 7

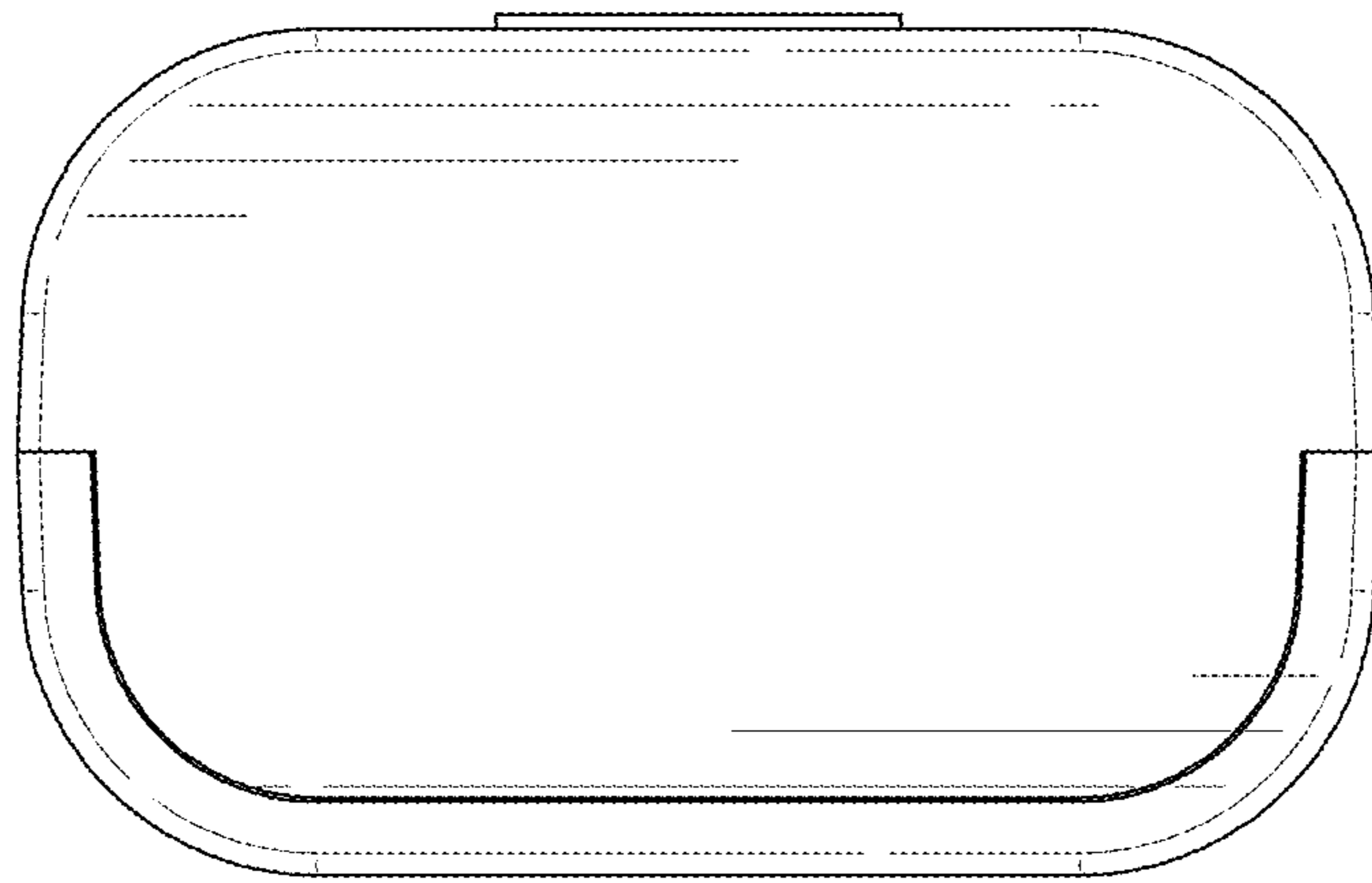


FIG. 8