



US00D971184S

(12) **United States Design Patent** (10) **Patent No.:** **US D971,184 S**
Chen (45) **Date of Patent:** **** Nov. 29, 2022**

(54) **WIRELESS EARBUDS WITH CHARGING CASE**

(74) *Attorney, Agent, or Firm* — Che-Yang Chen; Law Office of Michael Chen

(71) Applicant: **WINBOTECH LIMITED**, HongKong (CN)

(57) **CLAIM**

(72) Inventor: **Daxin Chen**, Guangdong (CN)

The ornamental design for a wireless earbuds with charging case, as shown and described.

(**) Term: **15 Years**

DESCRIPTION

(21) Appl. No.: **29/842,040**

(22) Filed: **Jun. 9, 2022**

(51) **LOC (13) Cl.** **14-01**

(52) **U.S. Cl.**
USPC **D14/223**

(58) **Field of Classification Search**

USPC D14/223, 224, 205; D13/108; D3/201, D3/274, 295; D28/76, 78, 66; D9/748, D9/415, 423, 424, 521, 529, 420, 734, D9/432; D24/174; 128/864-866; 220/4.23, 838

CPC H04R 1/10; H04R 25/00; H04R 1/1066; H04R 1/1016; H04R 5/033; H04R 5/0335; H04R 1/1008; H02J 7/0044; H02J 7/00; A45C 15/00; A45C 11/24

See application file for complete search history.

FIG. 1 is a perspective view of the charging case, of the wireless earbuds and charging case, showing my new design, where the charging case is in an open position and shown separately for ease of illustration;

FIG. 2 is a perspective view thereof from another angle;

FIG. 3 is a perspective view thereof from another angle;

FIG. 4 is a front elevational view thereof;

FIG. 5 is a rear elevational view thereof;

FIG. 6 is a left side elevational view thereof;

FIG. 7 is a right side elevational view thereof;

FIG. 8 is a top plan view thereof;

FIG. 9 is a bottom plan view thereof;

FIG. 10 is a perspective view of the wireless earbuds, of the wireless earbuds and charging case, showing my new design, the wireless earbuds are shown separately for ease of illustration;

FIG. 11 is another perspective view thereof;

FIG. 12 is a front elevational view thereof;

FIG. 13 is a rear elevational view thereof;

FIG. 14 is a left side elevational view thereof;

FIG. 15 is a right side elevational view thereof;

FIG. 16 is a top plan view thereof;

FIG. 17 is a bottom plan view thereof;

FIG. 18 is a perspective view of the wireless earbuds with charging case where the wireless earbuds are received in the charging case; and,

FIG. 19 is a perspective view of the wireless earbuds with charging case, where the charging case is closed.

The broken lines shown in the drawings represent portions of the wireless earbuds with charging case that form no part of the claimed design.

(56) **References Cited**

U.S. PATENT DOCUMENTS

2,506,789 A * 5/1950 Hyde A24F 15/16
206/251

2,687,157 A * 8/1954 Cowan B65D 43/162
220/4.23

(Continued)

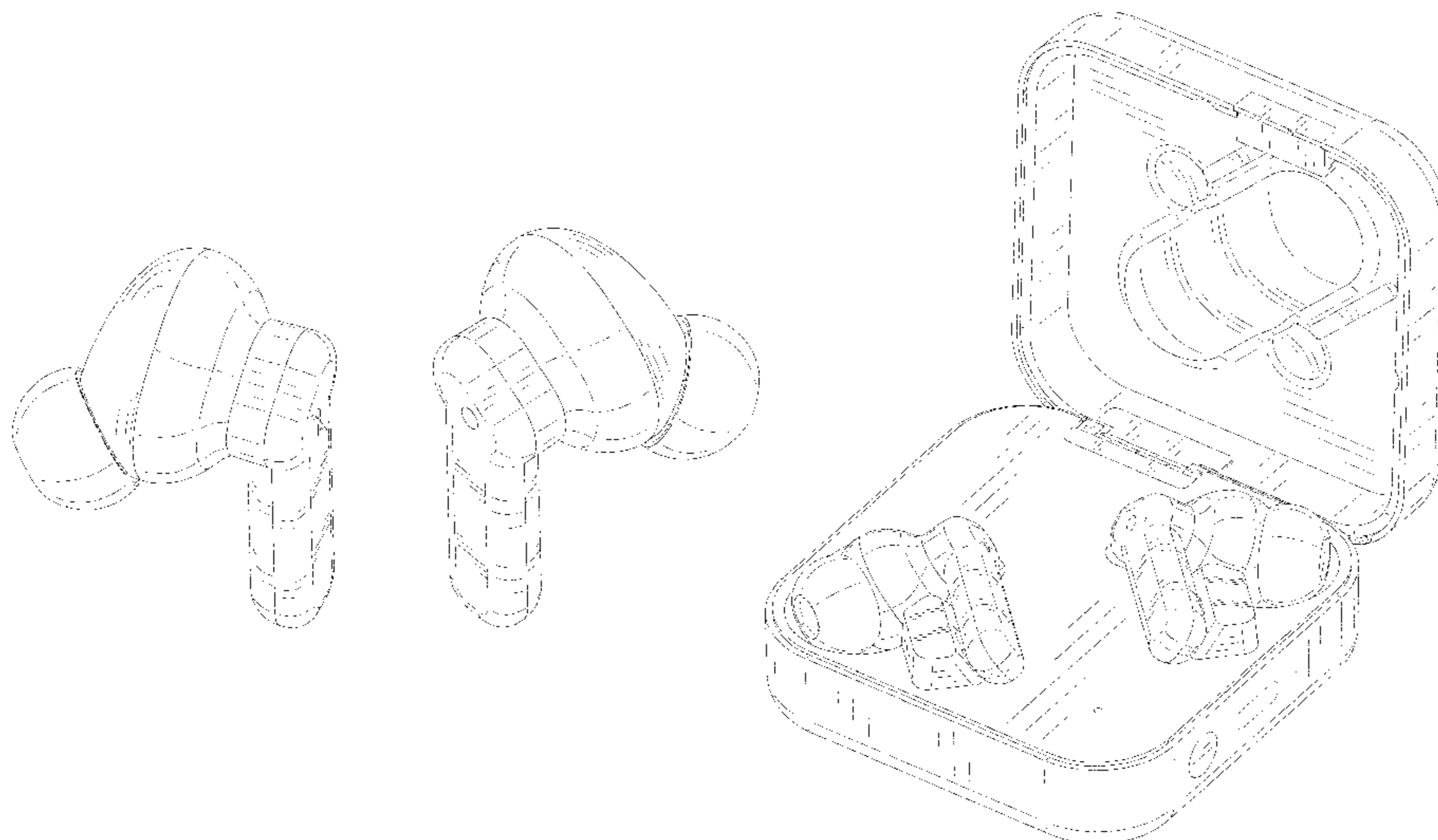
FOREIGN PATENT DOCUMENTS

CN 305988964 * 8/2020
CN 306641834 * 6/2021

(Continued)

Primary Examiner — Paula Allen Greene

1 Claim, 19 Drawing Sheets



(56)

References Cited

U.S. PATENT DOCUMENTS

3,415,407 A * 12/1968 Alden B65D 25/205
220/4.23
3,902,628 A * 9/1975 Schurman B65D 43/164
220/835
3,996,076 A * 12/1976 Tokue C21D 1/60
252/72
4,615,464 A * 10/1986 Byrns B29C 49/0031
220/4.23
D364,485 S * 11/1995 Gavin D28/78
D531,025 S * 10/2006 Tanner D9/426
D533,077 S * 12/2006 Born D9/724
D691,372 S * 10/2013 Chun D3/294
D706,129 S * 6/2014 Boraczek D9/418
D801,314 S * 10/2017 Akana D14/223
D803,184 S * 11/2017 Loh Jun Kern D14/223
D806,648 S * 1/2018 Beedham D13/107
D811,745 S * 3/2018 Davi D3/218
D820,809 S * 6/2018 Akana D14/219
D830,336 S * 10/2018 Cai D14/205
D832,823 S * 11/2018 Xiao D14/223
D839,583 S * 2/2019 Cao D3/201
D844,969 S * 4/2019 Xiao D3/201
D845,932 S * 4/2019 Lu D14/223
D846,264 S * 4/2019 Wu D3/201
D847,125 S * 4/2019 Akana D14/206
D847,794 S * 5/2019 Guo D14/223
D848,983 S * 5/2019 Kim D14/223
D852,784 S * 7/2019 Cramer H04R 1/105
D14/223
D861,647 S * 10/2019 Chen D14/223
D863,262 S * 10/2019 Roberts D14/223
D864,110 S * 10/2019 Yoshimura D3/294
D864,165 S * 10/2019 Roberts D14/223
D864,169 S * 10/2019 Min D14/223
D865,720 S * 11/2019 Deng D14/223
D869,445 S * 12/2019 Hu D14/223
D870,451 S * 12/2019 Birger D14/223
D872,711 S * 1/2020 Hu D14/223
D873,217 S * 1/2020 Zhang D3/294
D881,810 S * 4/2020 Zhang D13/108
D882,259 S * 4/2020 Liu D3/269
D882,262 S * 4/2020 Zhang D3/294
D883,260 S * 5/2020 Hu D14/223
D887,396 S * 6/2020 Wang D14/223
10,701,472 B1 * 6/2020 Xu H02J 7/0044

D889,436 S * 7/2020 Zhang D14/206
D890,138 S * 7/2020 Peng D14/223
D890,725 S * 7/2020 Liu D14/223
D893,462 S * 8/2020 Liu D14/223
D895,579 S * 9/2020 Yang D14/223
D895,582 S * 9/2020 Wu D14/223
D896,206 S * 9/2020 Xu D14/223
D896,207 S * 9/2020 He D14/223
D897,998 S * 10/2020 Ma D14/223
D899,085 S * 10/2020 Bristol D3/289
D902,589 S * 11/2020 Li D3/294
D904,764 S * 12/2020 Koneru D3/294
D905,018 S * 12/2020 Zhu D14/223
D908,084 S * 1/2021 He D3/294
D910,600 S * 2/2021 Zhang D14/223
D913,223 S * 3/2021 Li D3/294
D914,652 S * 3/2021 Chen D14/223
D916,684 S * 4/2021 Fang D14/223
D919,294 S * 5/2021 Fang D3/294
D921,615 S * 6/2021 Wu D14/223
D924,209 S * 7/2021 Wu D14/223
D925,498 S * 7/2021 Lin D14/223
D932,472 S * 10/2021 Wang D14/223
D934,839 S * 11/2021 Zhong D14/223
D945,963 S * 3/2022 Wu D3/294
D946,513 S * 3/2022 Lin D14/223
D951,917 S * 5/2022 Chen D14/223
D952,610 S * 5/2022 Deng D3/274
D957,366 S * 7/2022 Hachiri D14/223
D961,508 S * 8/2022 Zhang D14/223
D962,203 S * 8/2022 Zhang D14/223
2012/0237074 A1 * 9/2012 Aase H04R 1/1058
29/858
2018/0022534 A1 * 1/2018 McCormick B65D 83/0805
206/278
2020/0084532 A1 * 3/2020 Lo H02J 7/0044
2020/0252715 A1 * 8/2020 Zhou H04R 1/1016
2020/0412143 A1 * 12/2020 Chang H04R 1/1025

FOREIGN PATENT DOCUMENTS

CN 306893013 * 10/2021
CN 307278794 * 4/2022
EM 007481684-0001 * 1/2020
JP D1661080 * 5/2020
KR 301069690.0000 * 8/2020

* cited by examiner

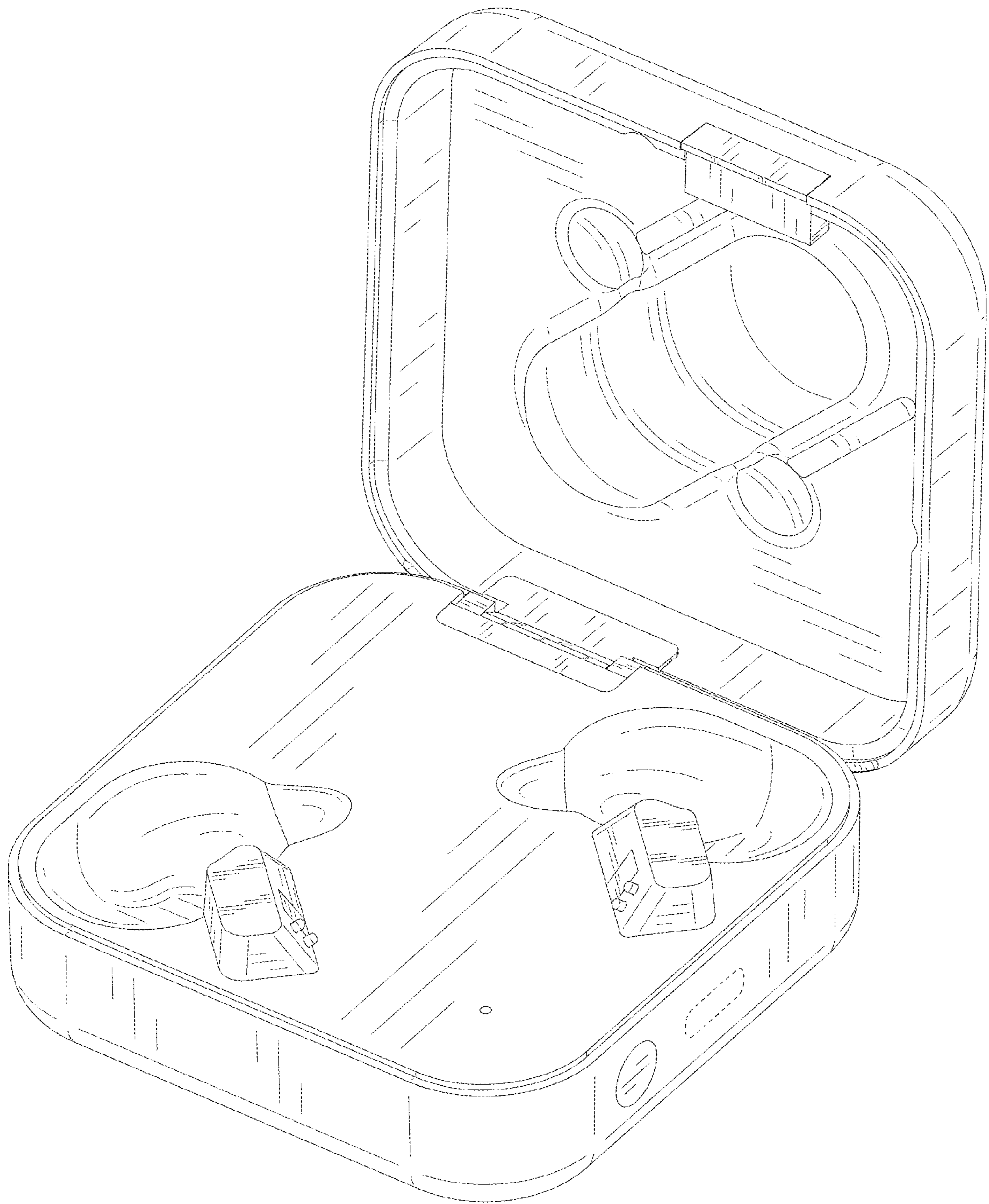


FIG. 1

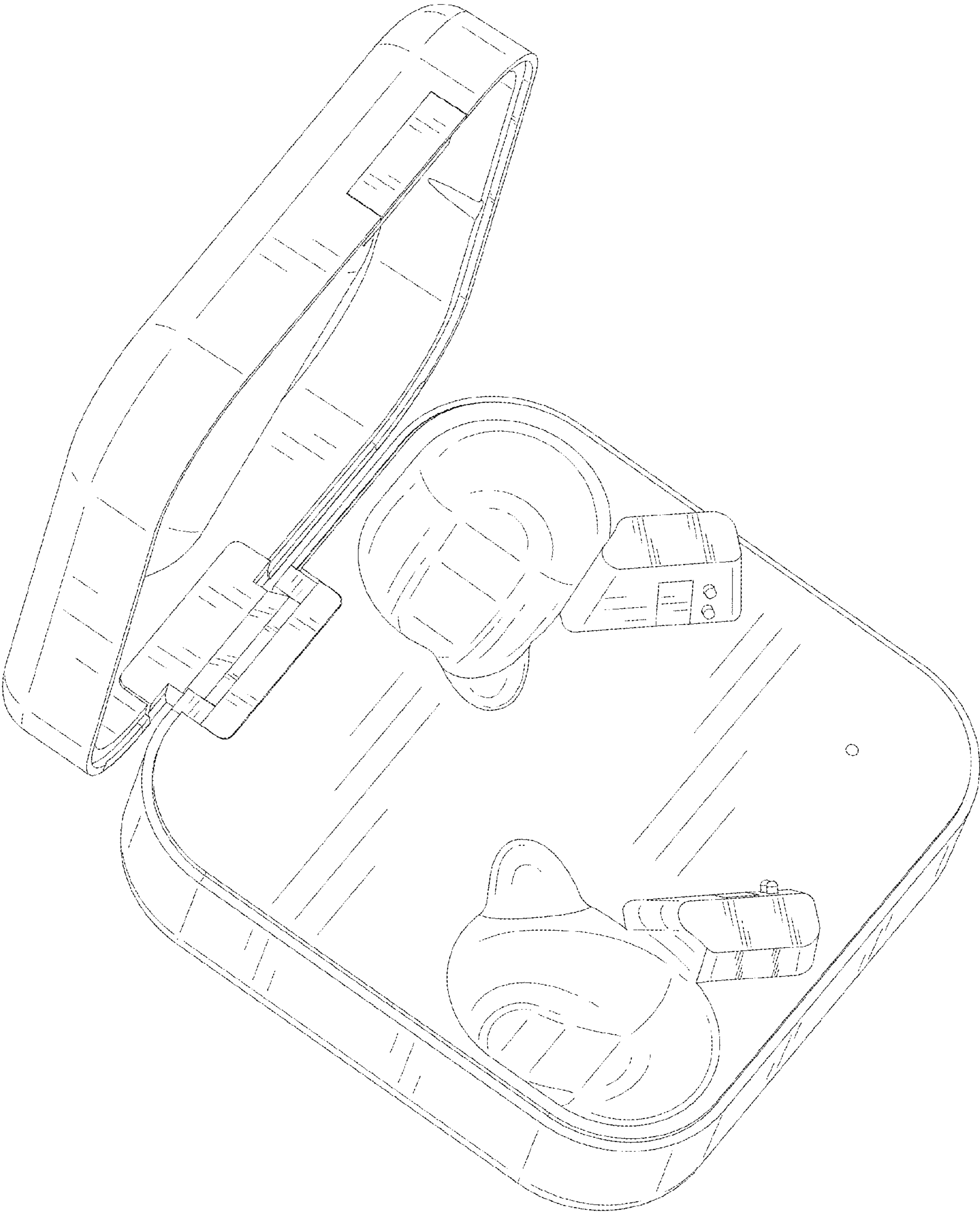


FIG. 2

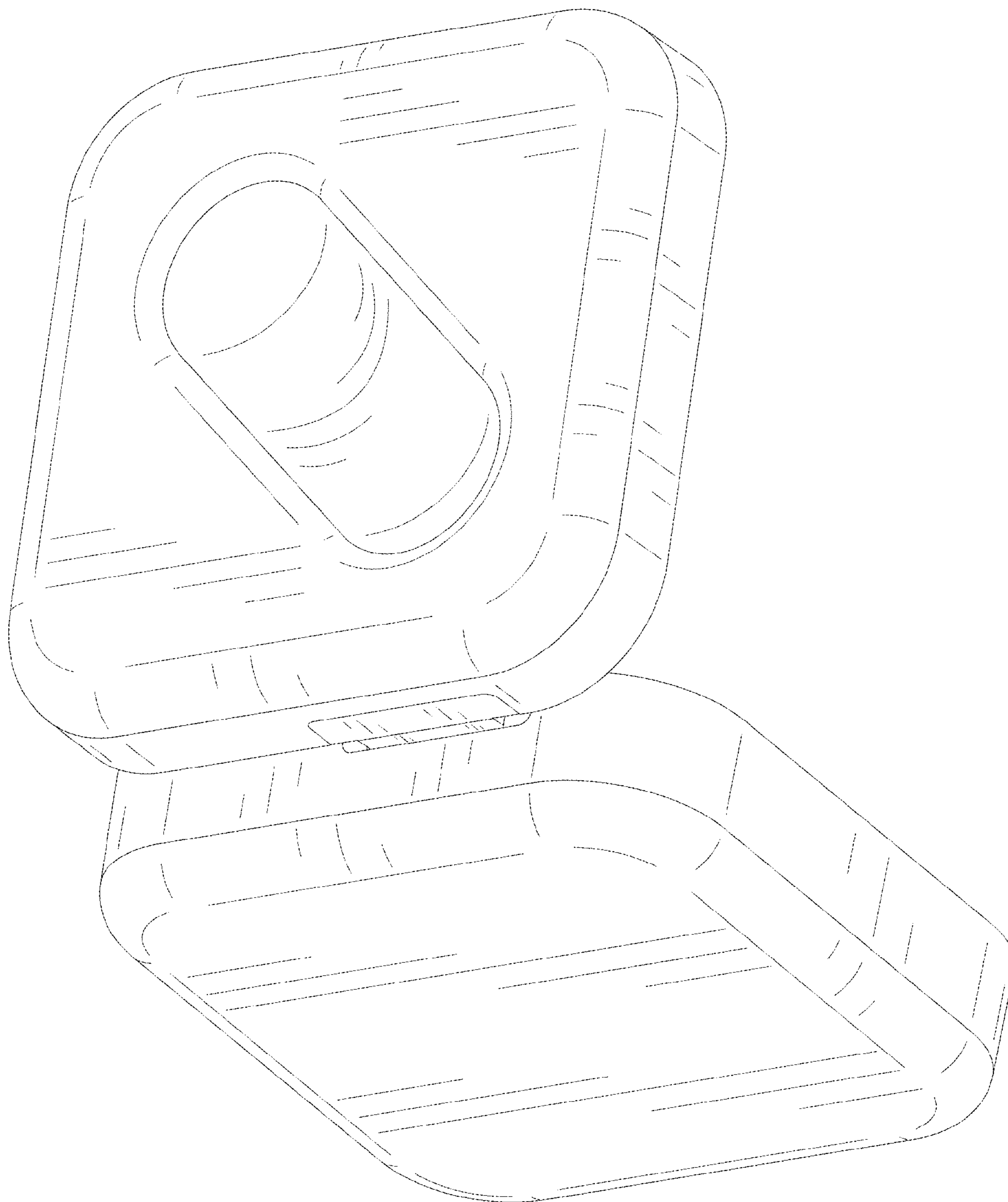


FIG. 3

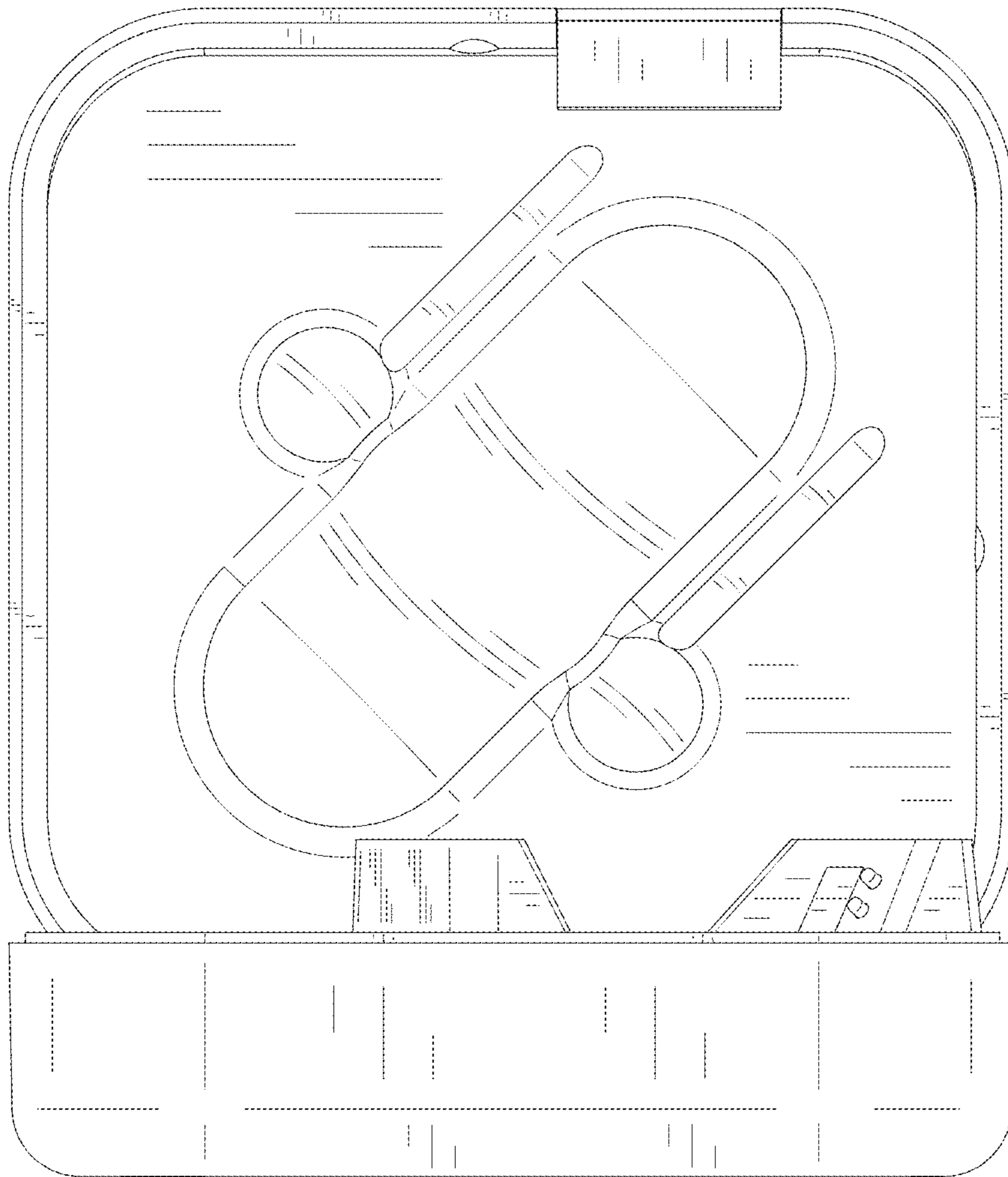


FIG. 4

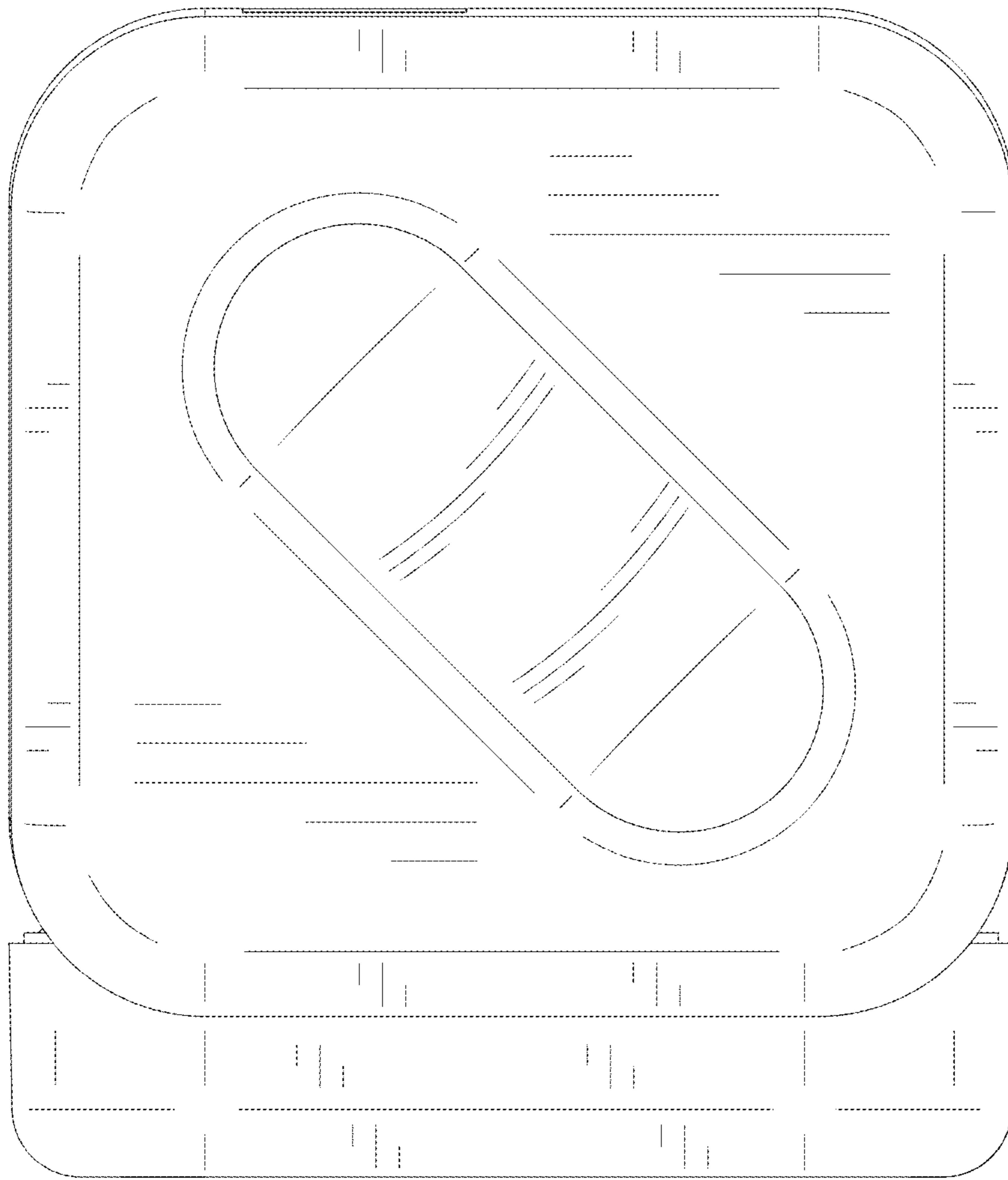


FIG. 5

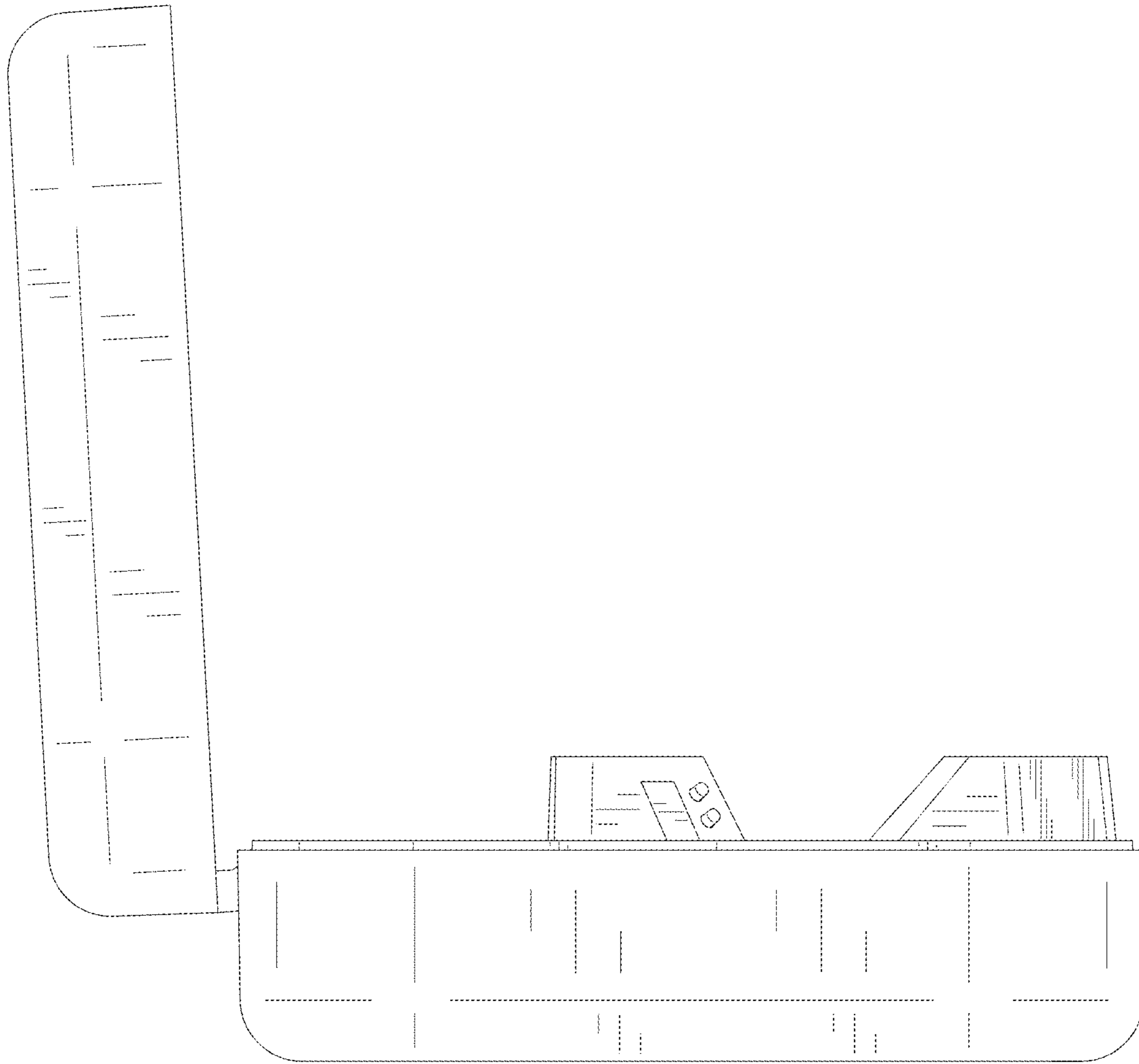


FIG. 6

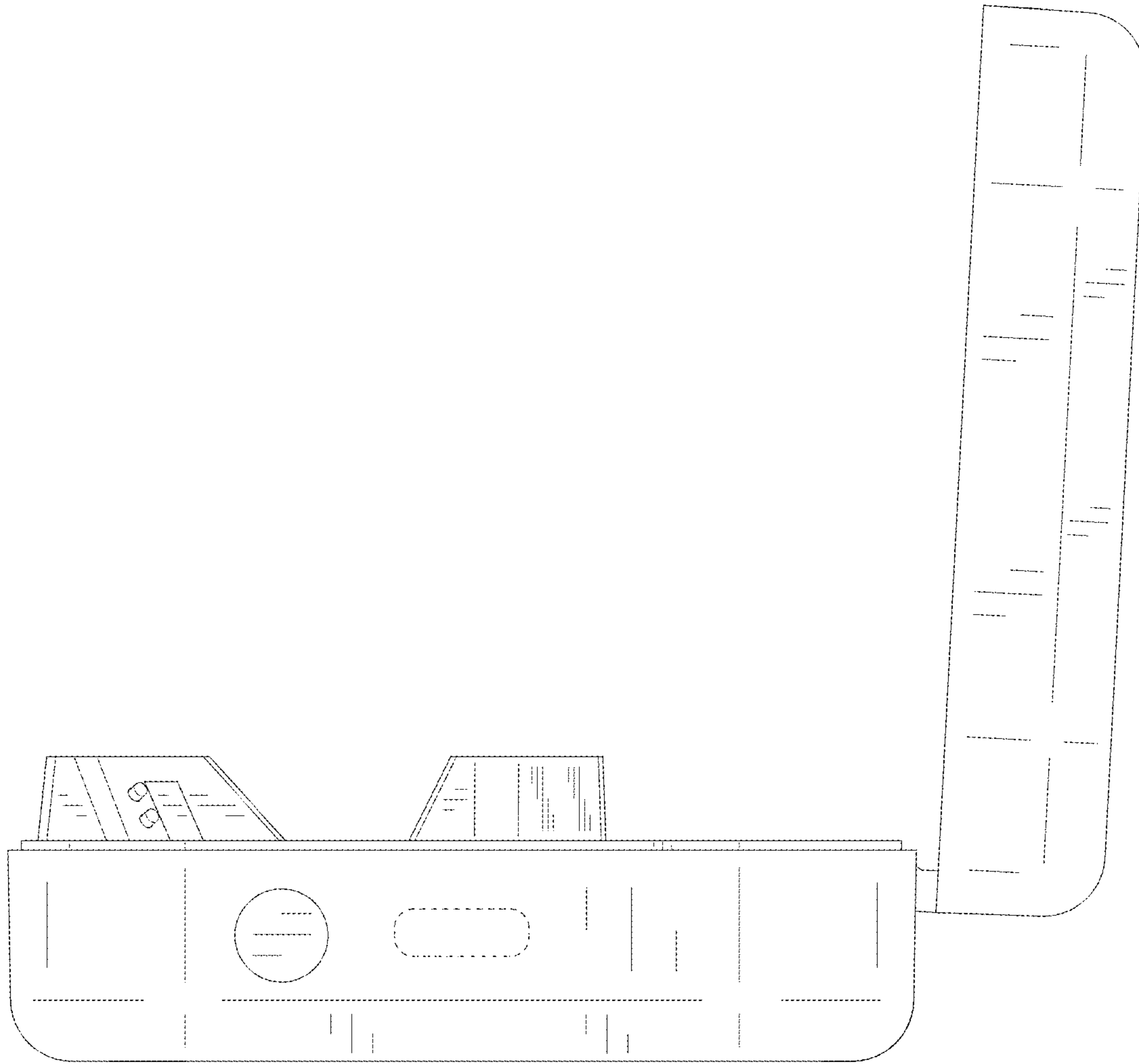


FIG. 7

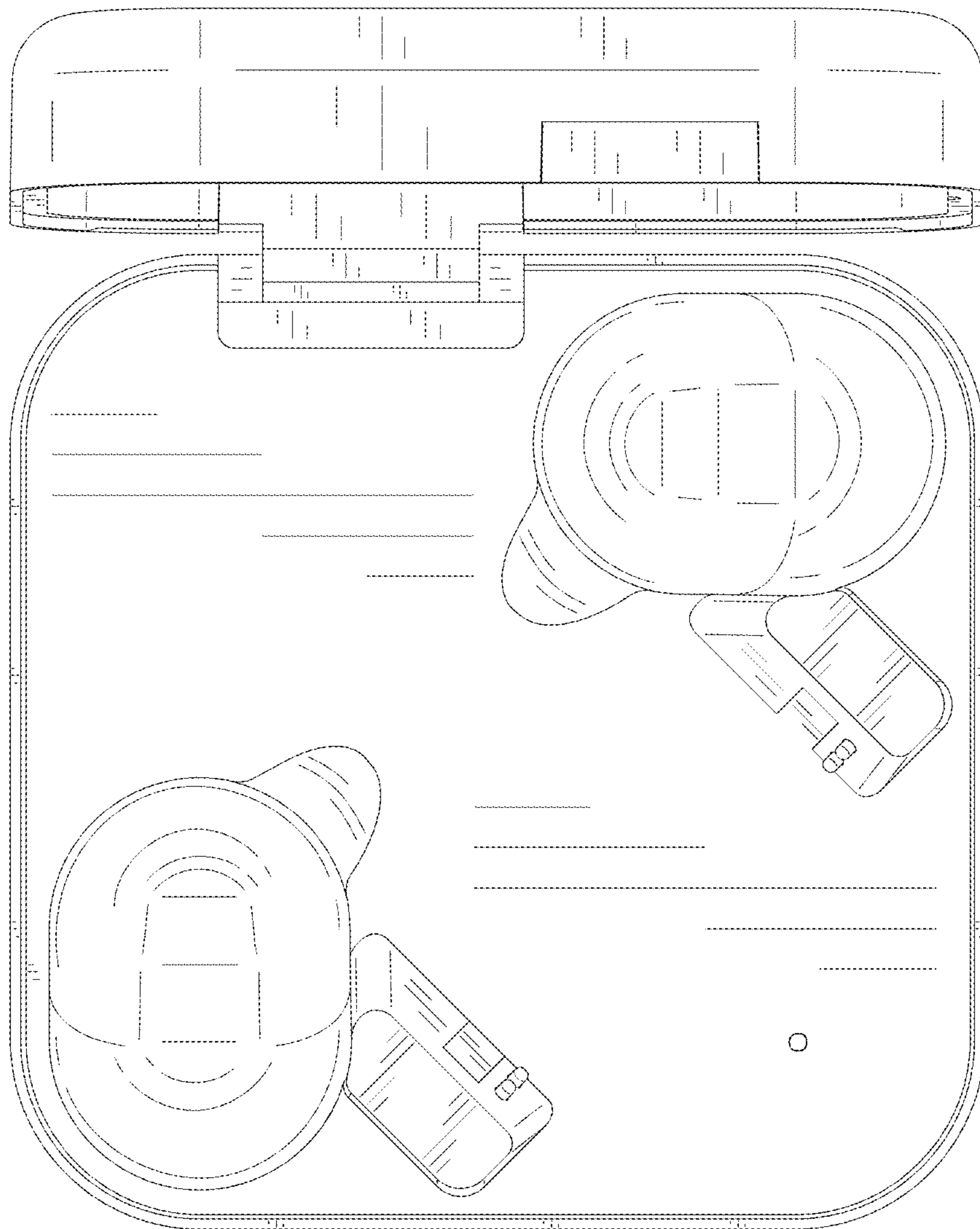


FIG. 8

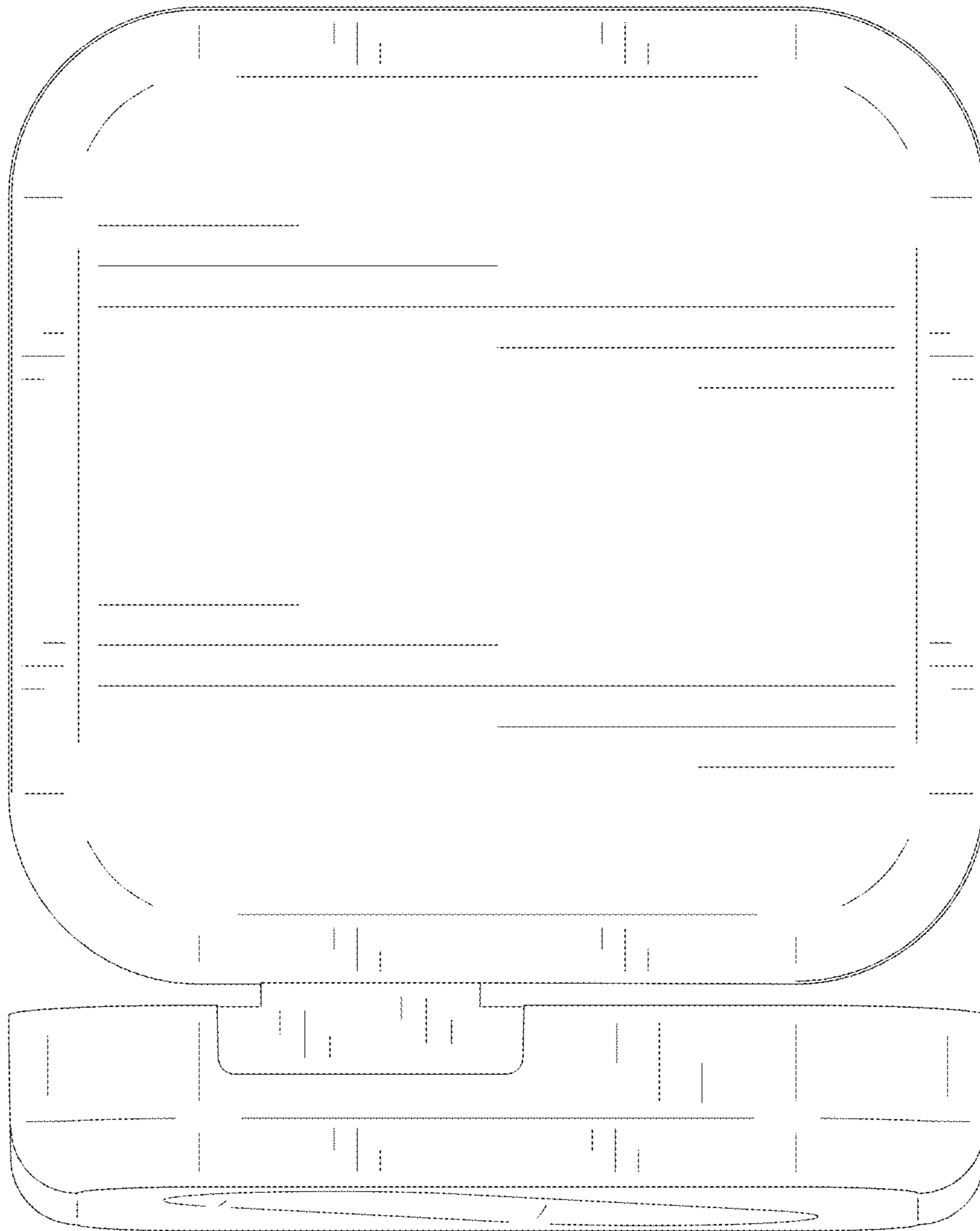


FIG. 9

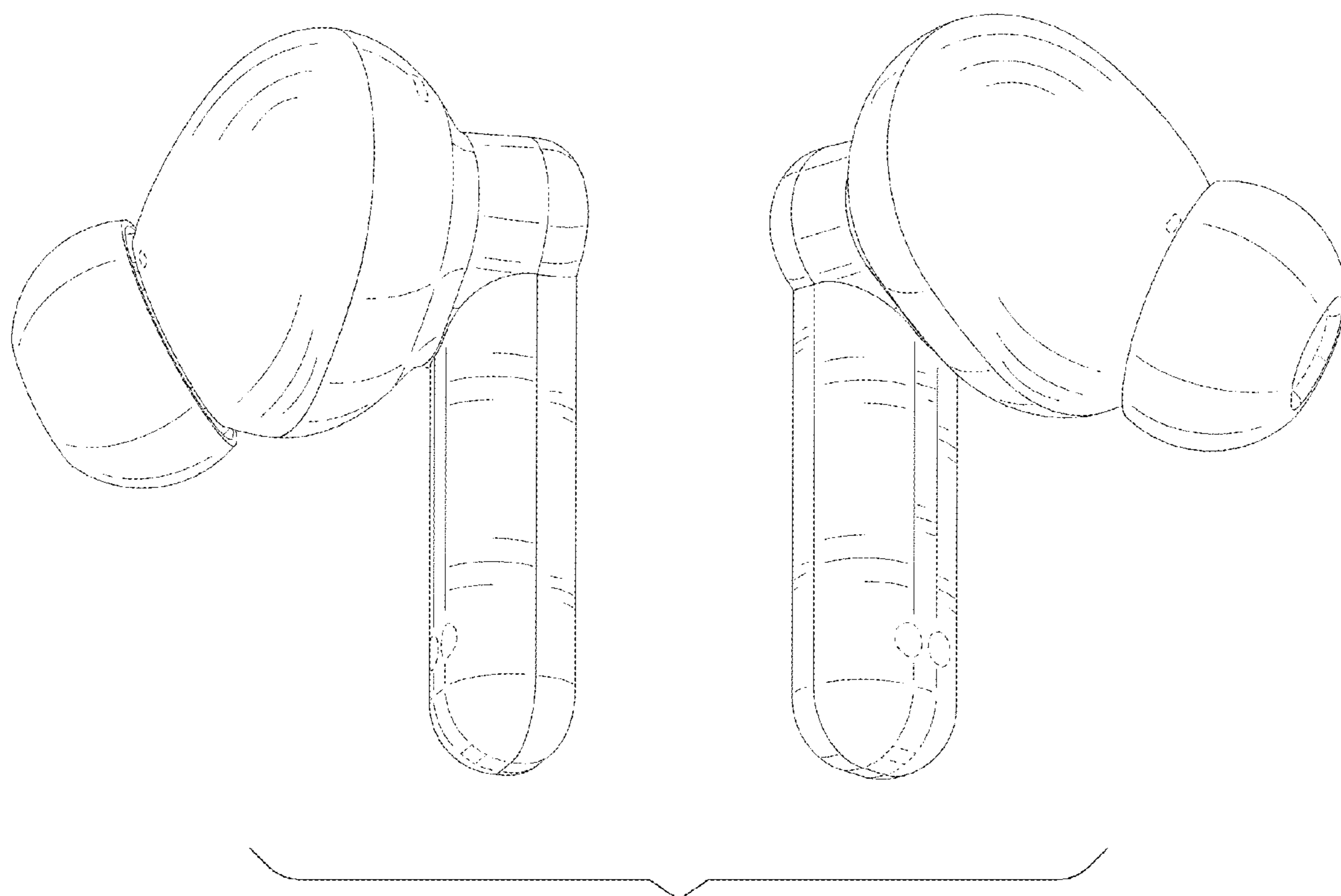


FIG. 10

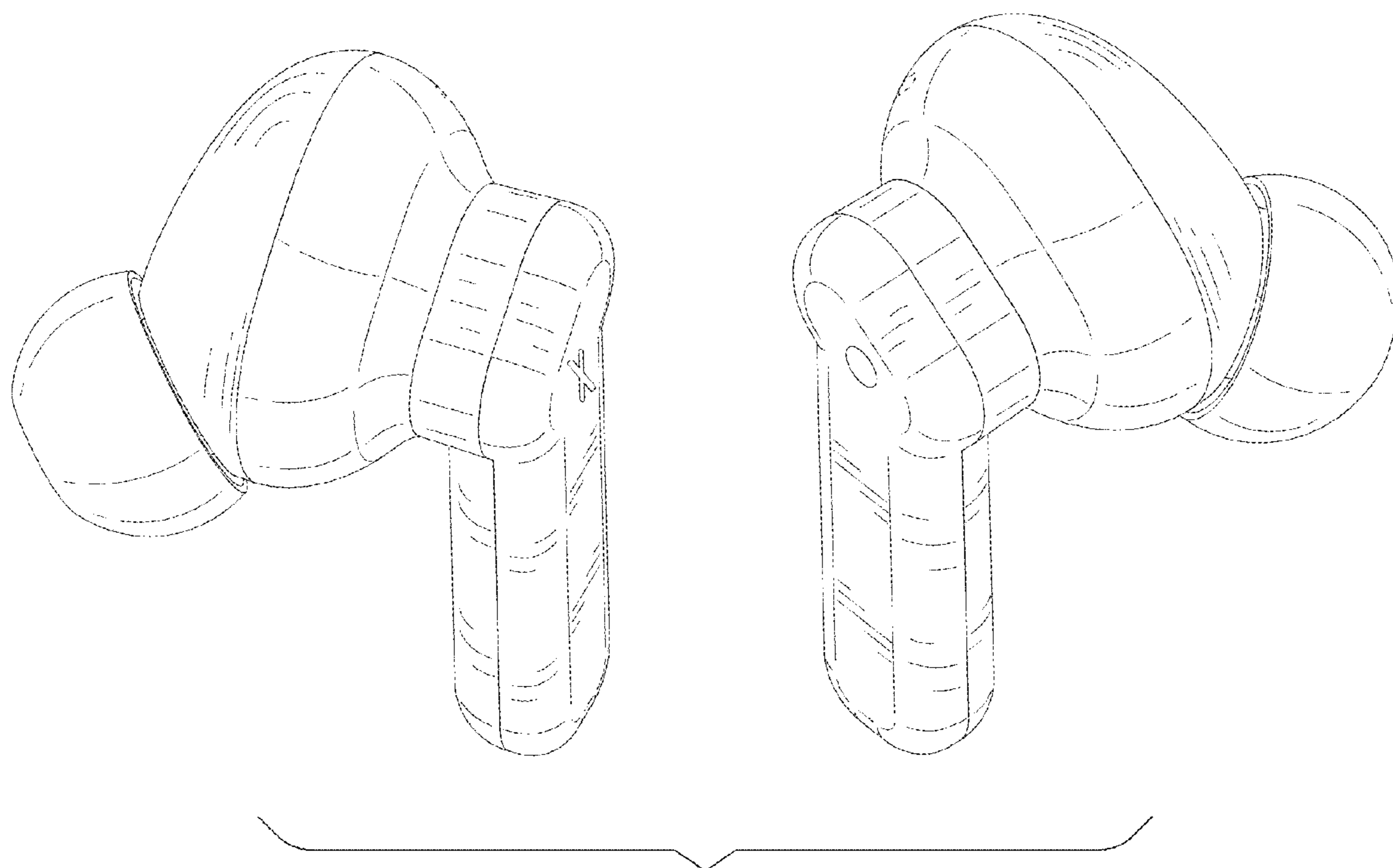


FIG. 11

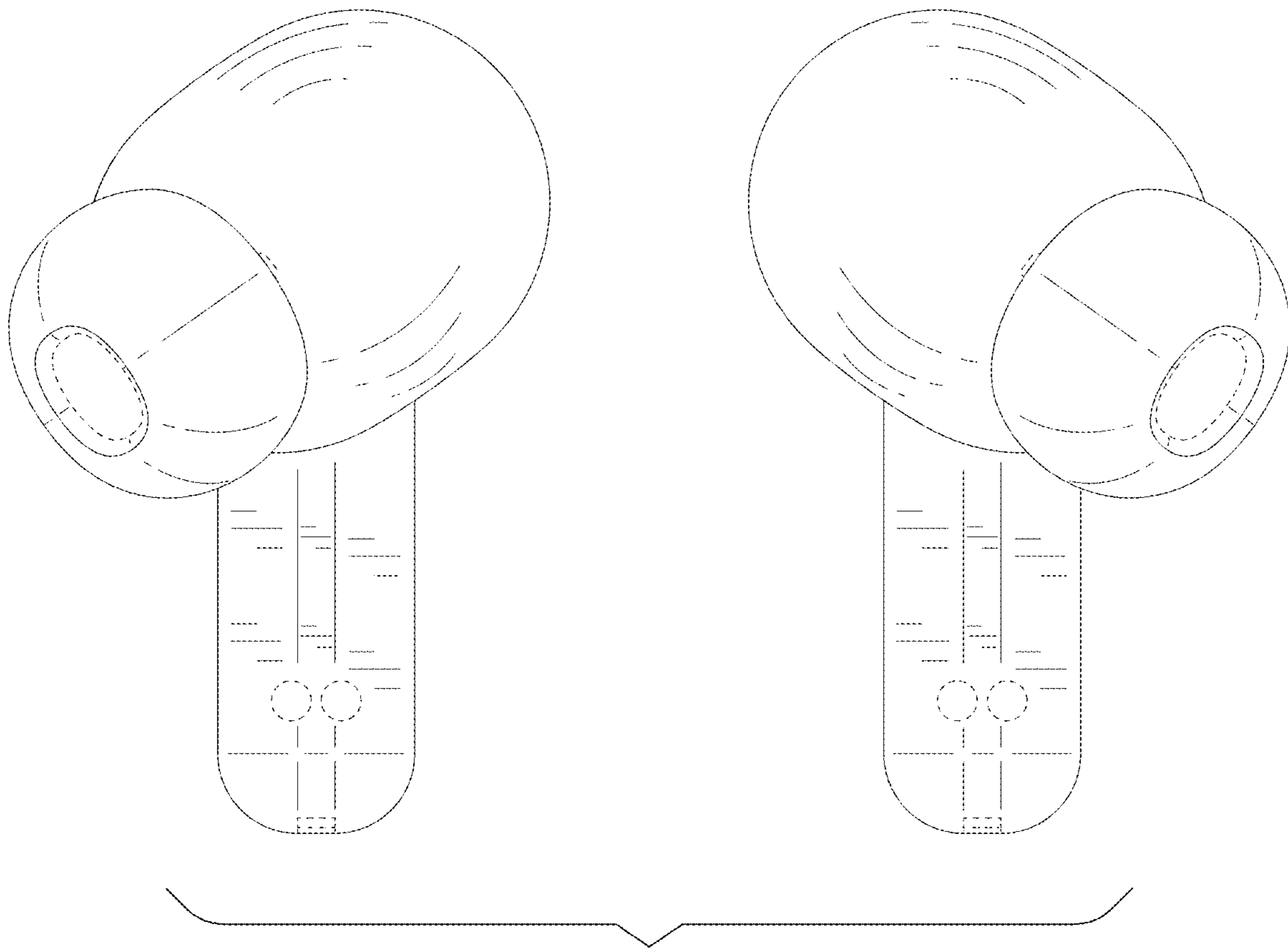


FIG. 12

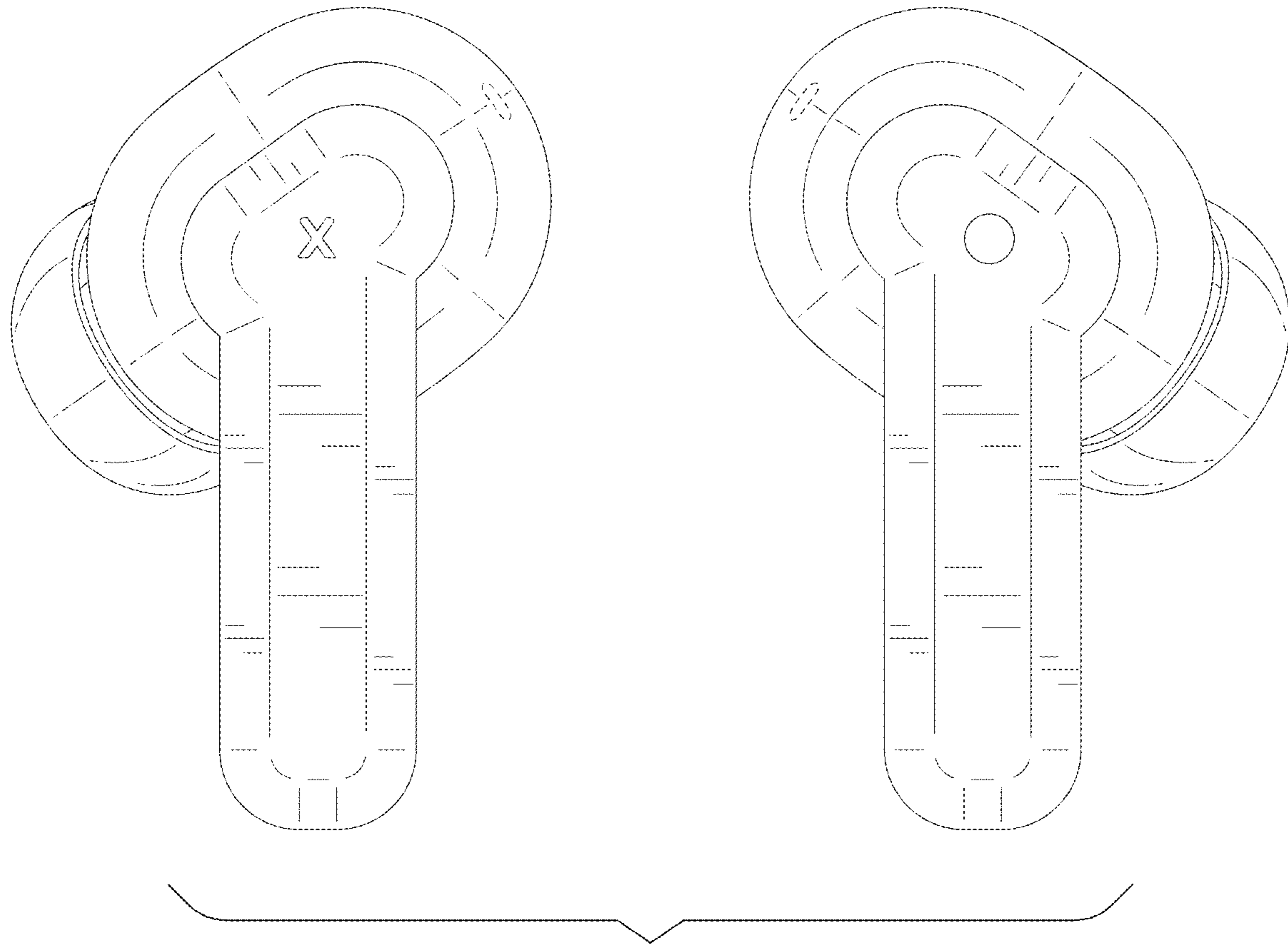


FIG. 13

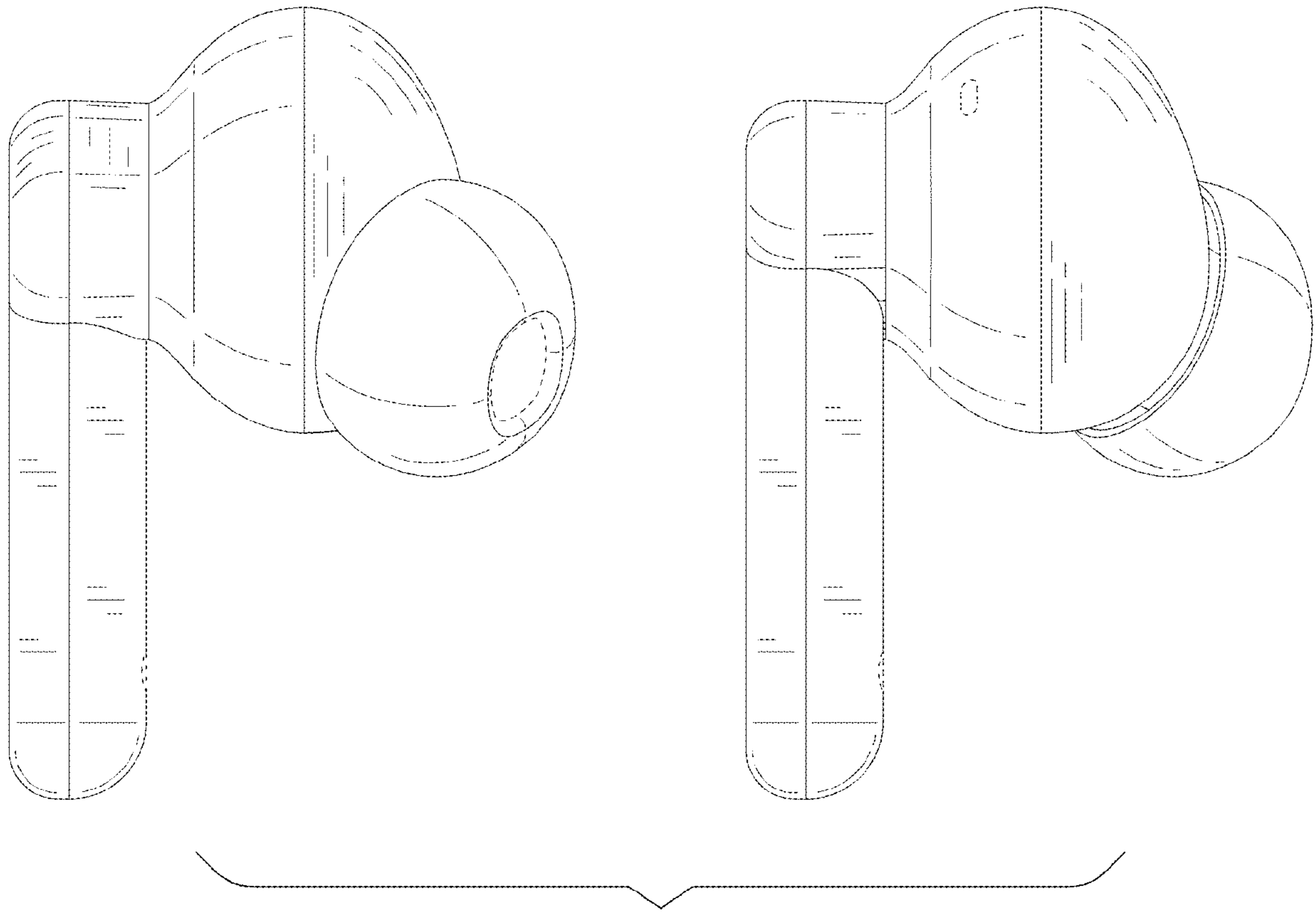


FIG. 14

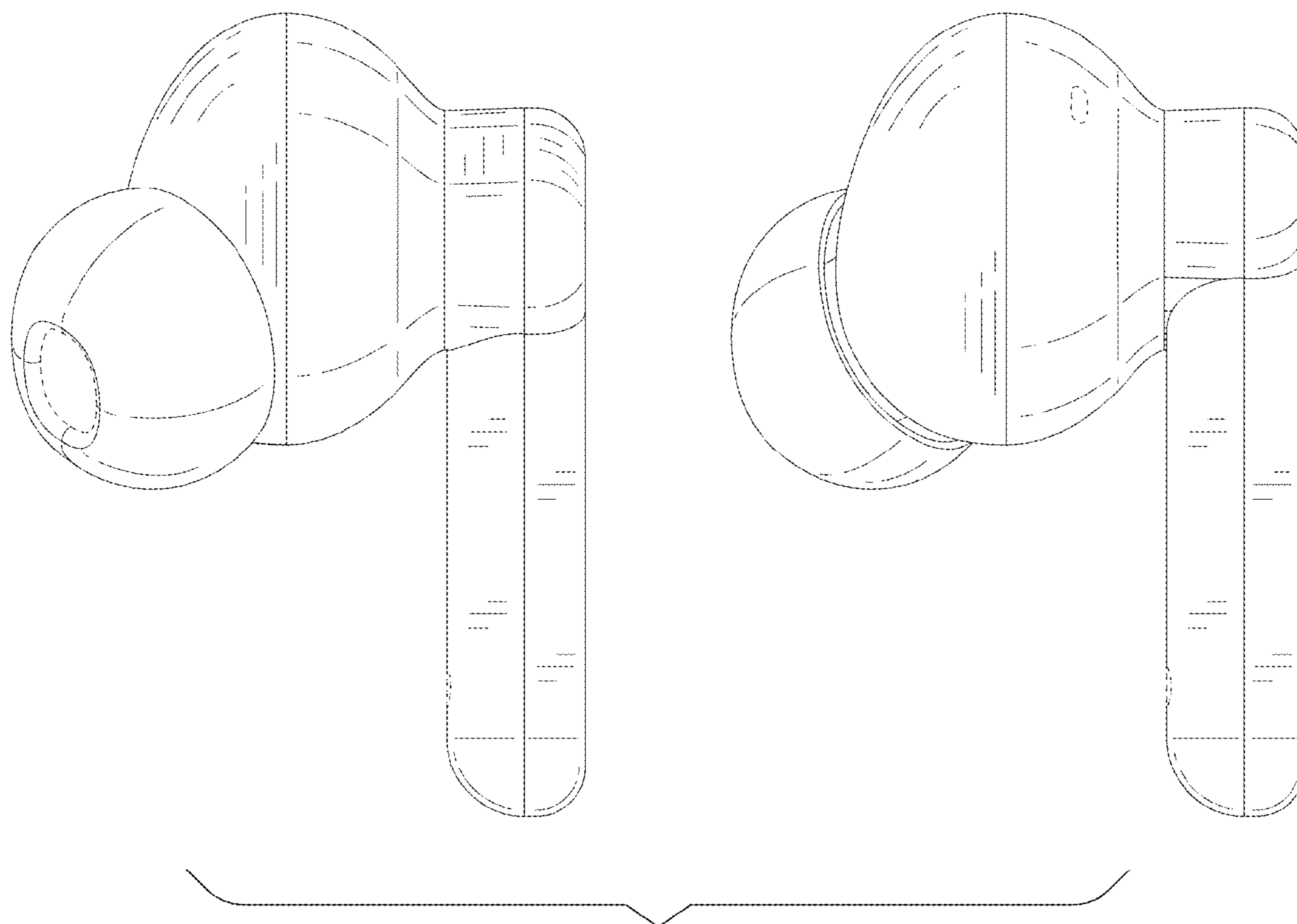


FIG. 15

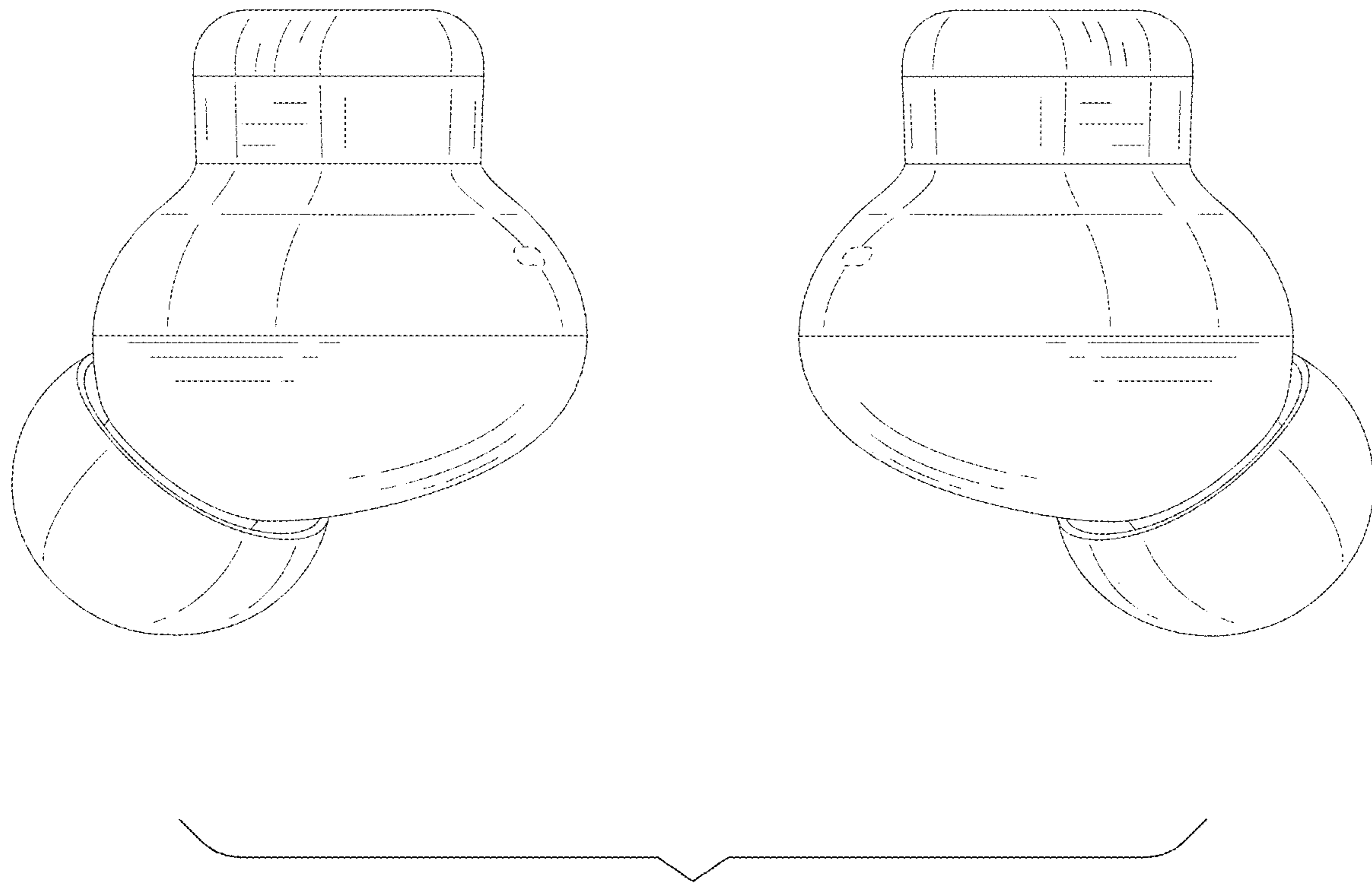


FIG. 16

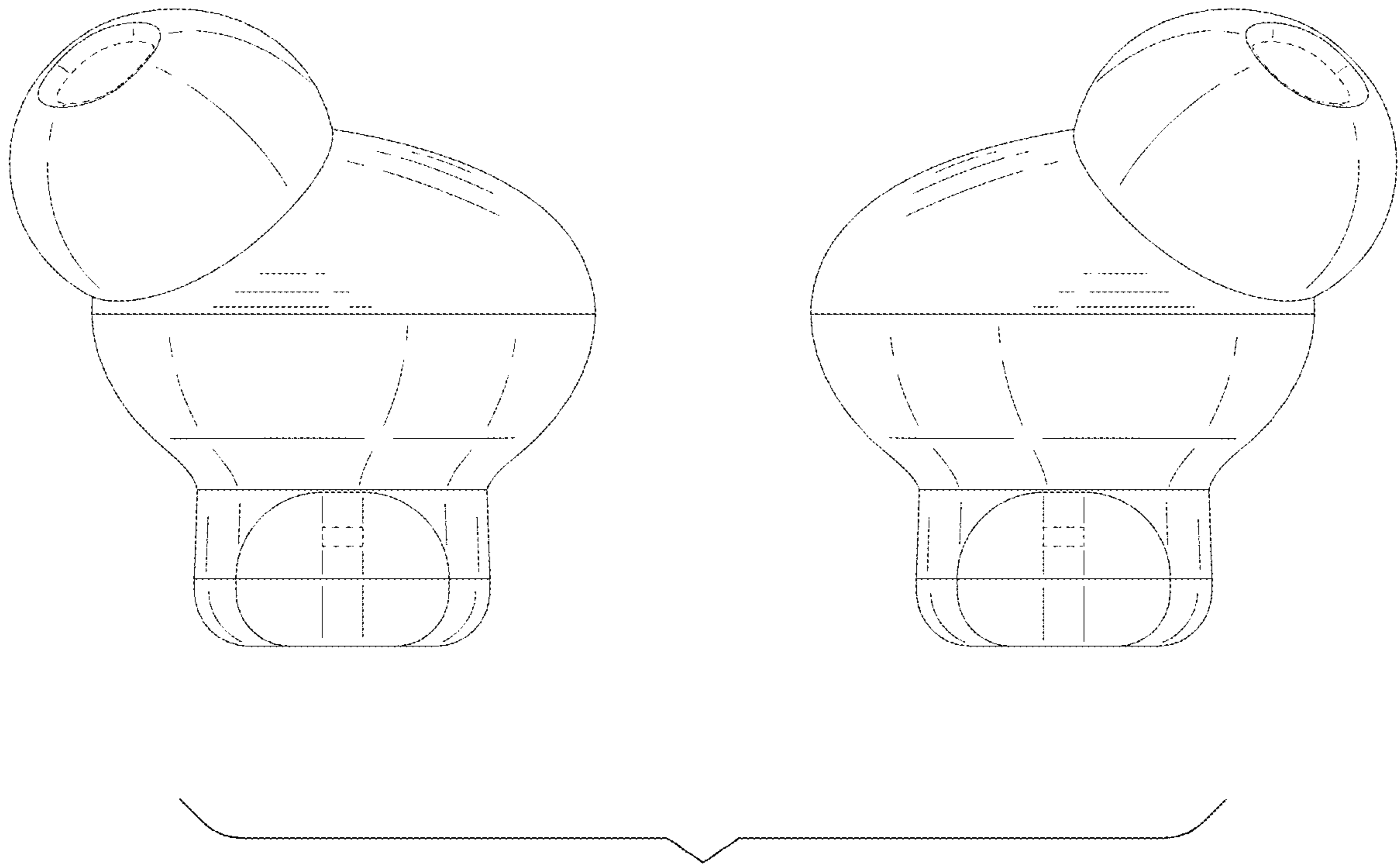


FIG. 17

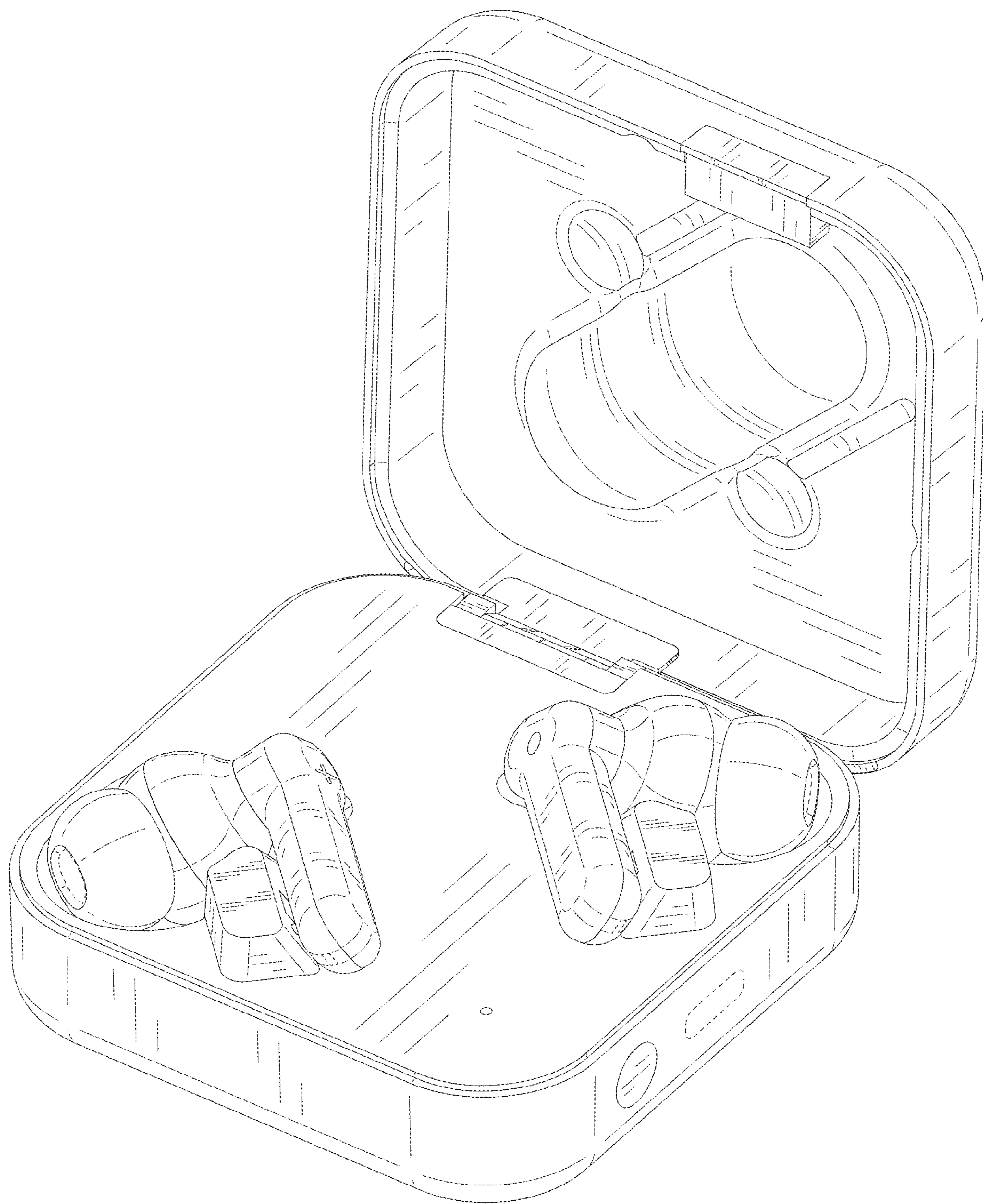


FIG. 18

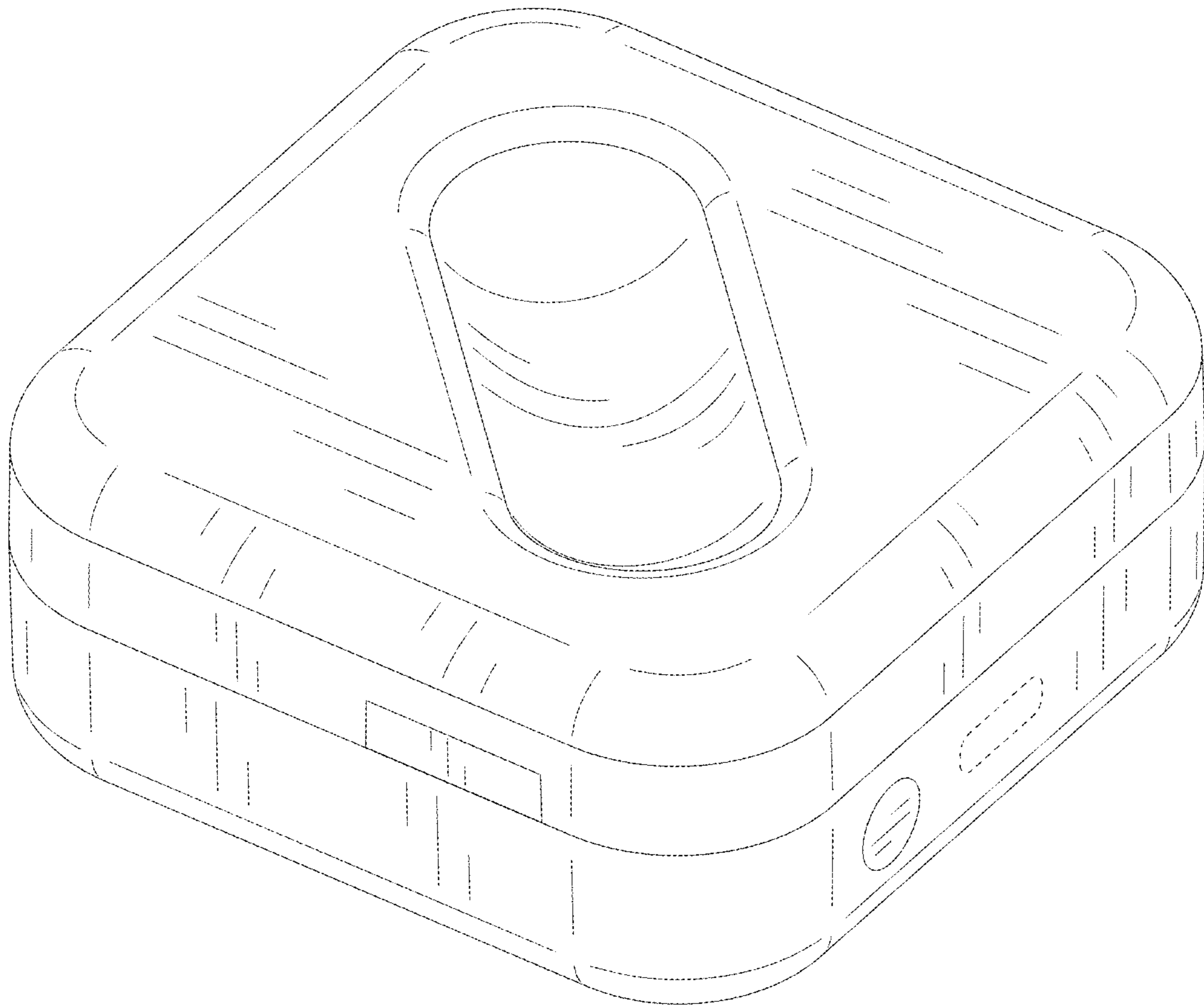


FIG. 19