



US00D971181S

(12) **United States Design Patent** (10) **Patent No.:** **US D971,181 S**
Huang (45) **Date of Patent:** **** Nov. 29, 2022**

(54) **REMOTE CONTROL FOR TELEVISION**

(71) Applicant: **Xibin Huang**, Guangxi (CN)

(72) Inventor: **Xibin Huang**, Guangxi (CN)

(**) Term: **15 Years**

(21) Appl. No.: **29/846,695**

(22) Filed: **Jul. 19, 2022**

(51) **LOC (13) Cl.** **14-03**

(52) **U.S. Cl.**
USPC **D14/218**

(58) **Field of Classification Search**
USPC D14/218, 217; D13/168
CPC H04N 21/4222
See application file for complete search history.

(56) **References Cited**

U.S. PATENT DOCUMENTS

D664,945 S *	8/2012	Morris	D14/218
D689,468 S *	9/2013	Lim	D14/218
D712,380 S *	9/2014	Hwang	D14/218
D723,009 S	2/2015	Chang		
D740,793 S *	10/2015	Jobetto	D14/225
D809,485 S *	2/2018	McManigal	D14/218
D856,307 S *	8/2019	Maeda	D14/218
D856,308 S *	8/2019	Pang	D14/218
D857,665 S *	8/2019	Young	D14/218
D898,706 S *	10/2020	Jiang	D14/218
D901,445 S *	11/2020	Huang	D14/218
D924,180 S *	7/2021	Christopher	D13/168

D925,473 S *	7/2021	Dolezel	D13/168
D931,836 S *	9/2021	Pinto Couto	D14/218
D934,838 S *	11/2021	Warrick	D14/218
D937,813 S *	12/2021	Lee	D14/218
D937,814 S *	12/2021	Lee	D14/218
11,271,413 B2 *	3/2022	Nguyen	A61L 2/26
D953,297 S *	5/2022	Kiyotani	D14/218
D953,298 S *	5/2022	Zheng	D14/218
D953,299 S *	5/2022	Morimoto	D14/218
11,375,263 B2 *	6/2022	Shohara	H04N 21/42204
D958,760 S *	7/2022	Baek	D13/168
D962,897 S *	9/2022	Wei	D14/218

* cited by examiner

Primary Examiner — Cynthia R Underwood

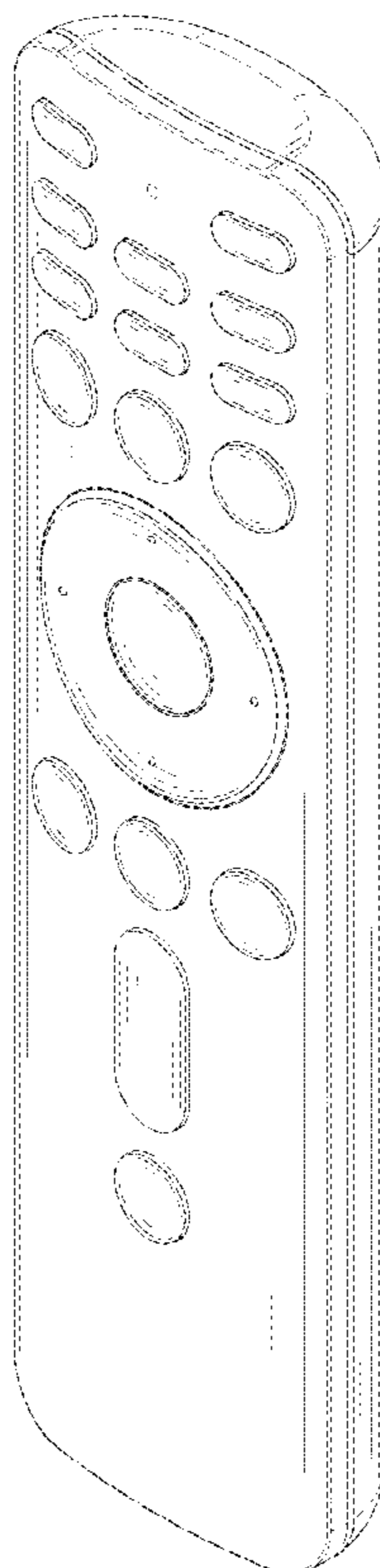
(57) **CLAIM**

The ornamental design for a remote control for television, as shown and described.

DESCRIPTION

FIG. 1 is a front and top perspective view of a remote control, for television, showing my new design;
FIG. 2 is a rear and bottom perspective view thereof;
FIG. 3 is a front elevation view thereof;
FIG. 4 is a rear elevation view thereof;
FIG. 5 is a left side elevation view thereof;
FIG. 6 is a right side elevation view thereof;
FIG. 7 is a top plan view thereof; and,
FIG. 8 is a bottom plan view thereof.

1 Claim, 8 Drawing Sheets



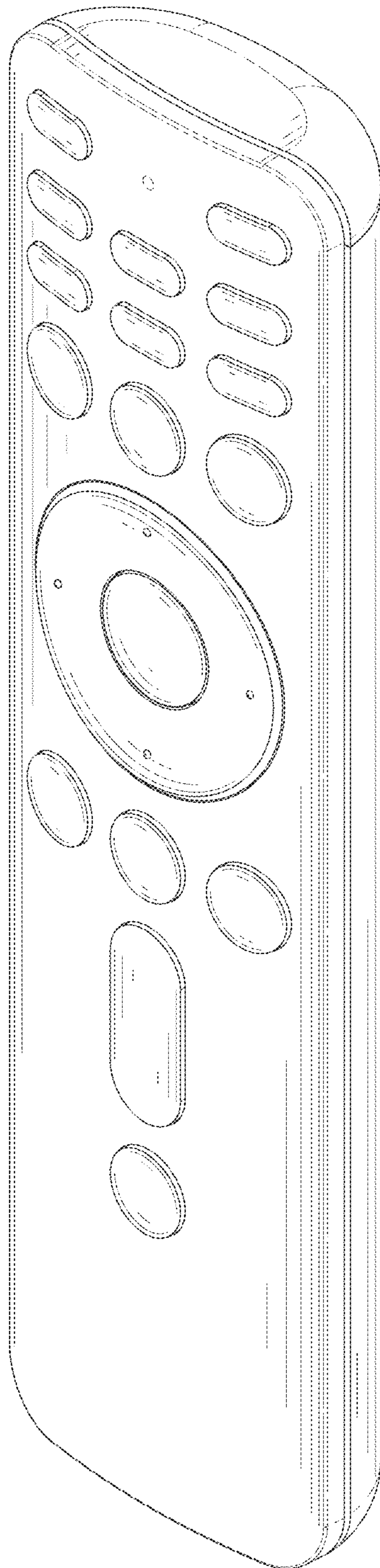


FIG. 1

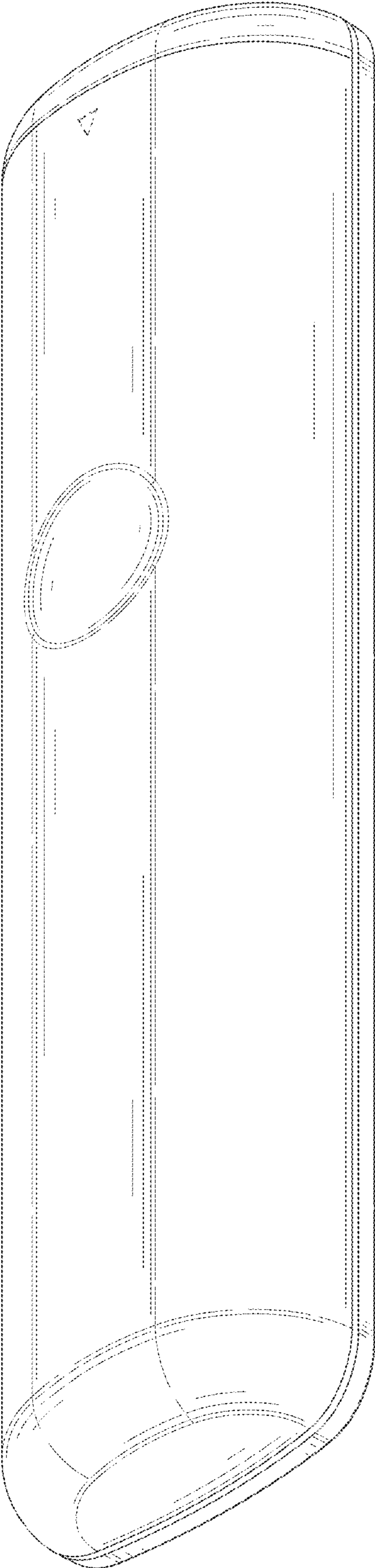


FIG. 2

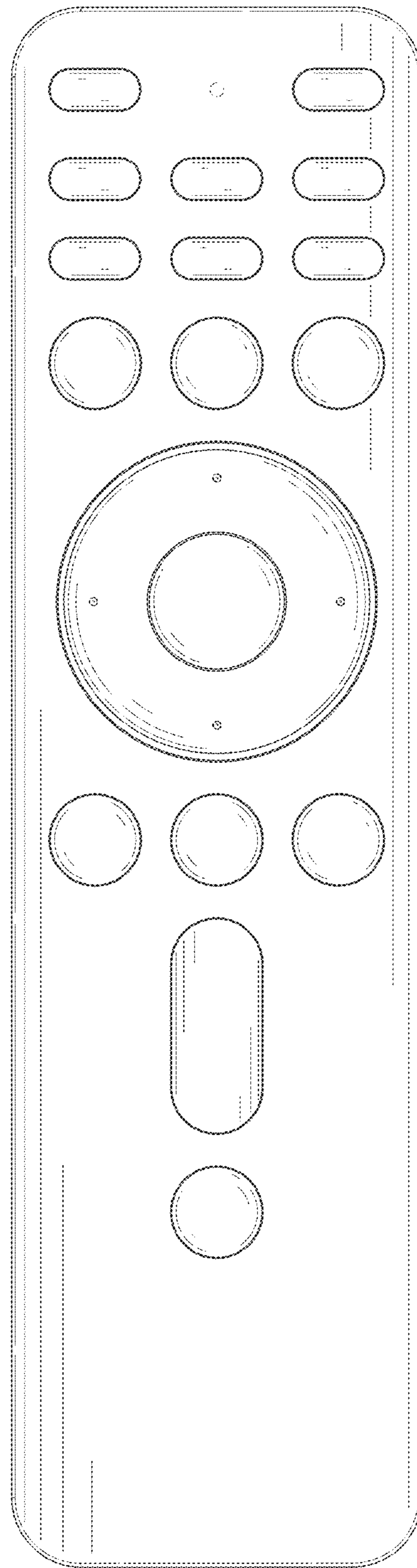


FIG. 3

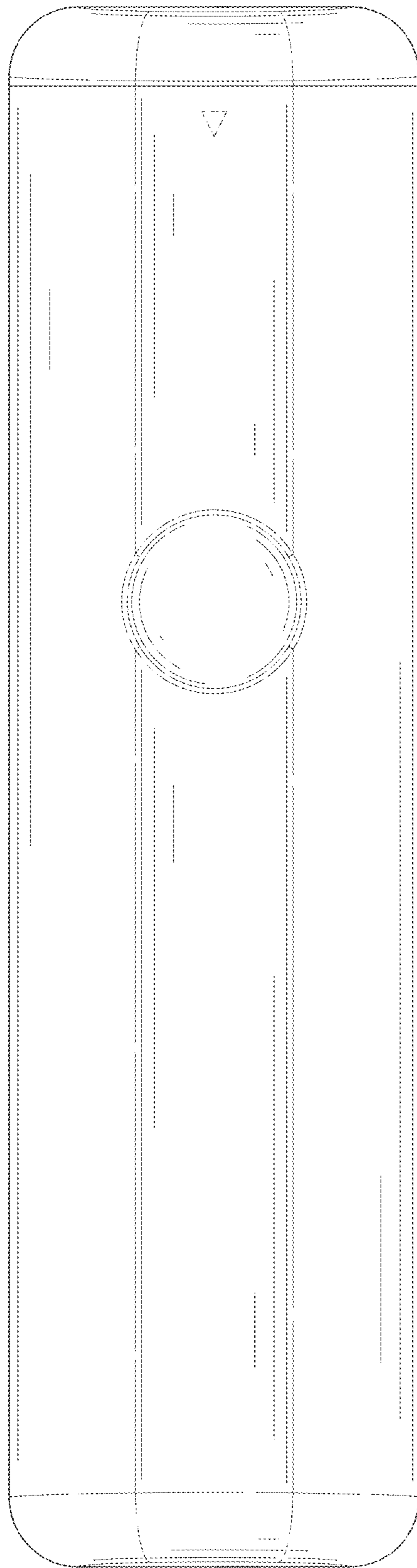


FIG. 4

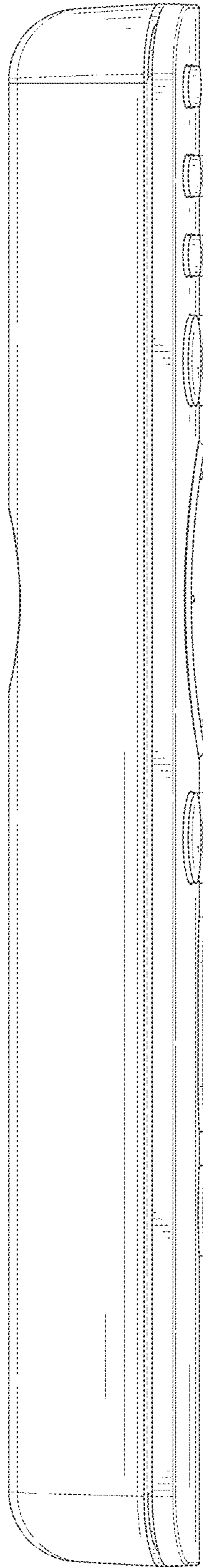


FIG. 5

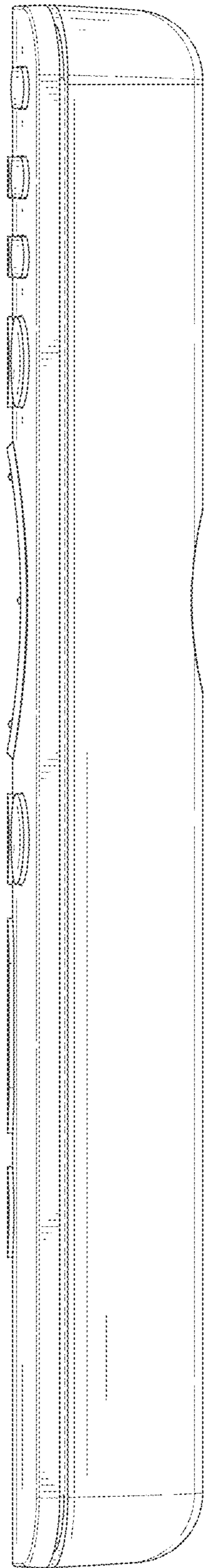


FIG. 6

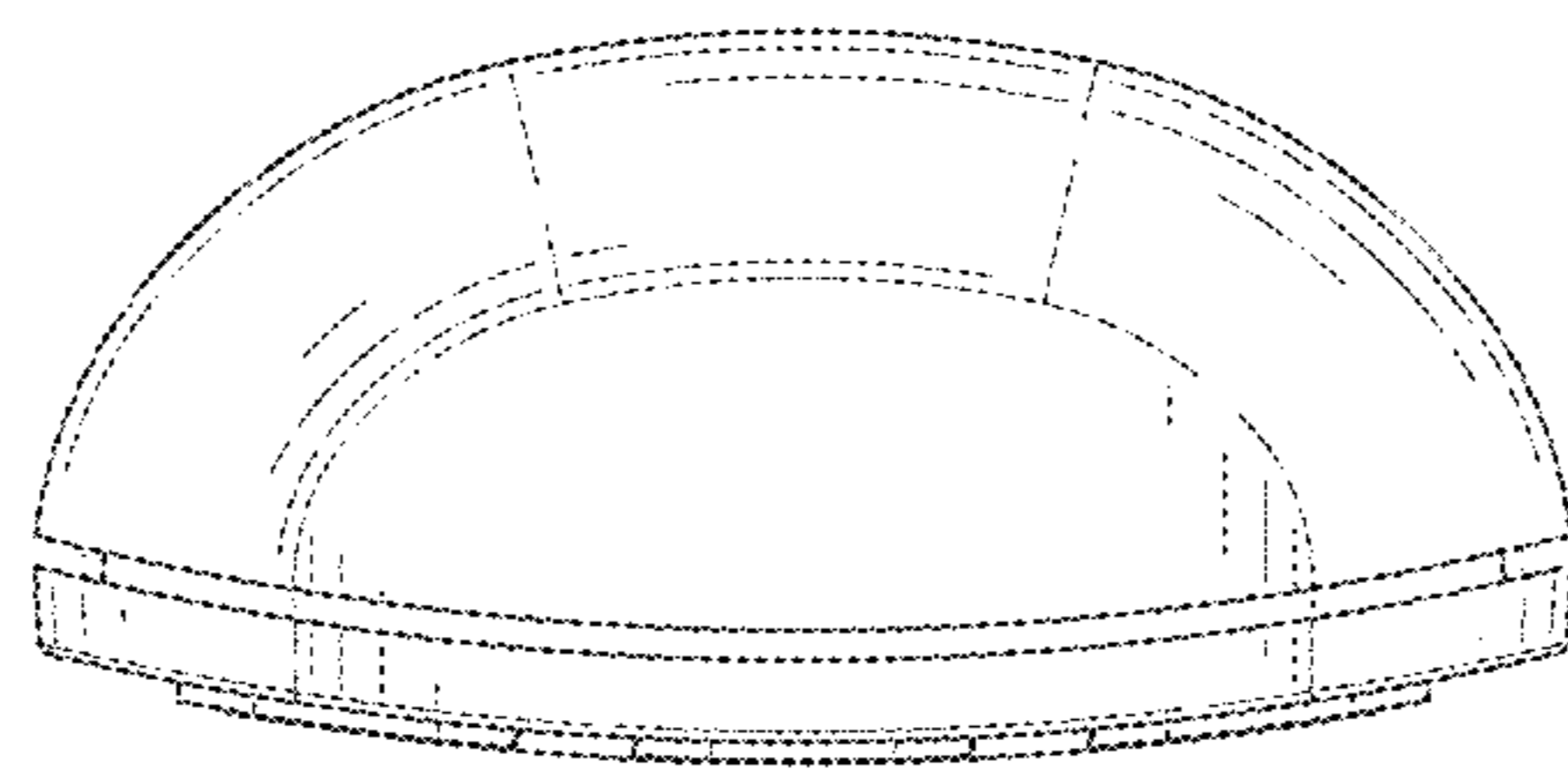


FIG. 7

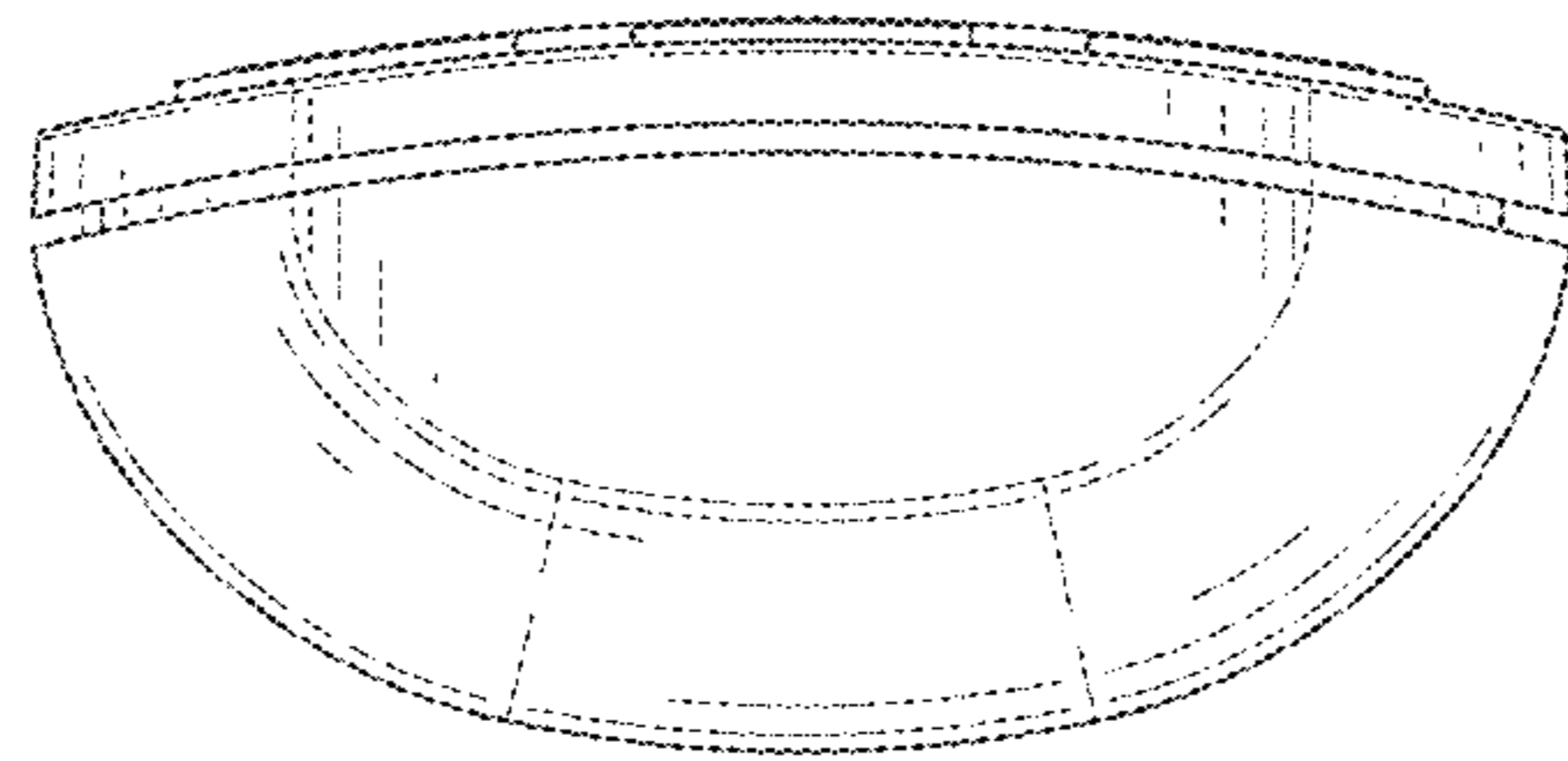


FIG. 8