



US00D971178S

(12) **United States Design Patent** (10) **Patent No.:** **US D971,178 S**  
**Turksu et al.** (45) **Date of Patent:** **\*\* Nov. 29, 2022**

(54) **REMOTE CONTROL WITH LASER POINTER**  
(71) Applicant: **SARIANA, LLC**, San Diego, CA (US)  
(72) Inventors: **Alan Turksu**, San Diego, CA (US);  
**Mustafa Burak Guclu**, San Diego, CA (US)  
(73) Assignee: **SARIANA LLC**, San Diego, CA (US)

D533,866 S 12/2006 Morisawa  
D535,261 S 1/2007 Daniels  
D539,217 S 3/2007 Hamaguchi  
D543,143 S 5/2007 Hamaguchi  
D549,666 S 8/2007 Tan et al.  
D552,043 S 10/2007 Thursfield  
D559,202 S 1/2008 Sim et al.

(Continued)

**FOREIGN PATENT DOCUMENTS**

CN 305326975 \* 8/2019

**OTHER PUBLICATIONS**

<https://www.youtube.com/watch?v=5RKN7VaRO8I>—Published Jan. 4, 2016.

(Continued)

*Primary Examiner* — Leanne Was-Englehart  
(74) *Attorney, Agent, or Firm* — Wagenknecht IP Law Group PC

(\*\*) Term: **15 Years**  
(21) Appl. No.: **29/743,424**  
(22) Filed: **Jul. 21, 2020**  
(51) **LOC (13) Cl.** ..... **14-03**  
(52) **U.S. Cl.**  
USPC ..... **D14/218**  
(58) **Field of Classification Search**  
USPC ..... D14/218; D13/168  
CPC .. A47C 31/008; A61G 13/02; G07C 9/00944;  
G08C 17/00; G08C 17/02; H04B 1/202;  
H01H 9/02; H01H 9/0214; H01H 9/0235;  
H01H 9/0242; H04N 5/23203; H03G  
3/001; H03G 1/02  
See application file for complete search history.

(57) **CLAIM**

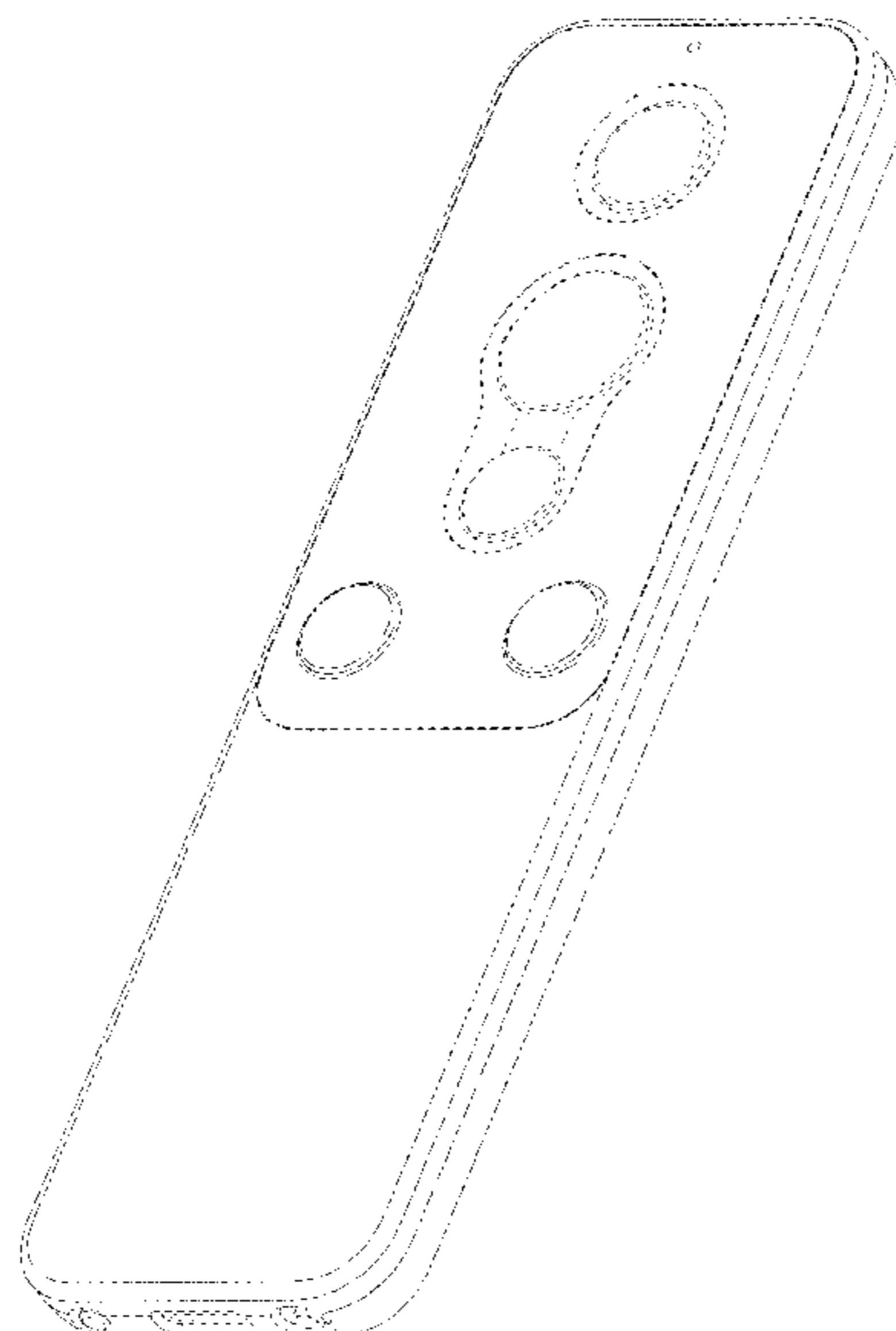
What is claimed is the ornamental design for a remote control with laser pointer, as shown and described.

**DESCRIPTION**

FIG. 1 is a top, rear and right side perspective view of a remote control with laser pointer showing our new design; FIG. 2 is a top, front and left side perspective view thereof; FIG. 3 is a top plan view thereof; FIG. 4 is a bottom plan view thereof; FIG. 5 is a right side elevational view thereof; FIG. 6 is a left side elevational view thereof; FIG. 7 is a front elevational view thereof; and, FIG. 8 is a rear elevational view thereof. The broken lines depict portions of the remote control with laser pointer that form no part of the claimed design.

**1 Claim, 6 Drawing Sheets**

(56) **References Cited**  
U.S. PATENT DOCUMENTS  
D322,609 S 12/1991 Patton  
D424,567 S 5/2000 Hakoda  
D427,583 S 7/2000 Kazama  
D450,682 S 11/2001 Tagaki  
D466,492 S 12/2002 Matsuoka  
D499,702 S 12/2004 Abe  
D514,526 S 2/2006 Chen et al.  
D517,532 S 3/2006 Chen  
D519,918 S 5/2006 Wilson et al.  
D528,510 S 9/2006 Schmieta et al.  
D529,872 S 10/2006 Weitgasser et al.  
D532,777 S 11/2006 Yu et al.



(56)

References Cited

U.S. PATENT DOCUMENTS

D561,702 S 2/2008 Ohta  
 D568,827 S \* 5/2008 Ikeda ..... D13/168  
 D572,656 S 7/2008 Schein  
 D581,038 S 11/2008 Boswell  
 D595,669 S 7/2009 Endo et al.  
 D598,374 S 8/2009 Sasada  
 D618,628 S 6/2010 Giugiaro  
 D619,107 S 6/2010 Giugiaro  
 D620,456 S 7/2010 Akana et al.  
 D621,370 S 8/2010 Chouji et al.  
 D625,294 S 10/2010 Wada  
 D634,734 S 3/2011 Cho  
 D645,848 S 9/2011 Arholt et al.  
 D653,240 S 1/2012 Wakata  
 D654,477 S \* 2/2012 Weitgasser ..... D14/218  
 D661,689 S \* 6/2012 Weitgasser ..... D14/218  
 D663,289 S \* 7/2012 Murchison ..... D14/218  
 D665,382 S 8/2012 Kim et al.  
 D673,934 S 1/2013 Shin et al.  
 D685,750 S 7/2013 Nakagawa  
 D689,468 S 9/2013 Lim et al.

D690,662 S 10/2013 Maier  
 D723,478 S 3/2015 Turksu et al.  
 D743,944 S \* 11/2015 Karrman ..... D14/218  
 D752,555 S \* 3/2016 Langhammer ..... D14/218  
 D758,988 S 6/2016 An et al.  
 D759,008 S \* 6/2016 Akana ..... D14/341  
 D771,597 S \* 11/2016 Akana ..... D14/218  
 D777,708 S \* 1/2017 Shimonishi ..... D14/218  
 D805,058 S \* 12/2017 Akana ..... D14/218  
 D805,502 S \* 12/2017 Zhuang ..... D14/218  
 D827,615 S \* 9/2018 Akana ..... D14/218  
 D851,631 S \* 6/2019 Einaudi ..... D14/218  
 D873,245 S \* 1/2020 Russo ..... D14/218  
 D901,448 S \* 11/2020 Akana ..... D14/218  
 D914,643 S \* 3/2021 Liu ..... D14/218  
 2003/0095048 A1 5/2003 Choi et al.  
 2021/0004547 A1\* 1/2021 Hamid ..... A01K 11/008

OTHER PUBLICATIONS

<https://www.amazon.com/Satechi-Presenter-Powerpoint-Presentation-Presentations/dp/B019PJUQIC>—Available as early as Mar. 11, 2016.

\* cited by examiner

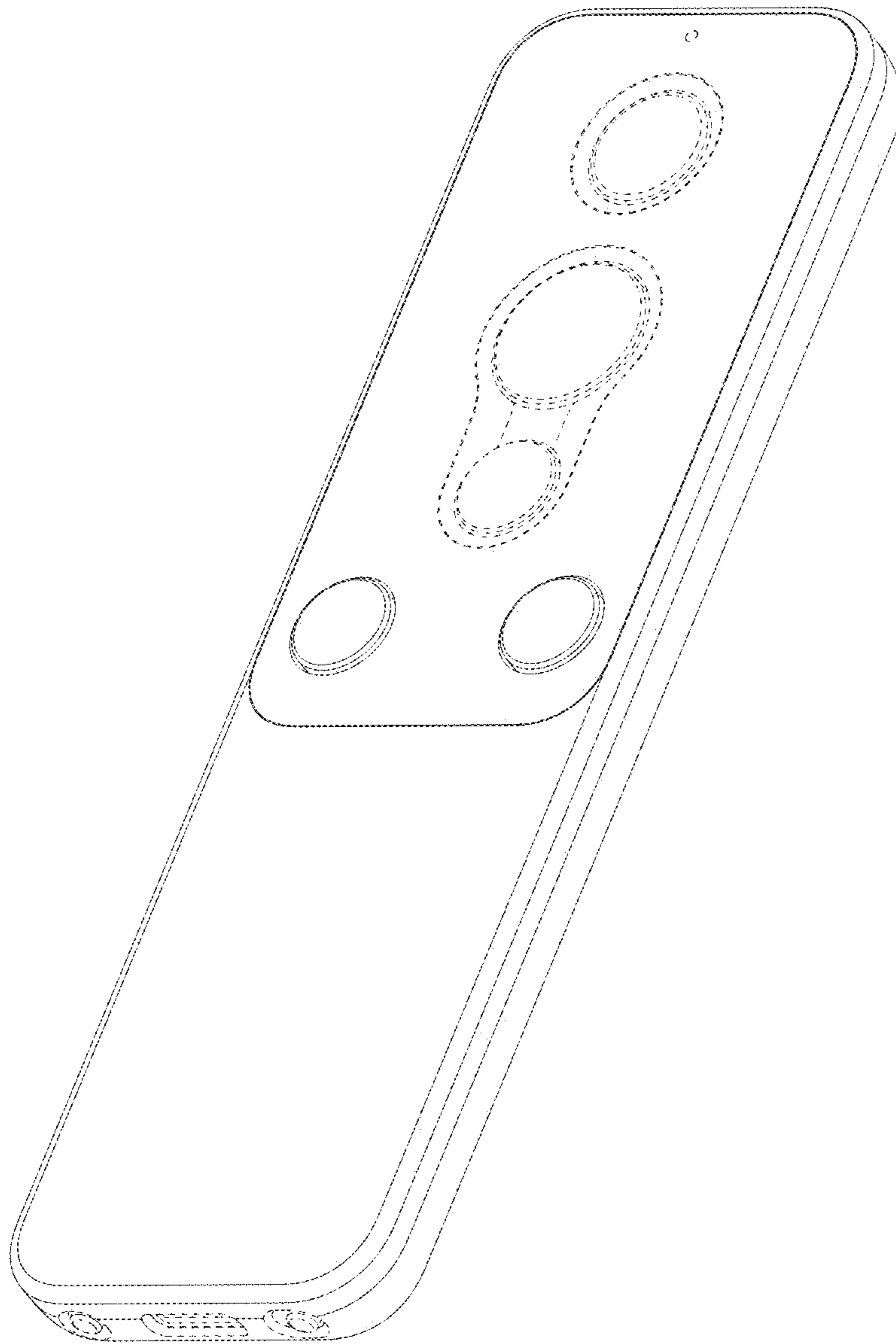


FIG. 1

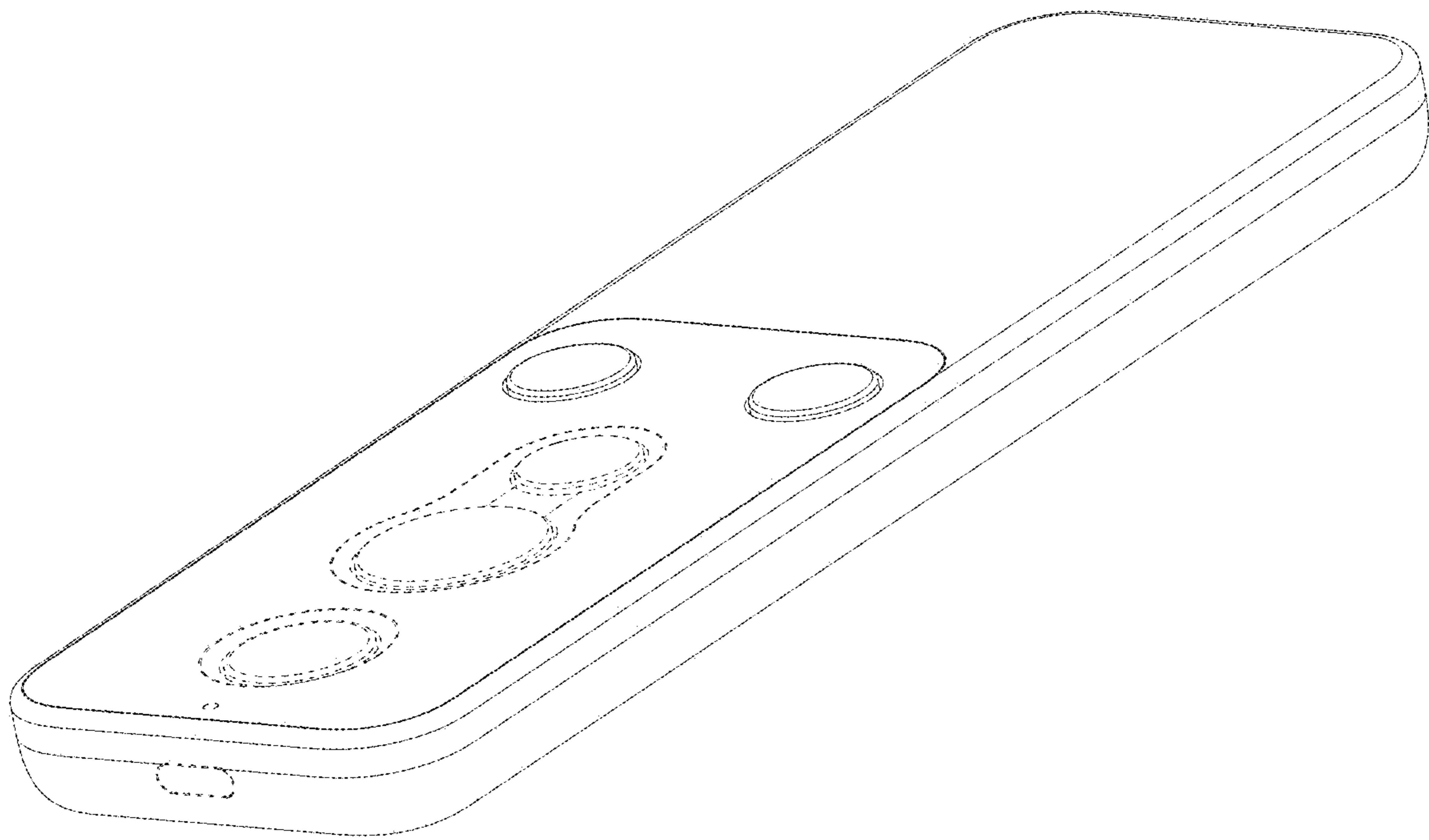


FIG. 2

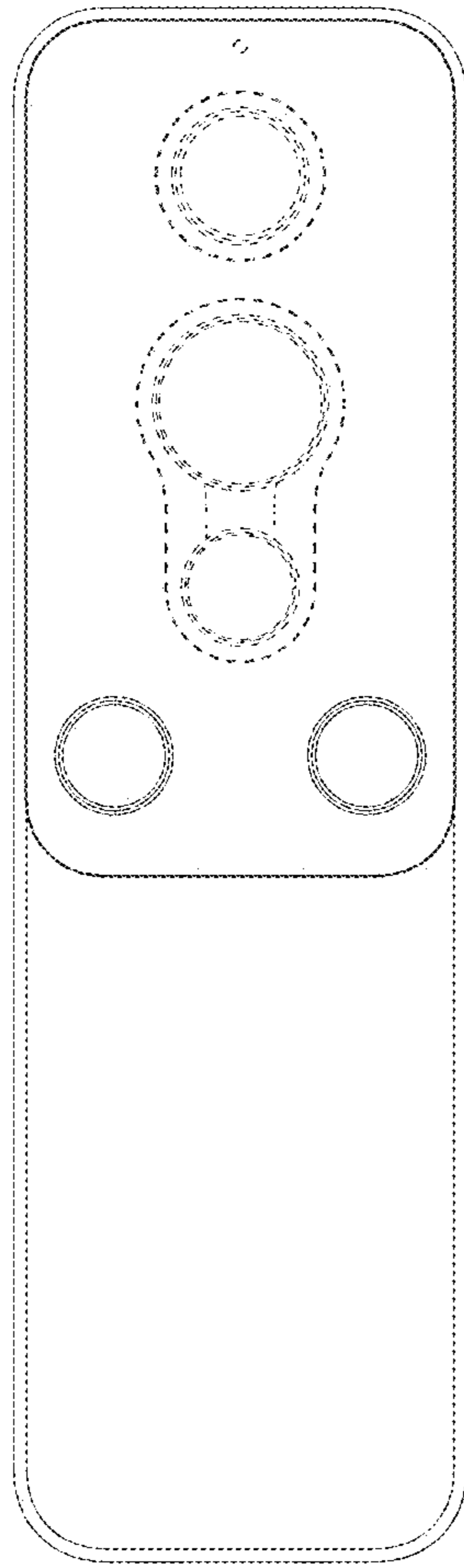


FIG. 3

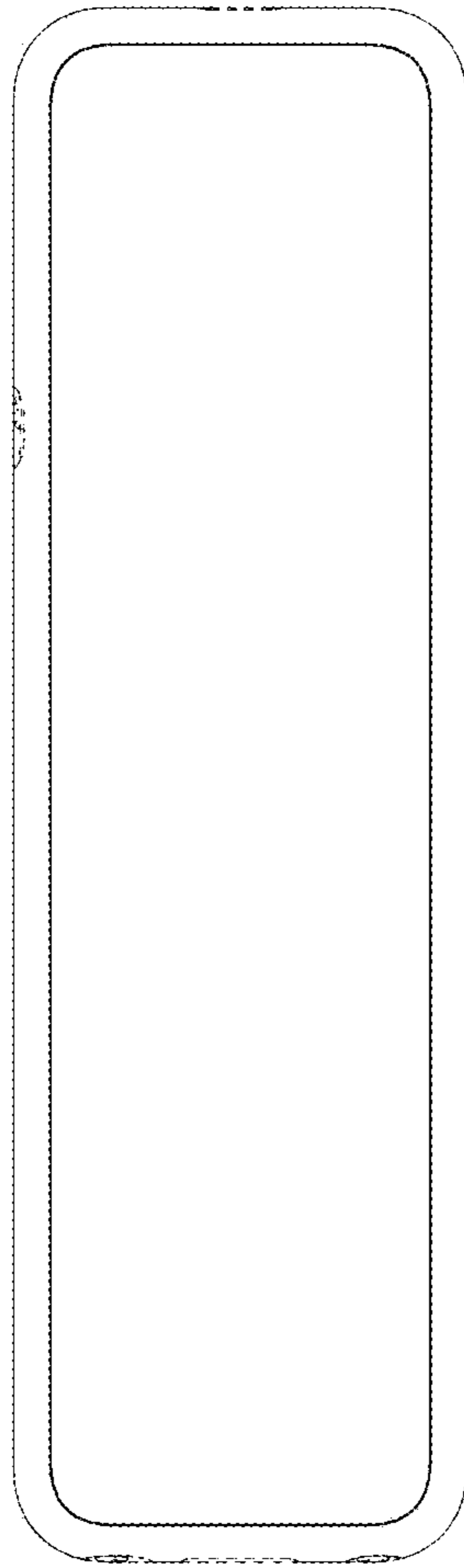


FIG. 4

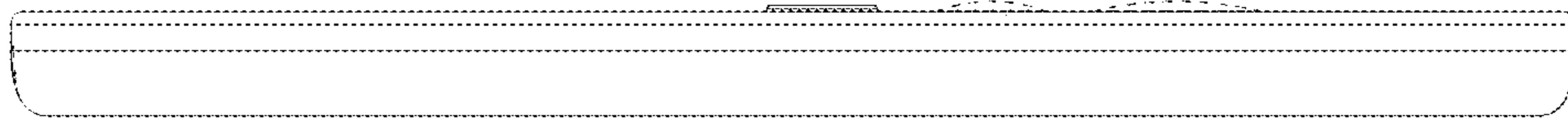


FIG. 5

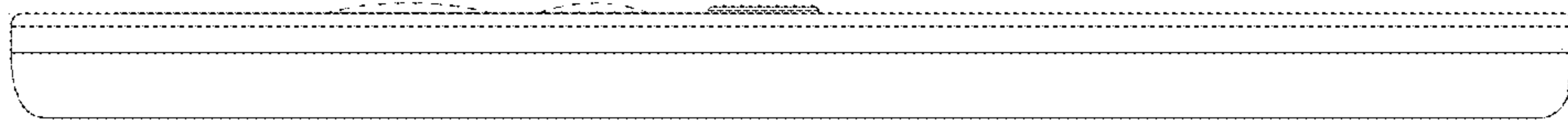


FIG. 6

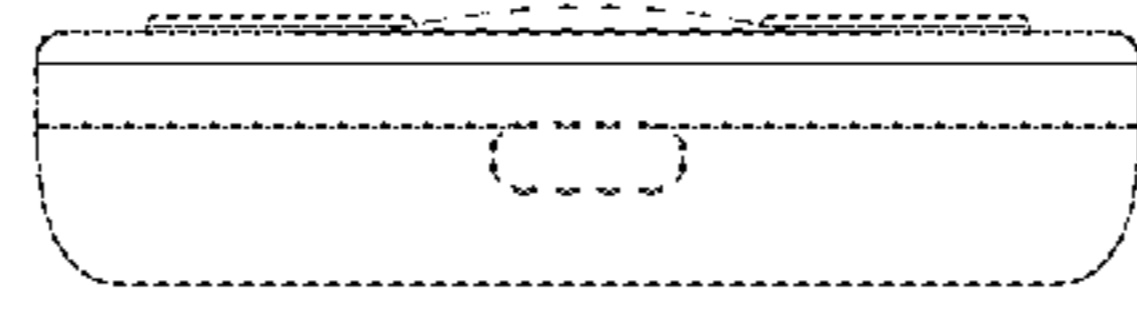


FIG. 7

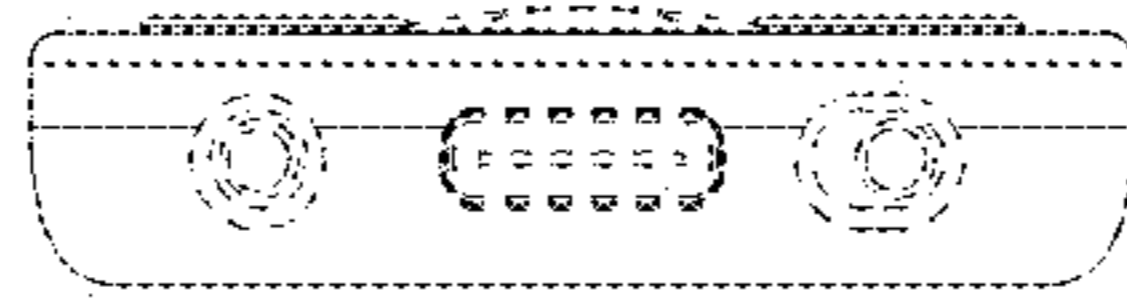


FIG. 8