



US00D971173S

(12) **United States Design Patent** (10) **Patent No.:** **US D971,173 S**
Im et al. (45) **Date of Patent:** **** Nov. 29, 2022**

(54) **ELECTRONIC DEVICE**

Primary Examiner — Bridget L Eland

(71) Applicant: **Samsung Electronics Co., Ltd.**,
Suwon-si (KR)

(74) *Attorney, Agent, or Firm* — NSIP Law

(72) Inventors: **Seung Bin Im**, Suwon-si (KR);
Kee-Moon Lee, Suwon-si (KR)

(57) **CLAIM**

(73) Assignee: **Samsung Electronics Co., Ltd.**,
Suwon-si (KR)

We claim the ornamental design for an electronic device, as shown and described.

(**) Term: **15 Years**

DESCRIPTION

(21) Appl. No.: **29/772,301**

(22) Filed: **Mar. 1, 2021**

(51) **LOC (13) Cl.** **14-03**

(52) **U.S. Cl.**
USPC **D14/138 G**

(58) **Field of Classification Search**
USPC D14/138 G, 248, 138 C, 138 AB, 341,
D14/439, 432, 345, 138 R, 138 AA,
D14/138 AC, 138 AD, 371, 374
CPC H04M 1/0202; H04M 1/0235; H04M
1/0237; H04M 1/0239; H04M 1/0266;
H04M 1/0268; H04M 1/027; H04M
1/0295; H04M 1/02; H04M 1/0279;
H04M 1/0283

See application file for complete search history.

FIG. 1 is a front perspective view of an electronic device showing our new design;
FIG. 2 is a front view thereof;
FIG. 3 is a rear view thereof;
FIG. 4 is a left-side view thereof;
FIG. 5 is a right-side view thereof;
FIG. 6 is a top view thereof;
FIG. 7 is a bottom view thereof; and
FIG. 8 is a rear perspective view thereof.
FIG. 9 is an enlarged view of the encircled portion in FIG. 1;
FIG. 10 is an enlarged view of the encircled portion in FIG. 1;
FIG. 11 is an enlarged view of the encircled portion in FIG. 1;
FIG. 12 is an enlarged view of the encircled portion in FIG. 2;
FIG. 13 is an enlarged view of the encircled portion in FIG. 3;
FIG. 14 is an enlarged view of the encircled portion in FIG. 4; and,
FIG. 15 is an enlarged view of the encircled portion in FIG. 5.

(56) **References Cited**

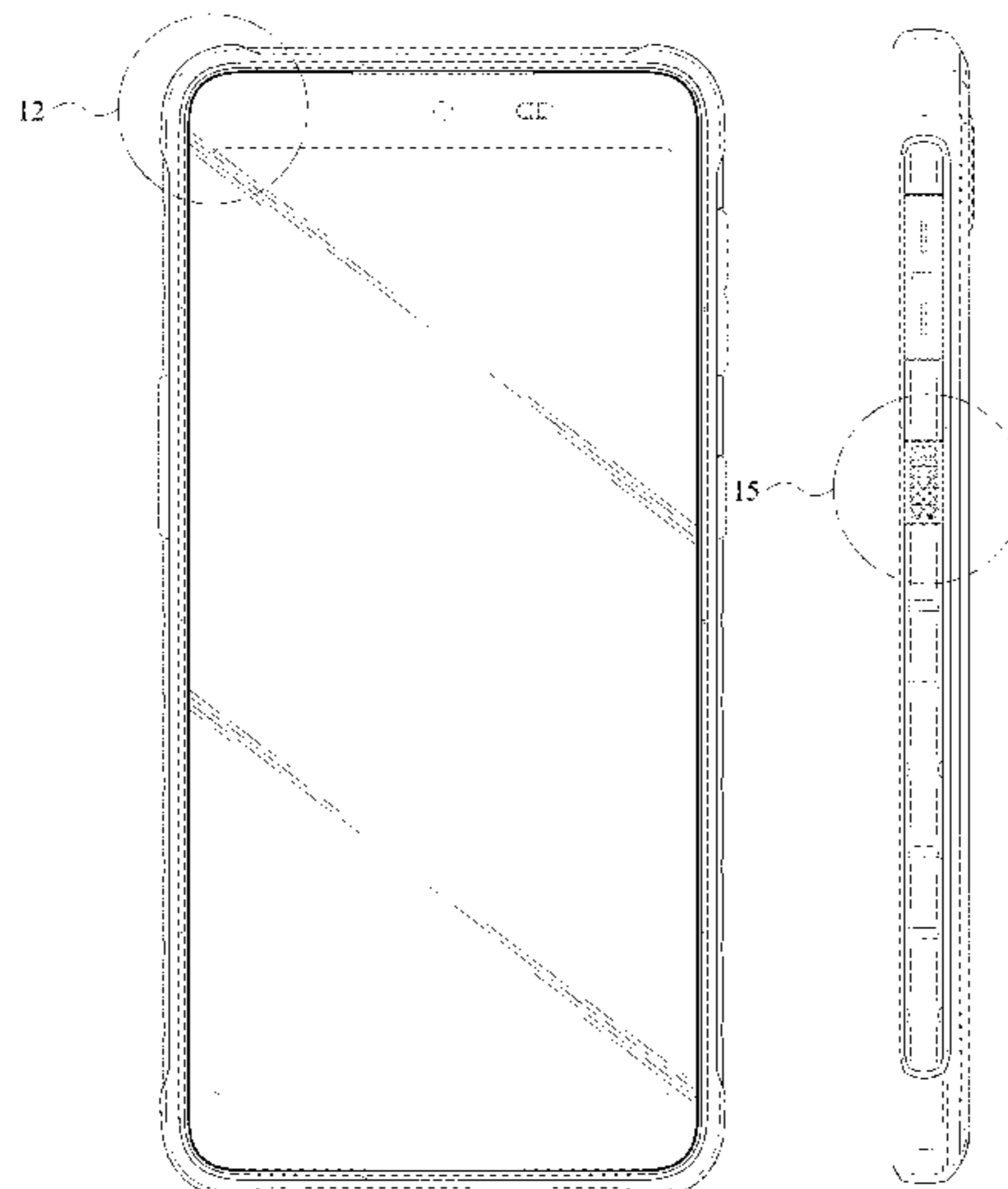
U.S. PATENT DOCUMENTS

D749,567 S *	2/2016	Lee	D14/203.4
D770,408 S *	11/2016	Lee	D14/138 G
D770,431 S *	11/2016	Lee	D14/248
D783,585 S *	4/2017	Park	D14/248
D785,612 S *	5/2017	Kim	D14/248
D787,487 S *	5/2017	Kim	D14/248
D788,736 S *	6/2017	Kim	D14/138 G
D791,727 S *	7/2017	Choi	D14/138 AA
D791,731 S *	7/2017	Aihara	D14/138 G
D793,389 S *	8/2017	Kim	D14/341
D800,083 S *	10/2017	Park	D14/138 G

(Continued)

The evenly dashed broken lines in the figures depict portions of the electronic device which form no part of the claimed design.
The dot-dash broken lines encircling portions of the claimed design that are illustrated in enlargements form no part of the claimed design.

1 Claim, 15 Drawing Sheets



(56)

References Cited

U.S. PATENT DOCUMENTS

D800,709	S	*	10/2017	Whang	D14/248
D807,850	S	*	1/2018	Whang	D14/138 G
D844,580	S	*	4/2019	Park	D14/138 G
D849,706	S	*	5/2019	Park	D14/138 G
D914,013	S	*	3/2021	Jin	D14/341
D933,063	S	*	10/2021	Lee	D14/341
D944,752	S	*	3/2022	Higashide	D14/138 G
2013/0271897	A1	*	10/2013	Limber	H04M 1/04 361/679.01

* cited by examiner

FIG. 1

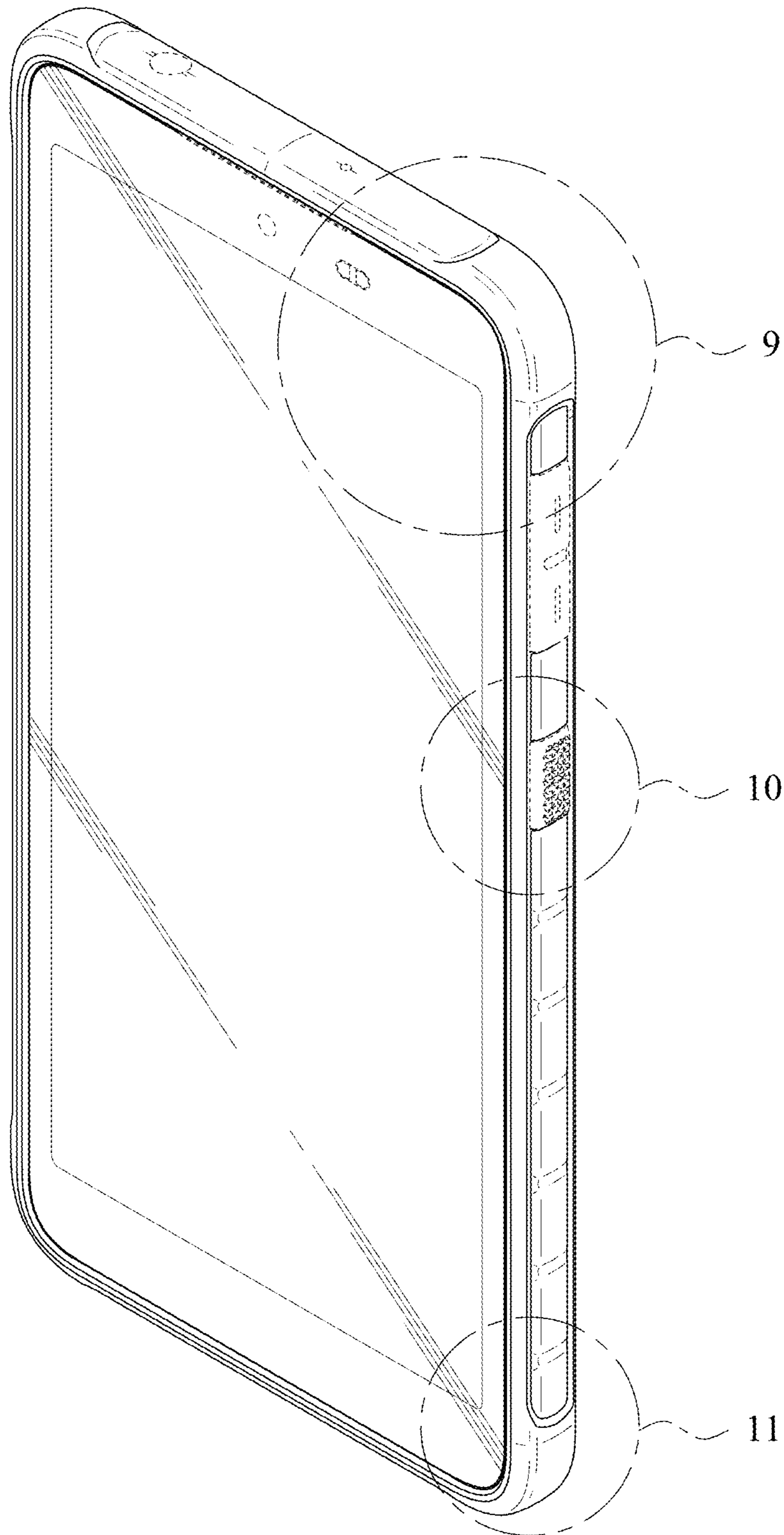


FIG. 2

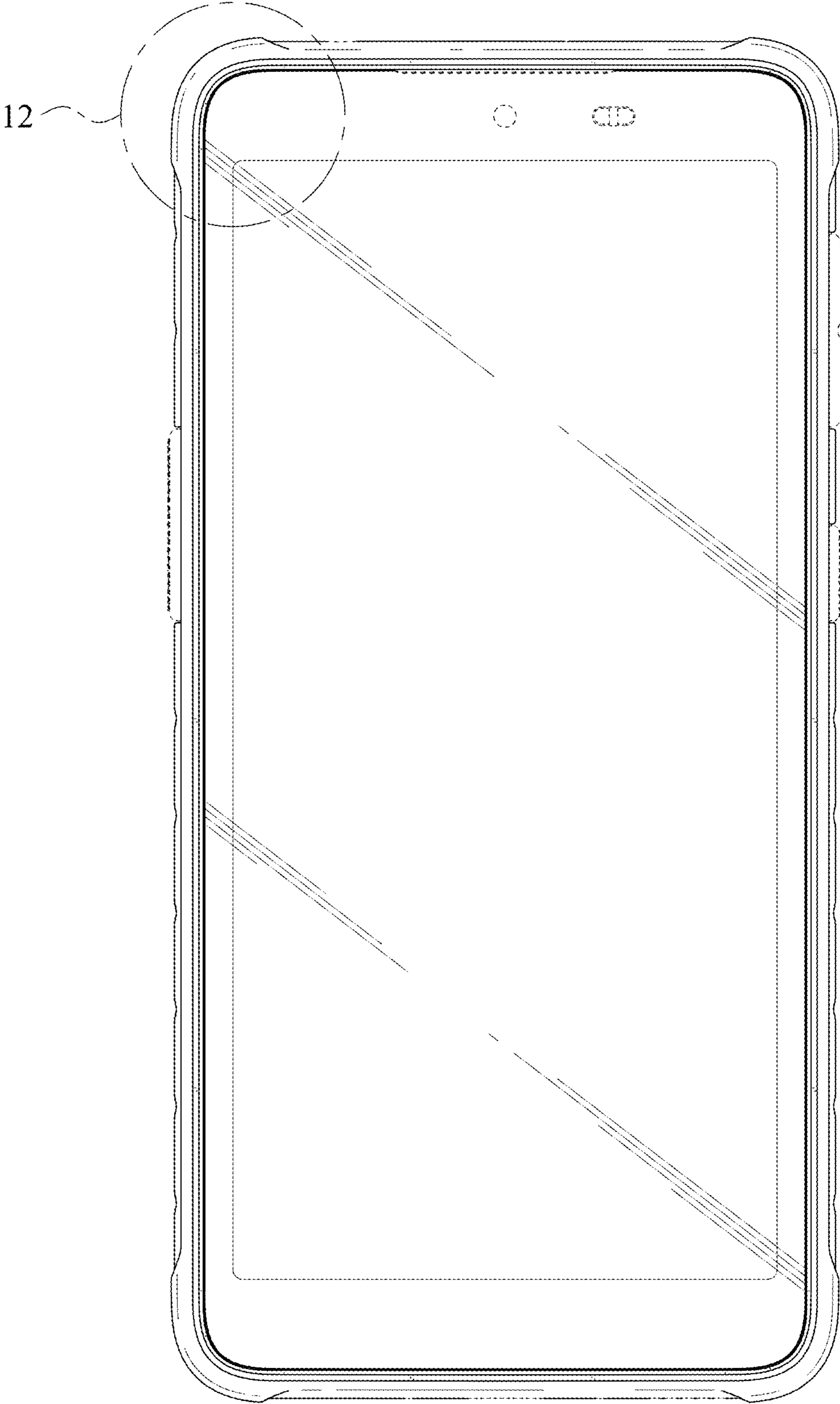


FIG. 3

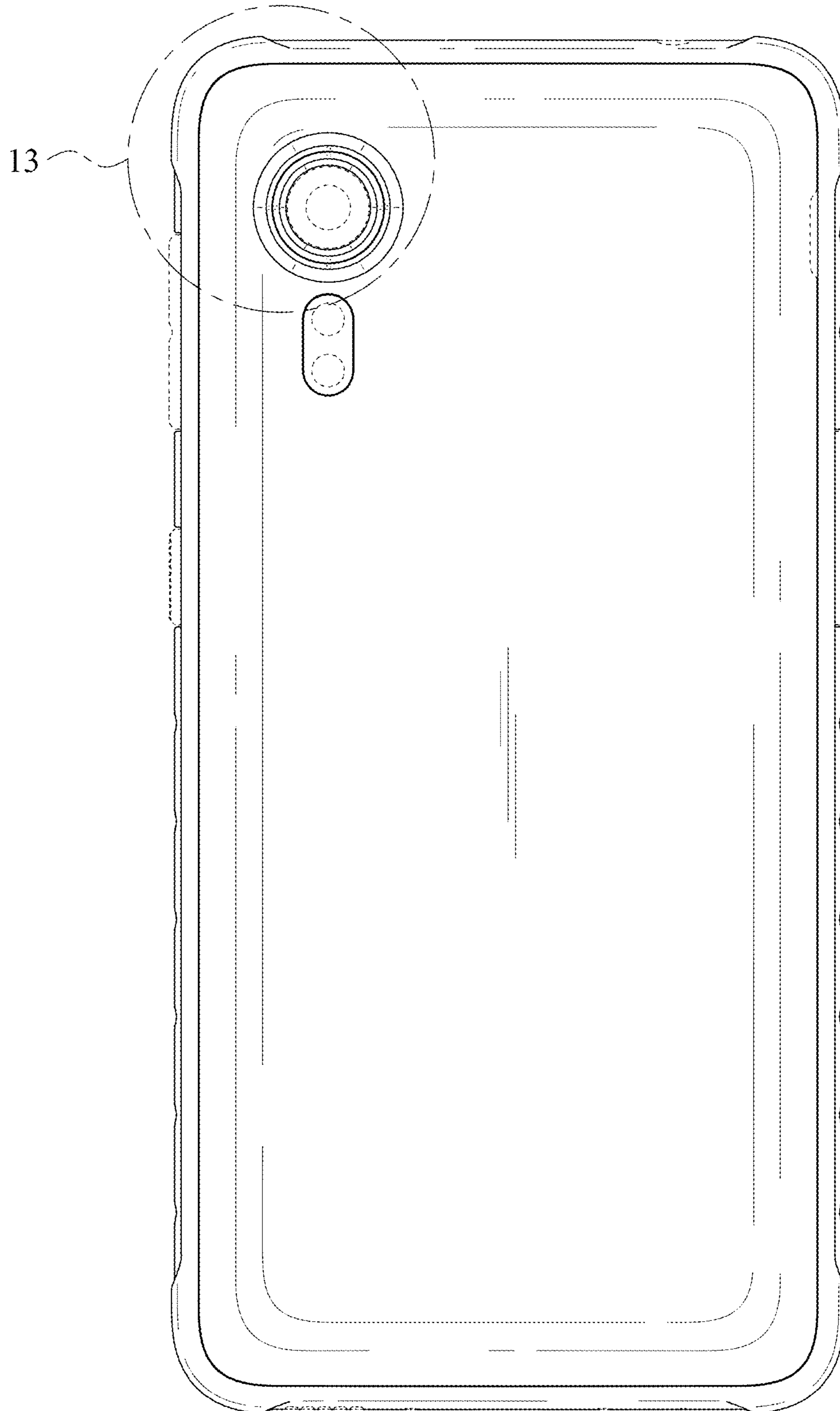


FIG. 4

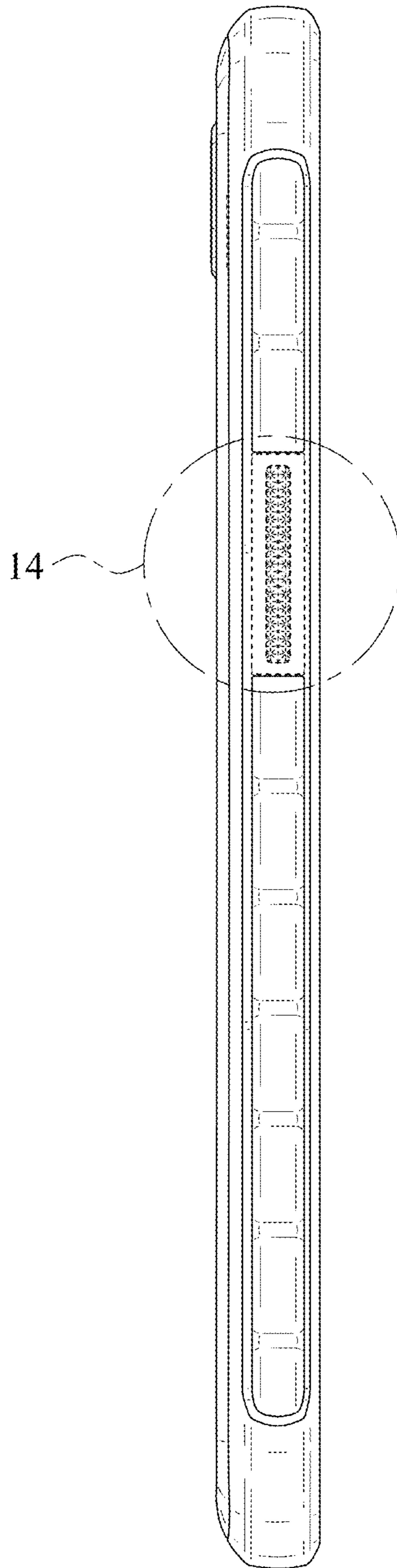


FIG. 5

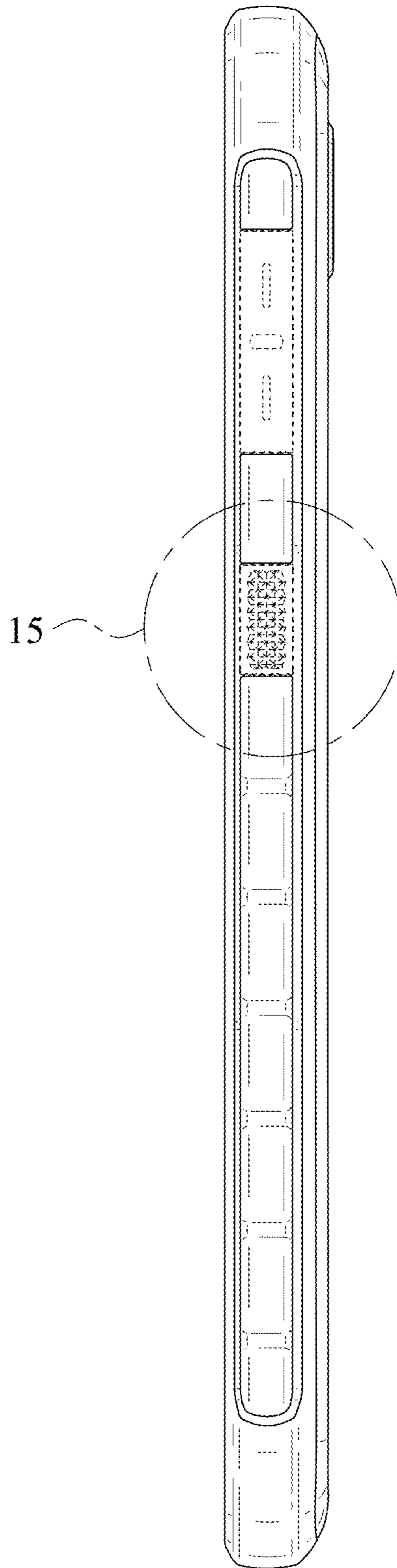


FIG. 6

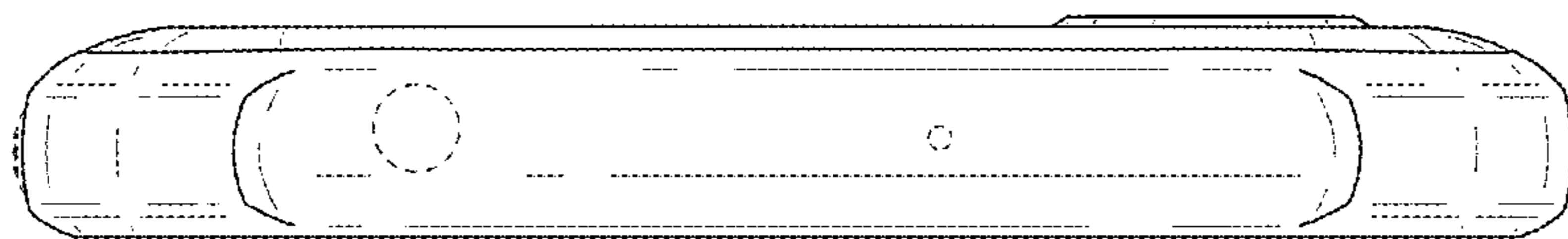


FIG. 7

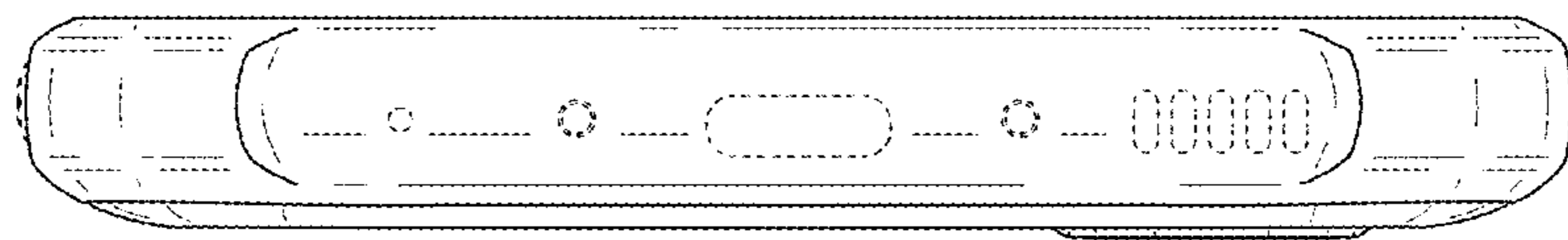


FIG. 8

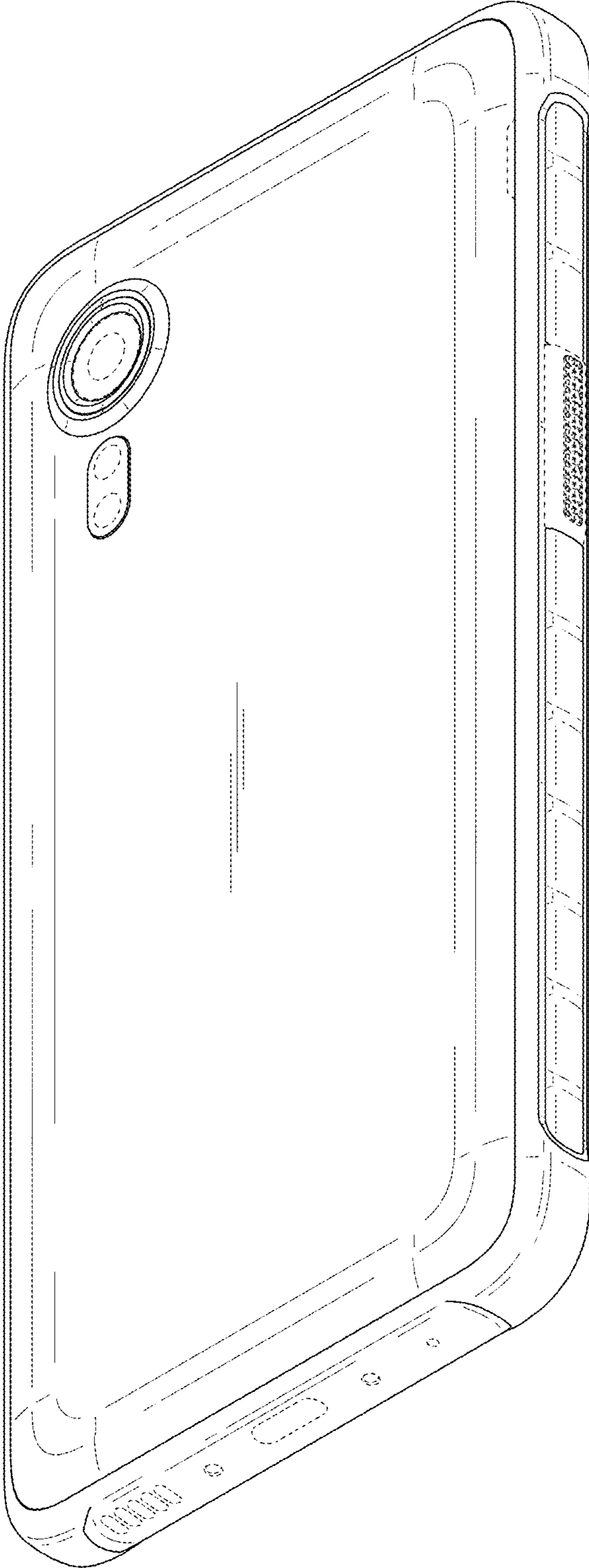


FIG. 9

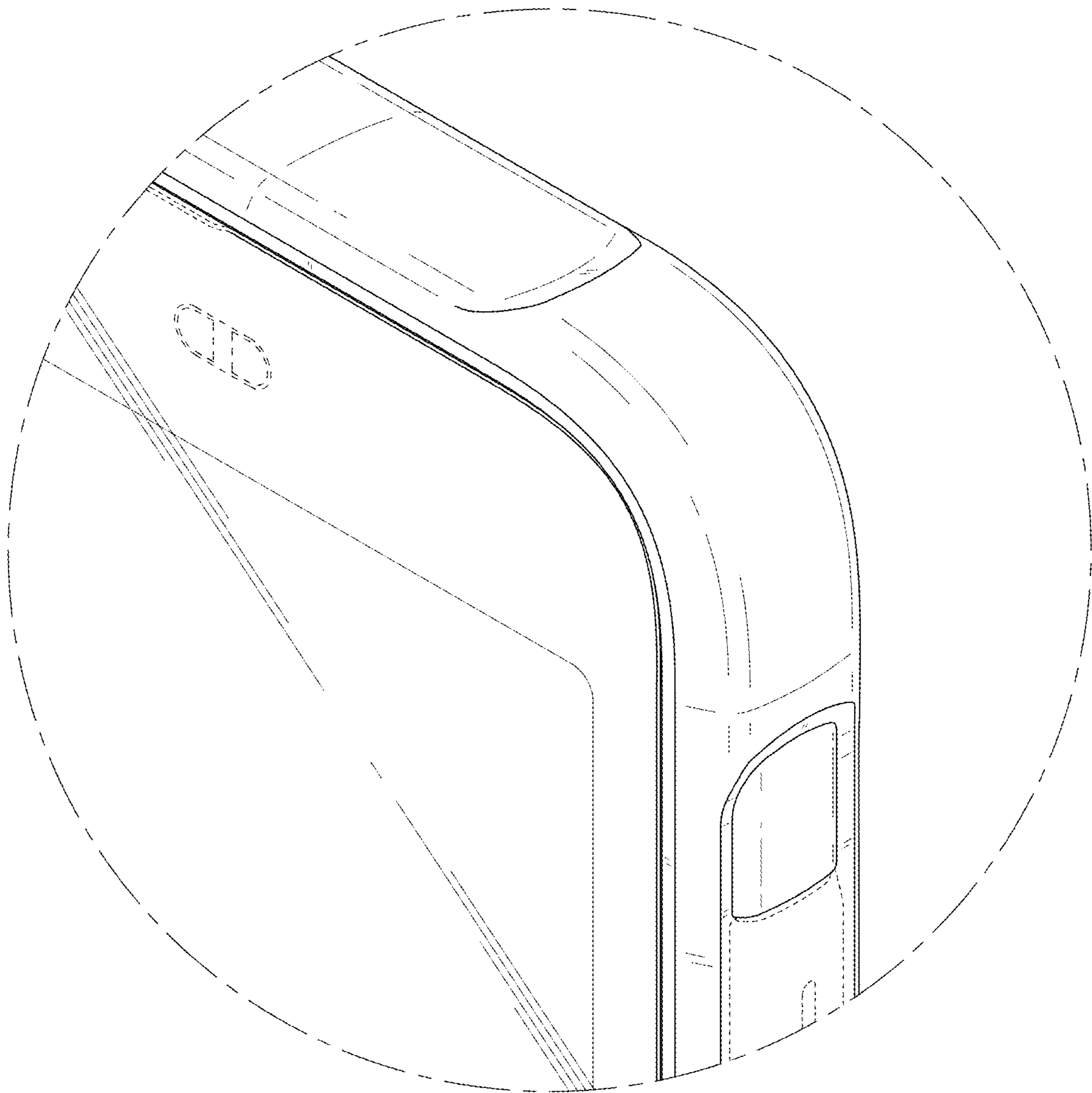


FIG. 10

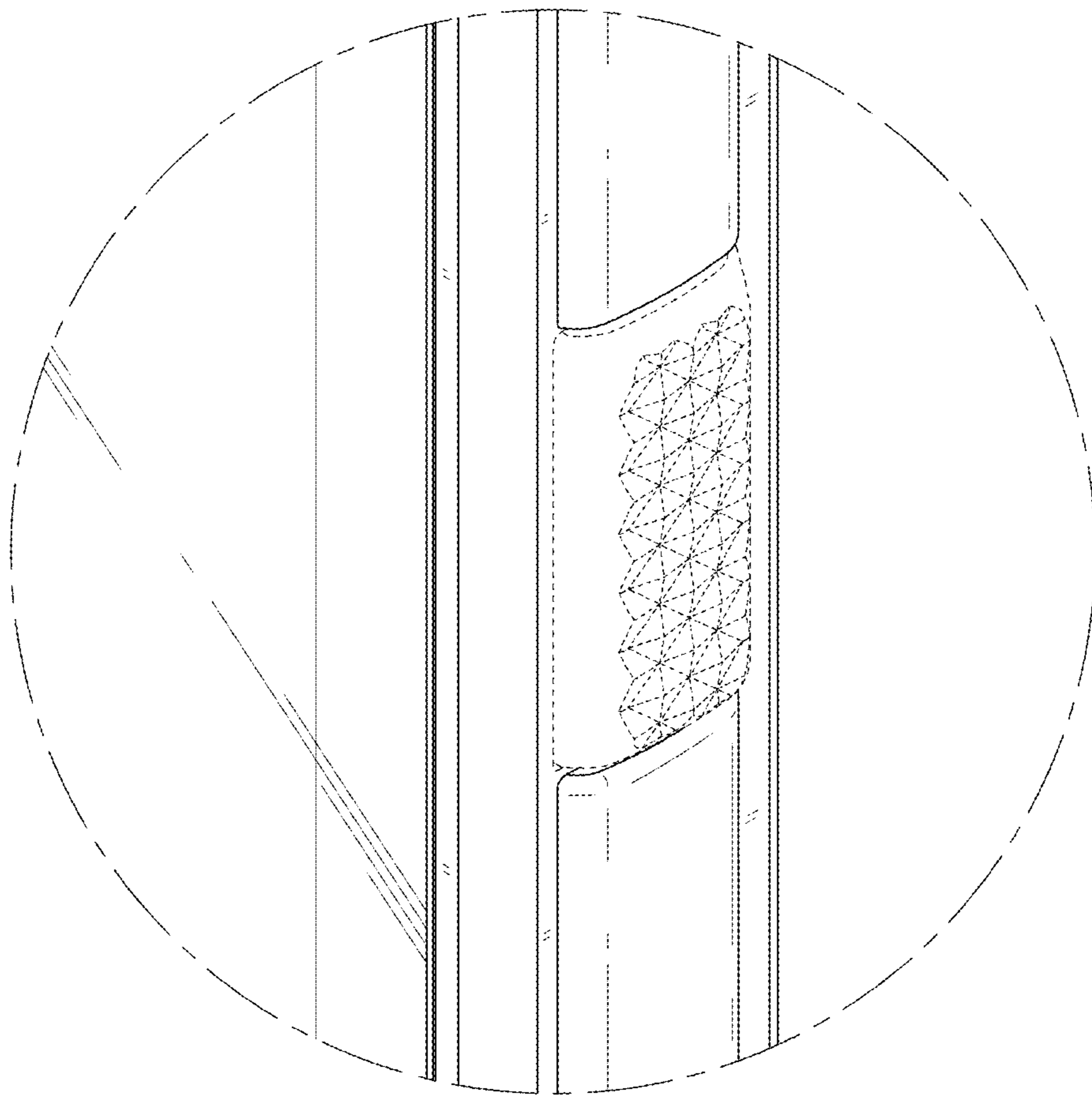


FIG. 11

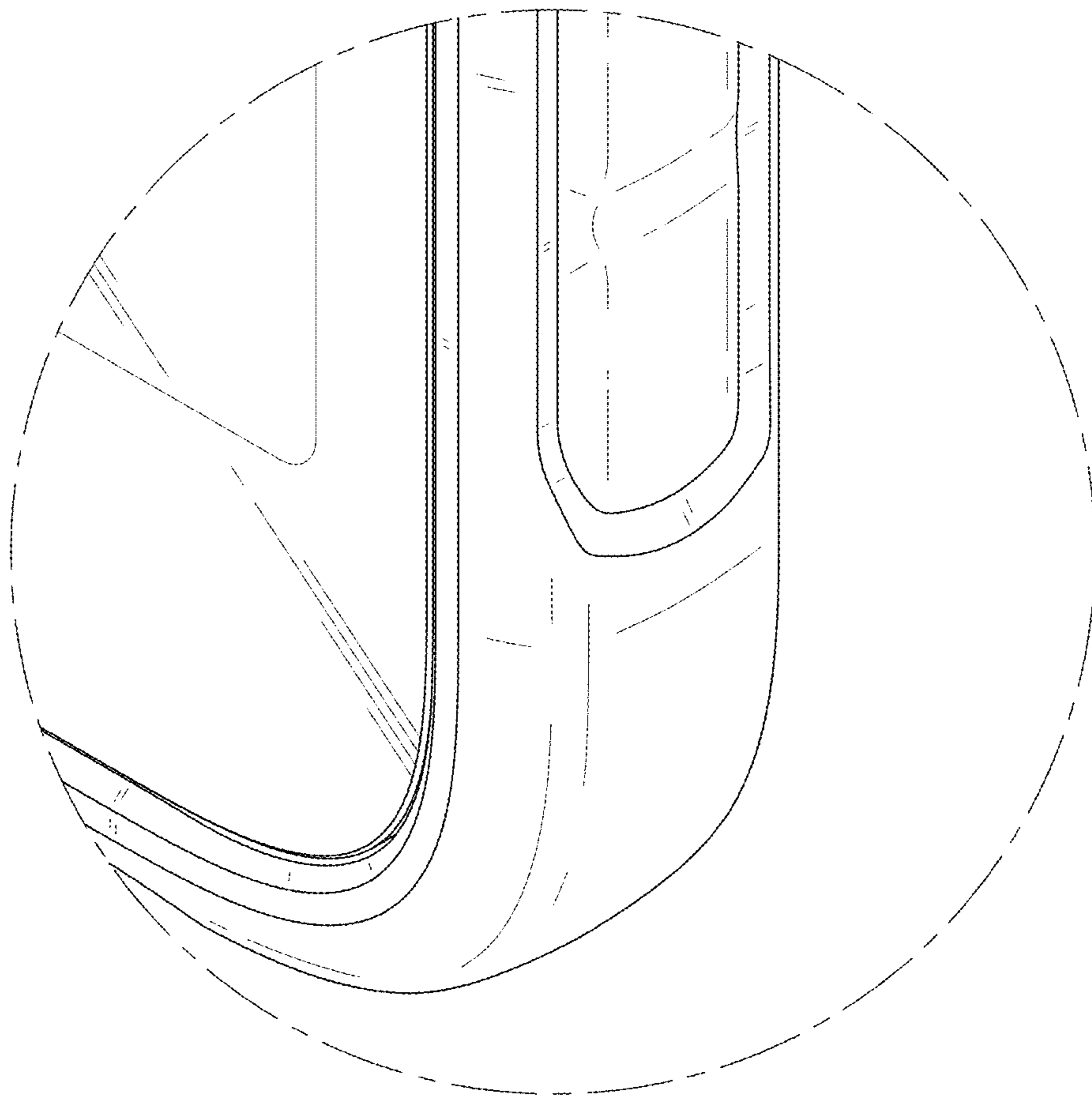


FIG. 12

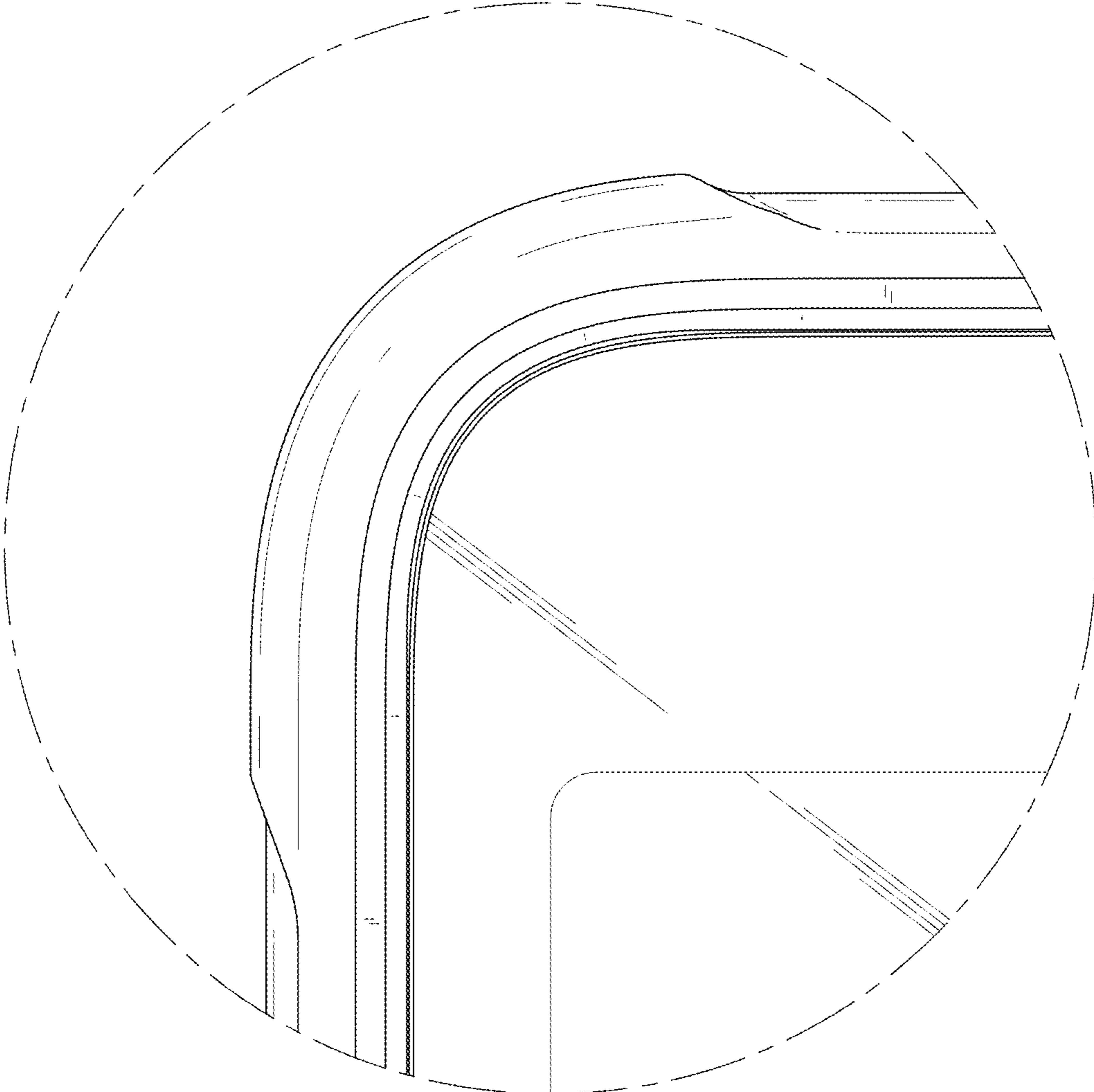


FIG. 13

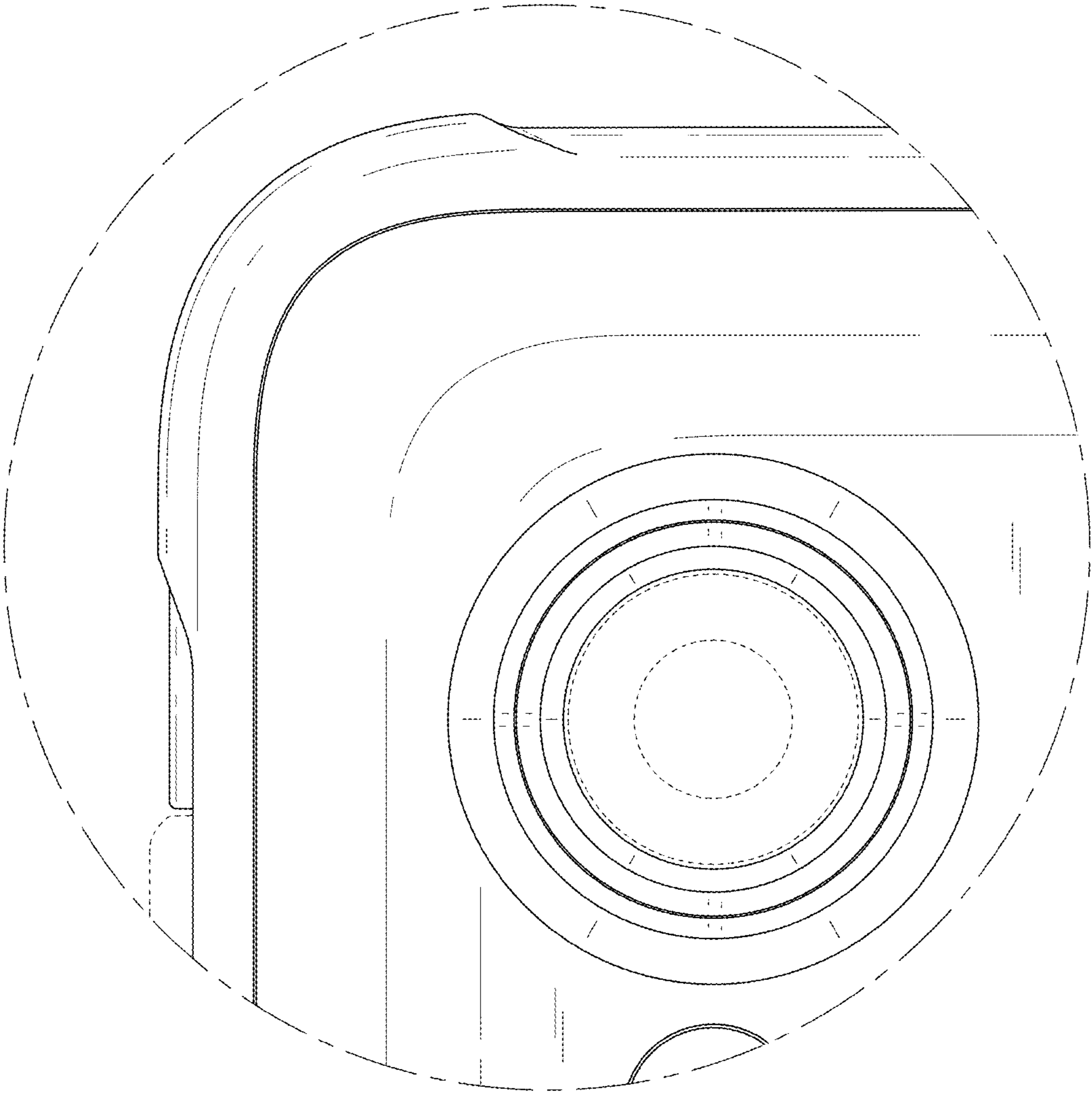


FIG. 14

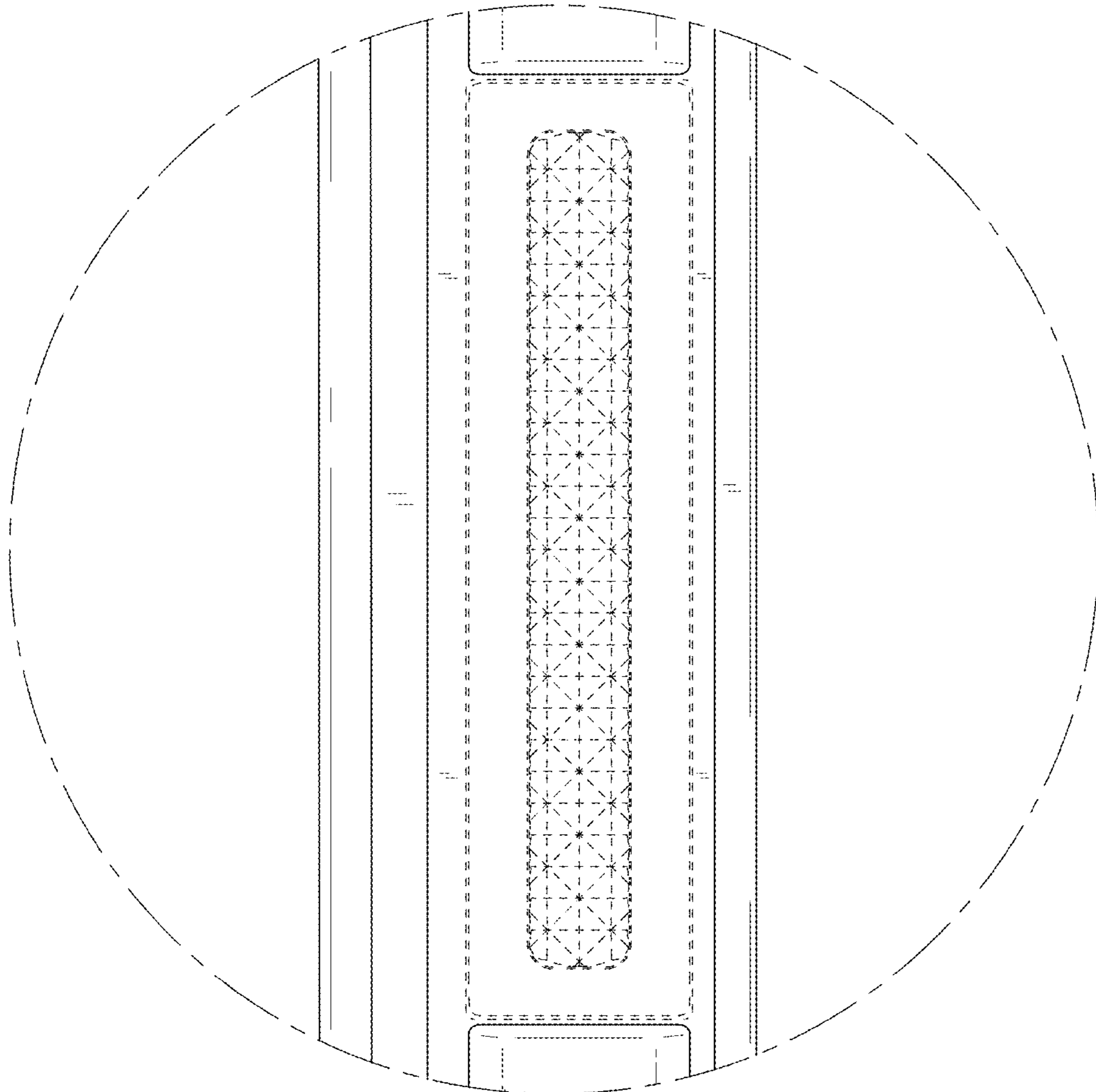


FIG. 15

