



US00D971165S

(12) **United States Design Patent**  
**Hamlin**

(10) **Patent No.:** **US D971,165 S**

(45) **Date of Patent:** **\*\* Nov. 29, 2022**

- (54) **LIGHTING CONTROL WAND**
- (71) Applicant: **Gentex Corporation**, Zeeland, MI (US)
- (72) Inventor: **Bradley R. Hamlin**, Allendale, MI (US)
- (73) Assignee: **GENTEX CORPORATION**, Zeeland, MI (US)
- (\*\*) Term: **15 Years**
- (21) Appl. No.: **29/769,340**
- (22) Filed: **Feb. 4, 2021**
- (51) **LOC (13) Cl.** ..... **14-03**
- (52) **U.S. Cl.**  
USPC ..... **D13/168**
- (58) **Field of Classification Search**  
USPC ..... D13/162, 164, 168; D14/218; D7/688; D32/40  
CPC ..... G08C 17/02; G08C 19/00; G08C 19/12; G08C 19/28; G08C 23/04; H04B 1/202; H03J 9/00; H03J 9/02; H03J 9/04; H03J 9/06; H03J 1/0025; H05B 47/10; H05B 47/19  
See application file for complete search history.

- 7,900,329 B2 \* 3/2011 Chun ..... A47J 43/288 29/270
- D670,660 S \* 11/2012 Cook ..... D13/168
- D697,036 S \* 1/2014 Kay ..... D13/168
- D861,269 S \* 9/2019 Thompson ..... D32/40
- D945,975 S \* 3/2022 Abramson ..... D13/168

\* cited by examiner

*Primary Examiner* — Selina Sikder

(74) *Attorney, Agent, or Firm* — Price Heneveld LLP; Brian James Brewer

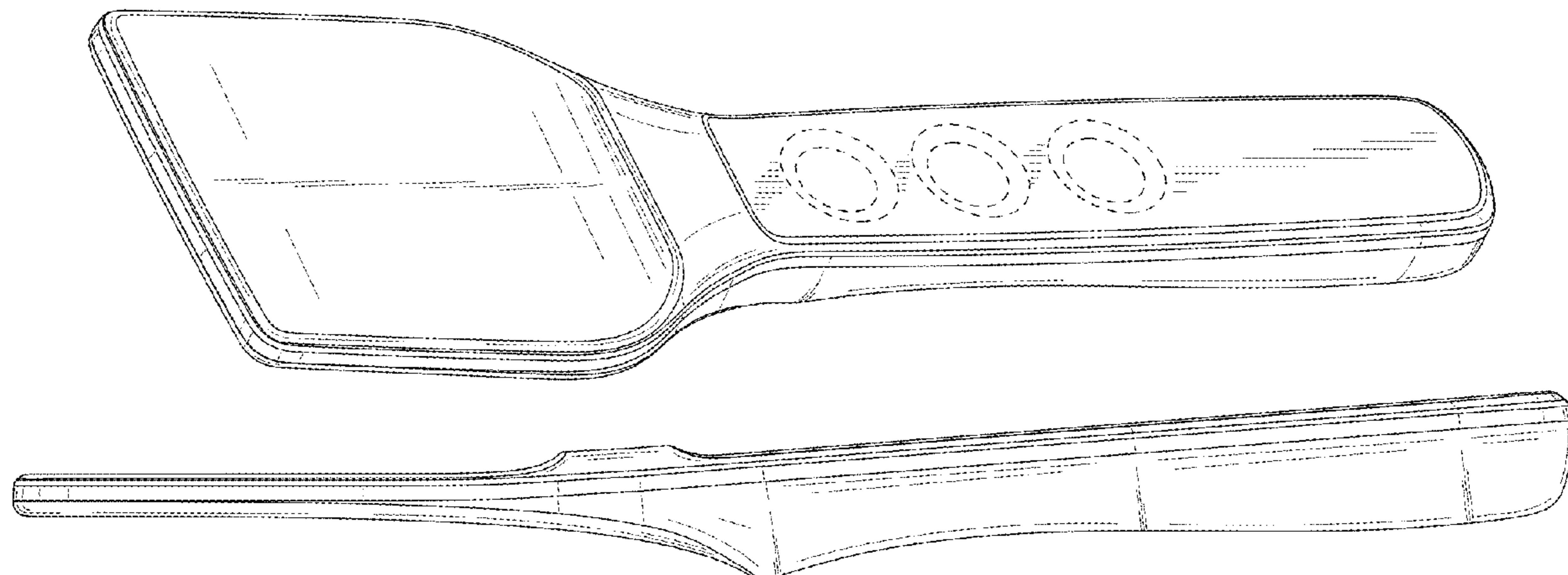
(57) **CLAIM**

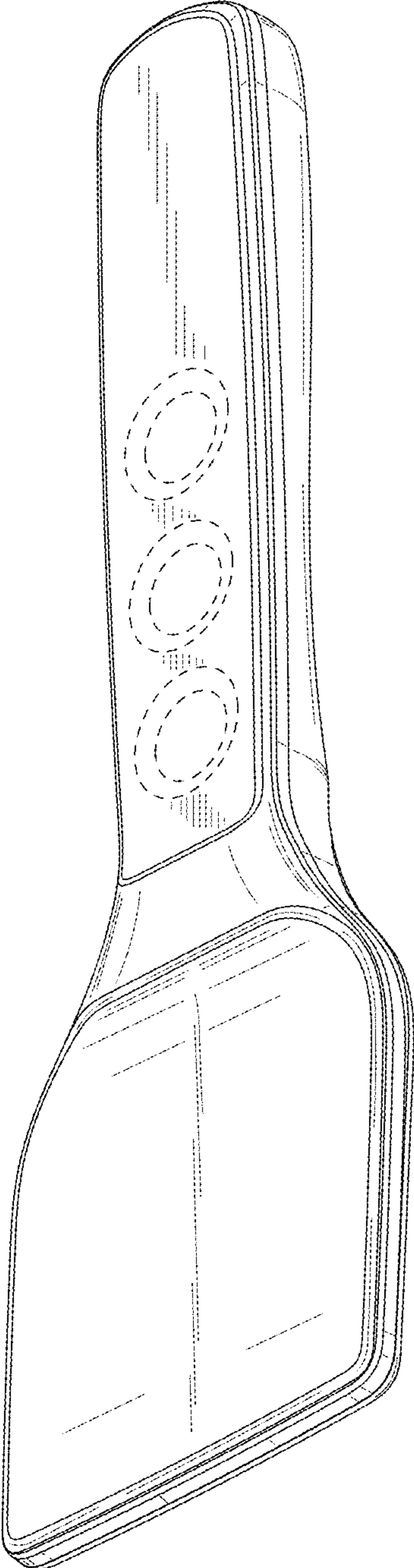
I claim the ornamental design for a lighting control wand, as shown and described.

**DESCRIPTION**

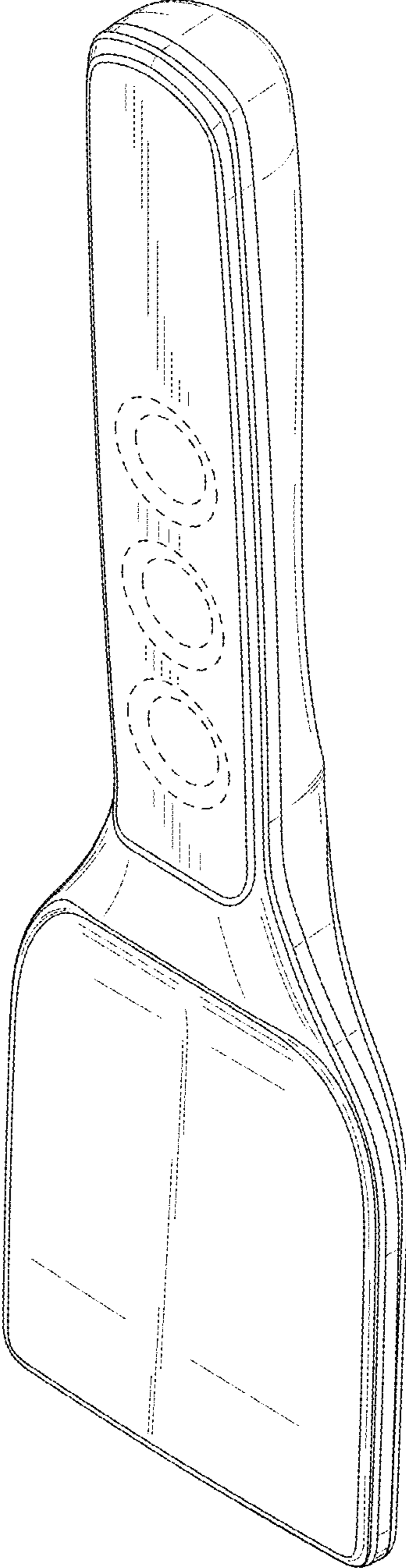
FIG. 1 is a top, front perspective view of a lighting control wand of the present disclosure;  
 FIG. 2 is a top, rear perspective view of the lighting control wand of FIG. 1;  
 FIG. 3 is a bottom, front perspective view of the lighting control wand of FIG. 1;  
 FIG. 4 is a bottom, rear perspective view of the lighting control wand of FIG. 1;  
 FIG. 5 is a first side elevational view of the lighting control wand of FIG. 1;  
 FIG. 6 is a second side elevational view of the lighting control wand of FIG. 1;  
 FIG. 7 is a top plan view of the lighting control wand of FIG. 1;  
 FIG. 8 is a bottom plan view of the lighting control wand of FIG. 1;  
 FIG. 9 is a front elevational view of the lighting control wand of FIG. 1; and,  
 FIG. 10 is a rear elevational view of the lighting control wand of FIG. 1.  
 The broken lines depict portions of the article that form no part of the claimed design.

**1 Claim, 5 Drawing Sheets**





**FIG. 1**



**FIG. 2**

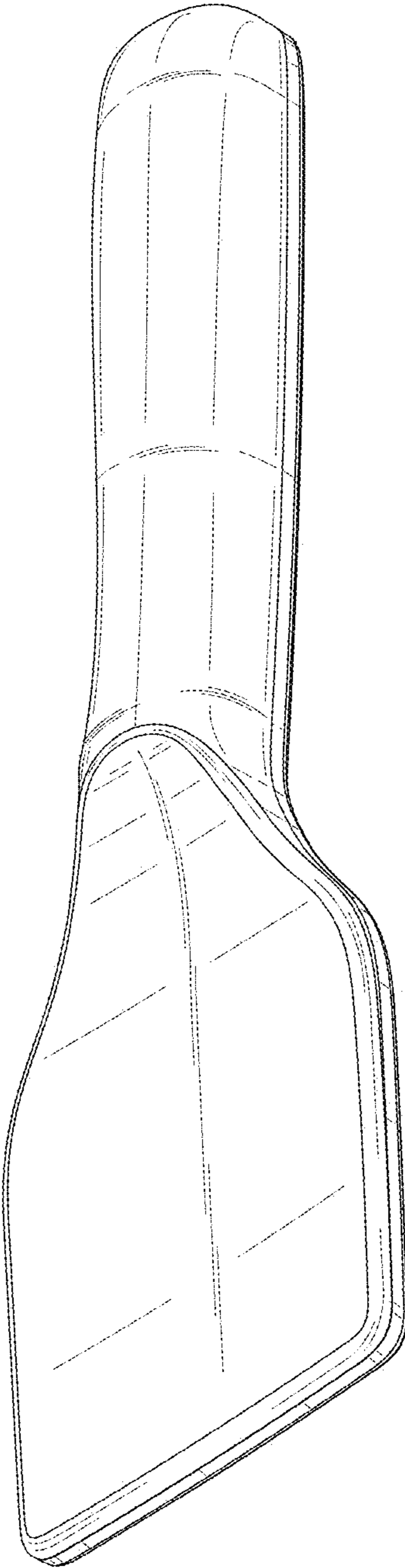


FIG. 3

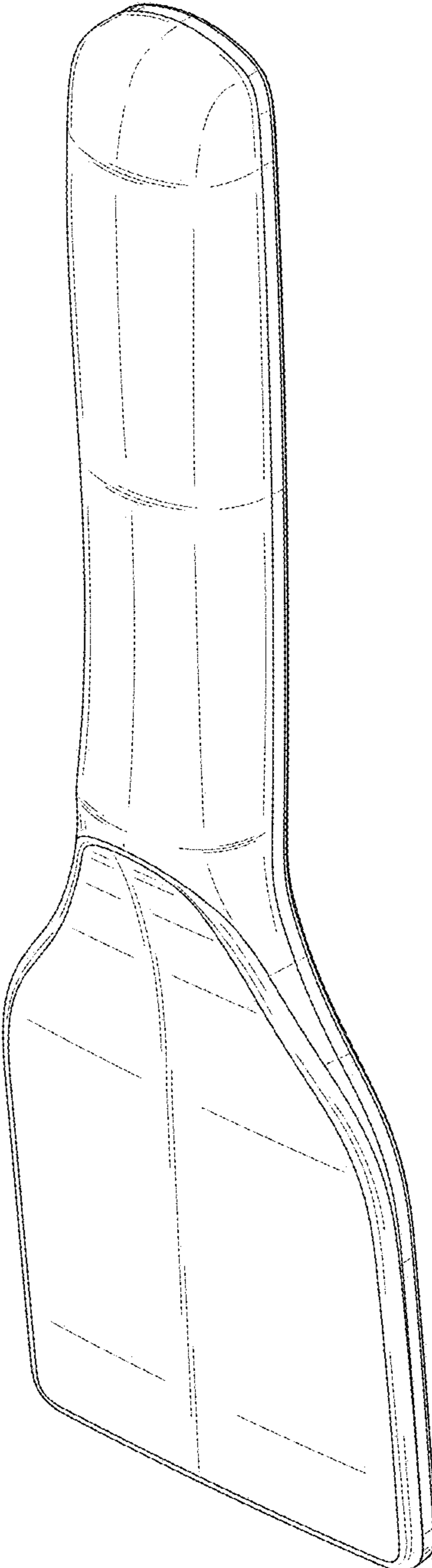
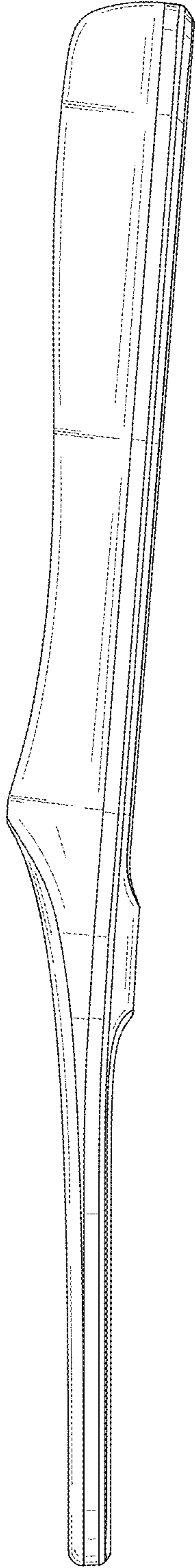
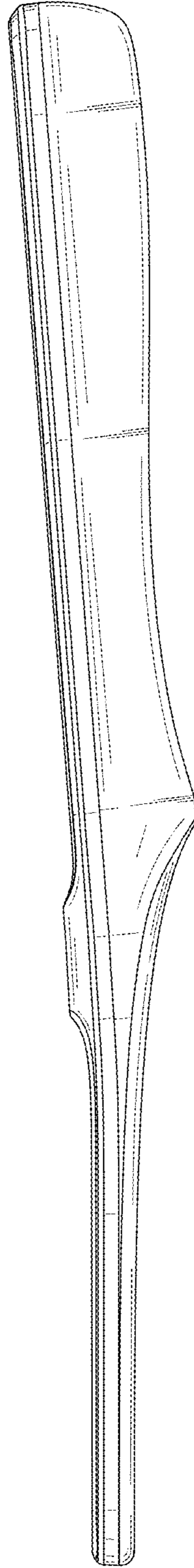


FIG. 4





**FIG. 5**



**FIG. 6**

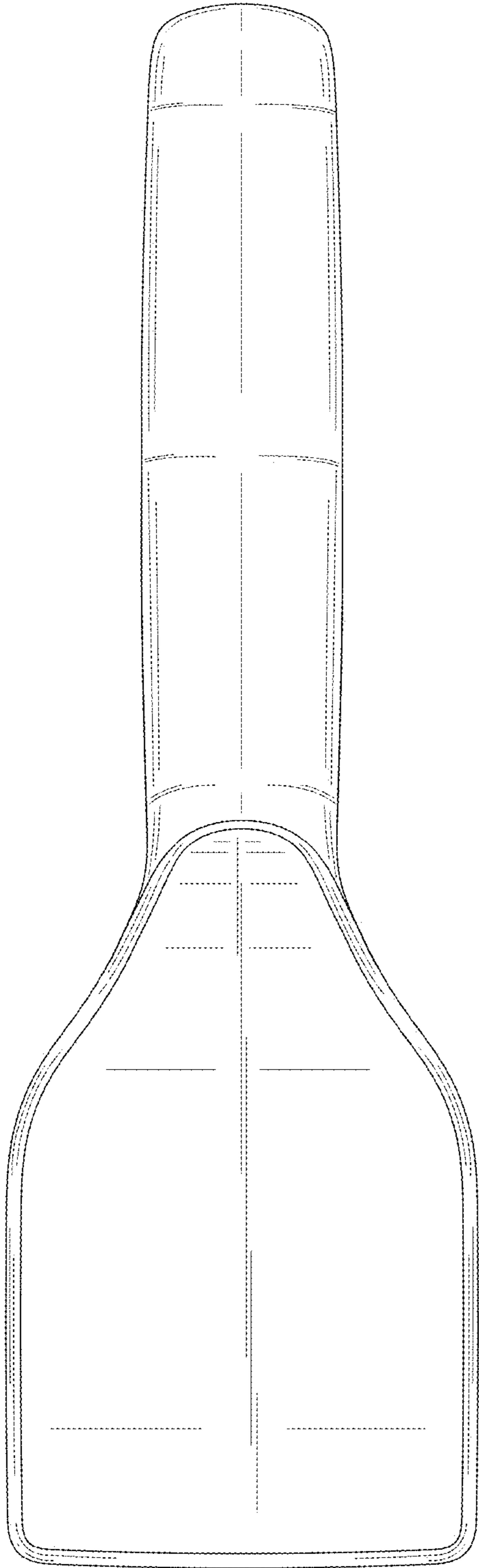


FIG. 7

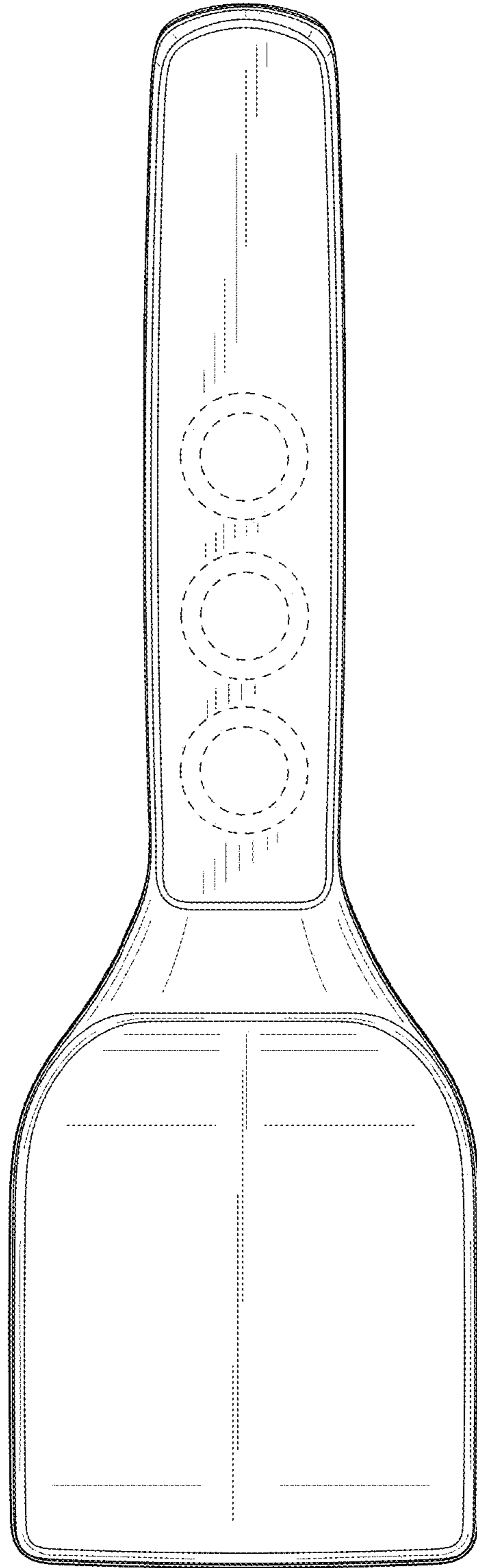


FIG. 8

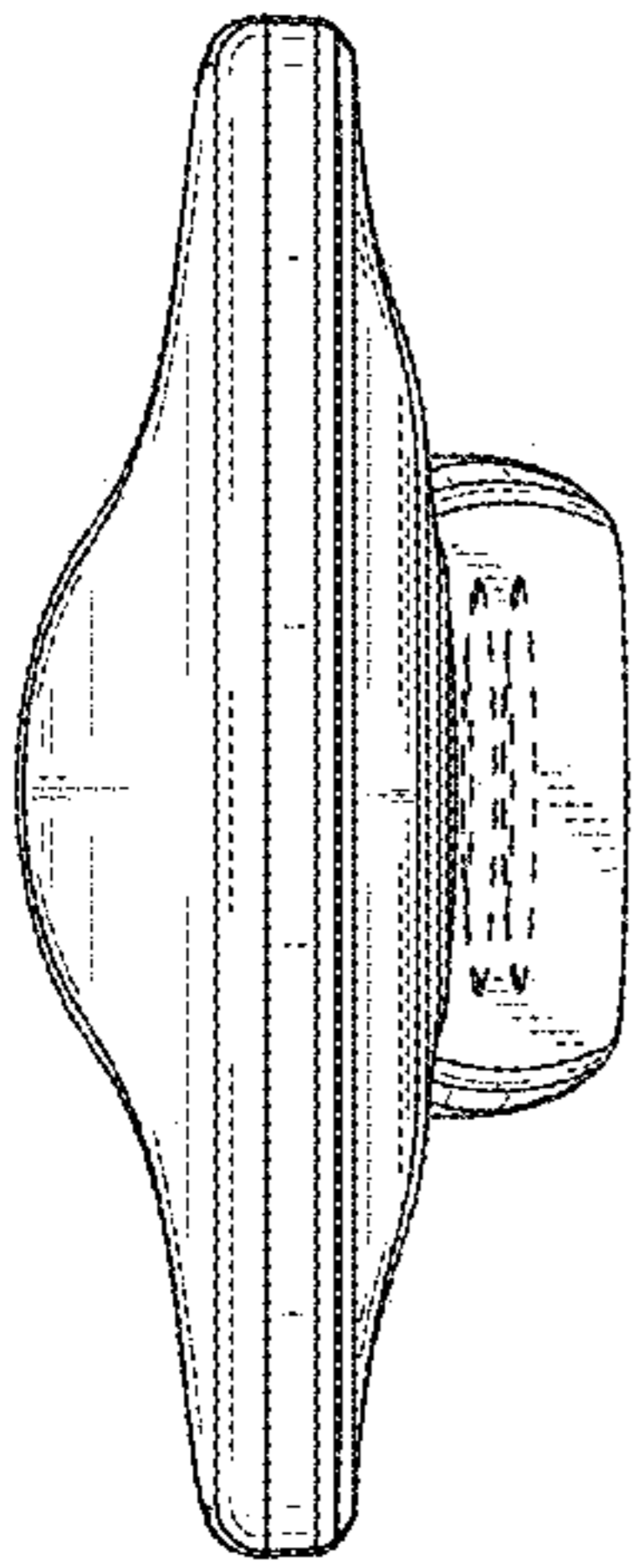


FIG. 9

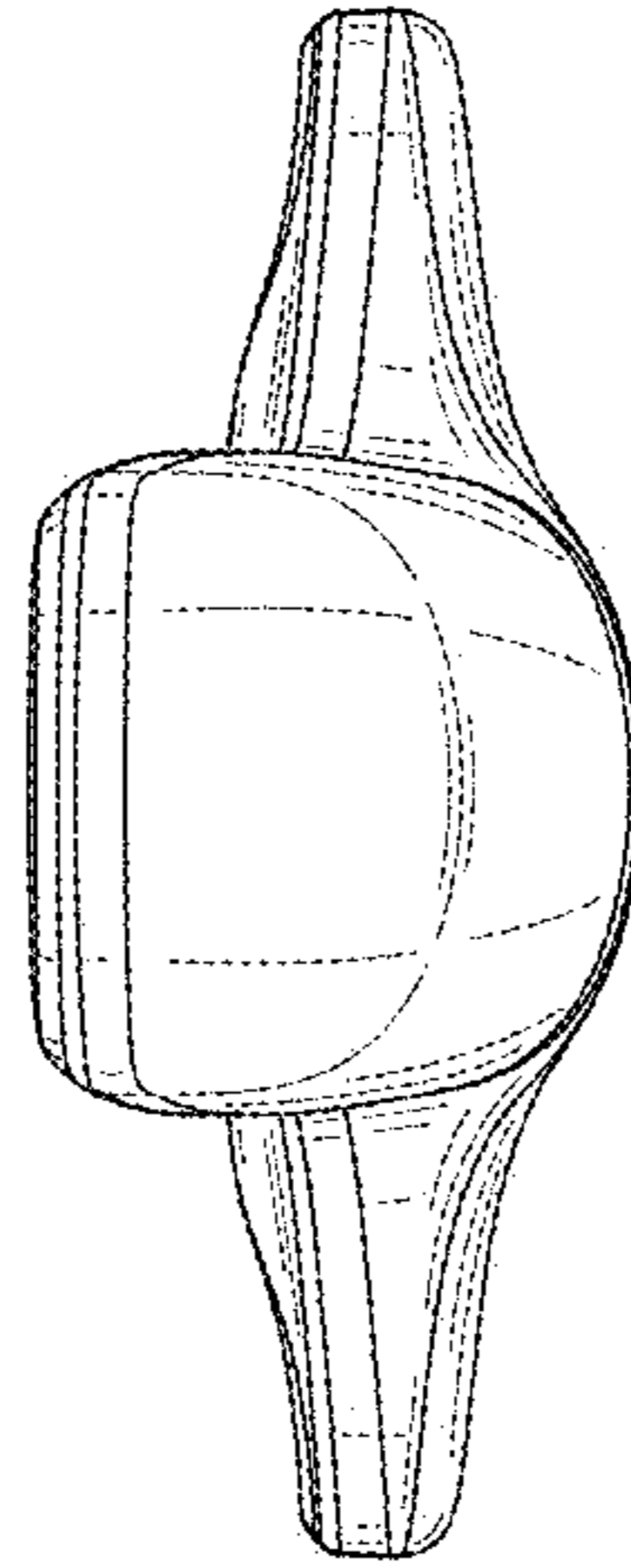


FIG. 10