

US00D971164S

(12) **United States Design Patent** (10) **Patent No.:** **US D971,164 S**
Nie (45) **Date of Patent:** **** Nov. 29, 2022**

(54) **DIGITAL GROW ROOM CONTROLLER**

(71) Applicant: **Shubo Nie**, Shenzhen (CN)

(72) Inventor: **Shubo Nie**, Shenzhen (CN)

(**) Term: **15 Years**

(21) Appl. No.: **29/814,468**

(22) Filed: **Nov. 5, 2021**

(51) **LOC (13) Cl.** **13-03**

(52) **U.S. Cl.**
USPC **D13/162**

(58) **Field of Classification Search**
USPC D13/162, 168; D10/49, 50, 104.1, 106.1,
D10/106.95; D14/218, 336, 337, 341,
D14/371, 374, 375; D6/300; D26/142
CPC .. F24F 11/50; F24F 11/52; F24F 11/56; F24F
11/523; F24F 11/62; F24F 11/65; G05B
19/042; G05B 19/0426; G05B 19/05;
G05B 19/409; G05B 15/02; G06F
1/1601; G06F 3/041; G06F 3/044; G06F
3/0482; G06F 3/0488; G06F 3/0489;
G05D 23/1931; A01G 7/045

See application file for complete search history.

(56) **References Cited**

U.S. PATENT DOCUMENTS

D424,068 S * 5/2000 Takemasa D14/374
D474,037 S * 5/2003 Shih D6/308
D602,259 S * 10/2009 Finnegan D14/371
D614,871 S * 5/2010 Tang D14/371
D690,661 S * 10/2013 Wisniewski D13/162
D694,195 S * 11/2013 Gammon D13/162
8,960,634 B2 * 2/2015 Le Gette B65H 75/4476
248/176.1
D727,271 S * 4/2015 Shi D13/162
D727,857 S * 4/2015 Acera D13/162
D745,993 S * 12/2015 Reynolds D26/118
D762,642 S * 8/2016 Johnson D14/371
9,839,182 B2 * 12/2017 Mason A01G 9/249
D848,056 S 5/2019 Carskadon

D850,415 S * 6/2019 Kashimoto D14/218
D860,949 S 9/2019 Xiao
D929,992 S * 9/2021 McKenna D14/374
D935,333 S * 11/2021 Bai D10/53
2004/0164966 A1 * 8/2004 Lee G06F 3/0488
345/173
2013/0038212 A1 * 2/2013 Yabuta G02F 1/133611
315/297
2015/0305108 A1 * 10/2015 Probasco H05B 45/20
47/58.1 LS

(Continued)

OTHER PUBLICATIONS

TrolMaster Hydro-X Pro Control System—HCS-2—Garden Environmental Controller; retrieved on Aug. 21, 2022; 1 pg; https://www.amazon.com/TrolMaster-Hydro-X-Control-System-Environmental/dp/B085J1L86X/ref=sr_1_3?crid=32F7KK7KTFIG&keywords=TrolMaster+Hydro-X+PRO+Environmental+Control&qid=1661112145&srefix=trolmaster+hy.*

Primary Examiner — Selina Sikder

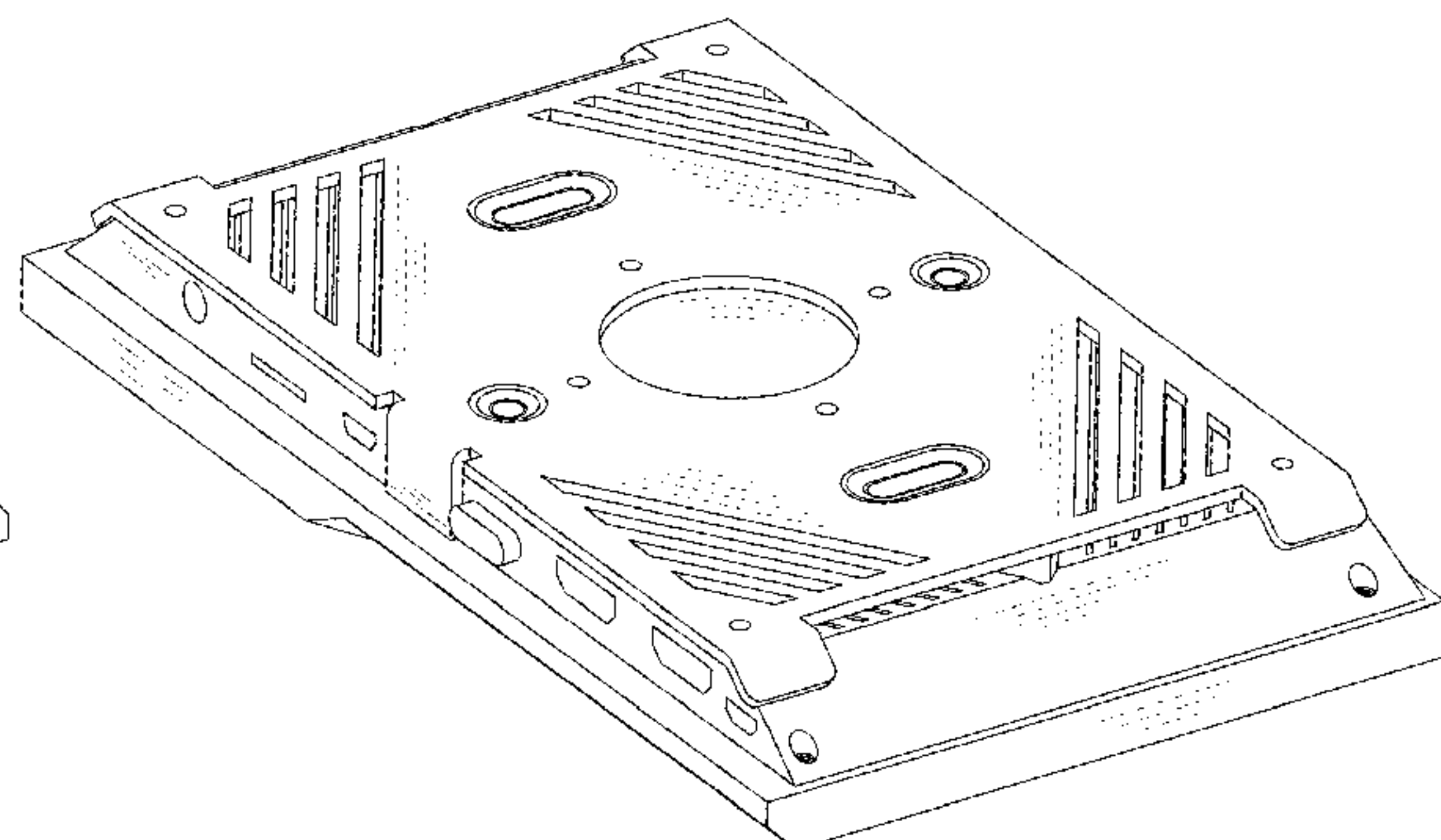
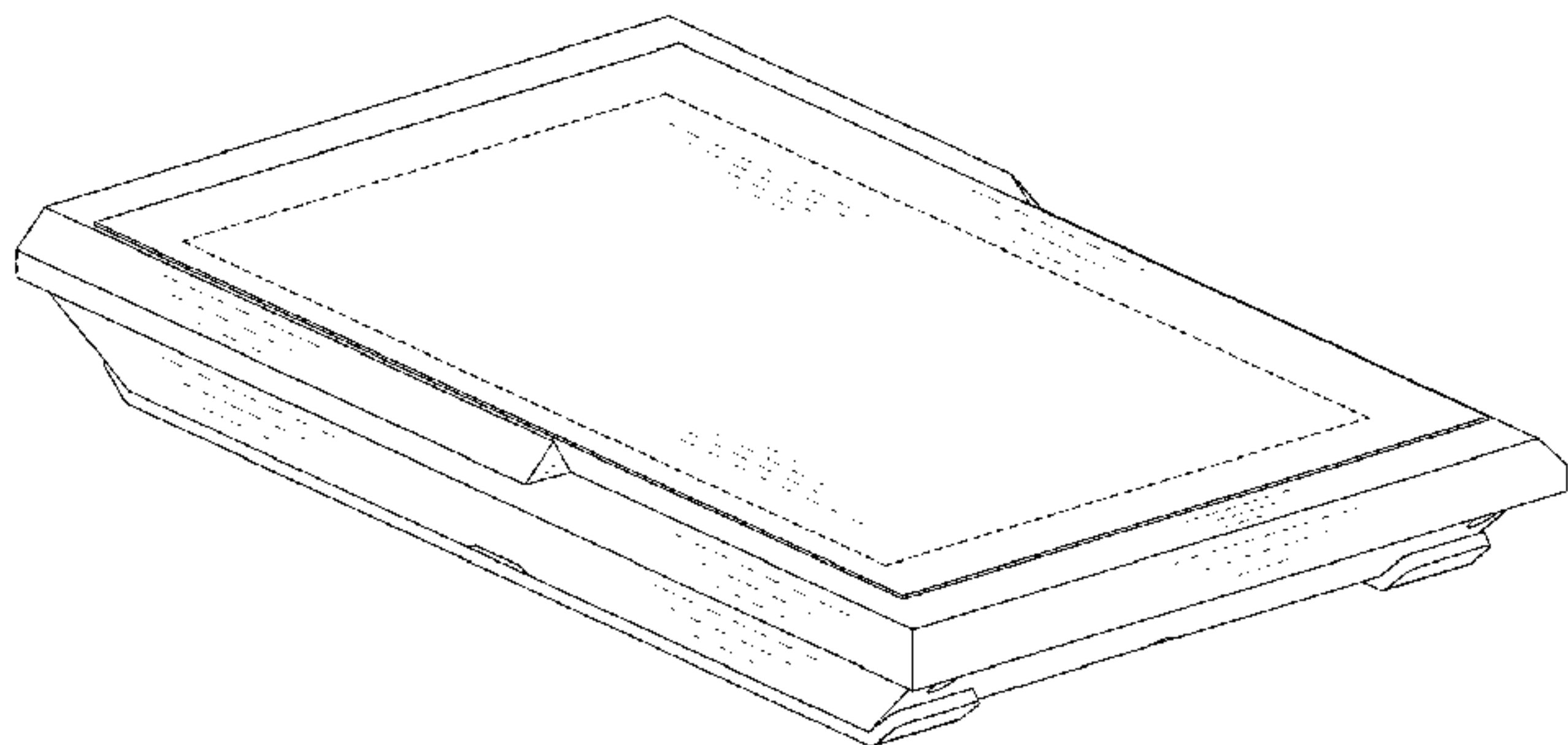
(57) **CLAIM**

The ornamental design for a digital grow room controller, as shown and described.

DESCRIPTION

FIG. 1 is a perspective view of a digital grow room controller showing my new design;
FIG. 2 is an alternative perspective view thereof;
FIG. 3 is an exploded perspective view thereof, showing features that are not visible in the other views;
FIG. 4 is a front view thereof;
FIG. 5 is a back view thereof;
FIG. 6 is a left side view thereof;
FIG. 7 is a right side view thereof;
FIG. 8 is a top plan view thereof; and,
FIG. 9 is a bottom plan view thereof.
The broken lines in the drawing depict environmental subject matter only and form no part of the claimed design.

1 Claim, 9 Drawing Sheets



(56)

References Cited

U.S. PATENT DOCUMENTS

2016/0178179 A1* 6/2016 Hanson A01G 7/045
362/249.02
2016/0219794 A1* 8/2016 Greenberg H05B 47/105
2017/0034895 A1* 2/2017 Vogel A01G 7/045
2019/0059237 A1* 2/2019 Johnson F21S 4/28

* cited by examiner

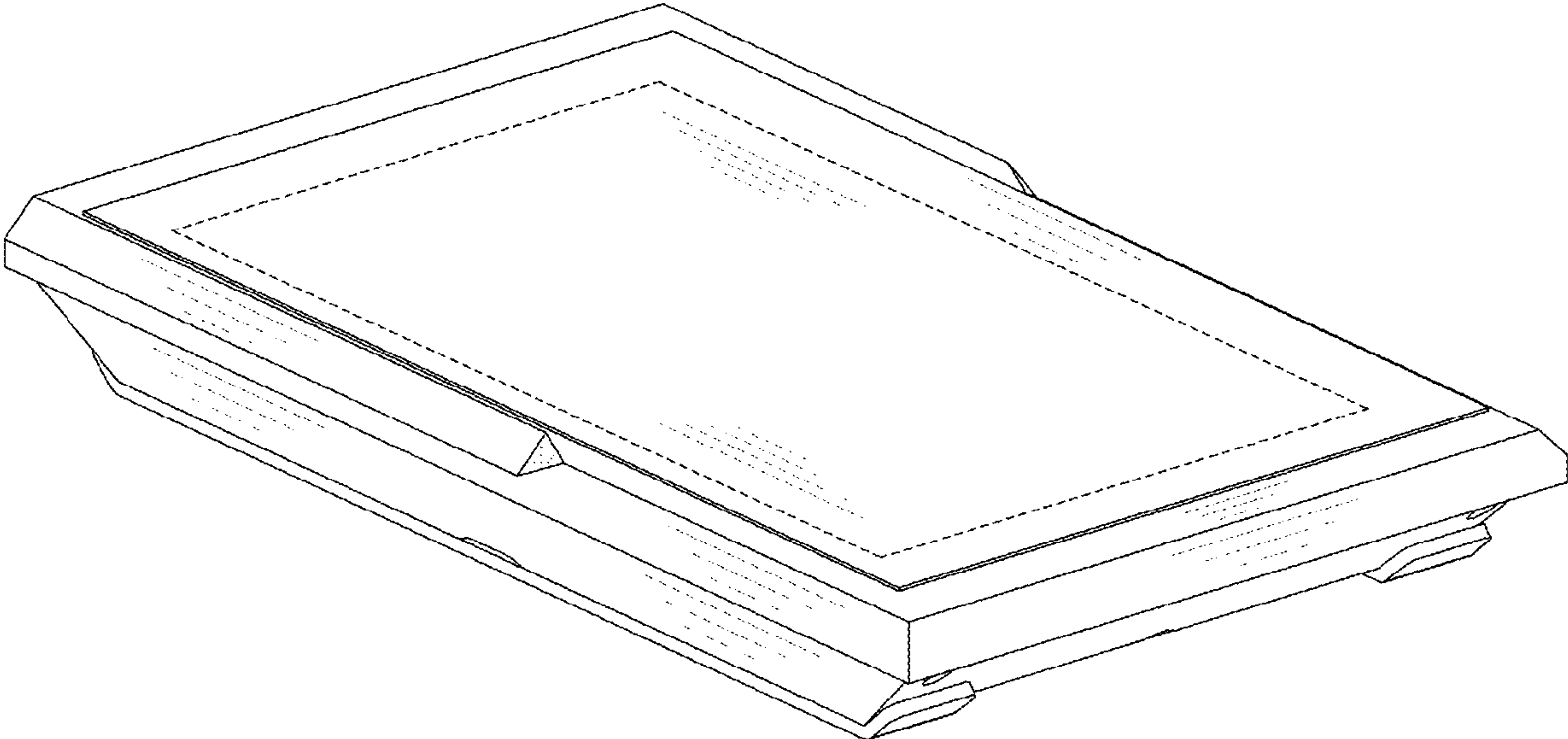


FIG. 1

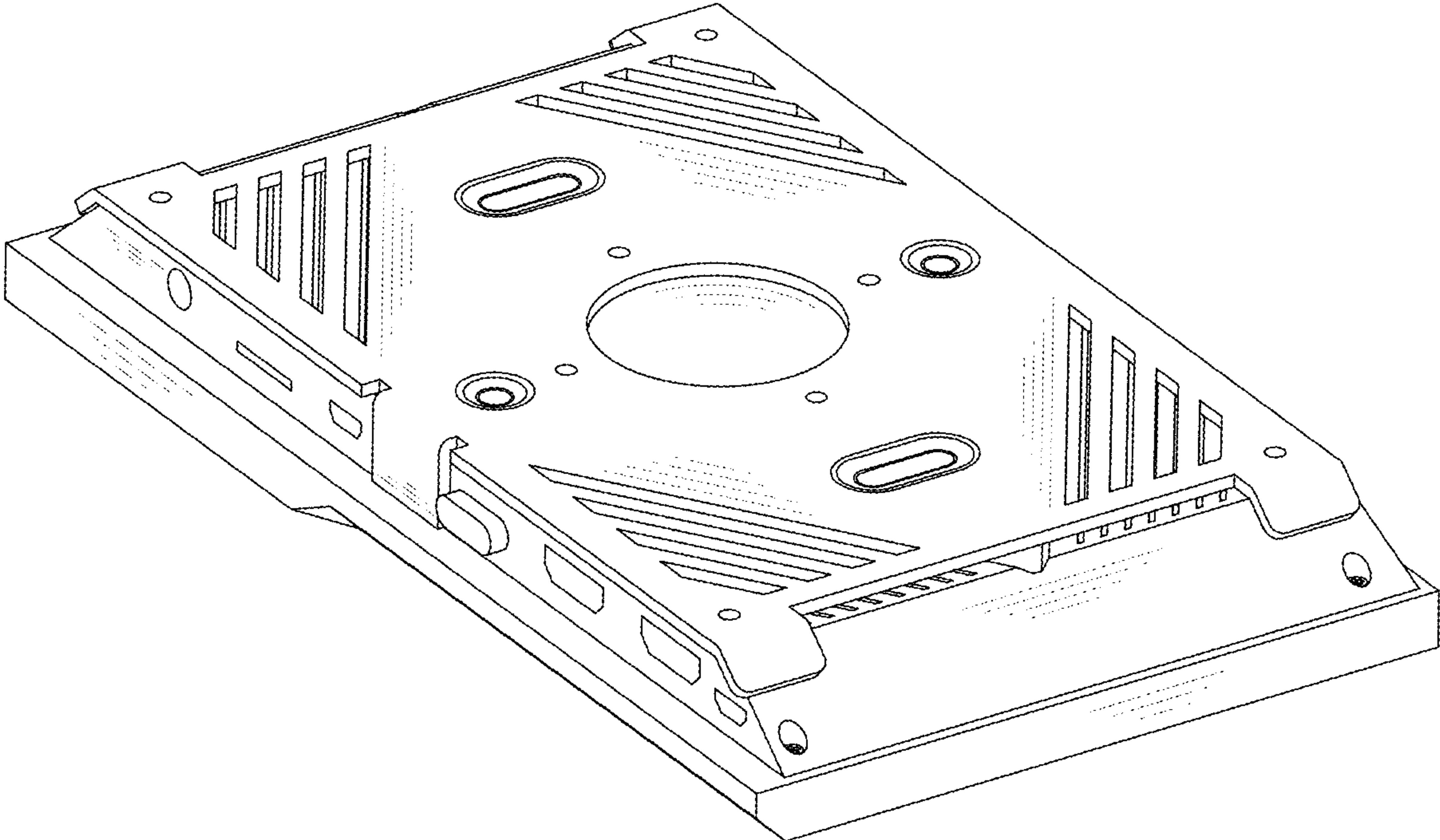


FIG. 2

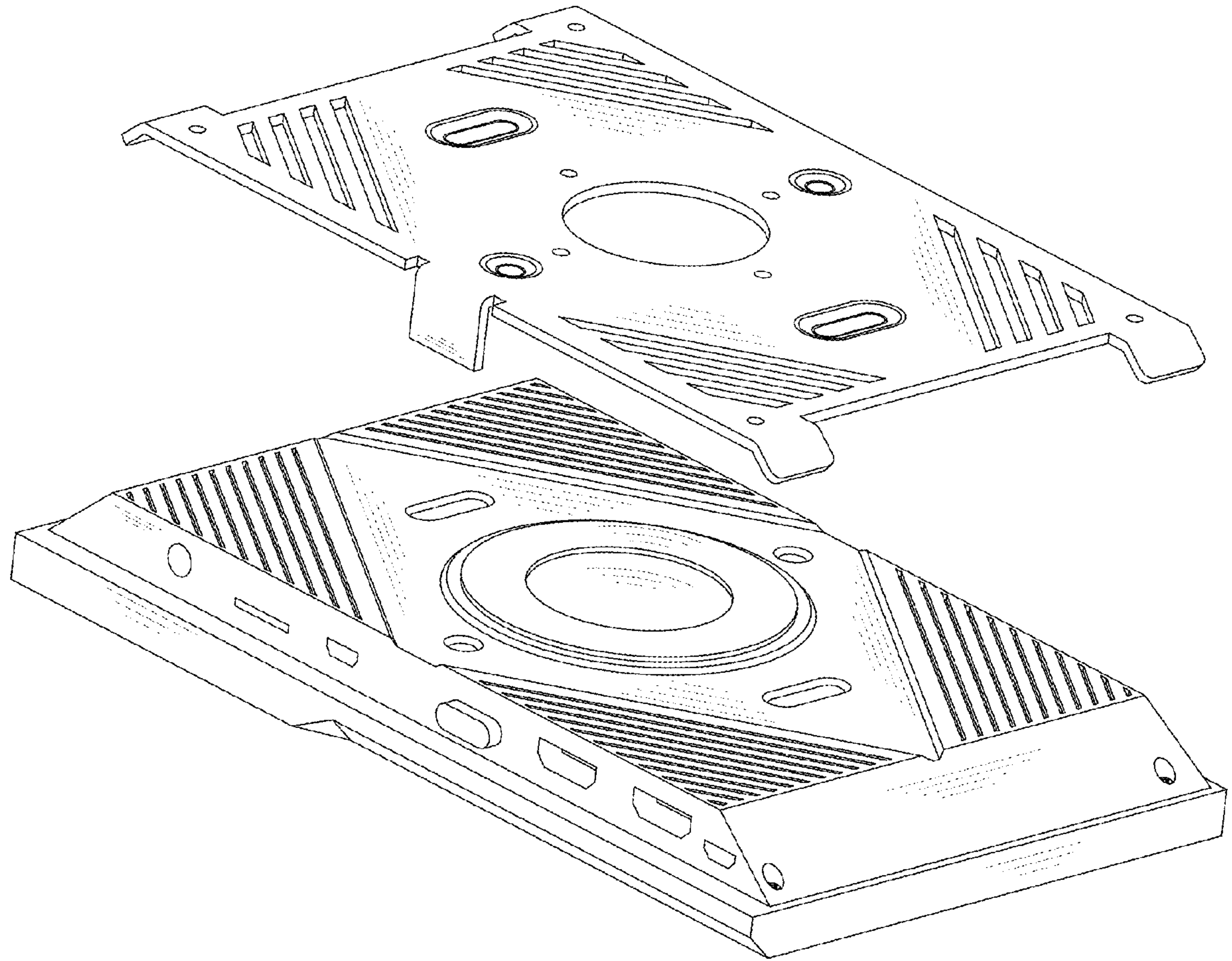


FIG. 3

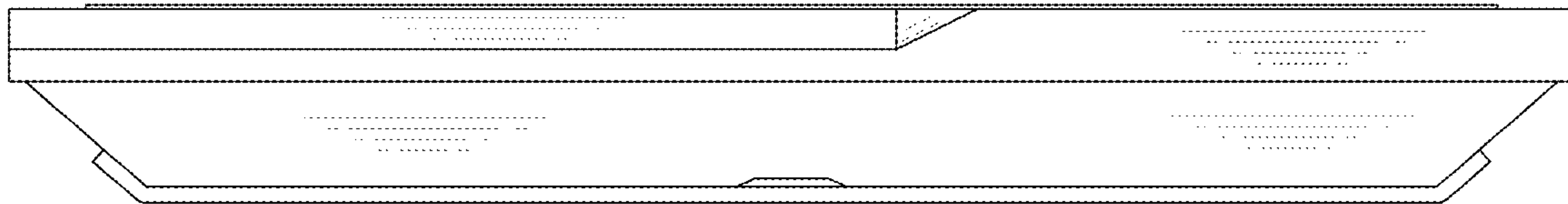


FIG. 4

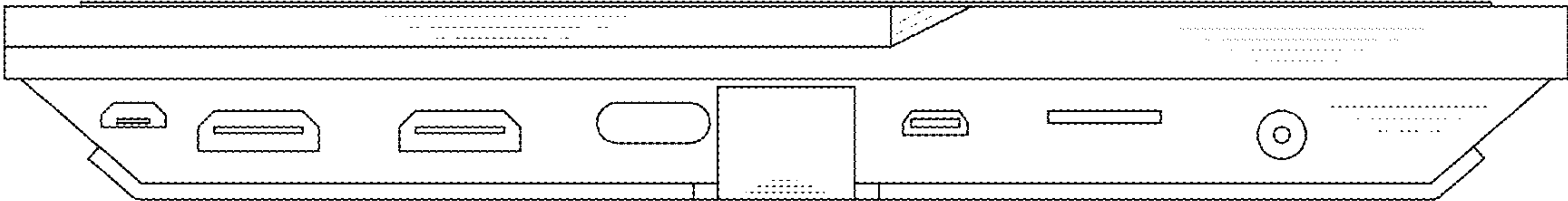


FIG. 5

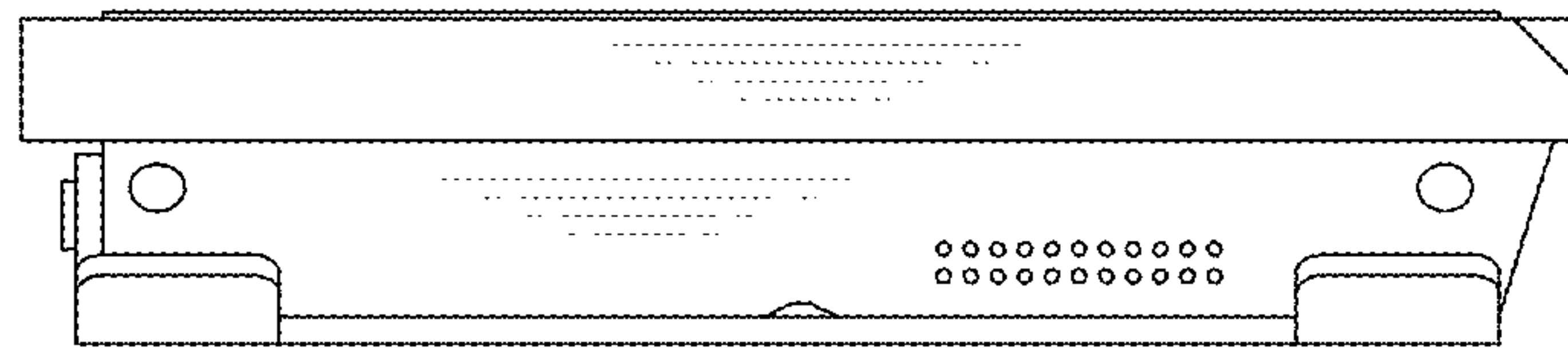


FIG. 6

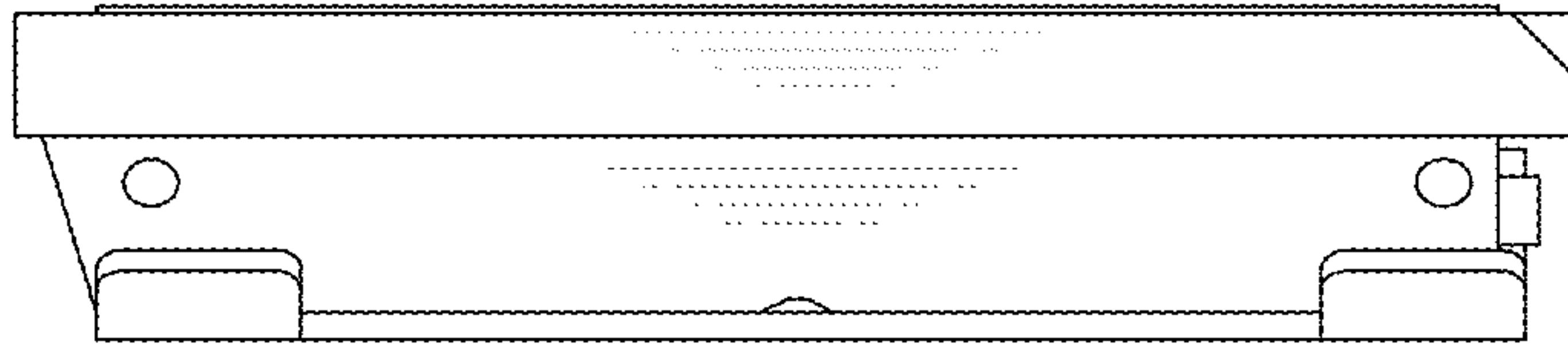


FIG. 7

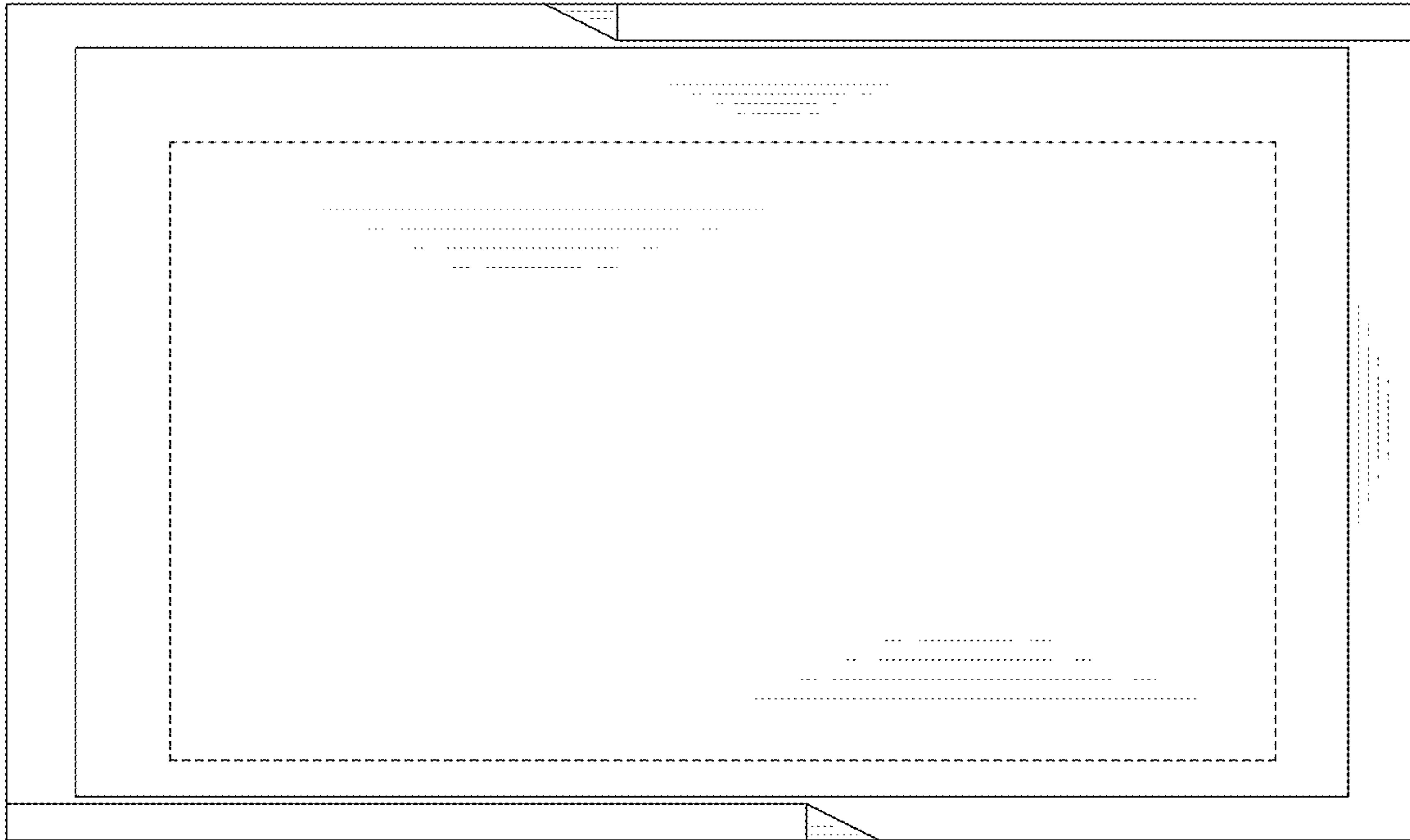


FIG. 8

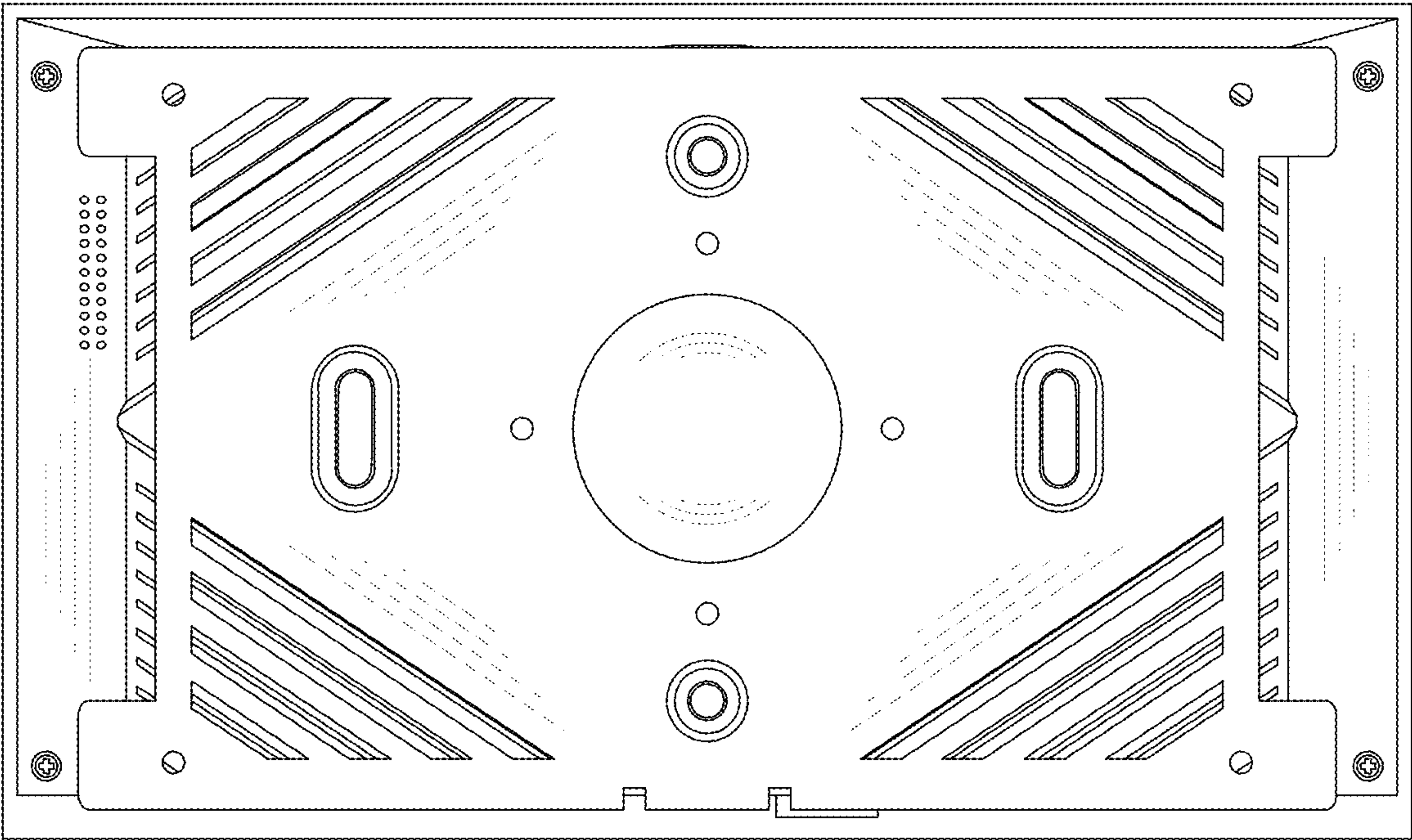


FIG. 9