



US00D971162S

(12) **United States Design Patent** (10) **Patent No.:** **US D971,162 S**
Fujitani et al. (45) **Date of Patent:** **** Nov. 29, 2022**

(54) **OPTICAL FIBER CABLE WITH FEEDTHROUGH**
(71) Applicant: **KOHOKU KOGYO CO., LTD.**, Shiga (JP)
(72) Inventors: **Hirokazu Fujitani**, Shiga (JP); **Ichiro Teramura**, Shiga (JP); **Jun Yamamoto**, Shiga (JP); **Ryuji Hayashi**, Shiga (JP)
(73) Assignee: **KOHOKU KOGYO CO., LTD.**, Shiga (JP)

(**) Term: **15 Years**
(21) Appl. No.: **29/761,856**
(22) Filed: **Dec. 11, 2020**

(30) **Foreign Application Priority Data**
Jul. 15, 2020 (JP) 2020-014529 D
(51) **LOC (13) Cl.** **13-03**
(52) **U.S. Cl.**
USPC **D13/154**
(58) **Field of Classification Search**
USPC D13/101, 118, 133, 147, 153, 154, 165, D13/180, 181, 199; D14/217, 230
CPC C03B 37/028; C03B 37/075; C03B 37/01205; C03B 37/01211; C03B 37/01214; G02B 6/38; G02B 6/255; G02B 6/3616; G02B 5/00; G02B 5/0221; G02B 5/0231; G02B 5/0252; Y10S 117/904; Y10S 117/911
See application file for complete search history.

(56) **References Cited**
U.S. PATENT DOCUMENTS
4,940,307 A * 7/1990 Aberson G02B 6/2555 385/98
5,793,160 A * 8/1998 Losco G03F 7/70016 313/623

D526,625 S 8/2006 Nohara et al.
D558,672 S * 1/2008 Easley D13/133
8,043,013 B2 * 10/2011 Lichoulas G02B 6/3846 385/99
D664,928 S * 8/2012 Yamauchi D13/133
D675,567 S * 2/2013 Hyakutake D13/133
(Continued)

FOREIGN PATENT DOCUMENTS

KR 30-0820776 S 10/2015

OTHER PUBLICATIONS

JPO; Application No. 2020-014529; Notice of Allowance dated Dec. 21, 2020.

(Continued)

Primary Examiner — Derrick E Holland
(74) *Attorney, Agent, or Firm* — Fitch, Even, Tabin & Flannery LLP

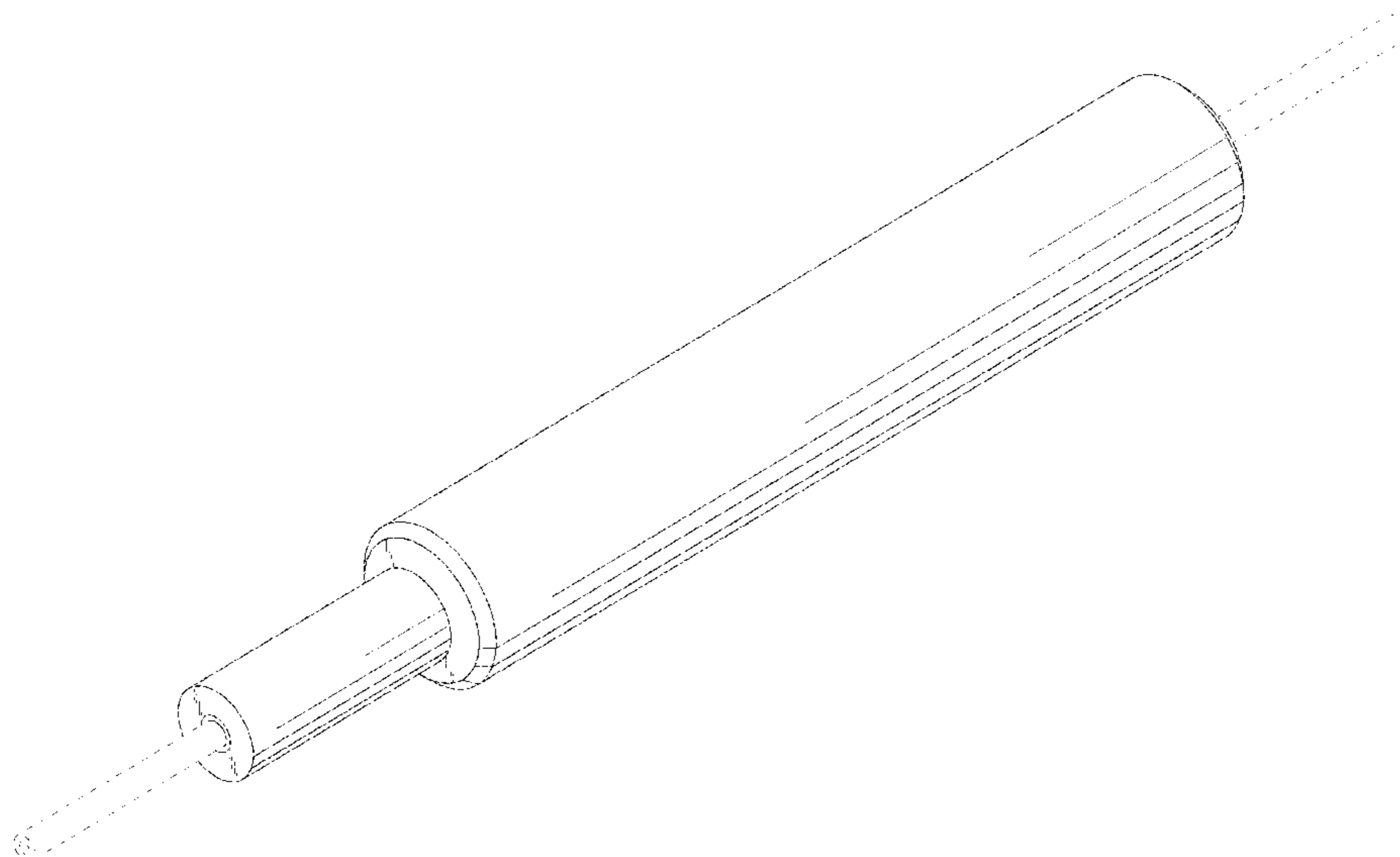
(57) **CLAIM**

We claim the ornamental design for an optical fiber cable with feedthrough, as shown and described.

DESCRIPTION

FIG. 1 is a first top plan view of an optical fiber cable with feedthrough, showing the new design;
FIG. 2 is a second top plan view thereof;
FIG. 3 is a right side elevational view thereof;
FIG. 4 is a left side elevational view thereof;
FIG. 5 is an enlarged view of the portion 5-5;
FIG. 6 is an enlarged perspective view thereof;
FIG. 7 is an enlarged right side view thereof; and,
FIG. 8 is an enlarged left side view thereof.
The dashed broken lines show portions of the optical fiber cable with feedthrough that form no part of the claimed design.

1 Claim, 6 Drawing Sheets



(56)

References Cited

U.S. PATENT DOCUMENTS

D695,223 S * 12/2013 Hyakutake D13/133
D737,217 S * 8/2015 Leidolt D13/153
10,353,154 B2 * 7/2019 Ott G02B 6/381

OTHER PUBLICATIONS

“PM Fibre-Q Polarisation Maintaining Fibre-Coupled Acousto-Optic Modulator,” Gooch&Housego, May 20, 2011, p. 3, Design Division Publicly Known Material No. HC23005312.

* cited by examiner

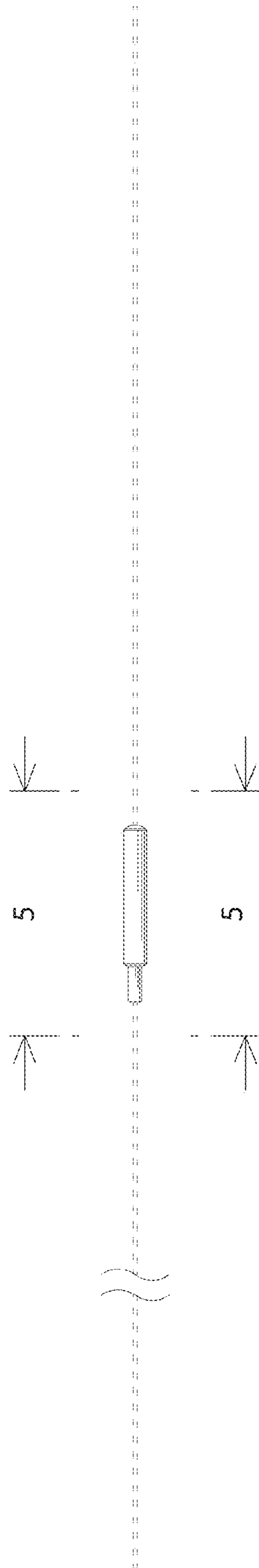


FIG. 1

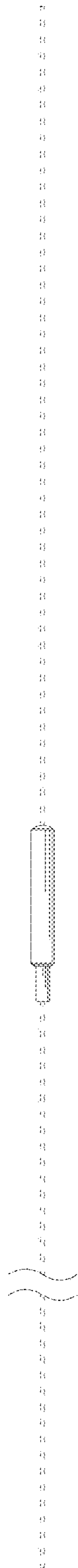


FIG. 2



FIG. 3



FIG. 4

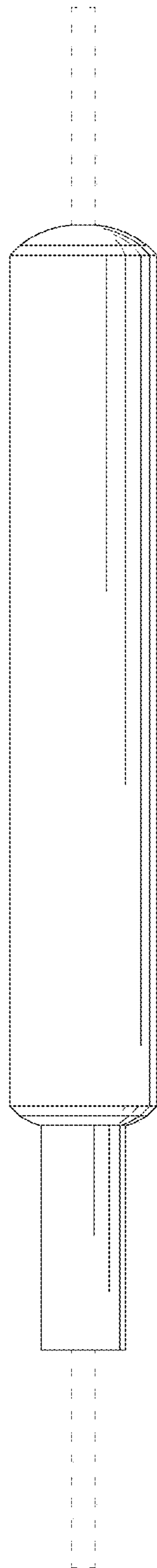


FIG. 5

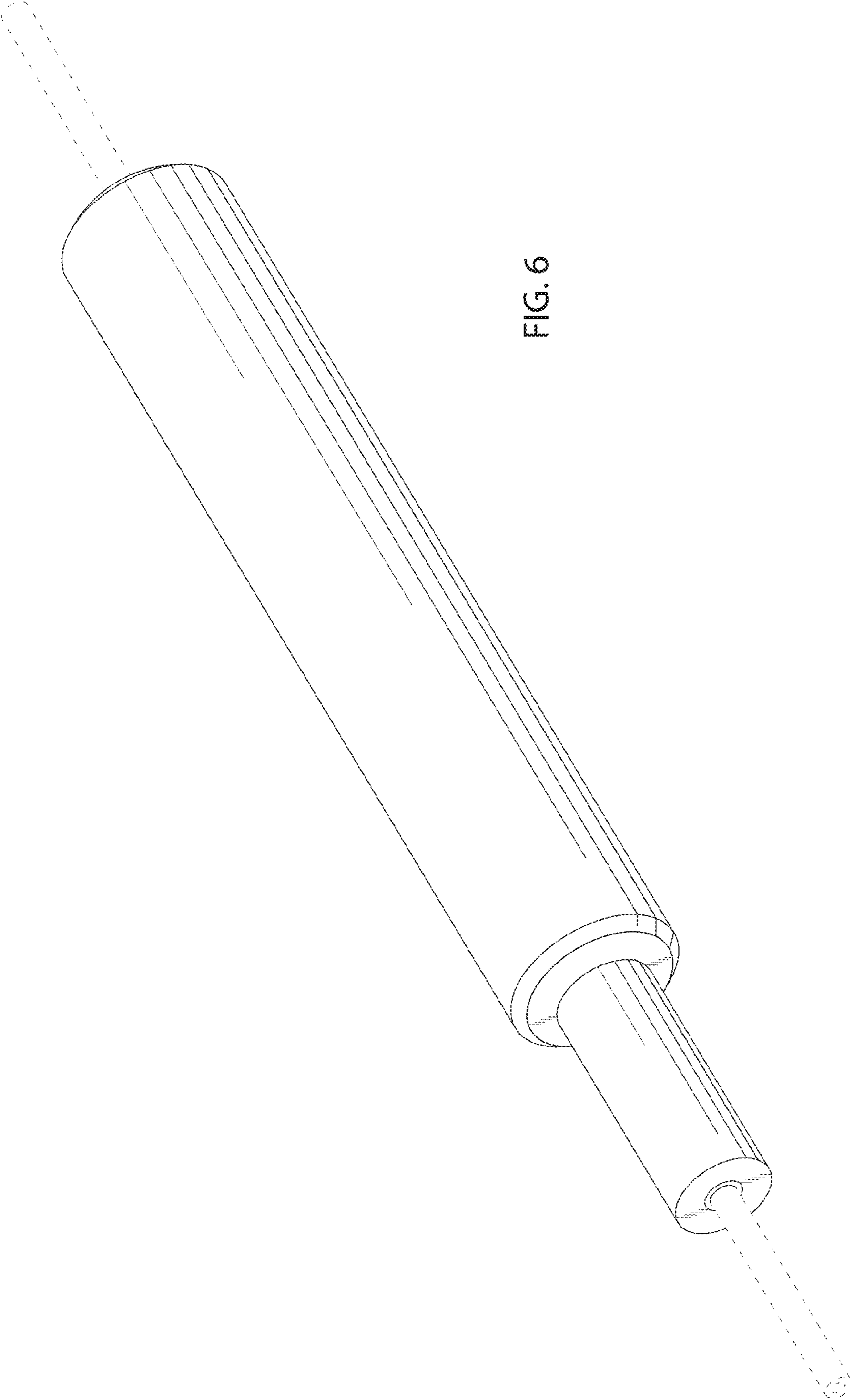


FIG. 6

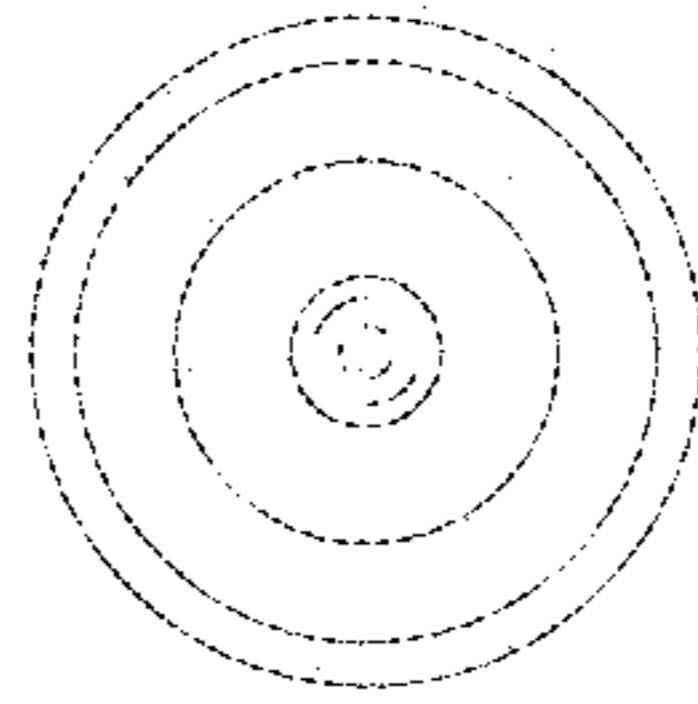


FIG. 8

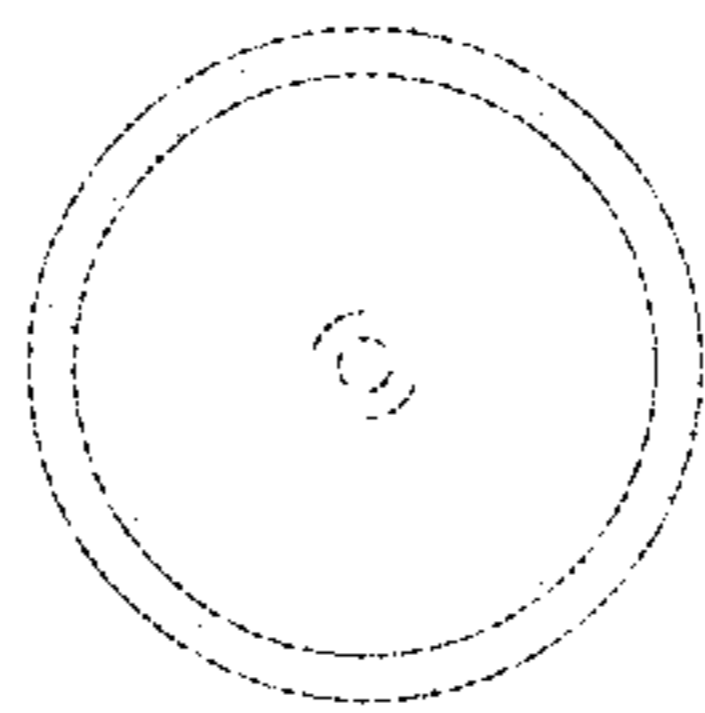


FIG. 7