



US00D971160S

(12) **United States Design Patent** (10) **Patent No.:** **US D971,160 S**
Erni (45) **Date of Patent:** **** Nov. 29, 2022**

(54) **FEMALE ELECTRIC VEHICLE CHARGING CONNECTOR**

(71) Applicant: **Juice Technology AG**, Cham (CH)

(72) Inventor: **Christoph Erni**, Winkel (CH)

(73) Assignee: **JUICE TECHNOLOGY AG**, Cham (CH)

(**) Term: **15 Years**

(21) Appl. No.: **29/749,360**

(22) Filed: **Sep. 4, 2020**

(51) **LOC (13) Cl.** **13-03**

(52) **U.S. Cl.**
USPC **D13/146**

(58) **Field of Classification Search**
USPC D13/101, 107, 118, 123, 133, 146, 147, D13/149, 153-155, 173, 184, 199
CPC ... G02B 6/38; G02B 6/00; G02B 6/36; G02B 6/44; H01R 13/40; H01R 13/58; H01R 13/627; H01R 24/00; H01R 31/06; H01R 9/05; H01R 13/44; H01R 13/622; H01R 13/66

See application file for complete search history.

(56) **References Cited**

U.S. PATENT DOCUMENTS

D233,991 S * 12/1974 Smith D13/151
D462,060 S * 8/2002 Fox D13/154
D515,037 S * 2/2006 Fox D13/151
D527,346 S * 8/2006 Brodin D13/146
7,309,255 B2 * 12/2007 Rodrigues H01R 13/5812
439/321
D577,681 S * 9/2008 Amidon D13/133
D694,189 S * 11/2013 Ledinger D13/146
9,395,499 B2 * 7/2016 Huang G02B 6/3851
D769,822 S * 10/2016 Reynolds D13/146

D782,419 S * 3/2017 Willette D13/134
D816,040 S * 4/2018 Corona D13/149
2005/0239311 A1 * 10/2005 Yokoigawa H01R 13/622
439/311
2005/0250365 A1 * 11/2005 Starke H01R 13/622
439/320
2006/0051999 A1 * 3/2006 Allemann H01R 13/622
439/320
2009/0103876 A1 * 4/2009 Kluwe H02G 15/013
385/134
2009/0103877 A1 * 4/2009 Kluwe H02G 15/076
385/134
2015/0194765 A1 * 7/2015 Yu H01R 29/00
439/372
2017/0179638 A1 * 6/2017 Yu H01R 13/6277
2017/0217403 A1 * 8/2017 Kim H02J 7/0036

FOREIGN PATENT DOCUMENTS

EP 644625 A2 * 3/1995 B60L 3/12
JP 06310214 A * 11/1994 H01R 13/4538

* cited by examiner

Primary Examiner — Shawn T Gingrich

(74) *Attorney, Agent, or Firm* — Tarter Krinsky & Drogin LLP

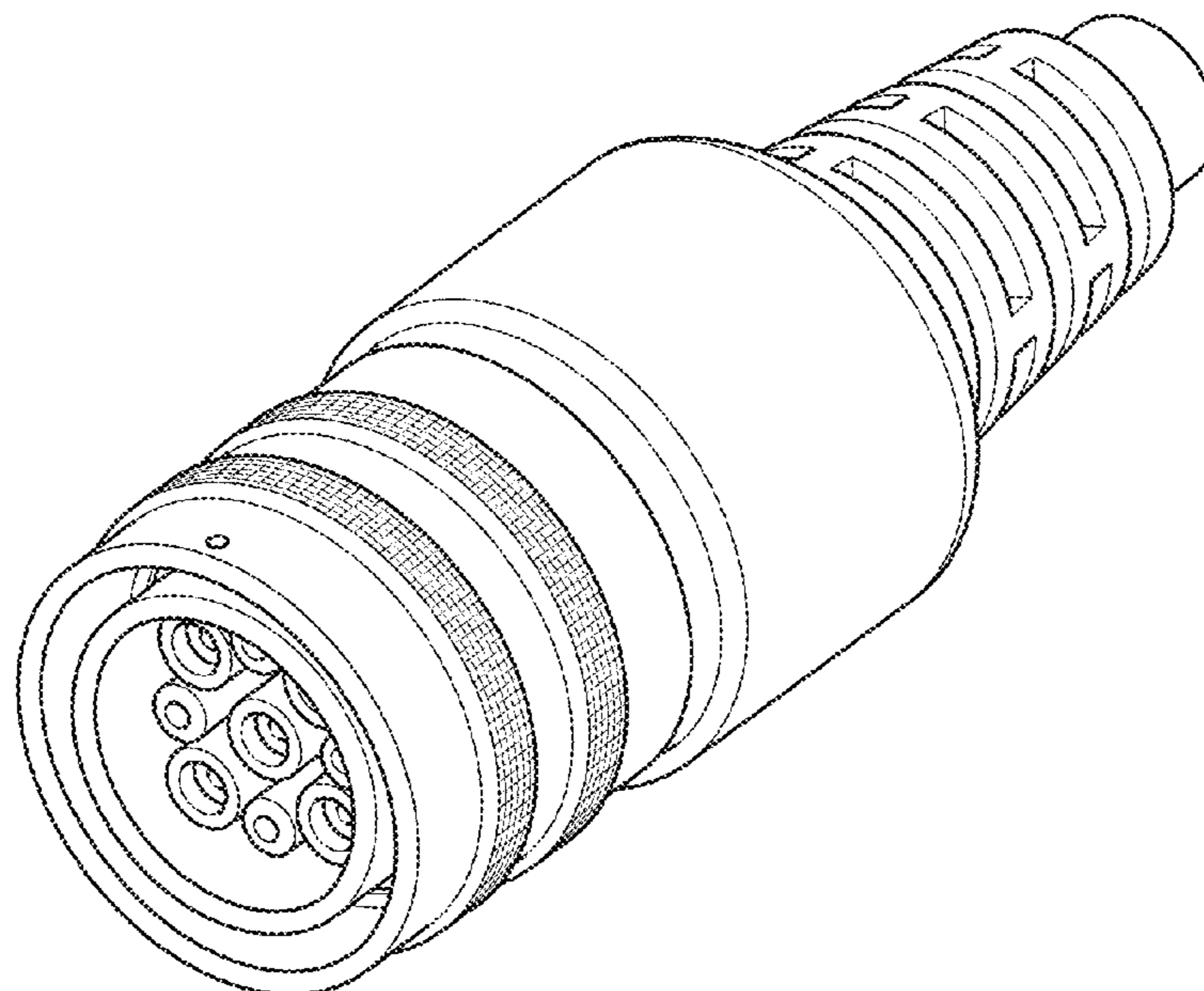
(57) **CLAIM**

The ornamental design for a female electric vehicle charging connector, as shown and described.

DESCRIPTION

FIG. 1 is a front perspective view of a female electric vehicle charging connector, showing the new design;
FIG. 2 is a front perspective view thereof;
FIG. 3 is a side perspective view thereof;
FIG. 4 is a rear perspective view thereof;
FIG. 5 is an opposite side perspective view thereof; and,
FIG. 6 is a side view thereof.

1 Claim, 6 Drawing Sheets



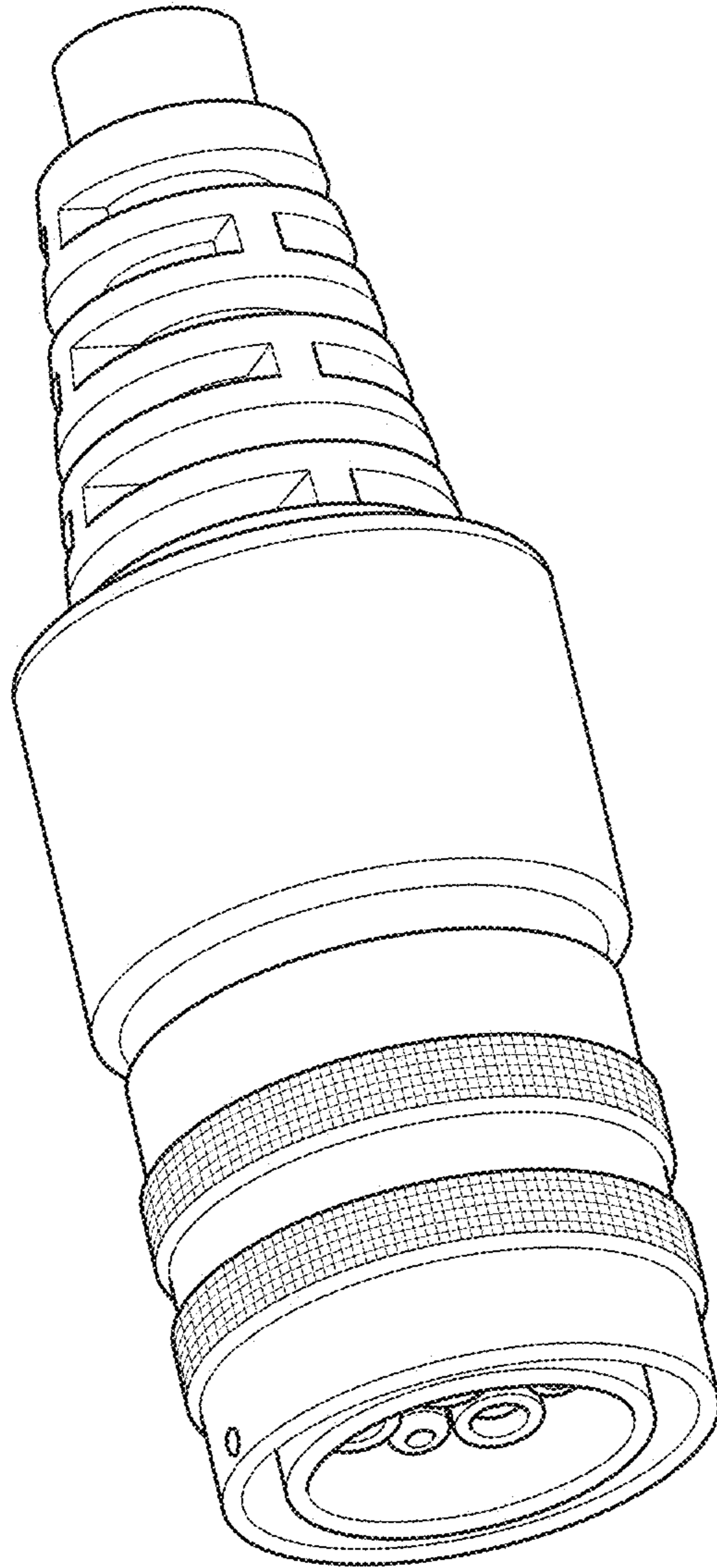


FIG. 1

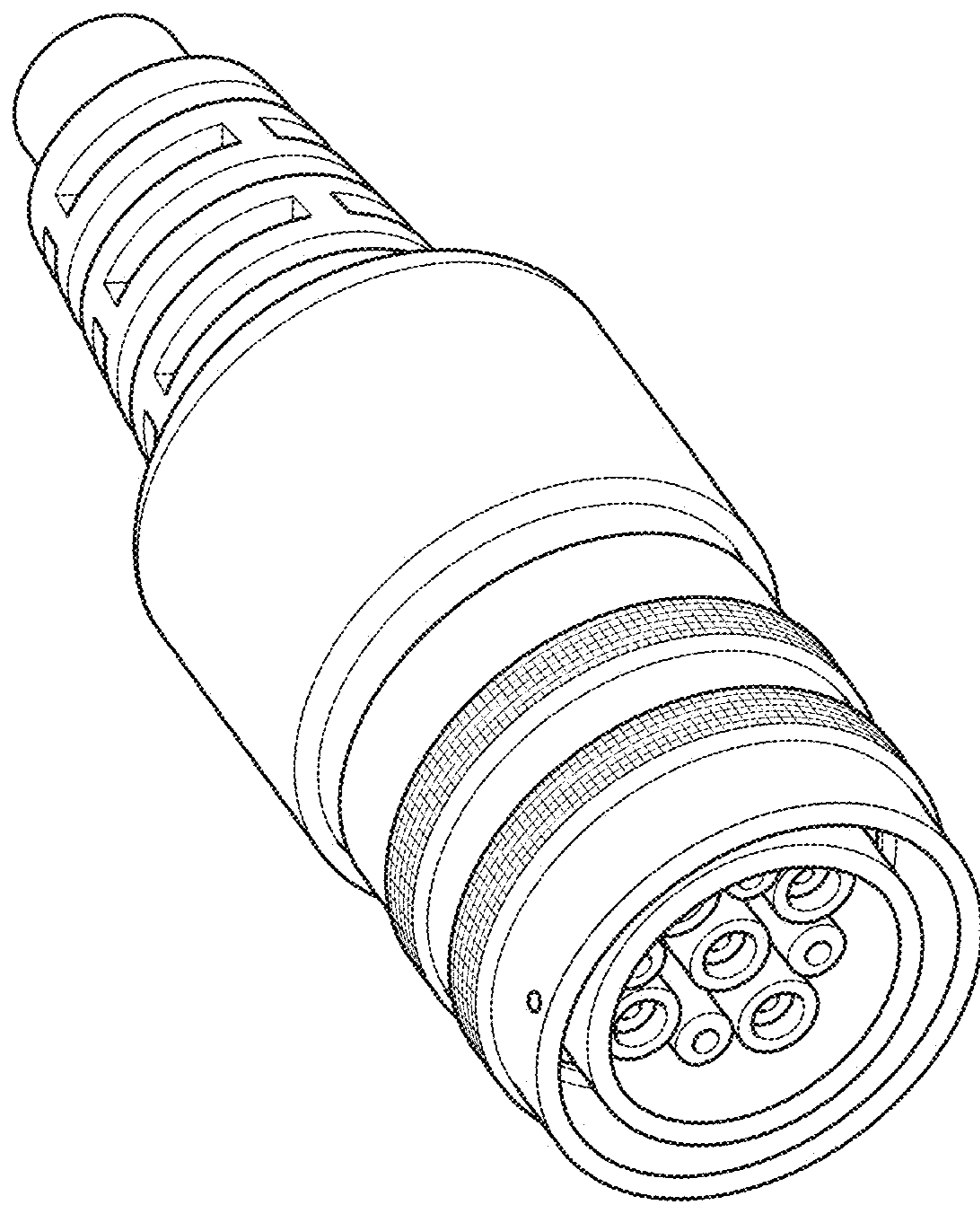


FIG. 2

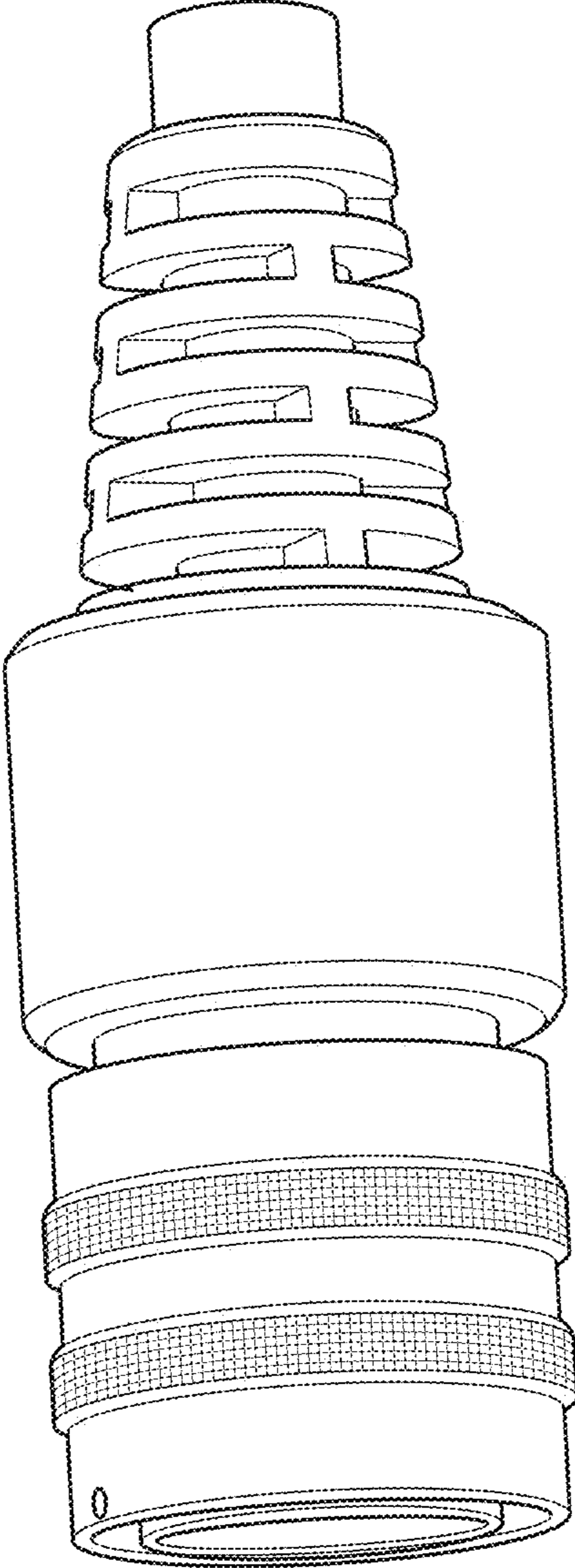


FIG. 3

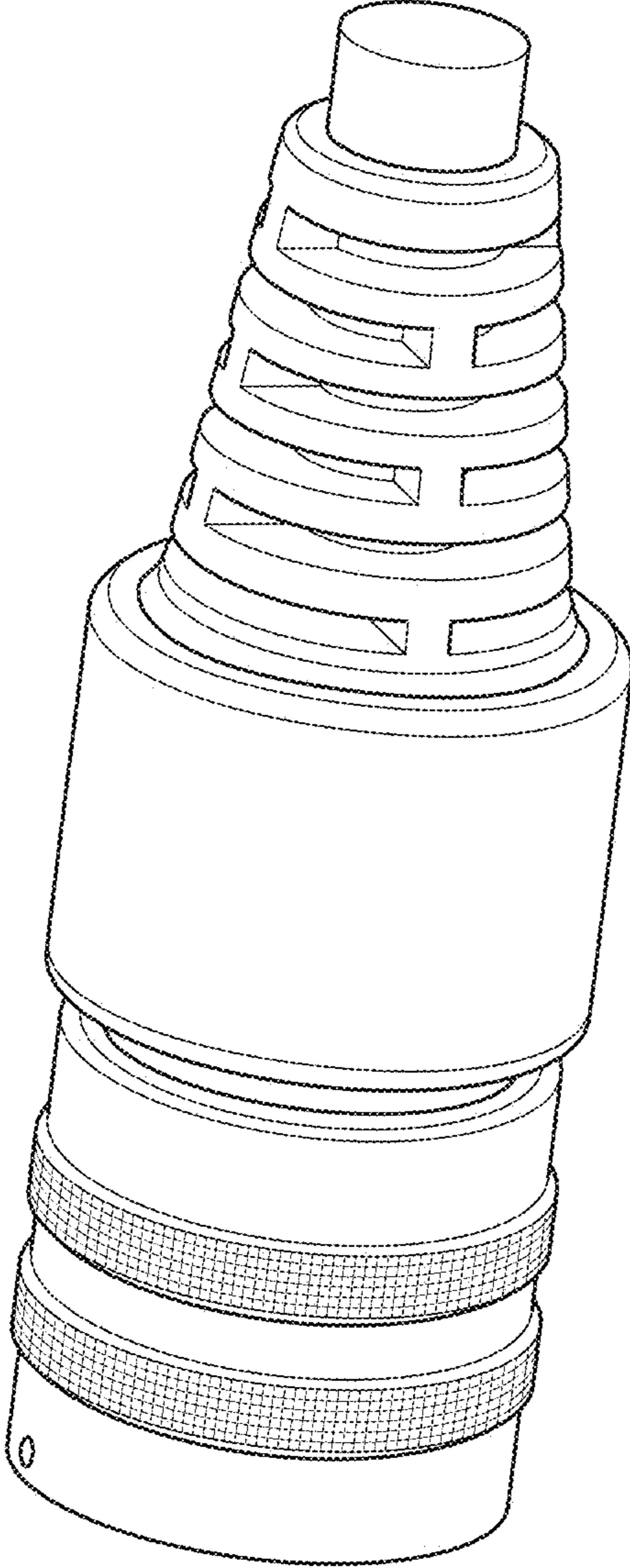


FIG. 4

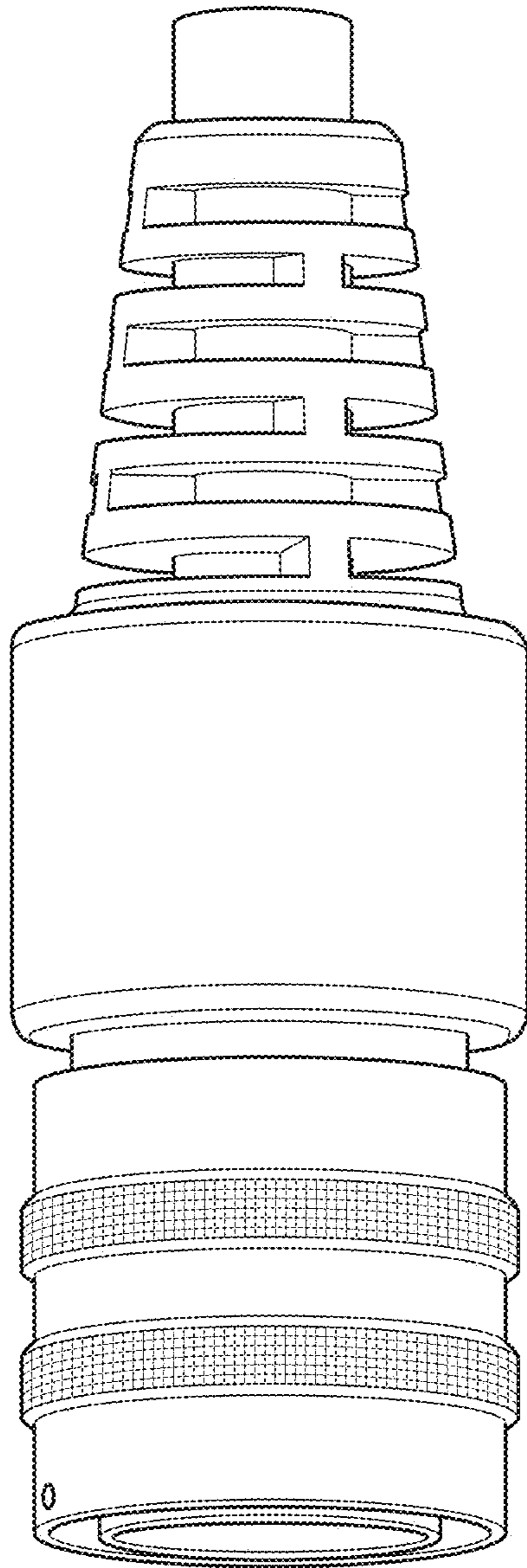


FIG. 5

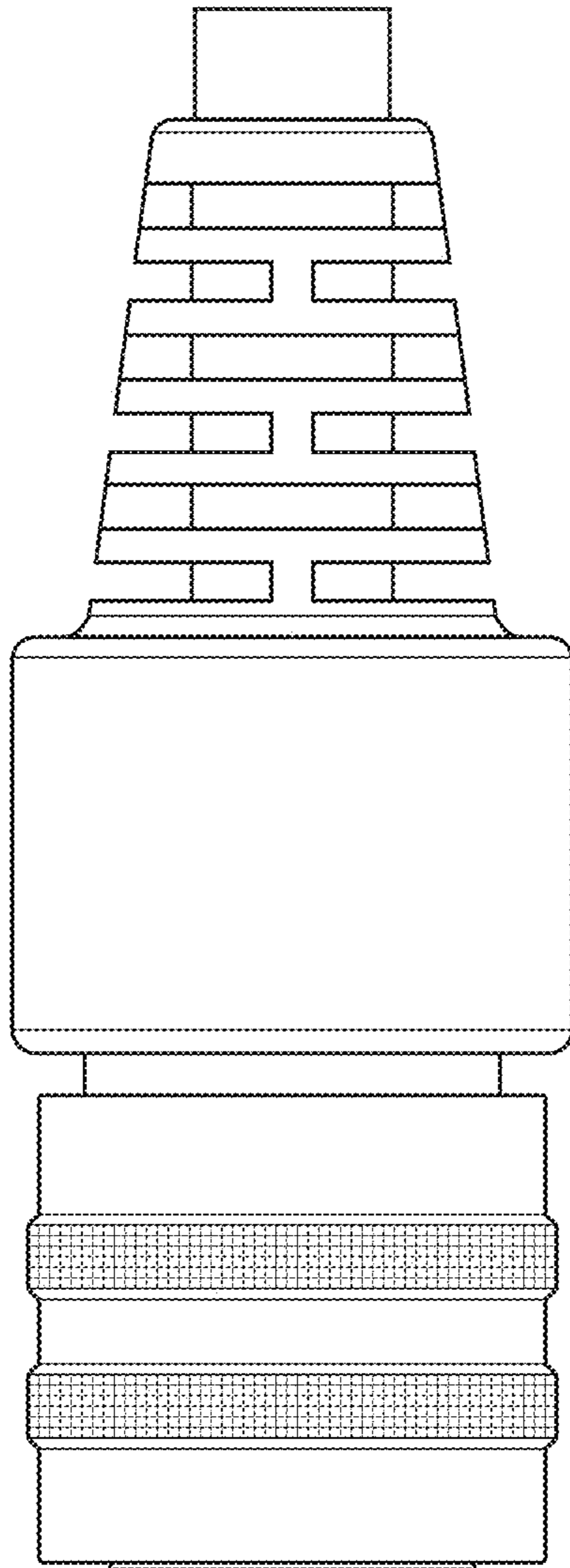


FIG. 6