



US00D971159S

(12) **United States Design Patent** (10) **Patent No.:** **US D971,159 S**  
**Erni** (45) **Date of Patent:** **\*\* Nov. 29, 2022**

(54) **MALE ELECTRIC VEHICLE CHARGING CONNECTOR**

(71) Applicant: **Juice Technology AG**, Cham (CH)

(72) Inventor: **Christoph Erni**, Winkel (CH)

(73) Assignee: **JUICE TECHNOLOGY AG**, Cham (CH)

(\*\*) Term: **15 Years**

(21) Appl. No.: **29/749,359**

(22) Filed: **Sep. 4, 2020**

(51) **LOC (13) Cl.** ..... **13-03**

(52) **U.S. Cl.**  
USPC ..... **D13/146**

(58) **Field of Classification Search**  
USPC ..... D13/101, 107, 118, 123, 133, 146, 147, D13/149, 153–155, 173, 184, 199  
CPC ... G02B 6/38; G02B 6/00; G02B 6/36; G02B 6/44; H01R 13/40; H01R 13/58; H01R 13/627; H01R 24/00; H01R 31/06; H01R 9/05; H01R 13/44; H01R 13/622; H01R 13/66

See application file for complete search history.

(56) **References Cited**

U.S. PATENT DOCUMENTS

D233,991 S *	12/1974	Smith	.....	D13/151
D462,060 S *	8/2002	Fox	.....	D13/154
D515,037 S *	2/2006	Fox	.....	D13/151
D527,346 S *	8/2006	Brodin	.....	D13/146
7,309,255 B2 *	12/2007	Rodrigues	.....	H01R 13/5812 439/321
D577,681 S *	9/2008	Amidon	.....	D13/133
D694,189 S *	11/2013	Ledinger	.....	D13/146
9,395,499 B2 *	7/2016	Huang	.....	G02B 6/3851
D769,822 S *	10/2016	Reynolds	.....	D13/146

D782,419 S *	3/2017	Willette	.....	D13/134
D816,040 S *	4/2018	Corona	.....	D13/149
2005/0239311 A1 *	10/2005	Yokoigawa	.....	H01R 13/622 439/311
2005/0250365 A1 *	11/2005	Starke	.....	H01R 13/622 439/320
2006/0051999 A1 *	3/2006	Allemann	.....	H01R 13/622 439/320
2009/0103876 A1 *	4/2009	Kluwe	.....	H02G 15/013 385/134
2009/0103877 A1 *	4/2009	Kluwe	.....	H02G 15/076 385/134
2015/0194765 A1 *	7/2015	Yu	.....	H01R 29/00 439/372
2017/0179638 A1 *	6/2017	Yu	.....	H01R 13/6277
2017/0217403 A1 *	8/2017	Kim	.....	H02J 7/0036

FOREIGN PATENT DOCUMENTS

EP	644625 A2 *	3/1995	.....	B60L 3/12
JP	06310214 A *	11/1994	.....	H01R 13/4538

\* cited by examiner

*Primary Examiner* — Shawn T Gingrich

(74) *Attorney, Agent, or Firm* — Tarter Krinsky & Drogin LLP

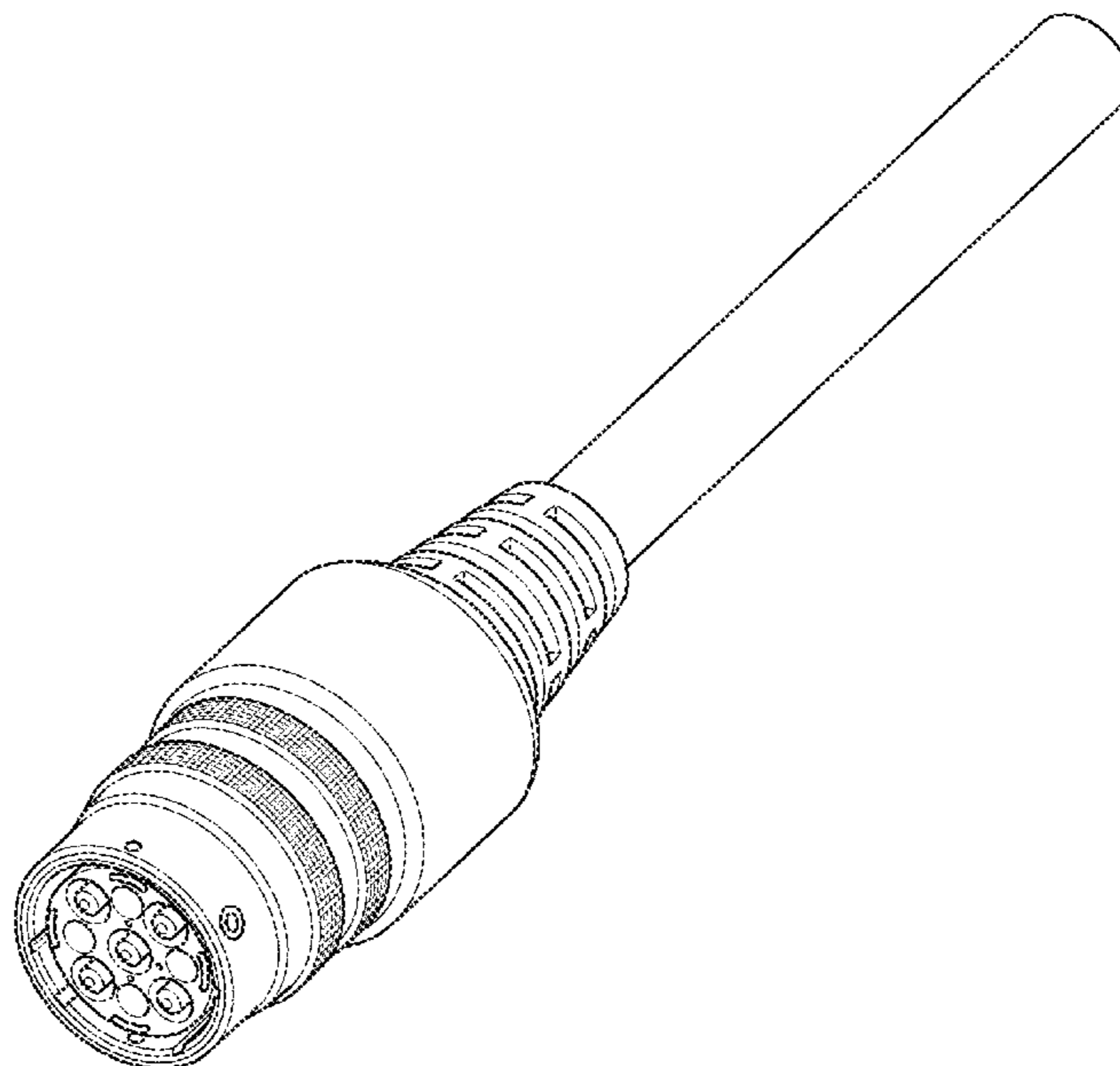
(57) **CLAIM**

The ornamental design for a male electric vehicle charging connector, as shown and described.

**DESCRIPTION**

FIG. 1 is a lateral perspective view of a male electric vehicle charging connector, showing the new design; FIG. 2 is a front perspective view thereof; FIG. 3 is a side perspective view thereof; FIG. 4 is a rear perspective view thereof; FIG. 5 is another side perspective view thereof; and, FIG. 6 is a side view thereof.

**1 Claim, 6 Drawing Sheets**



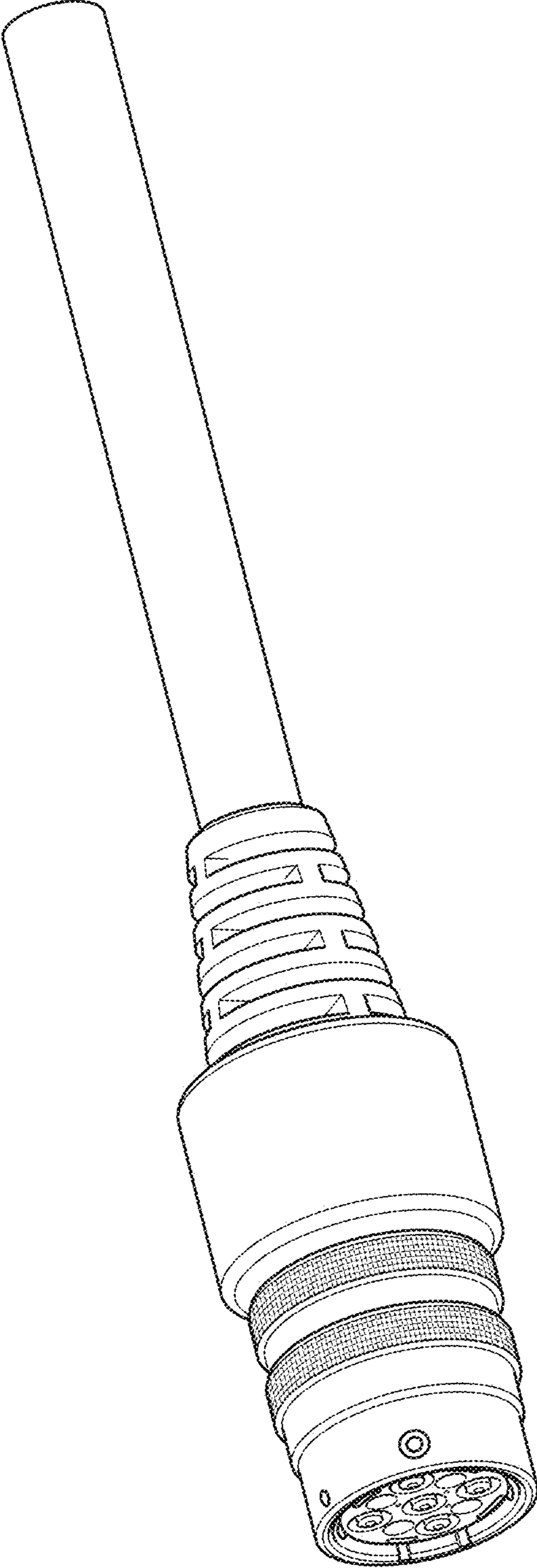


FIG. 1

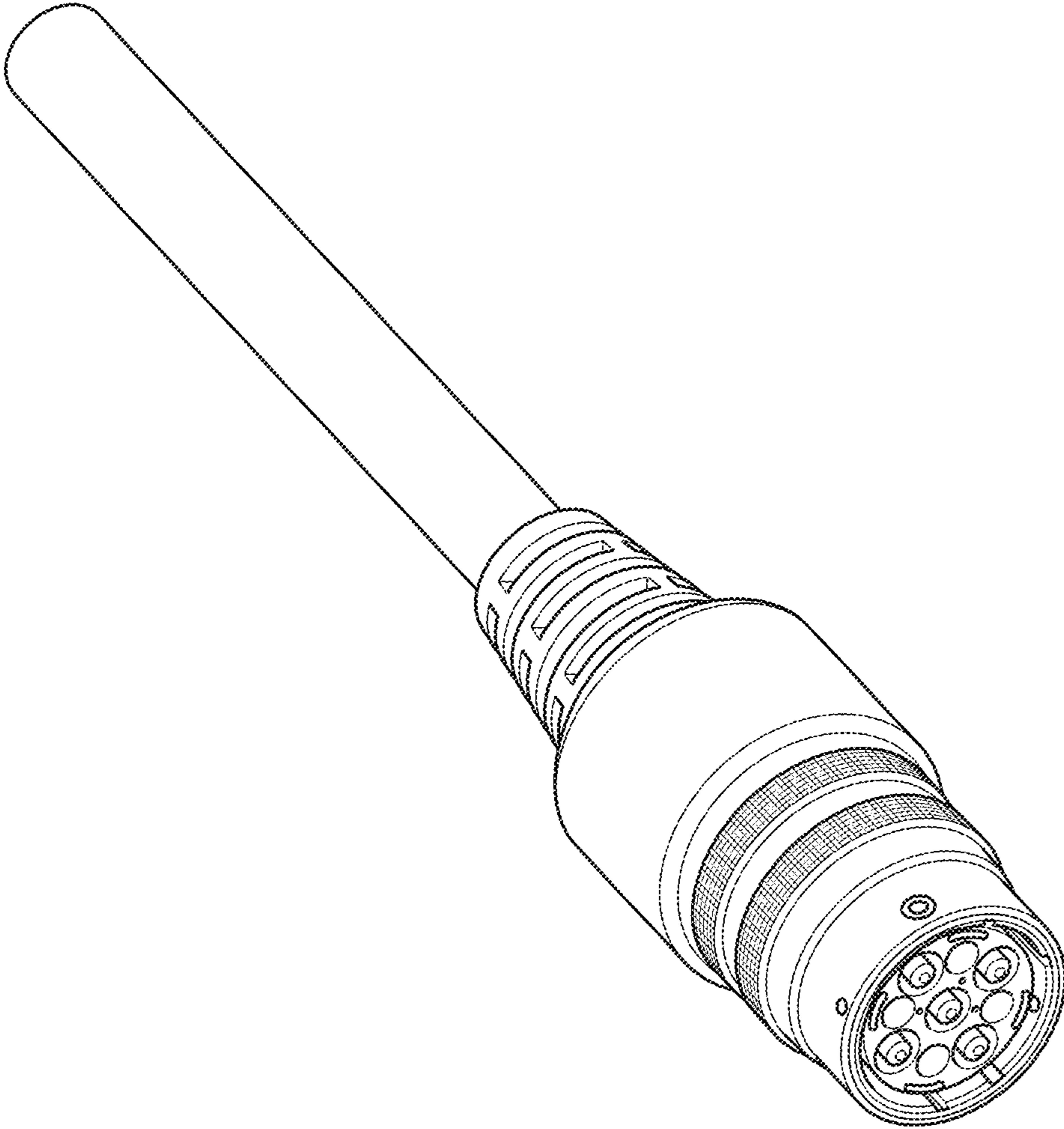


FIG. 2

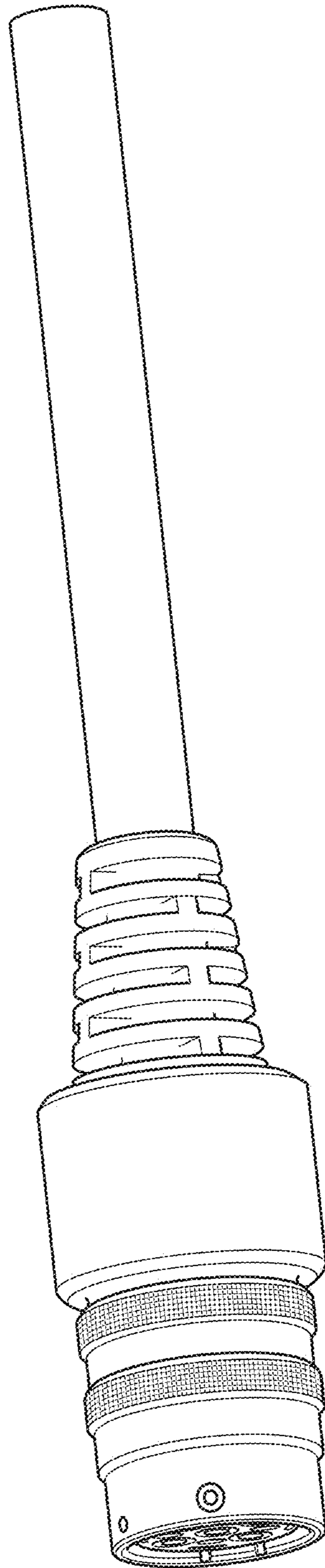


FIG. 3

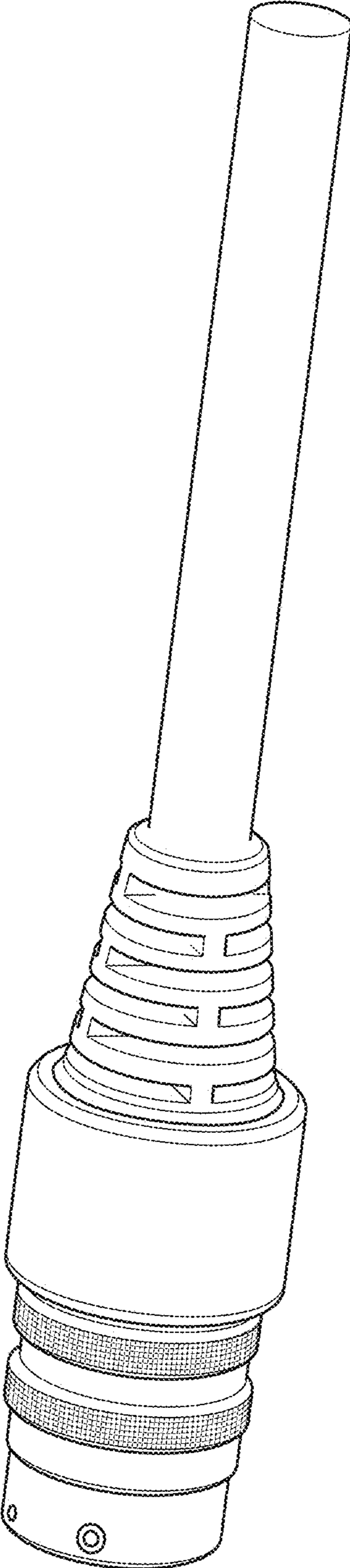


FIG. 4



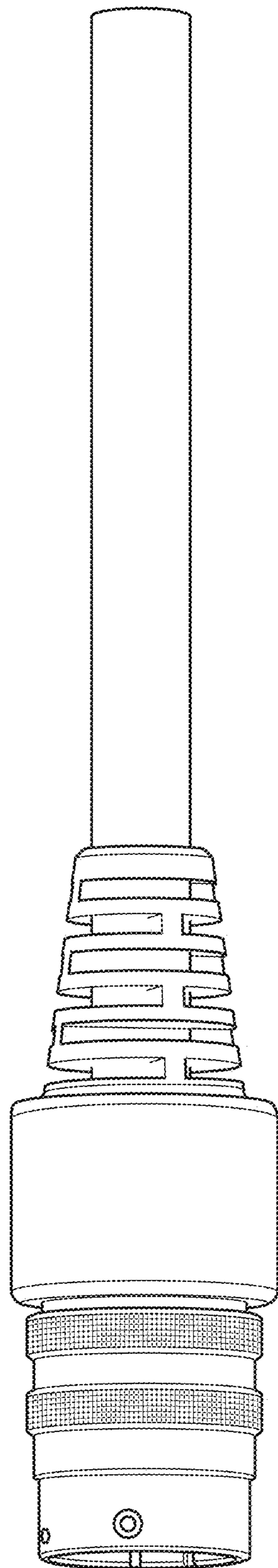


FIG. 5

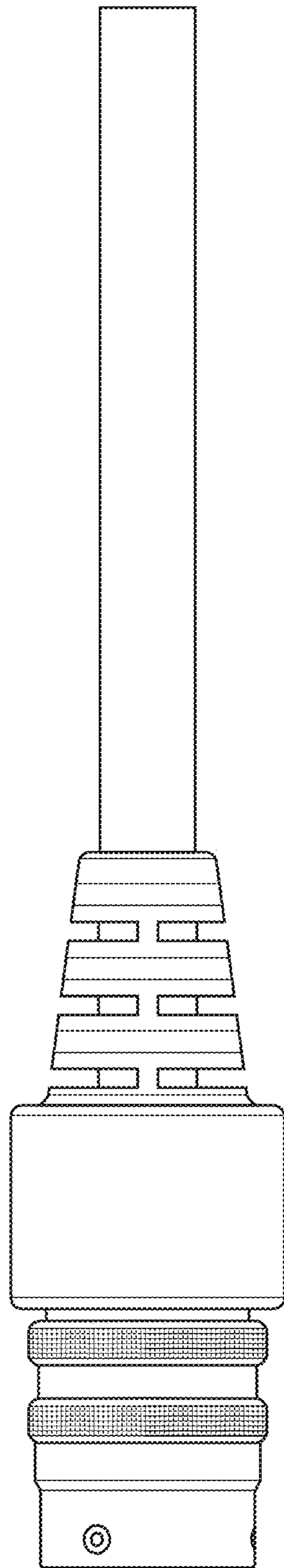


FIG. 6