

US00D971153S

(12) **United States Design Patent** (10) **Patent No.:** **US D971,153 S**
Chang et al. (45) **Date of Patent:** **** Nov. 29, 2022**

(54) **SURGE PROTECTOR**

FOREIGN PATENT DOCUMENTS

(71) Applicant: **SCHNEIDER ELECTRIC IT CORPORATION**, Foxboro, MA (US)

CN 303959040 12/2016
EM 003442300-0001 10/2016

(Continued)

(72) Inventors: **Yi-Ching Chang**, New Taipei (TW);
Chung-Hui Chen, New Taipei (TW);
Zeqian Li, Shanghai (CN)

OTHER PUBLICATIONS

(73) Assignee: **SCHNEIDER ELECTRIC IT CORPORATION**, Foxboro, MA (US)

iBlockCube 5M extension lead surge protected power strip outlet w/ 4 USB Ports & Switch. Amazon. Oldest review date: Dec. 30, 2018. Retrieval date: Mar. 22, 2022. Retrieved from internet: <https://www.amazon.co.uk/Extension-Universal-Outlets-Power-Lenght-UK-Plug-White-Grey-5M-Cord/dp/B07JVQP3TG> (Year: 2018).*

(Continued)

(**) Term: **15 Years**

(21) Appl. No.: **29/790,738**

(22) Filed: **Dec. 13, 2021**

Primary Examiner — Mary Shannon Malley

Assistant Examiner — Lee D. Starr

(74) *Attorney, Agent, or Firm* — Lando & Anastasi, LLP

Related U.S. Application Data

(62) Division of application No. 29/698,528, filed on Jul. 17, 2019, now Pat. No. Des. 938,360.

(51) **LOC (13) Cl.** **13-03**

(52) **U.S. Cl.**
USPC **D13/137.2; D13/139.8**

(57) **CLAIM**

The ornamental design for a surge protector, as shown and described.

(58) **Field of Classification Search**

USPC D13/137.1–137.4, 138.1, 138.2,
D13/139.1–139.8, 154, 158, 171, 173,
D13/174, 184, 107, 108, 110
CPC .. H01R 13/639; H01R 13/6392; H01R 13/64;
H01R 13/642; H01R 13/648; H01R
13/652; H01R 13/66; H01R 13/6666;
H01R 13/6683; H01R 13/68; H01R
13/713; H01R 24/20; H01R 24/22; H01R
24/28; H01R 24/30; H01R 2103/00;
H01R 25/00; H01R

DESCRIPTION

FIG. 1 is a top perspective view of a surge protector;
FIG. 2 is a bottom perspective view thereof;
FIG. 3 is a top plan view thereof;
FIG. 4 is a bottom plan view thereof;
FIG. 5 is a right side elevational view thereof;
FIG. 6 is a left side elevational view thereof;
FIG. 7 is a front elevational view thereof; and,
FIG. 8 is a back elevational view thereof.

The dash-dash broken lines shown in the drawing figures depict portions of the surge protector that form no part of the claimed design. The surge protector is shown with dot-dot-dash broken lines indicating a symbolic break in its length. The appearance of any portion of the article between the dot-dot-dash broken lines forms no part of the claimed design.

(Continued)

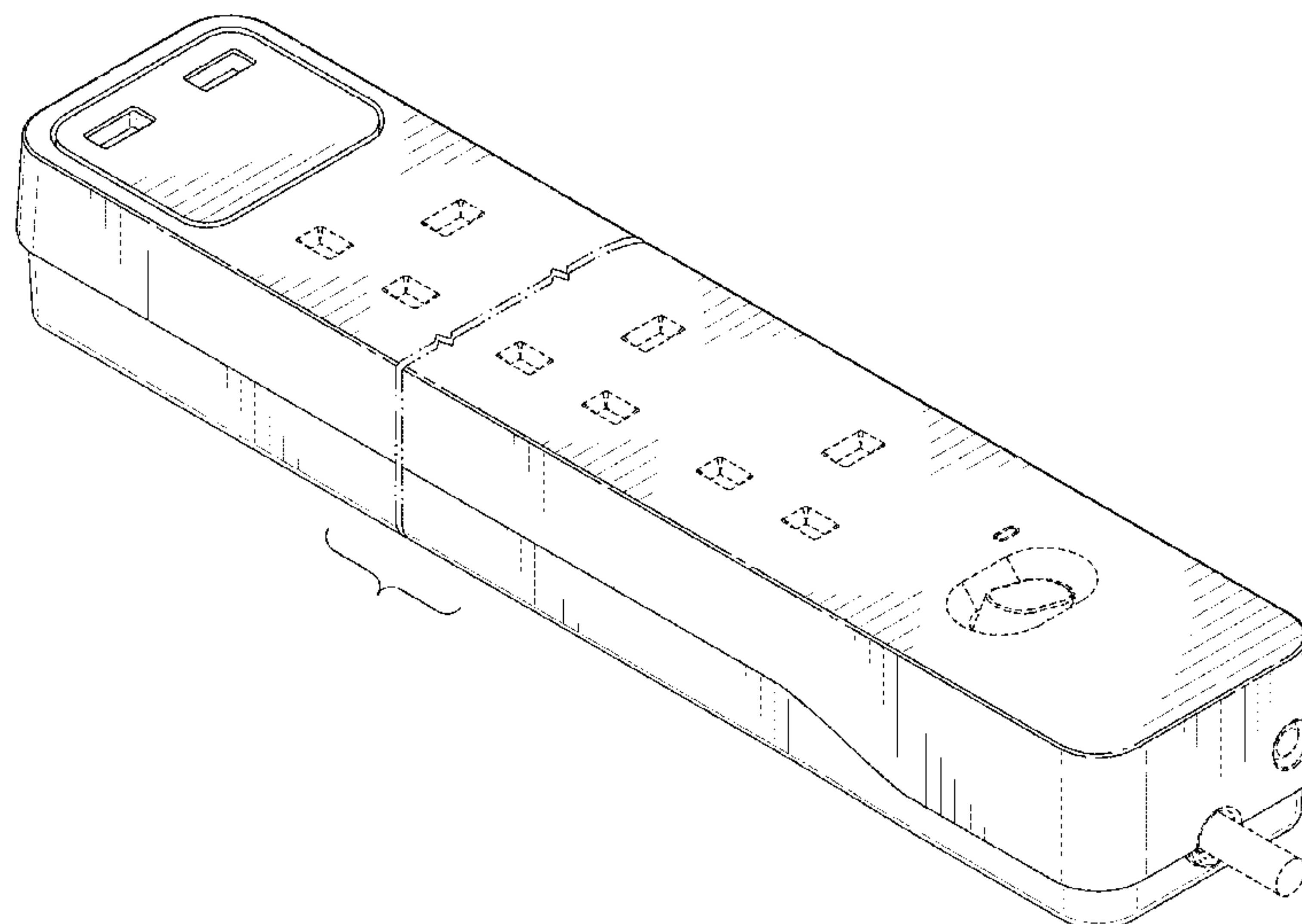
(56) **References Cited**

U.S. PATENT DOCUMENTS

5,274,527 A 12/1993 Retzlaff
6,015,307 A 1/2000 Chiu et al.

(Continued)

1 Claim, 7 Drawing Sheets



(58) **Field of Classification Search**
 CPC 25/003; H01R 25/006; H01R 25/164-167;
 H01R 31/06; H01H 2207/22; H05K 5/02;
 H05K 5/0247
 See application file for complete search history.

(56) **References Cited**

U.S. PATENT DOCUMENTS

D528,509	S	9/2006	Chesebro et al.	
D549,657	S *	8/2007	Ng	D13/139.8
D626,071	S	10/2010	Su et al.	
D682,789	S *	5/2013	Au	D13/137.3
D786,797	S	5/2017	Hsu	
9,709,611	B1 *	7/2017	Mohsenian	G01R 21/00
D801,276	S	10/2017	Lin	
D816,038	S *	4/2018	Lu	D13/137.3
D823,805	S	7/2018	Xu	
D837,736	S	1/2019	Liao et al.	
D852,749	S	7/2019	Wang	
D894,832	S	9/2020	Khalid et al.	
D910,573	S *	2/2021	Miller	D13/139.8
D934,180	S *	10/2021	Yan	D13/139.8
D938,360	S *	12/2021	Chang	D13/137.2
2013/0102194	A1	4/2013	Long et al.	
2015/0262468	A1 *	9/2015	Yang	G01K 3/005 340/595
2016/0036162	A1	2/2016	Ohler	
2018/0316201	A1	11/2018	Miller et al.	
2020/0059055	A1	2/2020	Huang et al.	

FOREIGN PATENT DOCUMENTS

EM	008589071-0001	*	6/2021
GB	9006610739-0001	*	7/2019
GB	9006846614-0002	*	9/2019
GB	9007522024-0001	*	1/2020
GB	9007522024-0002	*	1/2020
GB	9007522024-0005	*	1/2020
GB	9007522024-0006	*	1/2020
GB	6104881		10/2020

GB	6104882		10/2020
GB	6115168	*	1/2021
IL	59593	A	8/1982
JP	30-0896160		3/2017
JP	HJ30024190		7/2018
JP	HJ30024192		7/2018
JP	HD30007231		11/2018
KR	30-0443305		3/2007
KR	30-0457981		7/2007
KR	30-0649339		6/2012
KR	30-0821222		12/2014
KR	30-0781978		1/2015
KR	30-0876256		10/2016
KR	30-0896160		2/2017
KR	30-0962329		6/2018
KR	30-1092367		1/2021

OTHER PUBLICATIONS

APC PM5U-GR Surge Protection Socket Strip by Schneider Electric, Conrad.com, Retrieval date: Mar. 13, 2021, Retrieved from internet: <https://www.conrad.com/p/apc-by-schneider-electric-pm5u-gr-surge-protection-socket-strip-5x-white-euro-plug-1-pcs-1333082> (Year: 2021).

APC PME5U2B-GR Surge Protection Socket Strip by Schneider Electric, Conrad.com, Retrieval date: Mar. 13, 2021, Retrieved from internet: <https://www.conrad.com/p/apc-by-schneider-electric-pme5u2b-gr-surge-protection-socket-strip-black-pg-connector-1-pcs-2236881> (Year: 2021).

Essential Surge Protector manual by Schneider Electric, Conrad.com, Copyright date: Sep. 2015, Retrieval date: Mar. 13, 2021, Retrieved from internet: <https://asset.conrad.com/media10/add/160267/c1/-/gl/001333082ML01/manual-1333082-apc-by-schneider-electric-pm5u-gr-surge-protection-socket-strip-5x-white> (Year: 2015).

Home/Office/Performance Surge Protector manual by Schneider Electric, Conrad.com., Copyright date: Jul. 2019, Retrieval date: Mar. 13, 2021, Retrieved from internet: <https://asset.conrad.com/media10/add/160267/c1/-/gl/002236879ML00/manual-2236879-apc-by-schneider-electric-pme1wu2b-gr-surge-protection> (Year: 2019).

* cited by examiner

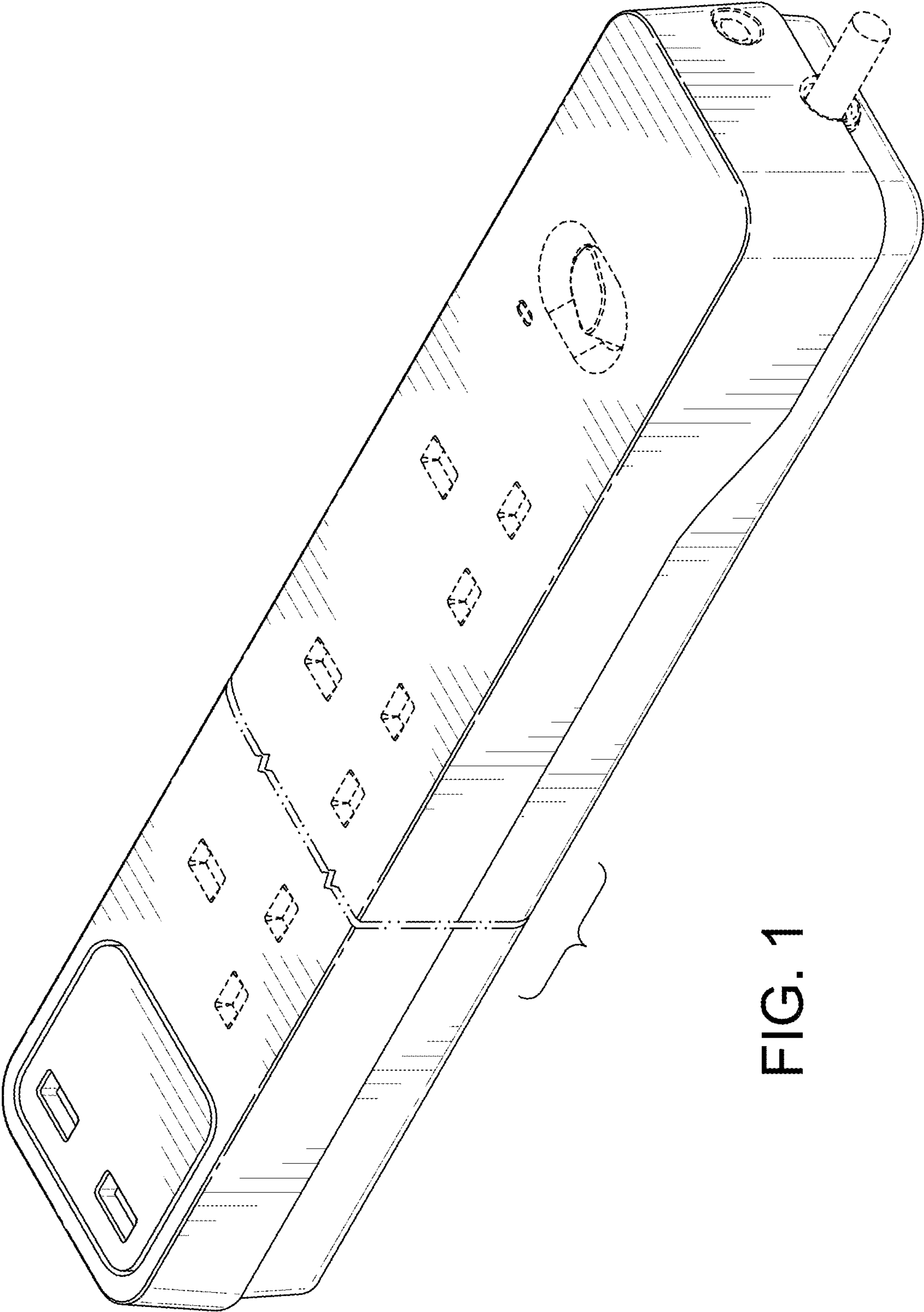


FIG. 1

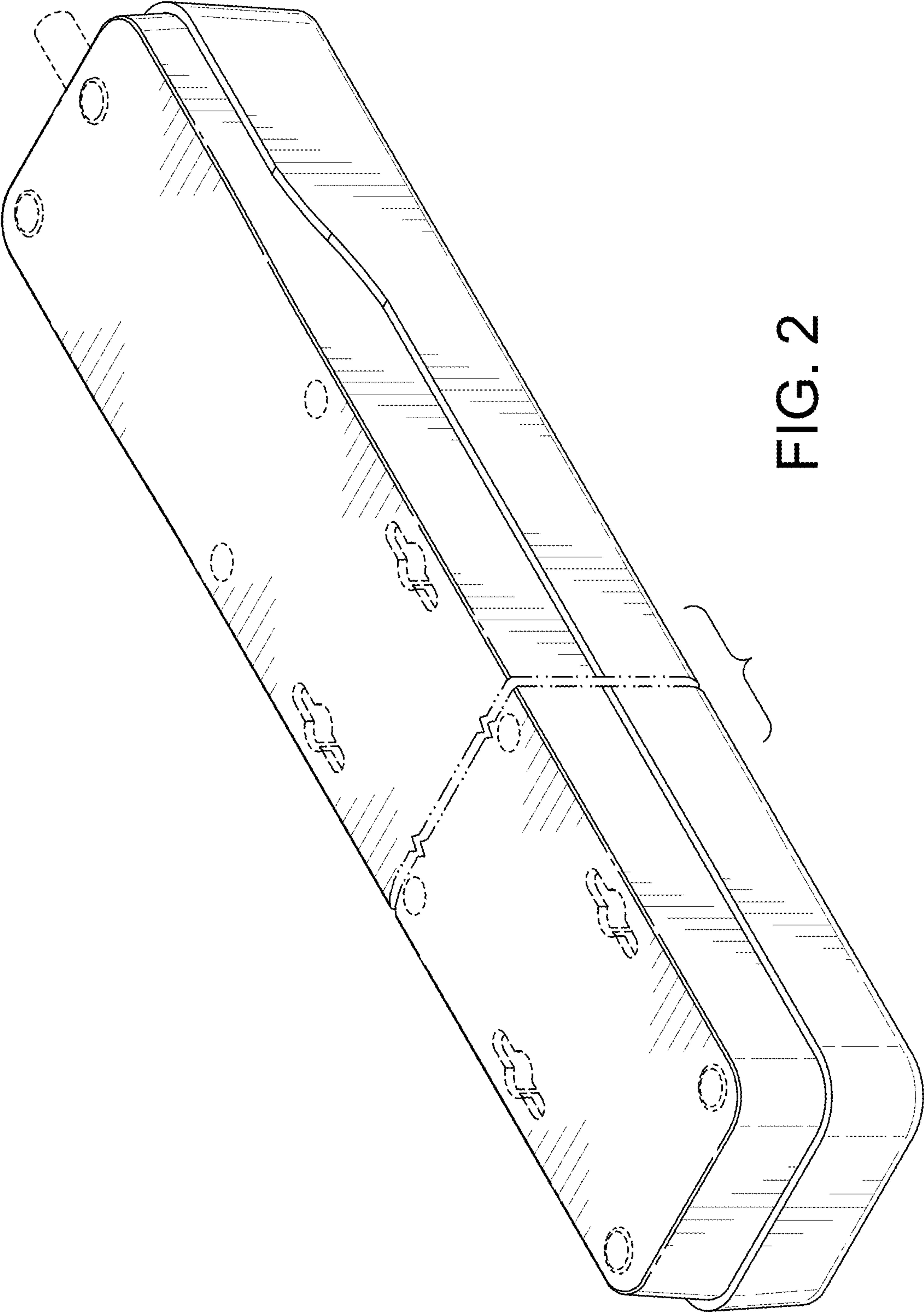


FIG. 2

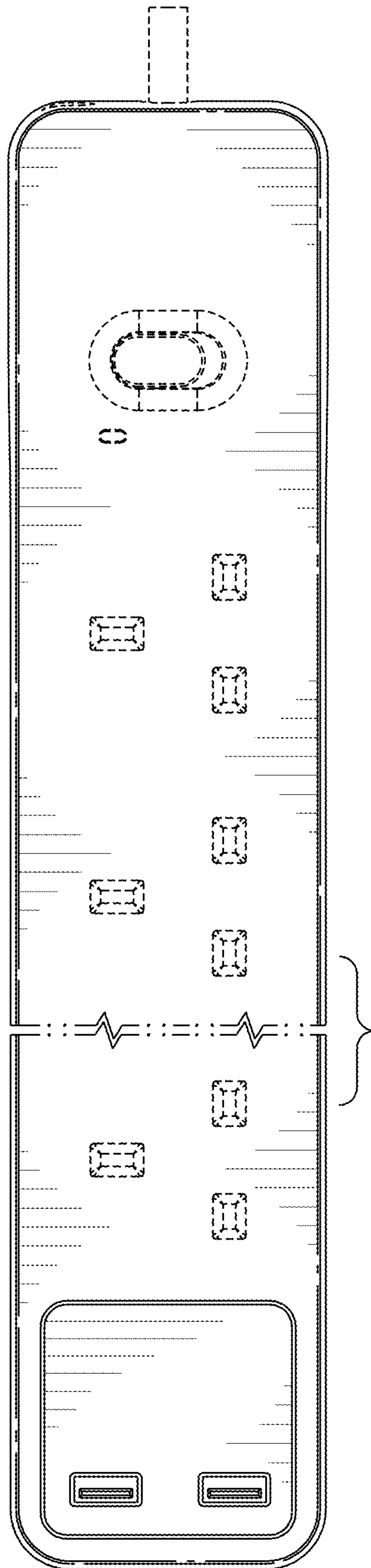


FIG. 3

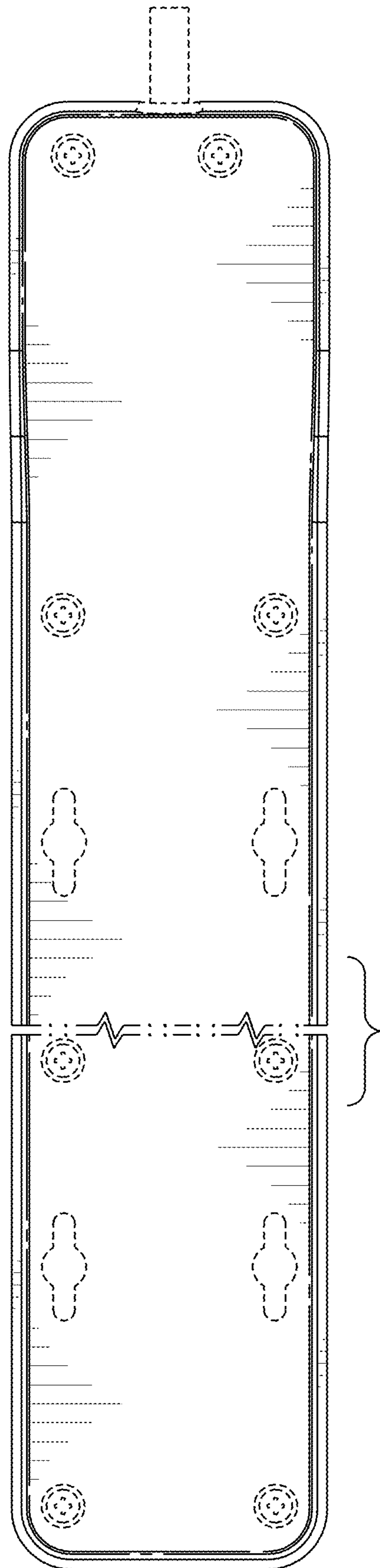


FIG. 4

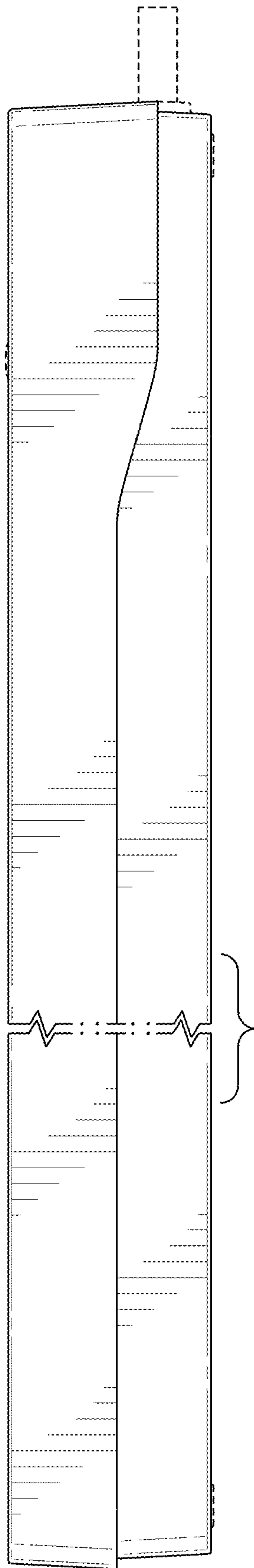


FIG. 5

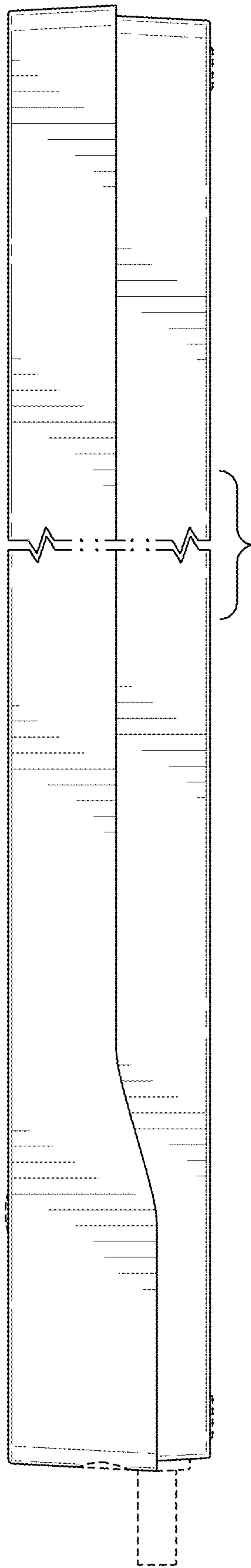


FIG. 6

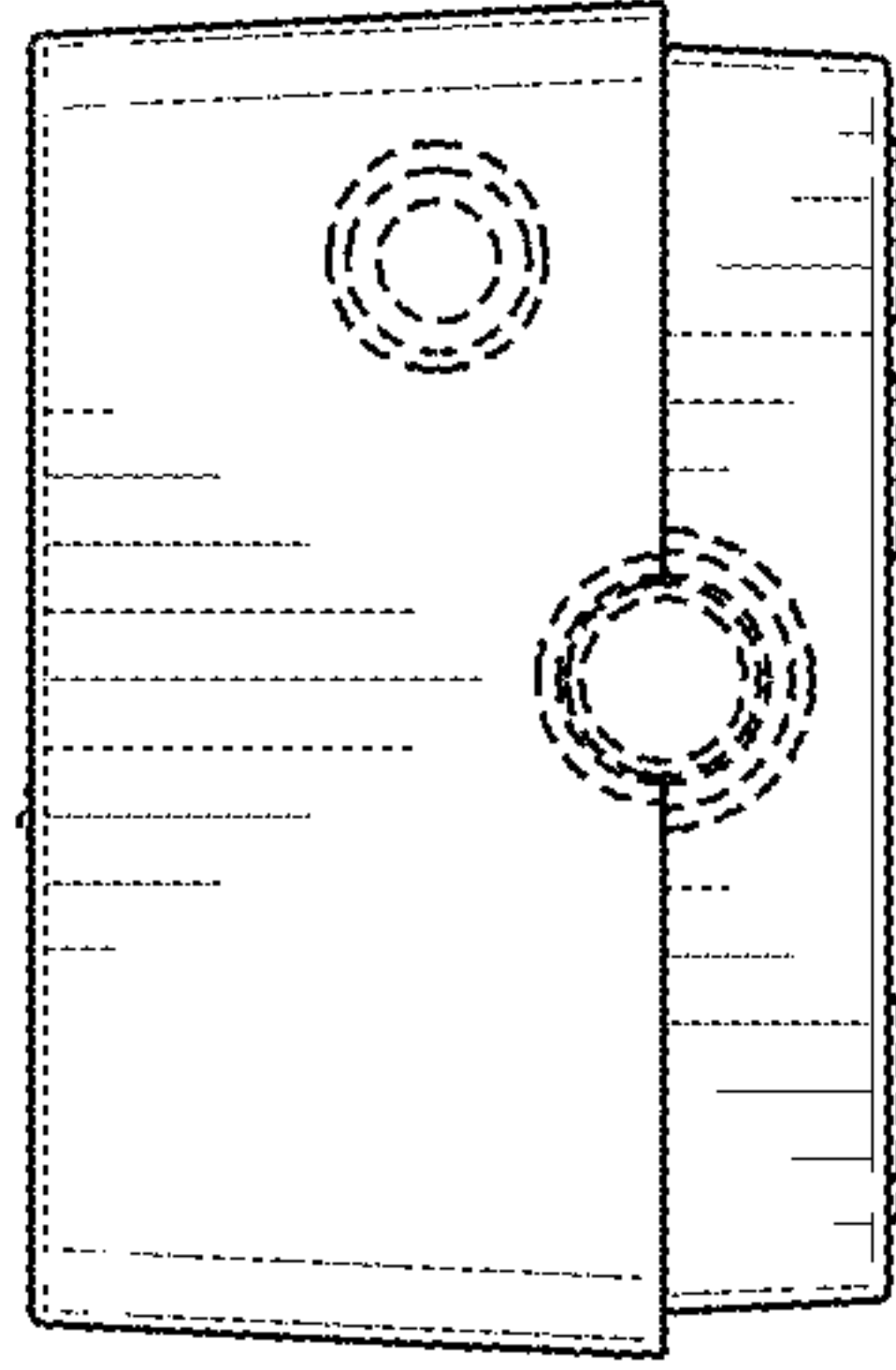


FIG. 8

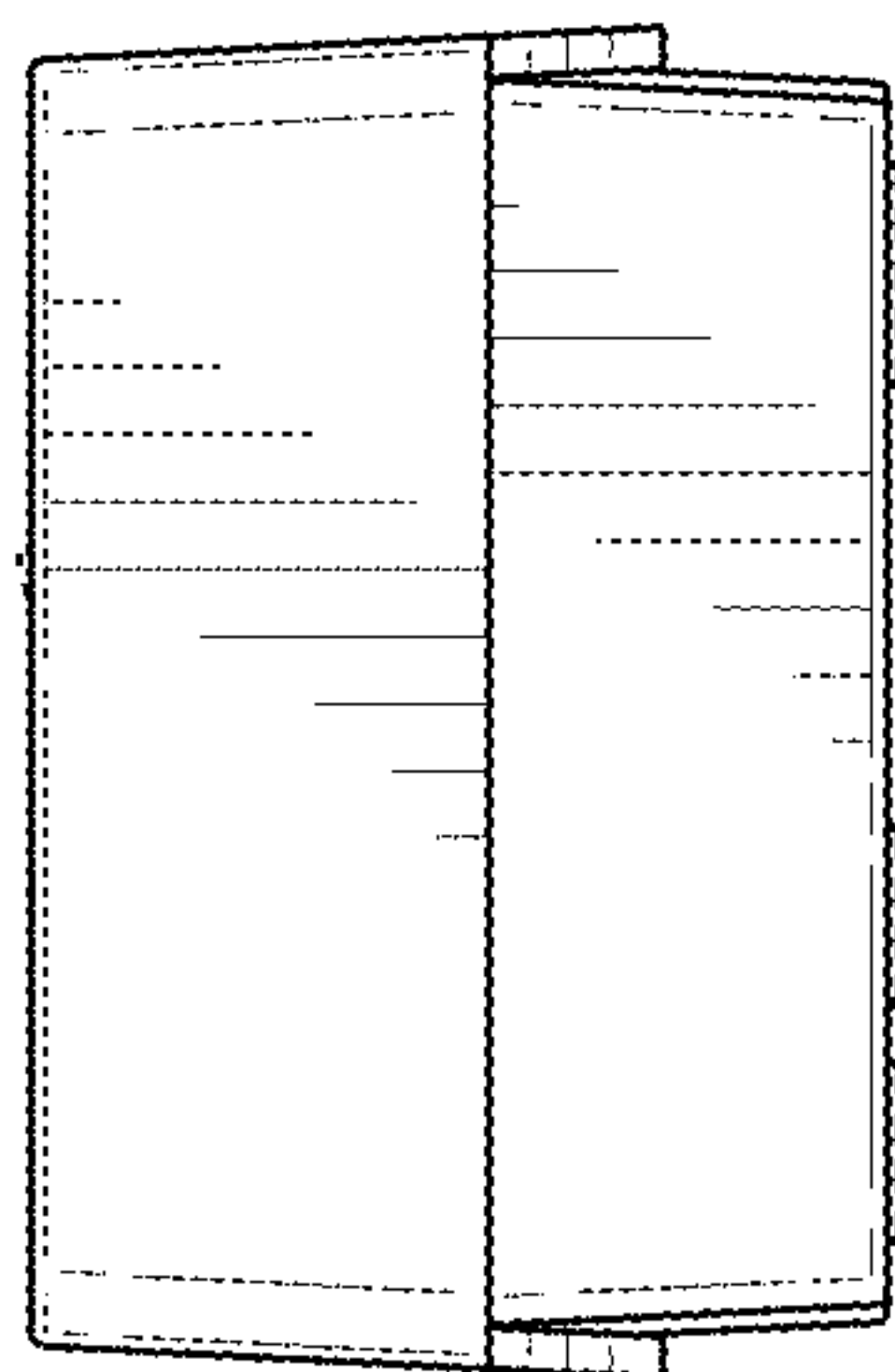


FIG. 7