



US00D971151S

(12) **United States Design Patent** (10) **Patent No.:** **US D971,151 S**
Chen (45) **Date of Patent:** **** Nov. 29, 2022**

(54) **CHARGING PLUG**

(71) Applicant: **Jui Lung Chen**, New Taipei (TW)

(72) Inventor: **Jui Lung Chen**, New Taipei (TW)

(**) Term: **15 Years**

(21) Appl. No.: **29/741,645**

(22) Filed: **Jul. 14, 2020**

(51) **LOC (13) Cl.** **13-03**

(52) **U.S. Cl.**

USPC **D13/133**; D13/107

(58) **Field of Classification Search**

USPC D13/107, 108, 110, 137.1, 137.2, 137, 3,
D13/137.4, 138.1, 138.2, 139.1, 139.2,
D13/139.3, 139.4, 139.5, 139.6, 139.7,
D13/139.8, 146, 151, 152, 153, 154, 158,
D13/159, 160, 161, 162, 162.1, 163, 164,
D13/165, 166, 167, 168, 169, 171, 172,
D13/173, 174, 175, 176, 177, 178, 179,
D13/184, 199, 133

CPC H01R 13/00; H01R 13/03; H01R 13/04;
H01R 13/10; H01R 13/35; H01R 13/44;
H01R 13/46; H01R 13/453; H01R
13/4534; H01R 13/502; H01R 13/506;
H01R 13/514; H01R 13/518; H01R
13/6272; H01R 13/631; H01R 13/639;
H01R 13/652; H01R 13/665; H01R
13/6633; H01R 13/6666; H01R 13/6675;
H01R 13/7135; H01R 31/02; H01R
31/06; H01R 31/065; H01R 25/00; H01R
25/006; H01R 9/00; H01R 11/00; H01R
35/04; H01R 2201/06; H01H 2207/00;
H01H 2207/022; H01H 2203/00; H05K
5/00; H05K 5/03; H02G 3/088

See application file for complete search history.

(56) **References Cited**

U.S. PATENT DOCUMENTS

D684,929	S	*	6/2013	Nook	D13/137.1
D768,080	S	*	10/2016	Parks	D13/133
D818,963	S	*	5/2018	Little	D13/137.2
D840,584	S	*	2/2019	Benner	D26/113
D900,032	S	*	10/2020	Nook	D13/137.1
D903,602	S	*	12/2020	Nook	D13/137.1
D903,603	S	*	12/2020	Nook	D13/137.1
D936,021	S	*	11/2021	Nook	D13/137.1
D936,592	S	*	11/2021	Nook	D13/137.1
2022/0021151	A1	*	1/2022	Chen	H01R 24/28

FOREIGN PATENT DOCUMENTS

JP	D1657514	*	4/2020
JP	D1657576	*	4/2020
JP	D1665006	*	8/2020
JP	D1665083	*	8/2020

* cited by examiner

Primary Examiner — Rosemary K Tarcza

Assistant Examiner — Seth David Kumpf

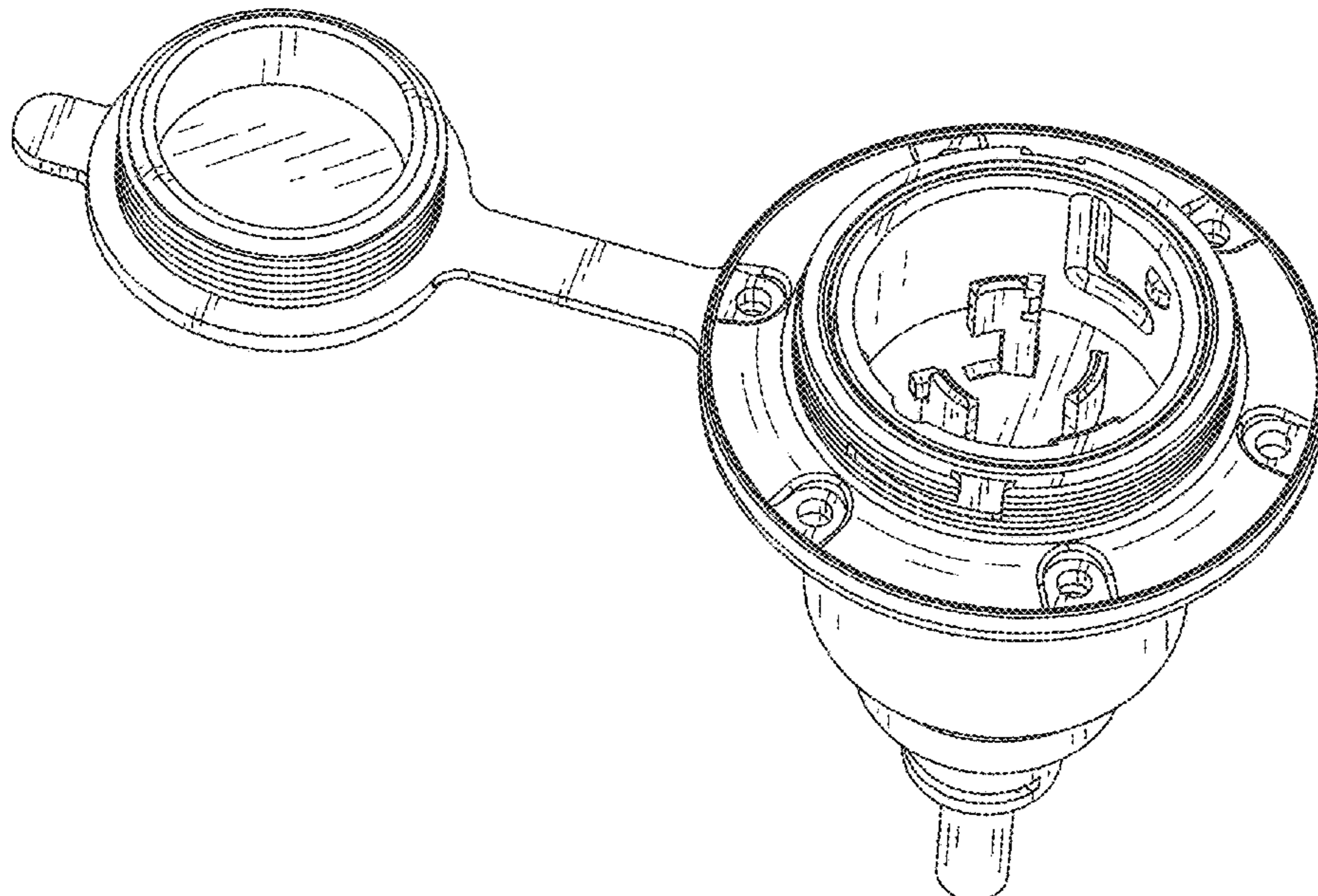
(57) **CLAIM**

The ornamental design for a charging plug, as shown and described.

DESCRIPTION

FIG. 1 is a perspective view of a charging plug showing my new design;
FIG. 2 is a front elevational view of thereof;
FIG. 3 is a rear elevational view thereof;
FIG. 4 is a left side elevational view thereof;
FIG. 5 is a right side elevational view thereof;
FIG. 6 is a top plan view thereof; and,
FIG. 7 is a bottom plan view thereof.

1 Claim, 7 Drawing Sheets



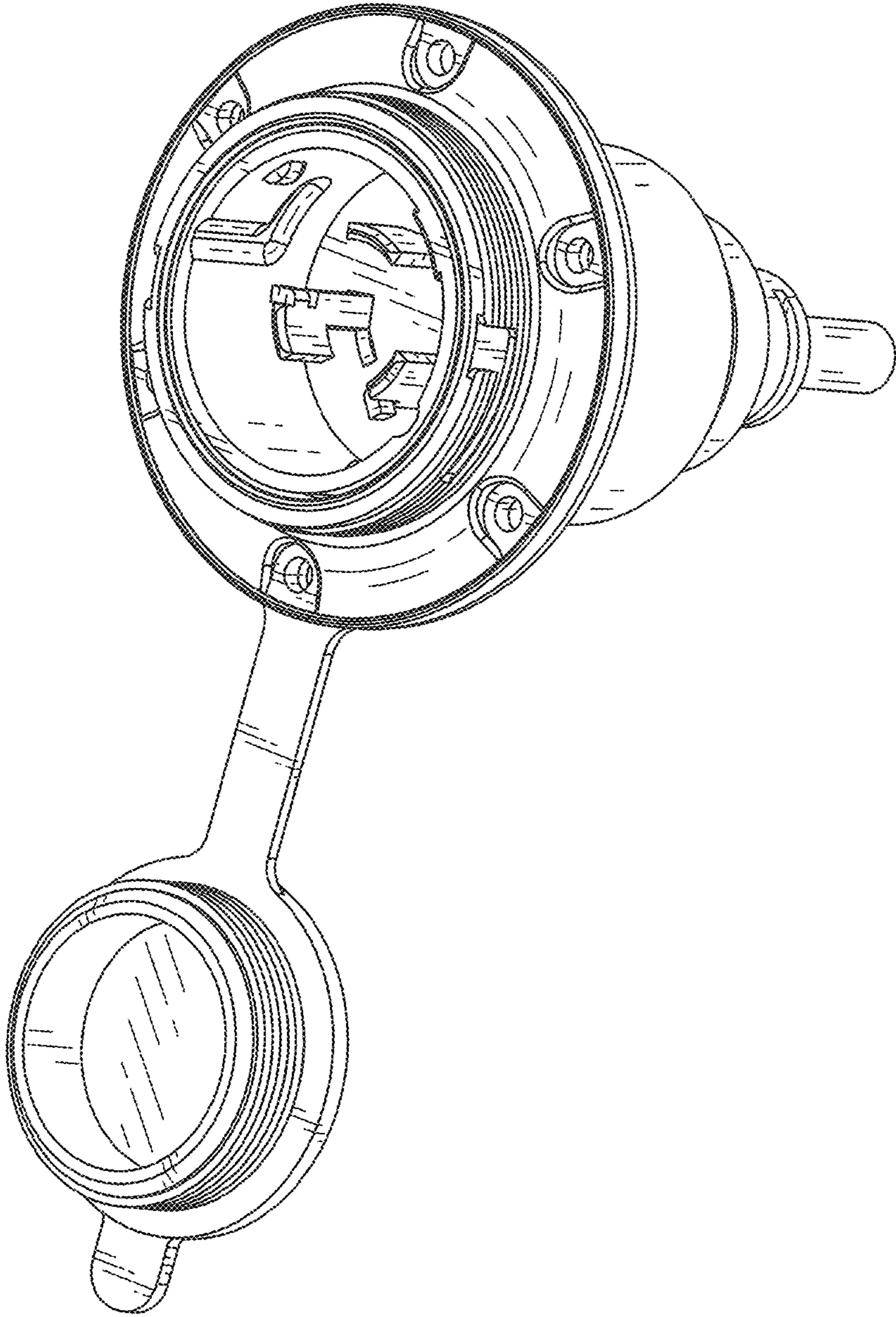


FIG. 1

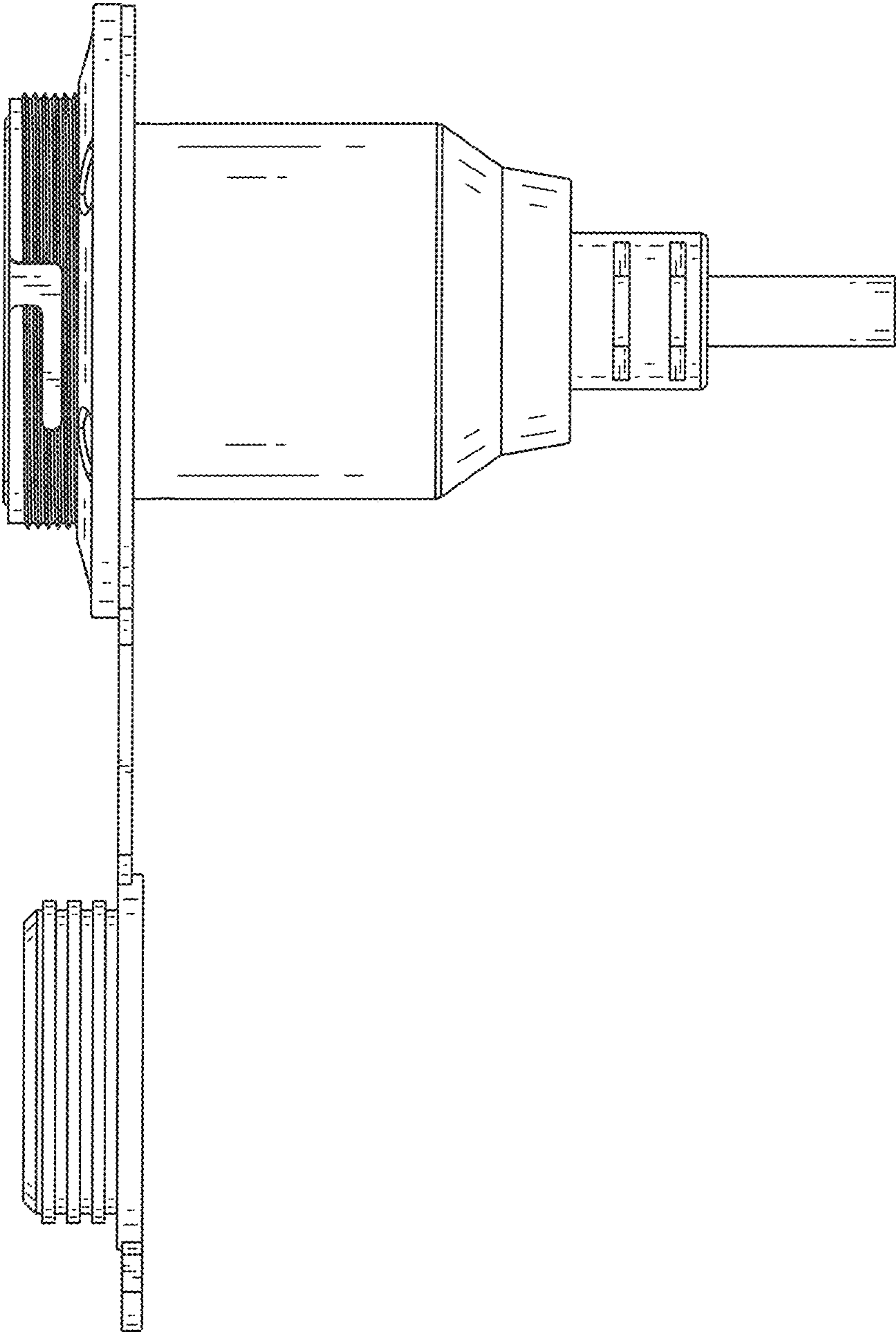


FIG. 2

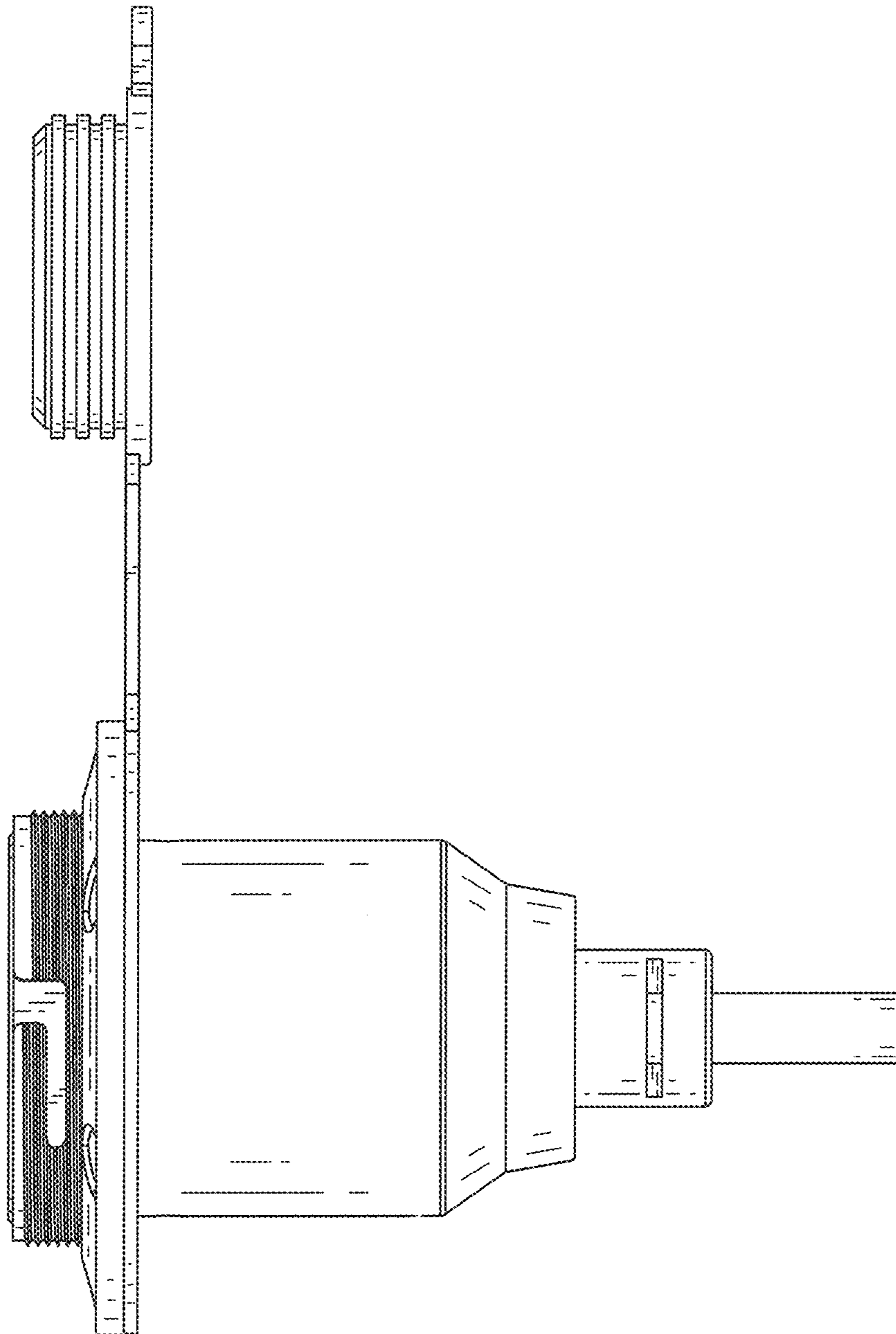


FIG. 3

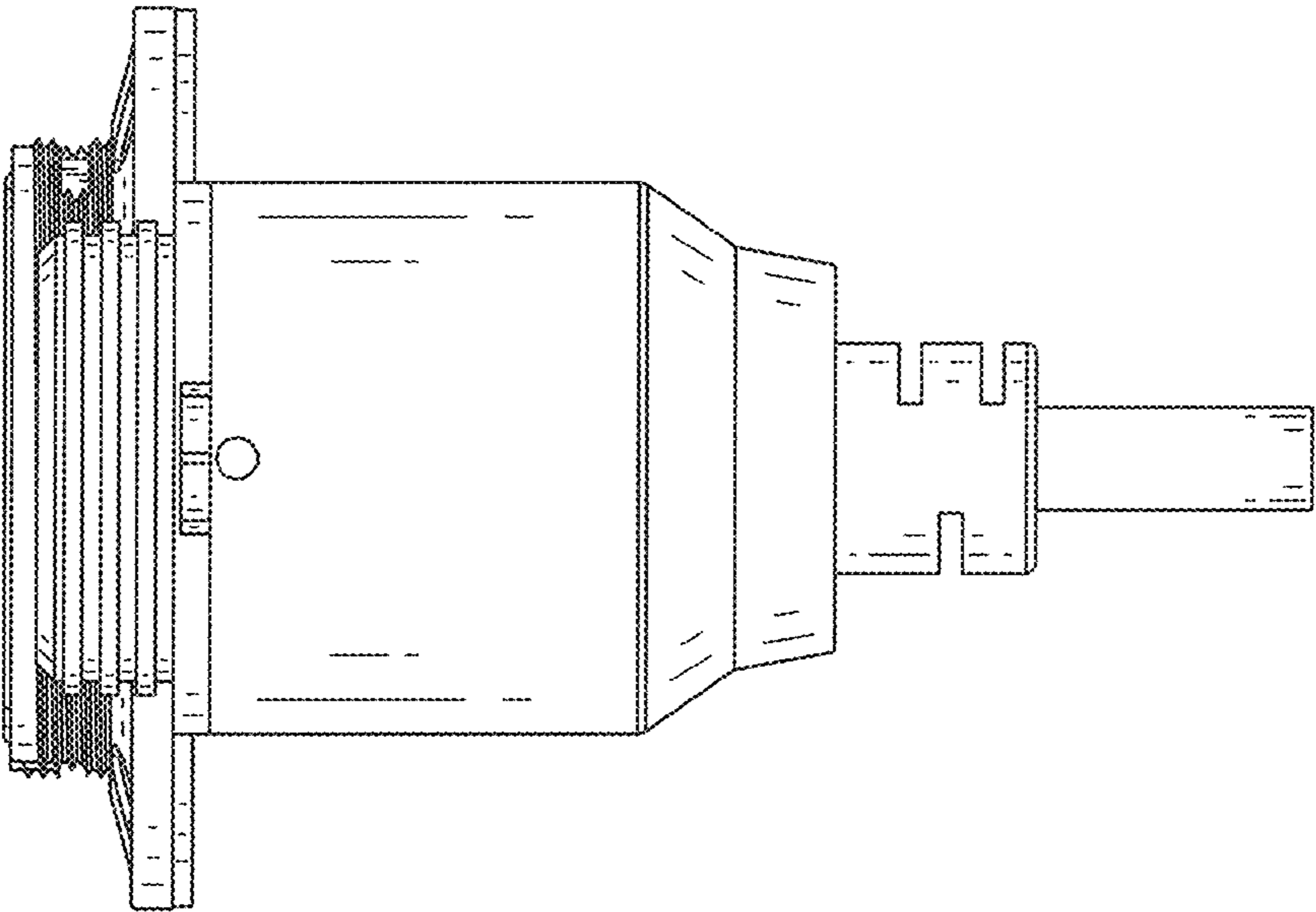


FIG. 4

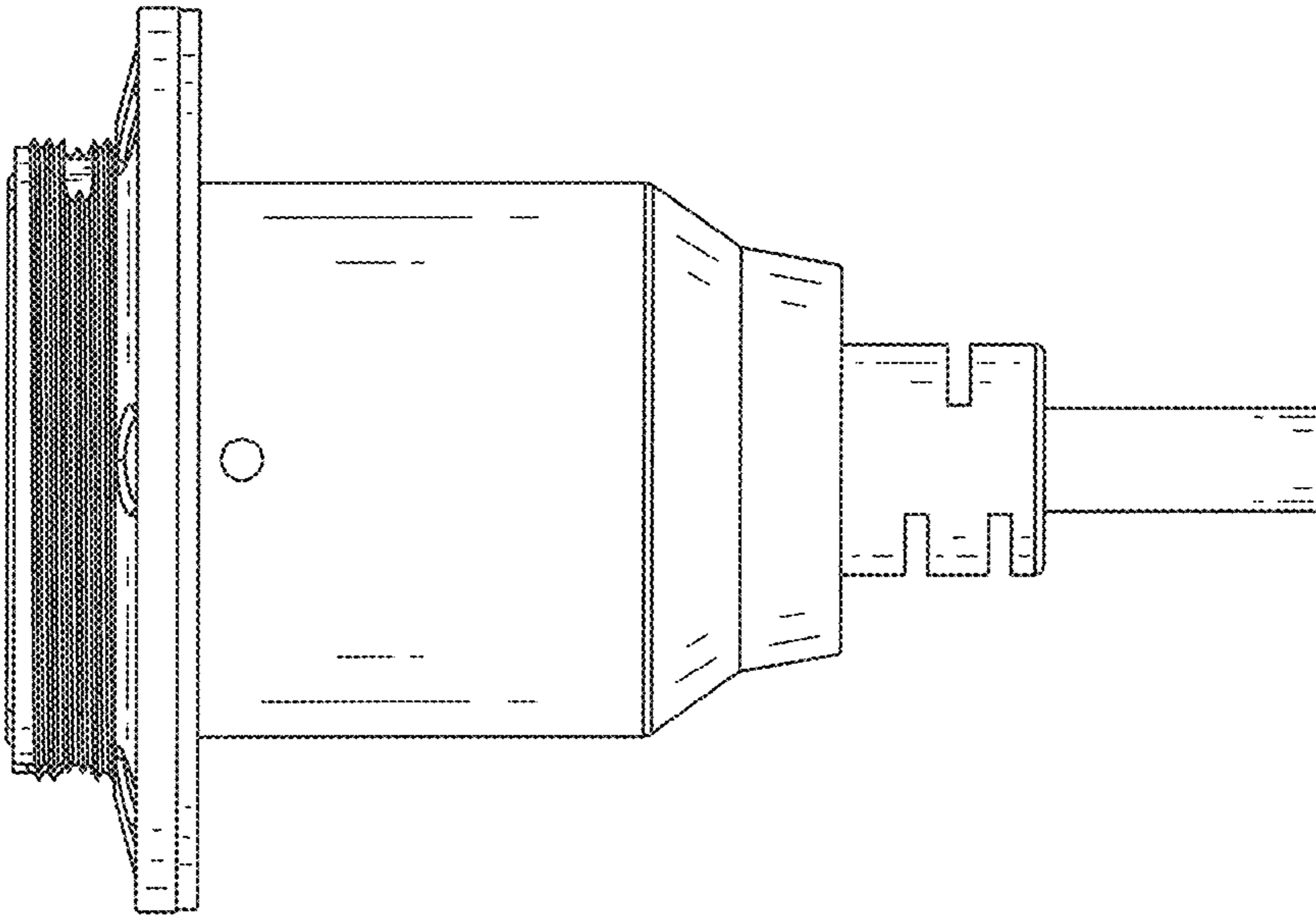


FIG. 5

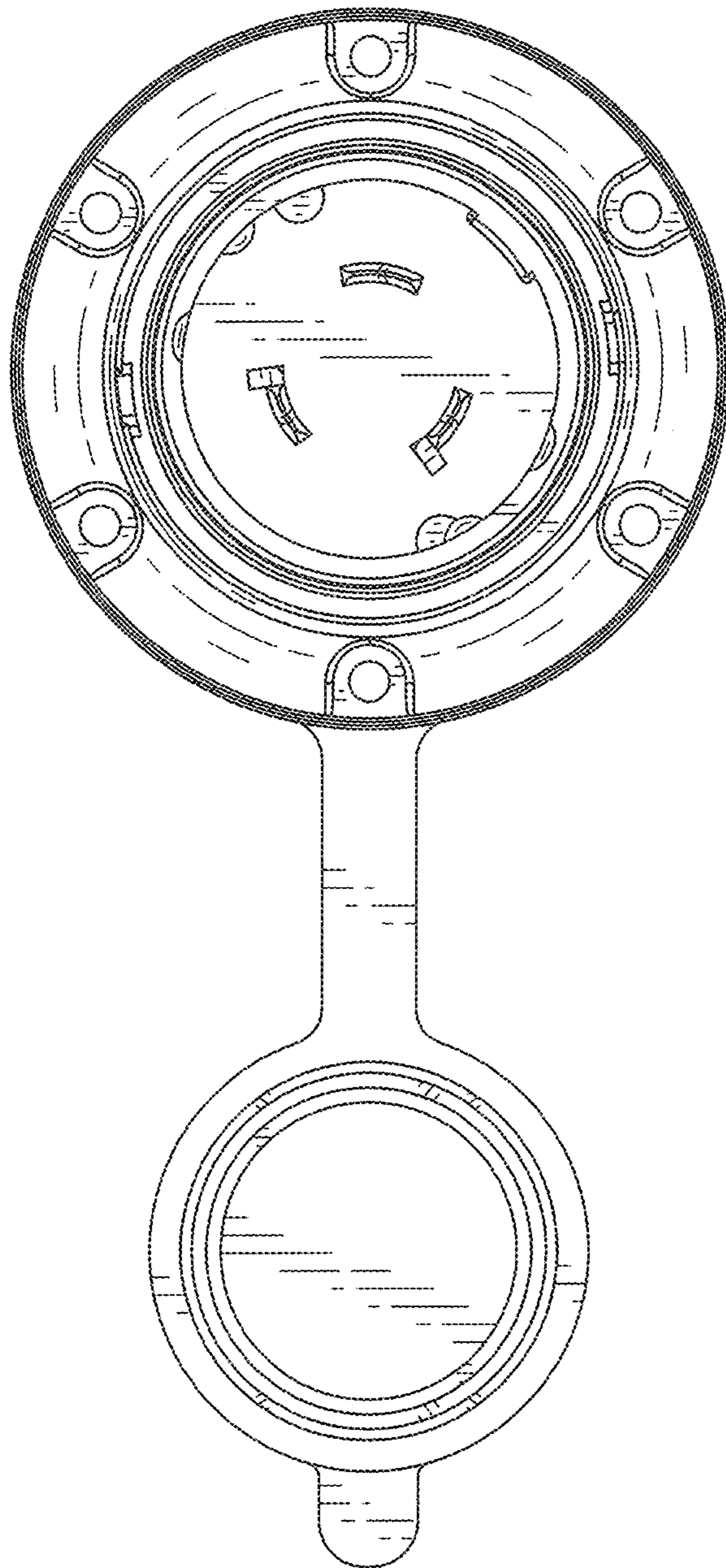


FIG. 6

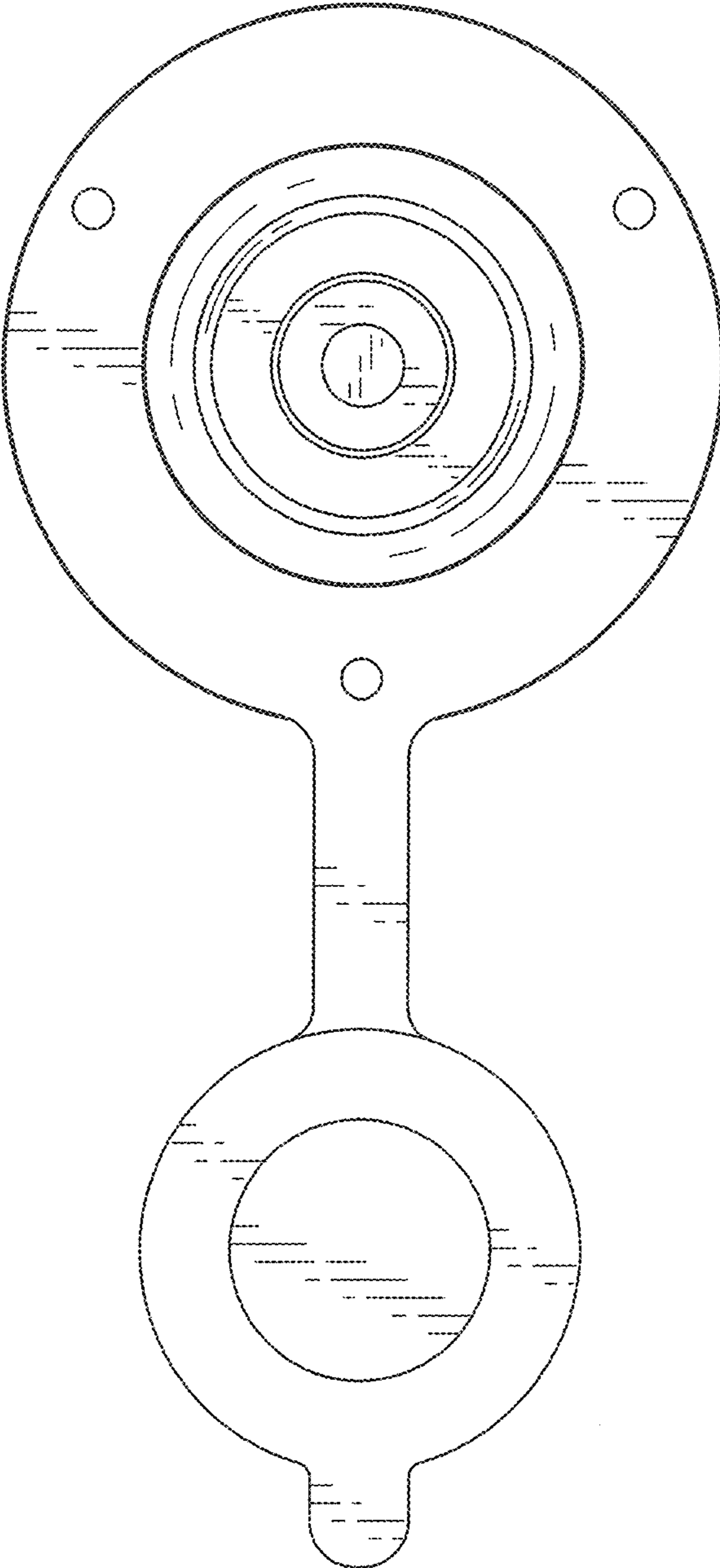


FIG. 7