



US00D971145S

(12) **United States Design Patent**  
**Sun et al.**

(10) **Patent No.:** **US D971,145 S**

(45) **Date of Patent:** **\*\* Nov. 29, 2022**

(54) **POWER SUPPLY**

(71) Applicant: **SHENZHEN HELLO TECH ENERGY CO., LTD**, Guangdong (CN)

(72) Inventors: **Zhongwei Sun**, Guangdong (CN); **Zhifeng Tang**, Guangdong (CN); **Wei Bai**, Guangdong (CN)

(73) Assignee: **SHENZHEN HELLO TECH ENERGY CO., LTD**, Shenzhen (CN)

(\*\*) Term: **15 Years**

(21) Appl. No.: **29/794,115**

(22) Filed: **Jun. 10, 2021**

(30) **Foreign Application Priority Data**

Mar. 22, 2021 (CN) ..... 202130152550.6

(51) **LOC (13) Cl.** ..... **13-02**

(52) **U.S. Cl.**  
USPC ..... **D13/110**

(58) **Field of Classification Search**  
USPC ..... D13/102, 103, 106–108, 110, 118–119, D13/184, 199, 112, 114, 116  
CPC ..... H02J 7/0042; H02J 7/0044; H02J 7/0045; H02J 7/0047; H02J 7/0003; H02J 7/00047; H02J 7/0013; H02J 7/0027; H02J 1/122; H02J 7/00; B60R 16/033; H01M 10/44; H01M 10/46  
See application file for complete search history.

(56) **References Cited**

U.S. PATENT DOCUMENTS

D483,326 S \* 12/2003 Krieger ..... D13/107  
D491,139 S \* 6/2004 Krieger ..... D13/107  
D503,148 S \* 3/2005 Krieger ..... D13/107  
D506,724 S \* 6/2005 Hriscu ..... D13/107  
D506,975 S \* 7/2005 Krieger ..... D13/107  
D530,271 S \* 10/2006 Hriscu ..... D13/107  
D815,039 S \* 4/2018 Wen ..... D13/110

D874,397 S \* 2/2020 Sun ..... D13/107  
D874,398 S \* 2/2020 Sun ..... D13/107  
D883,206 S \* 5/2020 Bai ..... D13/110  
D887,357 S \* 6/2020 Liao ..... D13/110

(Continued)

**OTHER PUBLICATIONS**

“Jackery Portable Power Station Explorer 1000, 1002Wh Solar Generator (Solar Panel Optional) with 3x110V/1000W AC Outlets, Solar Mobile Lithium Battery Pack for Outdoor RV/Van Camping, Emergency”, Amazon.com, first available: Jan. 7, 2020. <<https://www.amazon.com/dp/B083KBJ8Q/>>. (Year: 2020).\*

*Primary Examiner* — Rosemary K Tarcza

(74) *Attorney, Agent, or Firm* — Dragon Sun Law Firm, PC; Jinggao Li; Nathaniel Perkins

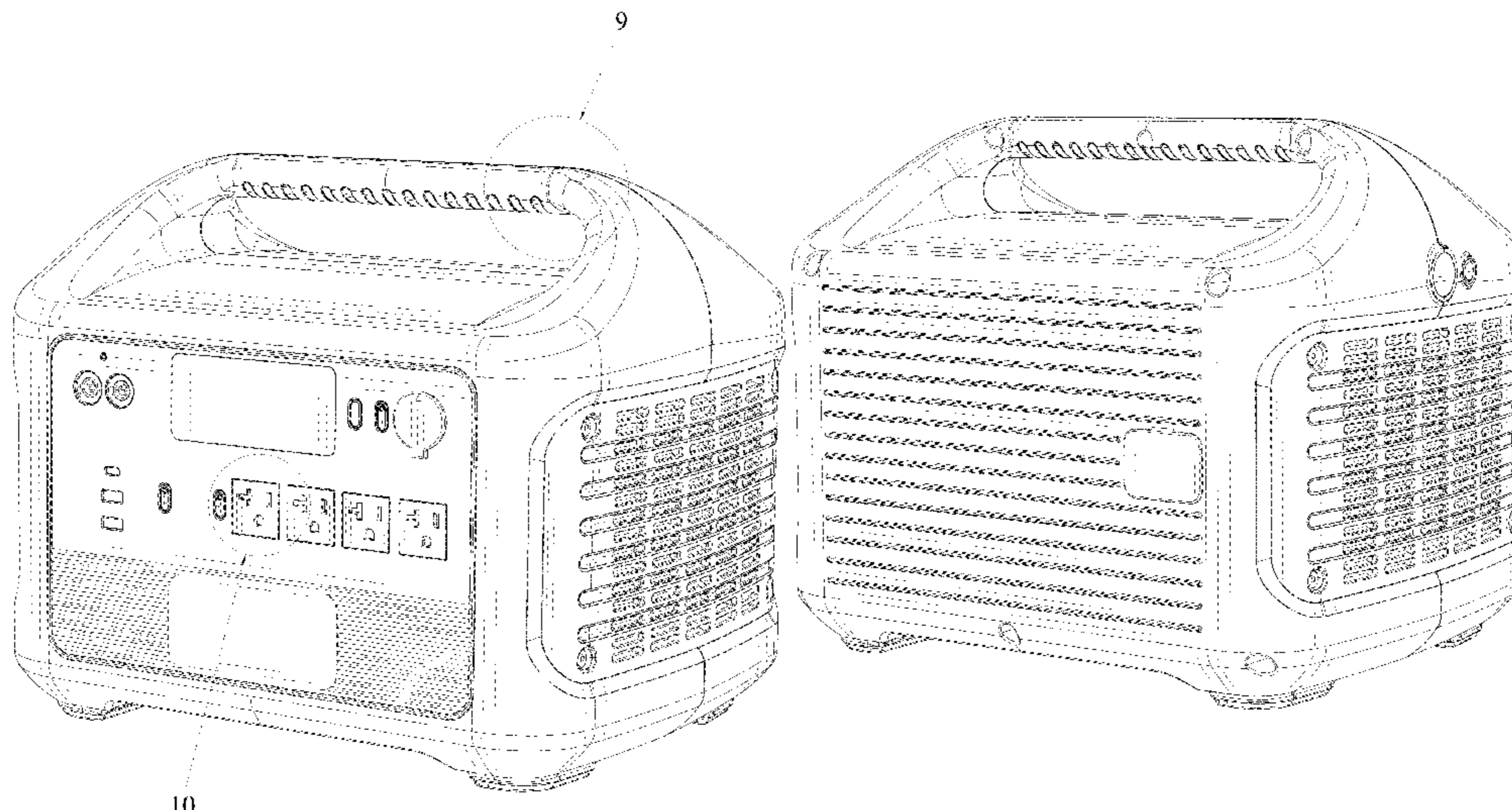
(57) **CLAIM**

The ornamental design for a power supply, as shown and described.

**DESCRIPTION**

FIG. 1 is a perspective view of a power supply showing my new design;  
FIG. 2 is another perspective view thereof;  
FIG. 3 is a front elevation view thereof;  
FIG. 4 is a rear elevation view thereof;  
FIG. 5 is an enlarged left elevation view thereof;  
FIG. 6 is an enlarged right elevation view thereof;  
FIG. 7 is a top plan view thereof;  
FIG. 8 is a bottom plan view thereof;  
FIG. 9 is an enlarged view of the selected portion 9 in FIG. 1;  
FIG. 10 is an enlarged view of the selected portion 10 in FIG. 1; and,  
FIG. 11 is an enlarged view of the selected portion 11 in FIG. 3.  
The broken lines shown in the figures depict portions of the power supply that form no part of the claimed design.

**1 Claim, 11 Drawing Sheets**



(56)

**References Cited**

U.S. PATENT DOCUMENTS

D897,283	S	*	9/2020	Sun	.....	D13/103
D897,284	S	*	9/2020	Sun	.....	D13/103
D911,935	S	*	3/2021	Alexander	.....	D13/107
D930,585	S	*	9/2021	Yu	.....	D13/110
D932,433	S	*	10/2021	Tang	.....	D13/110
D936,007	S	*	11/2021	Huang	.....	D13/110
D938,355	S	*	12/2021	Xiong	.....	D13/110
D944,732	S	*	3/2022	Sun	.....	D13/110
D950,490	S	*	5/2022	Yu	.....	D13/110
D953,256	S	*	5/2022	Lou	.....	D13/107
D955,978	S	*	6/2022	Wu	.....	D13/103
D959,365	S	*	8/2022	Sun	.....	D13/103
D960,096	S	*	8/2022	Li	.....	D13/110
D964,276	S	*	9/2022	Fang	.....	D13/110

\* cited by examiner

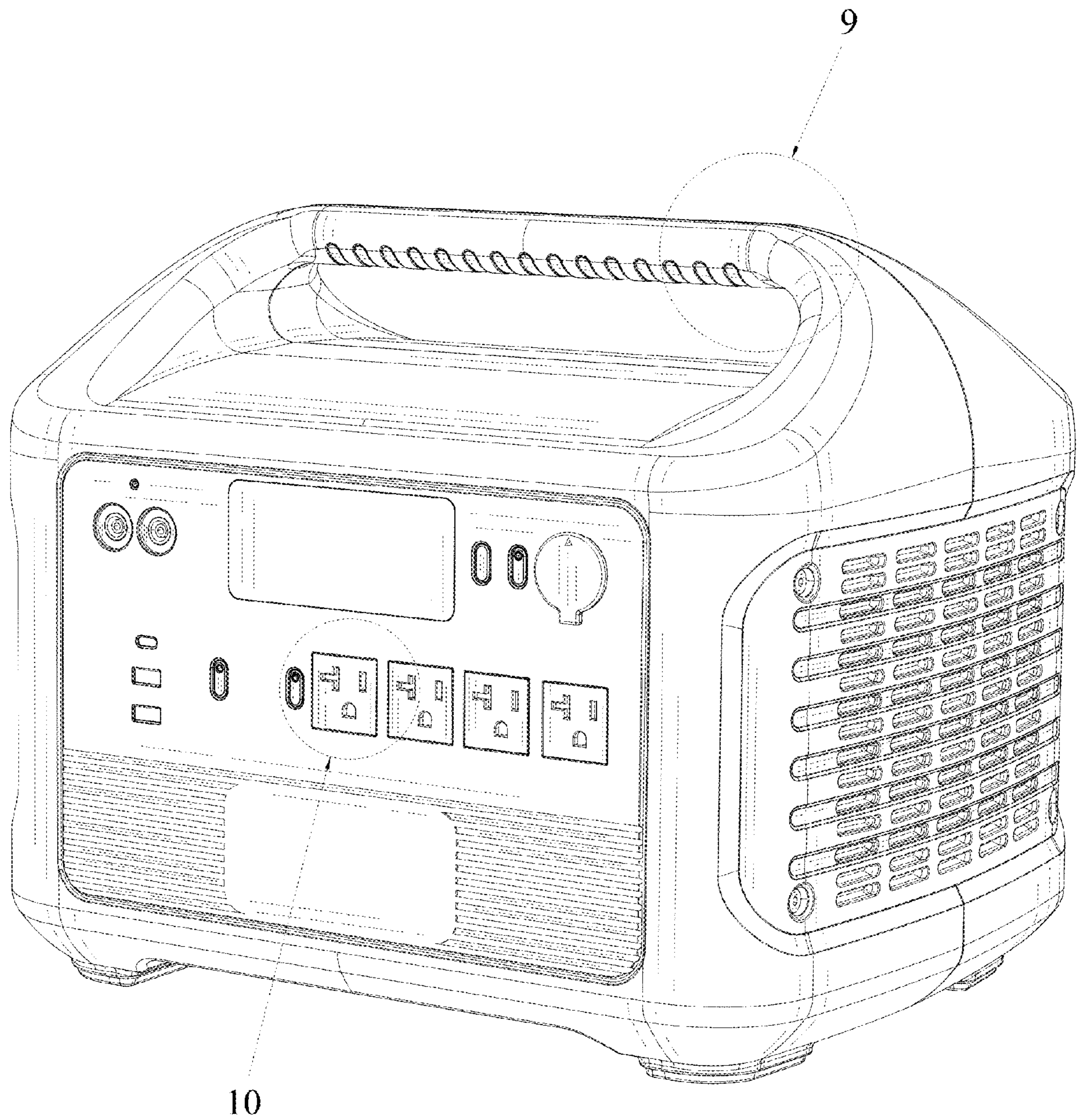


FIG. 1

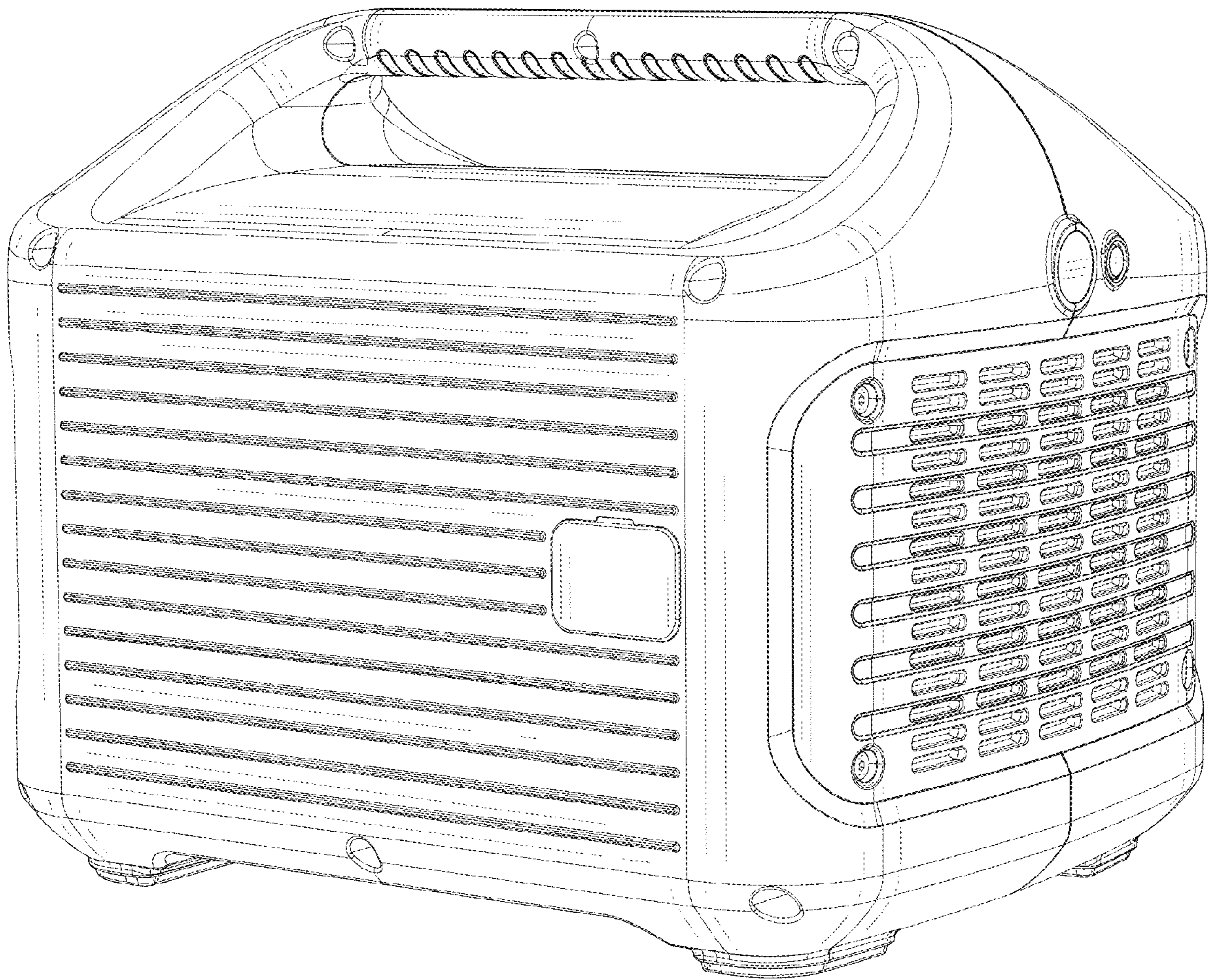


FIG. 2

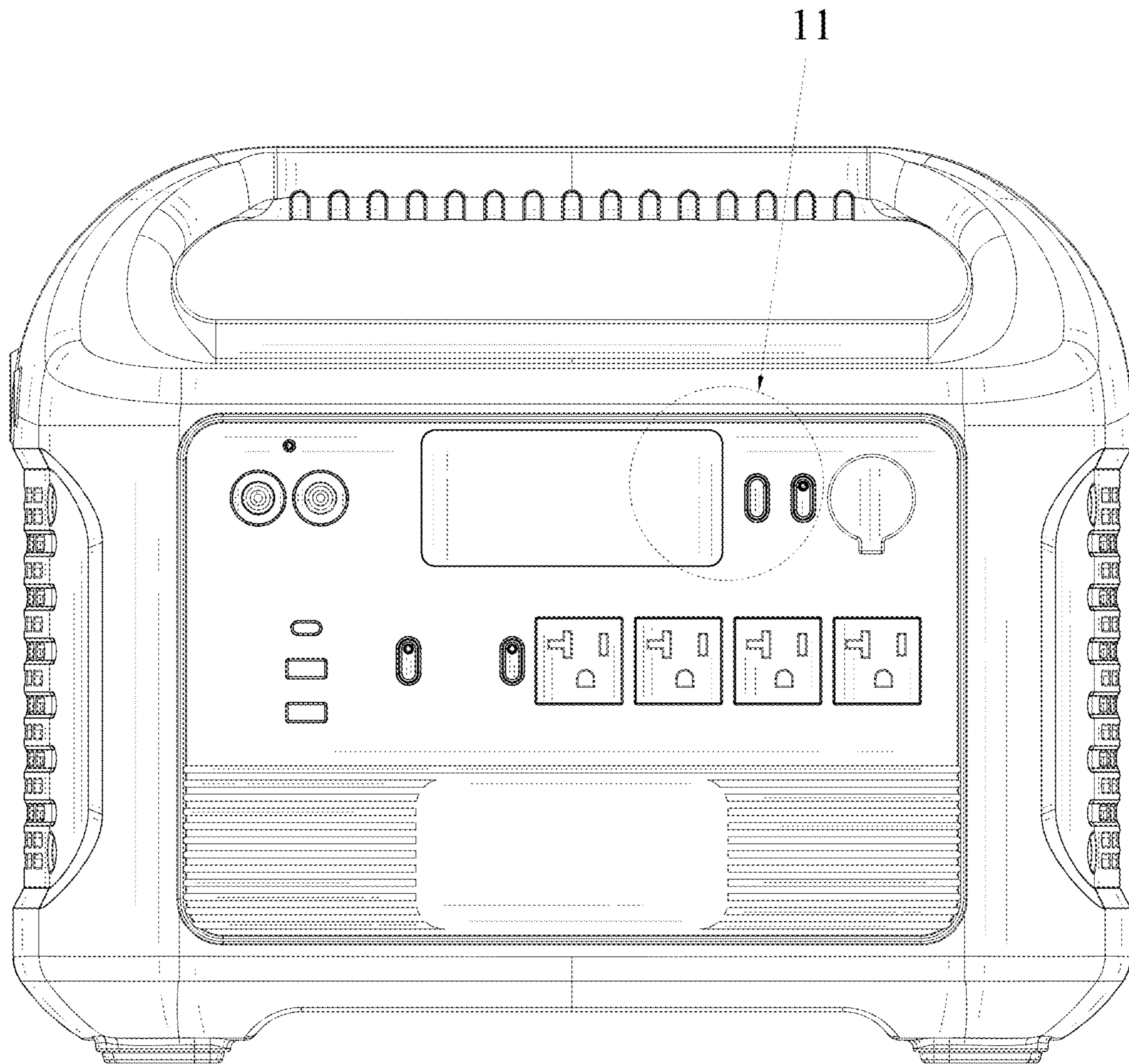


FIG. 3

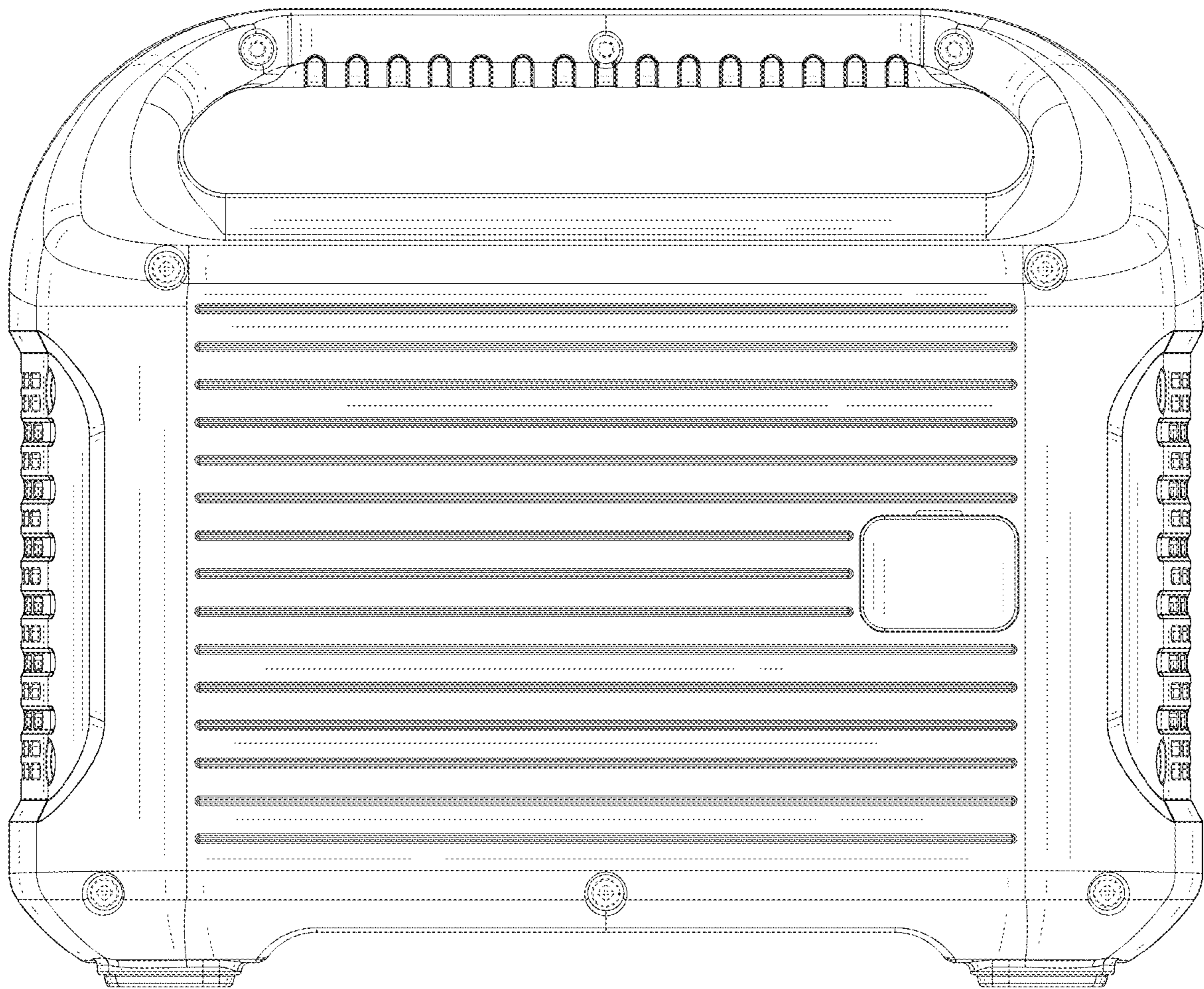


FIG. 4

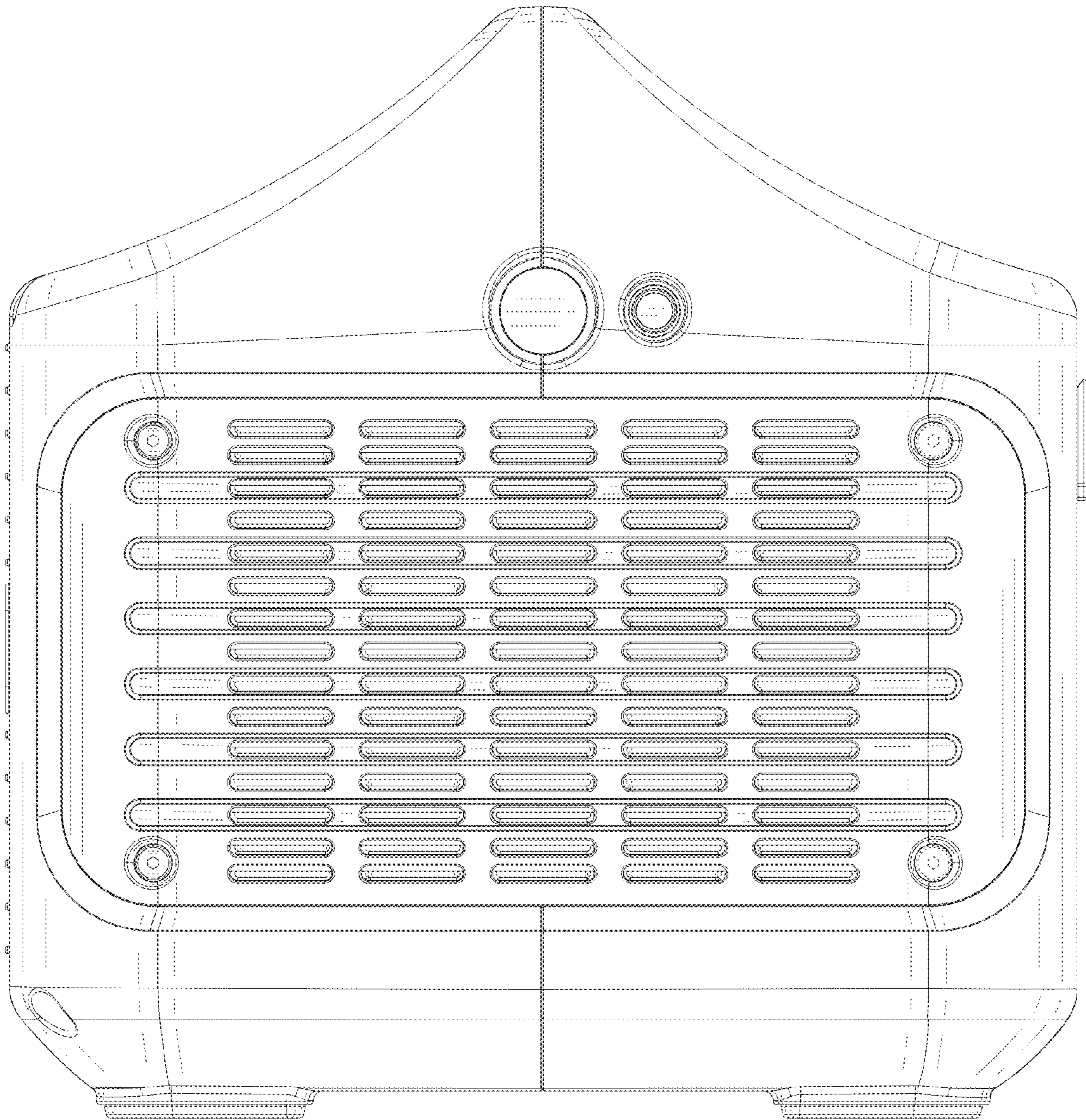


FIG. 5

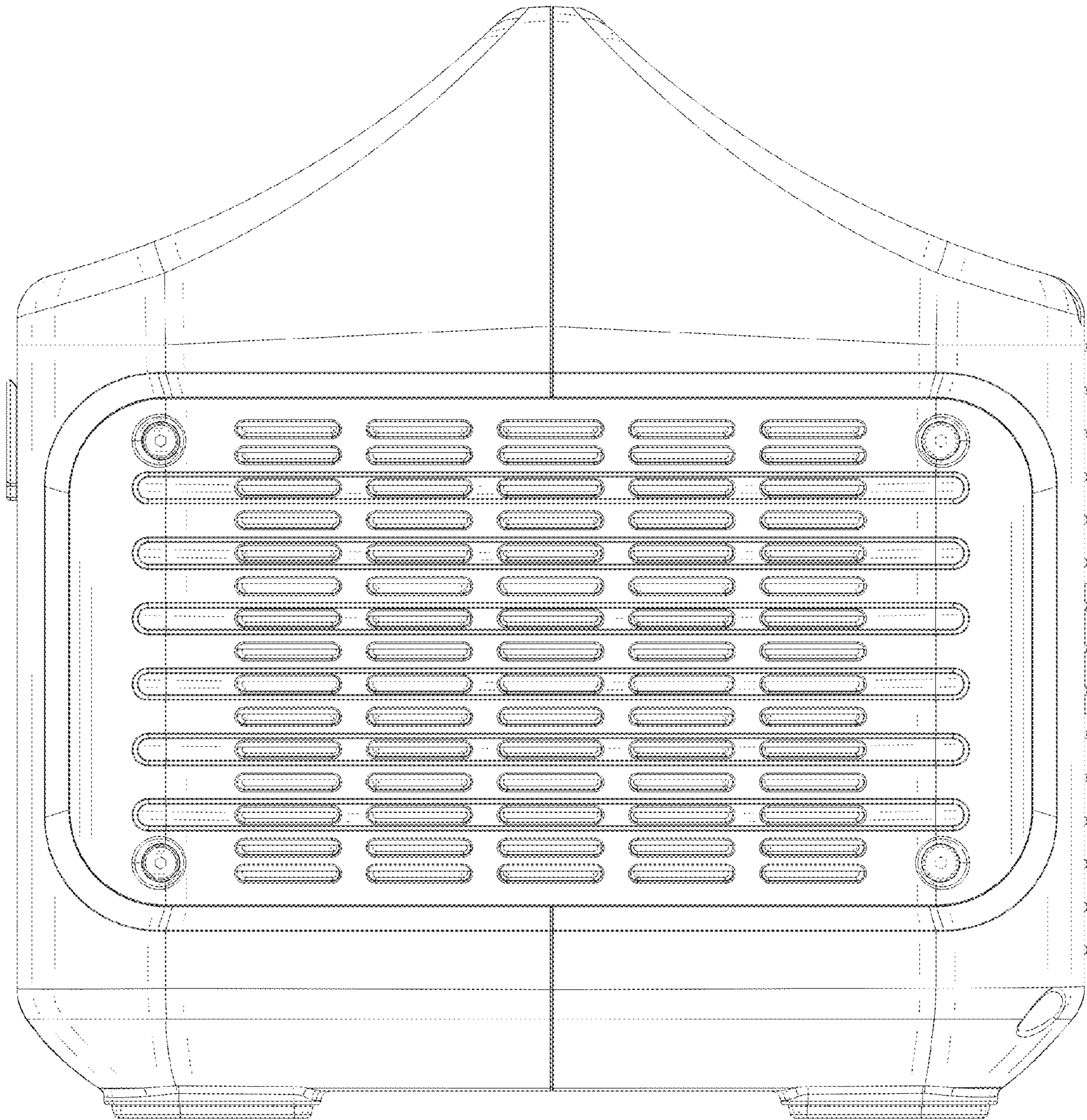


FIG. 6



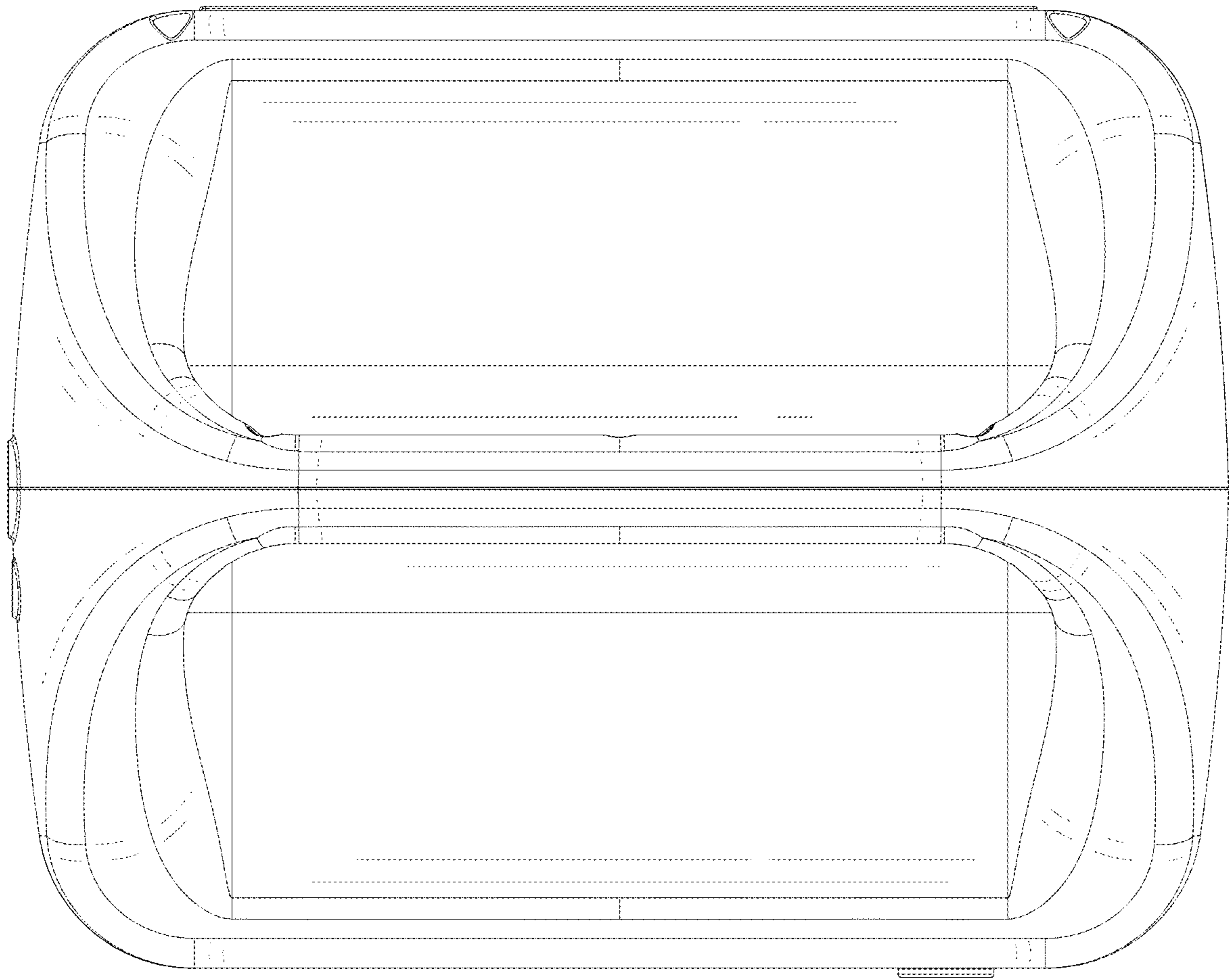


FIG. 7

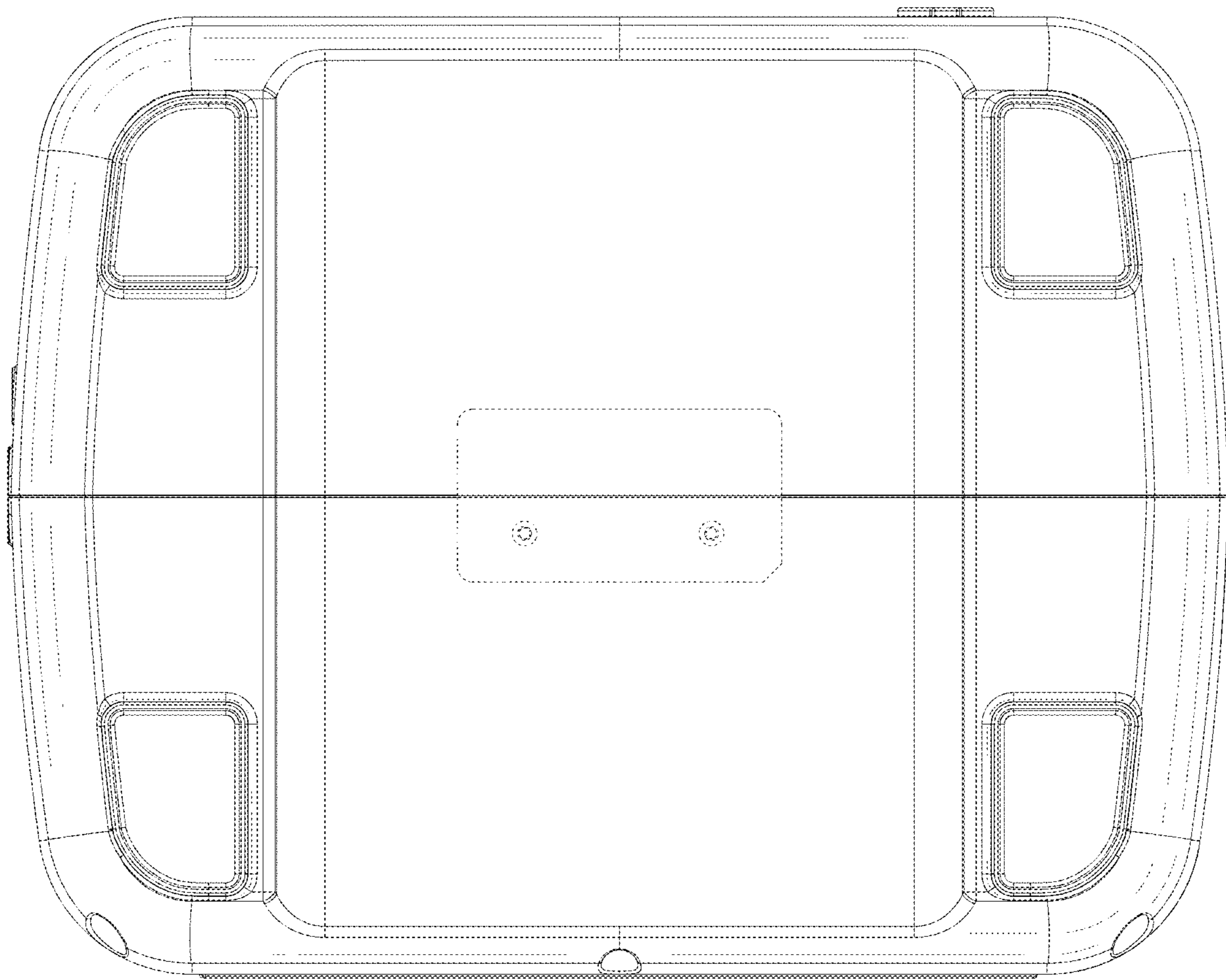


FIG. 8

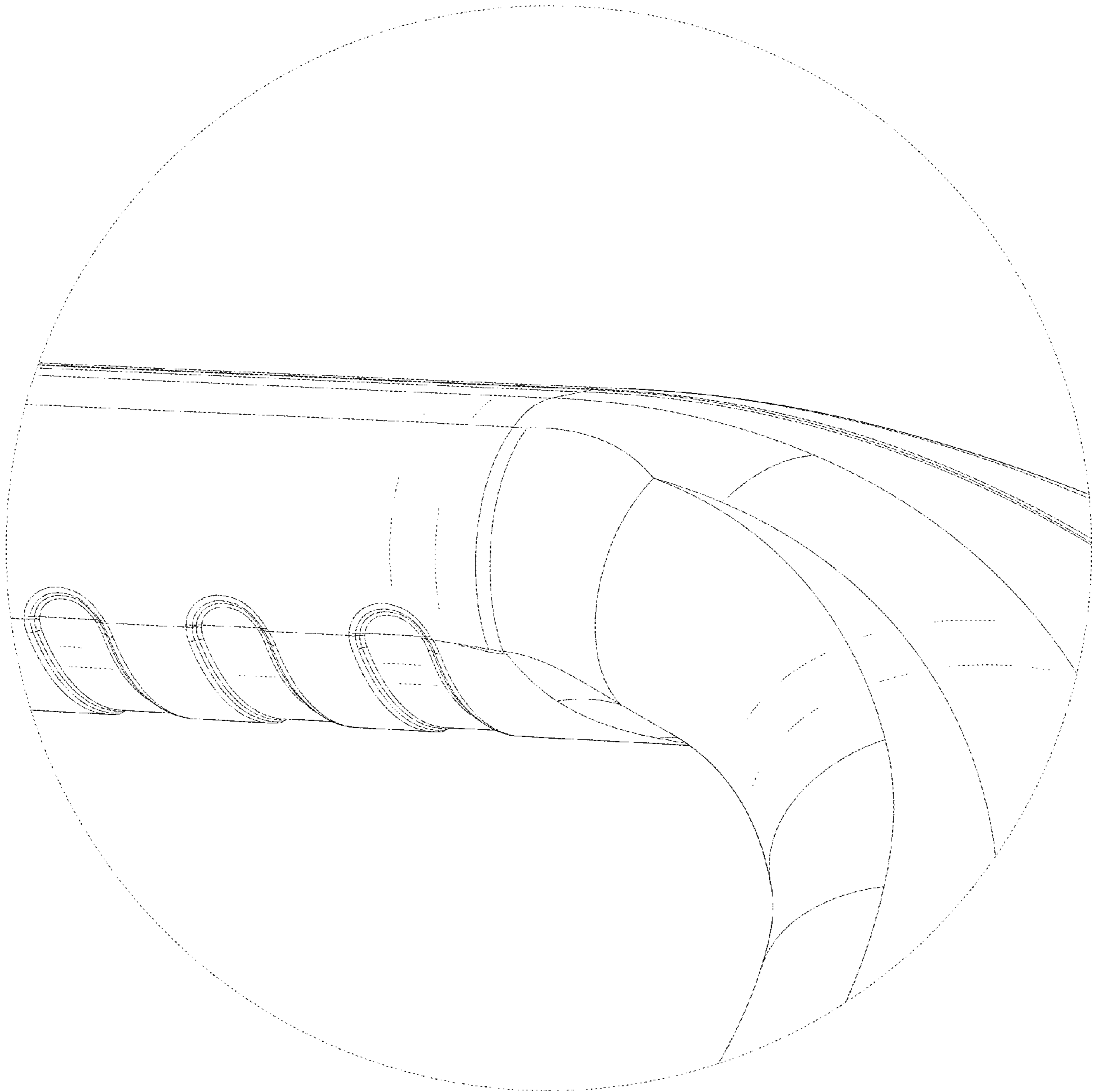


FIG. 9

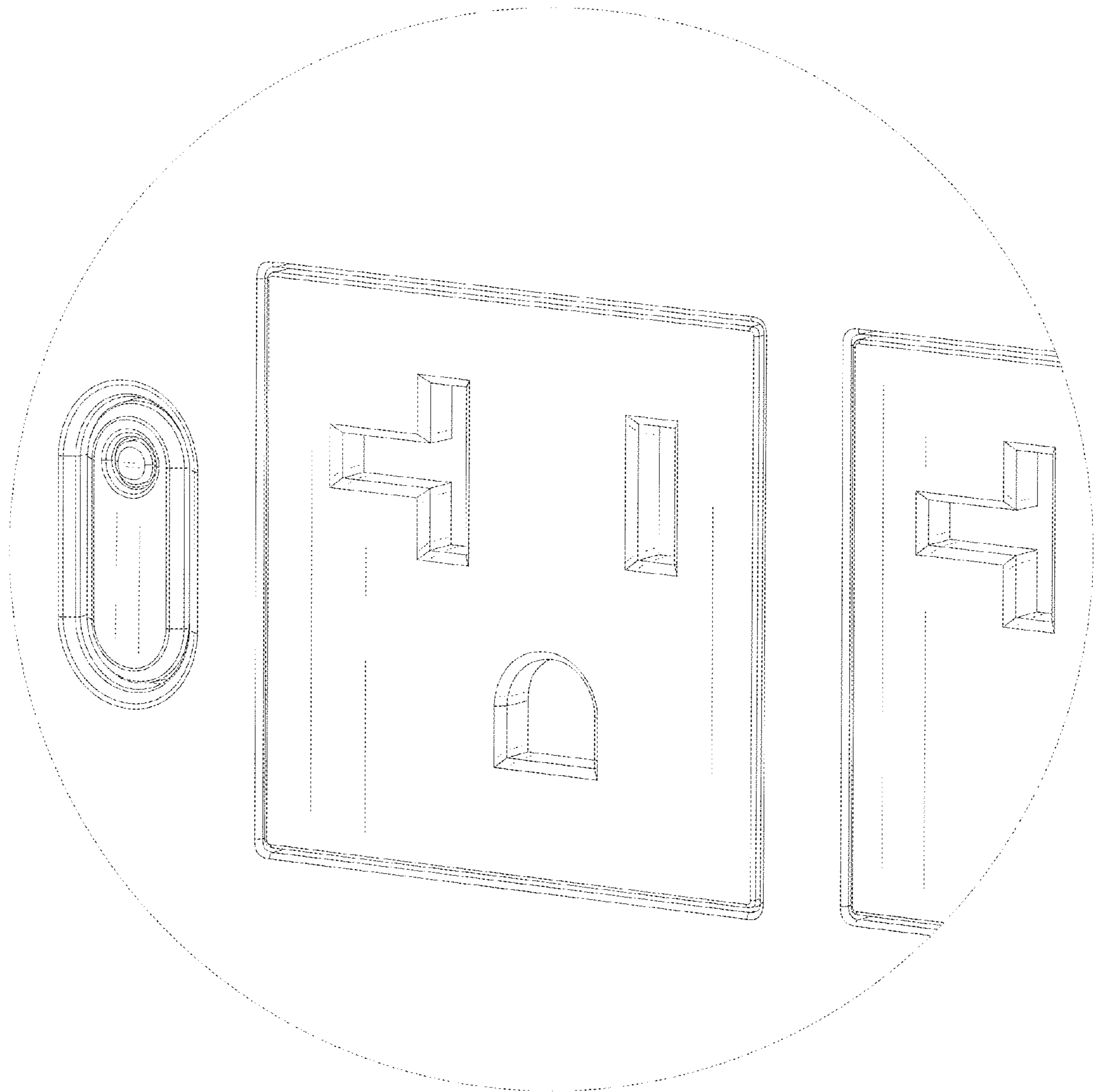


FIG. 10

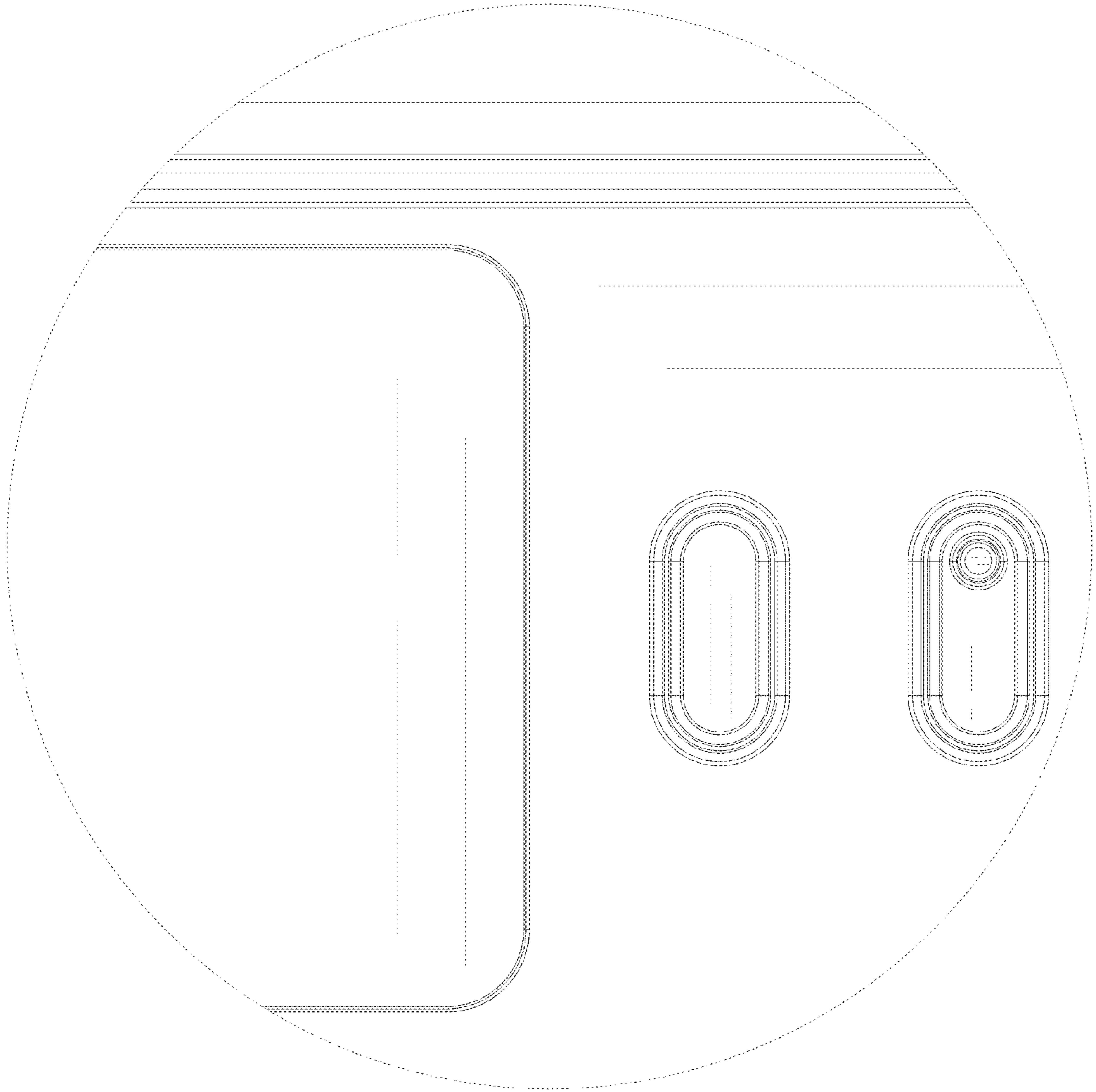


FIG. 11