



US00D971142S

(12) **United States Design Patent**  
**Wu**

(10) **Patent No.:** **US D971,142 S**

(45) **Date of Patent:** **\*\* Nov. 29, 2022**

(54) **WIRELESS CHARGER**

(71) Applicant: **Zhibo Wu**, Xiangyang (CN)

(72) Inventor: **Zhibo Wu**, Xiangyang (CN)

(73) Assignees: **JIANGXI KINGTRON TECHNOLOGY CO.**, Ganzhou (CN);  
**Zhibo Wu**, Guangxi (CN)

(\*\*) Term: **15 Years**

(21) Appl. No.: **29/833,004**

(22) Filed: **Mar. 31, 2022**

(51) **LOC (13) Cl.** ..... **13-02**

(52) **U.S. Cl.**  
USPC ..... **D13/108**

(58) **Field of Classification Search**  
USPC ..... D13/107-108, 110, 118-119, 184, 199;  
D14/251, 253, 432, 434, 447  
CPC .. H02J 7/025; H02J 7/005; H02J 50/00; H02J  
50/10; H02J 50/12; H02J 50/80; H02J  
7/02; H02J 7/0026; H02J 7/0042; H02J  
7/0044; H02J 7/0045; H02J 7/0013; H02J  
7/0003

See application file for complete search history.

(56) **References Cited**

U.S. PATENT DOCUMENTS

D422,556 S *	4/2000	Okura	.....	D13/107
D440,937 S *	4/2001	Germagian	.....	D13/110
D444,121 S *	6/2001	Chun	.....	D13/107
D488,775 S *	4/2004	Richards	.....	D13/107
D552,539 S *	10/2007	Choi	.....	D13/108
D554,064 S *	10/2007	Ng	.....	
D580,855 S *	11/2008	Haspil	.....	D13/108

D605,588 S *	12/2009	Nomi	.....	D13/108
D608,732 S *	1/2010	Hillard	.....	D13/107
D754,600 S *	4/2016	Lin	.....	D13/110
D815,040 S *	4/2018	Lee	.....	D13/110
D917,497 S *	4/2021	Lee	.....	D14/447
D950,563 S *	5/2022	Zhang	.....	D14/434

OTHER PUBLICATIONS

“Qi Wireless Charger JSVER Wireless Charging Stand, Wireless Charger Power Strip with 2 USB Ports 2 Outlet, 10W Fast Charging for iPhone 13/13 Pro Max/12/XR/XS, Galaxy S21/Note 20 (20W Built-in Adapter)”, Amazon.com, first available on Dec. 2, 2019. Retrieved from the internet: <<https://www.amazon.com/JSVER-Wireless-Charger-iPhone-Samsung/dp/B07GZGB1YD/?th=1>>. (Year: 2019).\*

\* cited by examiner

Primary Examiner — Rosemary K Tarcza

(74) Attorney, Agent, or Firm — Justin Lampel

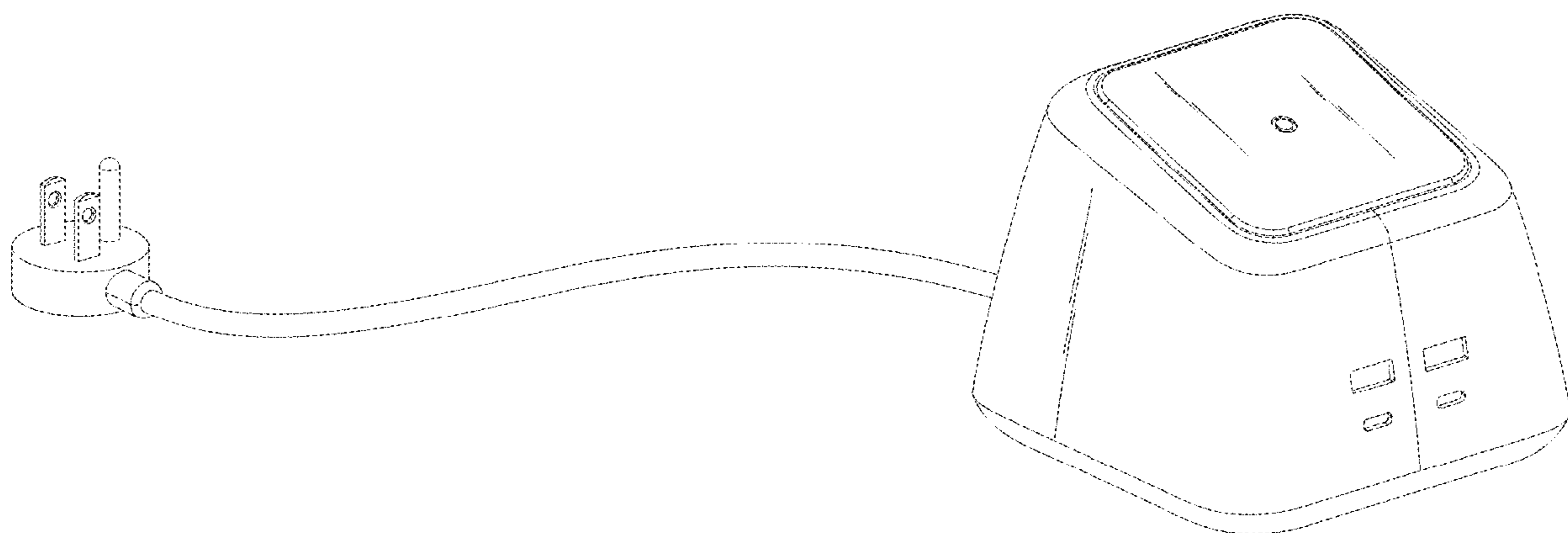
(57) **CLAIM**

The ornamental design for a wireless charger, as shown and described.

**DESCRIPTION**

FIG. 1 is a perspective view of a wireless charger showing my new design;  
FIG. 2 is a top plan view thereof;  
FIG. 3 is a rear elevational view thereof;  
FIG. 4 is a left side view thereof;  
FIG. 5 is a front elevational view thereof;  
FIG. 6 is a right side view thereof; and,  
FIG. 7 is a bottom plan view thereof.  
The broken lines illustrate portions of the wireless charger that form no part of the claimed design.

**1 Claim, 7 Drawing Sheets**



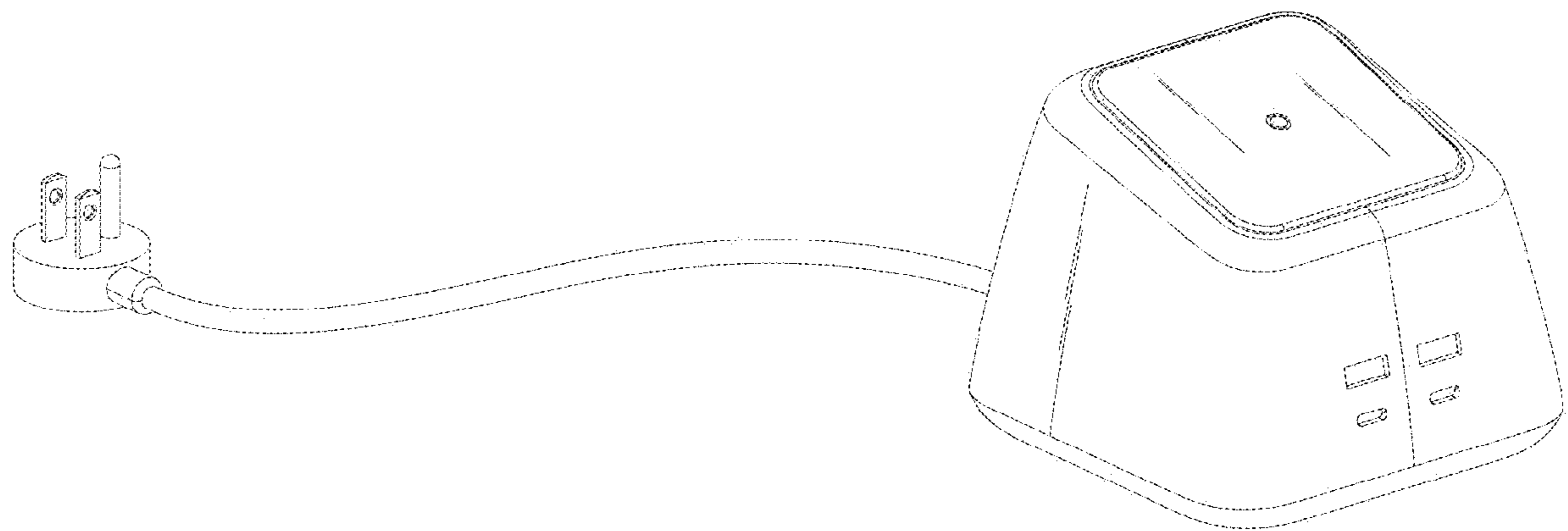


FIG.1

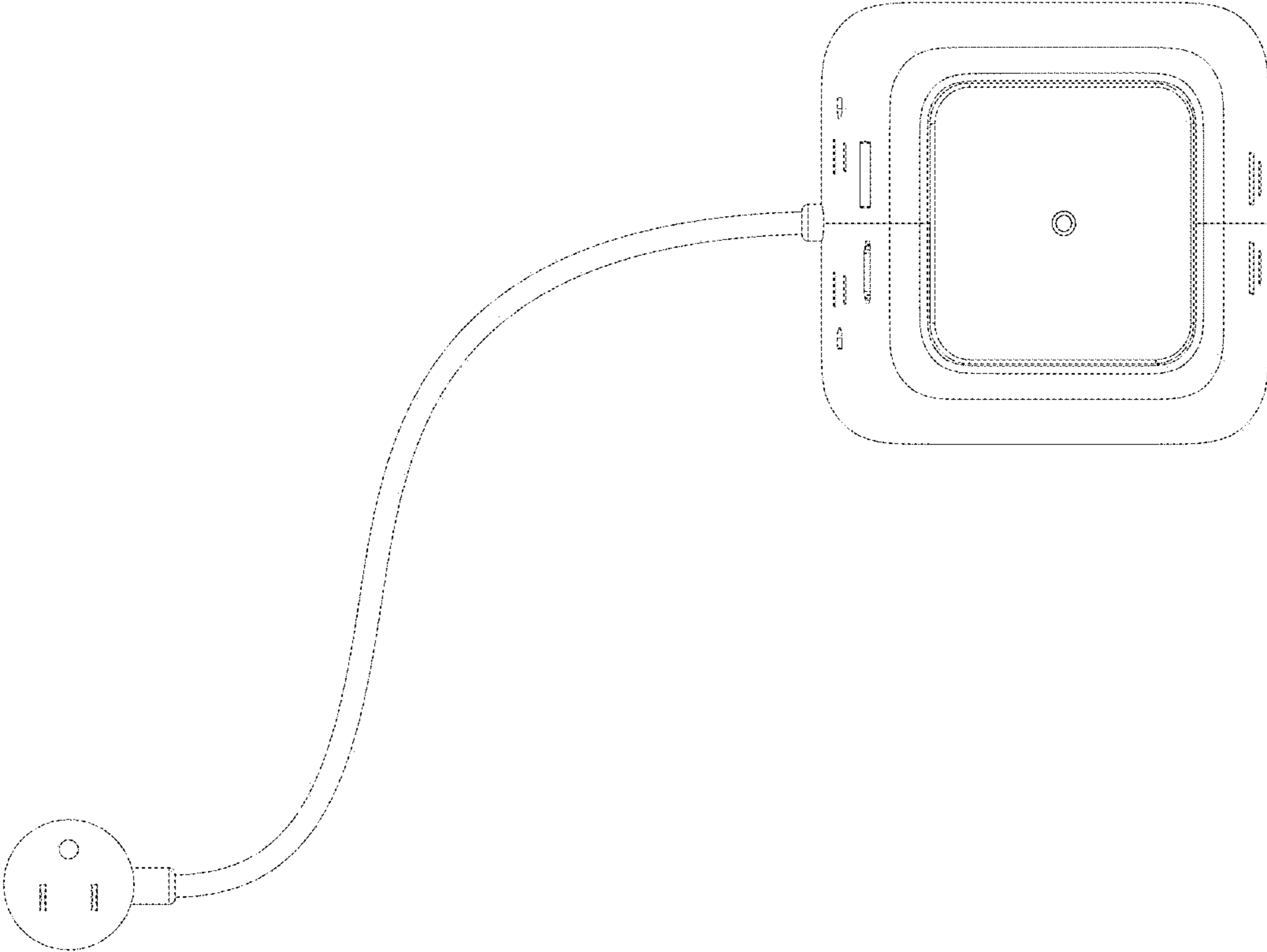


FIG.2

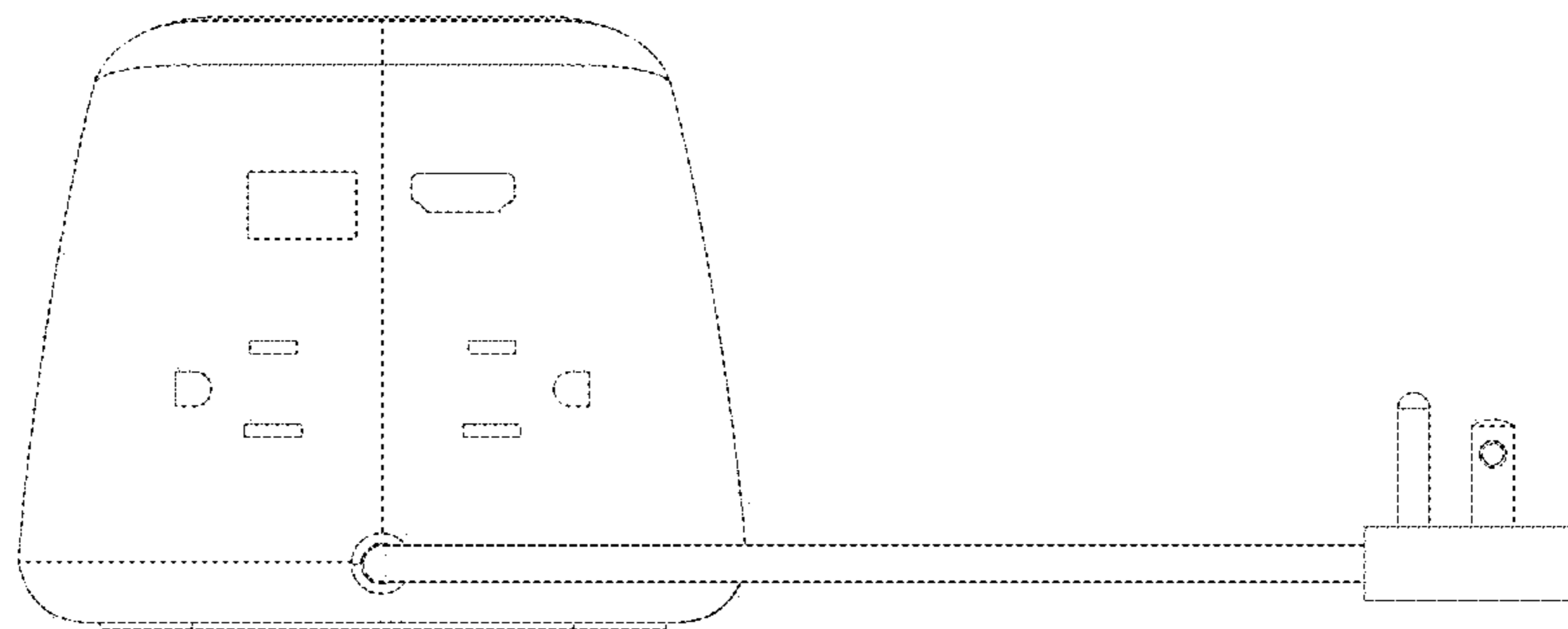


FIG. 3

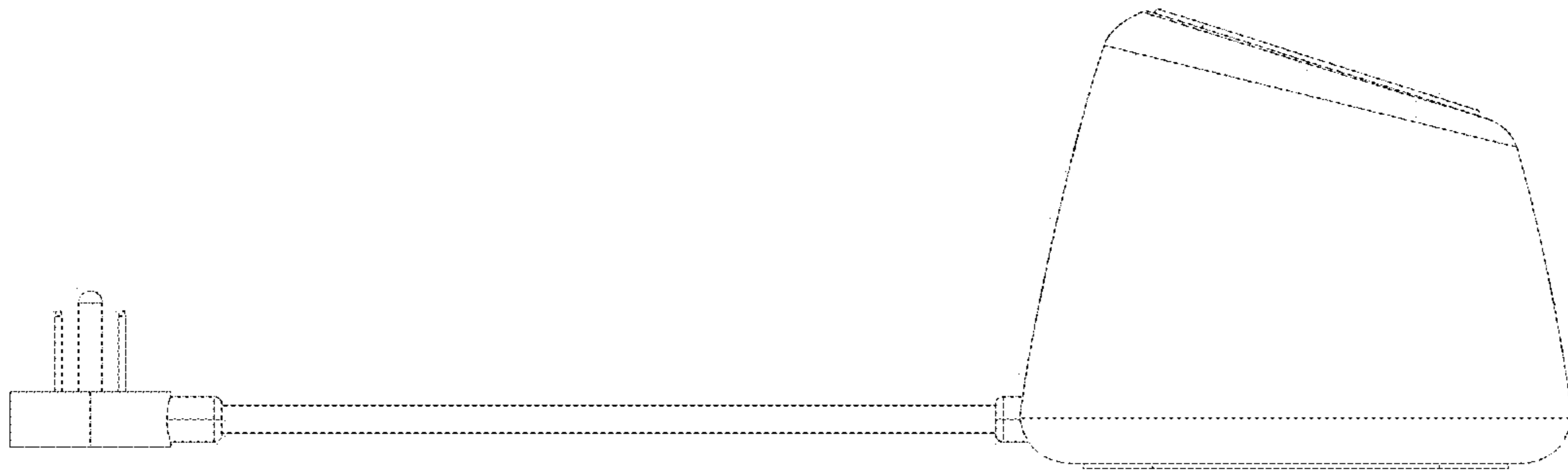


FIG.4

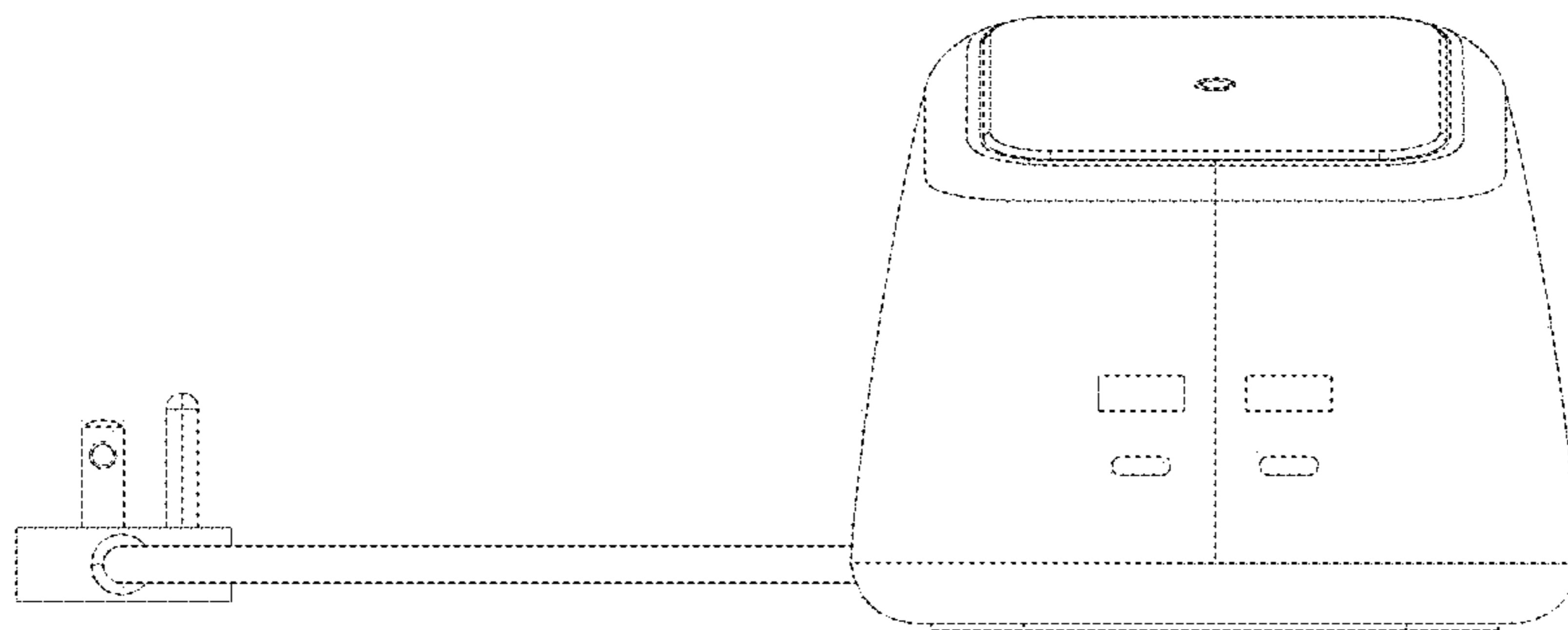


FIG. 5

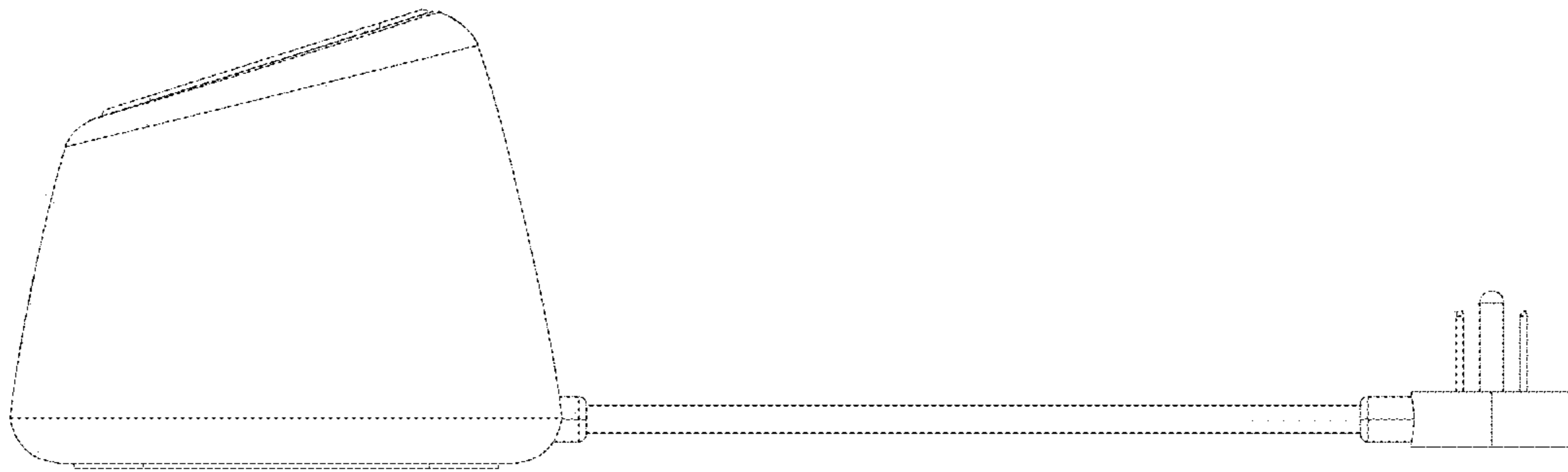


FIG.6

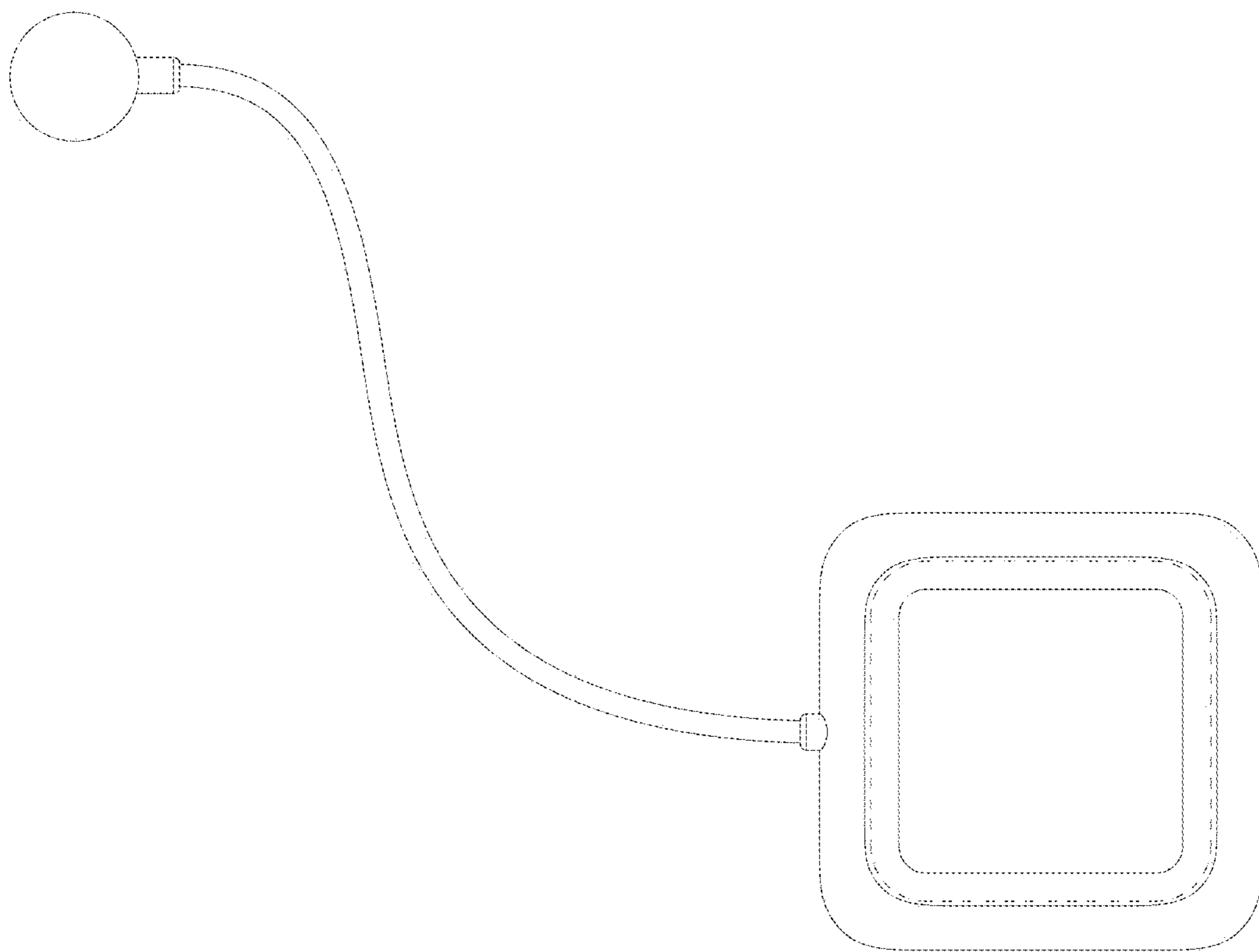


FIG.7