



US00D971140S

(12) **United States Design Patent**
Long

(10) **Patent No.:** **US D971,140 S**
(45) **Date of Patent:** **** Nov. 29, 2022**

(54) **BATTERY CHARGER FOR GAME CONTROLLER**

(71) Applicant: **Weihan Long**, Lianyuan (CN)

(72) Inventor: **Weihan Long**, Lianyuan (CN)

(**) Term: **15 Years**

(21) Appl. No.: **29/818,321**

(22) Filed: **Dec. 8, 2021**

(51) **LOC (13) Cl.** **13-02**

(52) **U.S. Cl.**
USPC **D13/108**

(58) **Field of Classification Search**

USPC D13/103, 107, 108, 110, 118, 151, 153,
D13/154, 155, 184

CPC Y02E 60/10; Y02E 60/50; H01M 50/10;
H01M 50/107; H01M 50/557; H01M
50/209; H01M 50/502; H01M 2220/30;
H02J 7/00; H02J 7/0003; H02J 7/0011;
H02J 7/0013; H02J 7/0054; H02J 7/0055;
H02J 7/0057

See application file for complete search history.

(56) **References Cited**

U.S. PATENT DOCUMENTS

D474,445 S *	5/2003	Matsuoka	D13/103
D823,247 S *	7/2018	Lemelson	D13/103
D839,188 S *	1/2019	Akana	D13/108
D851,032 S *	6/2019	Santos	D13/103
D870,656 S	12/2019	Waldron		
D874,399 S *	2/2020	Lockenwitz	D13/108
D879,038 S *	3/2020	Koike	D13/118
D892,728 S *	8/2020	Pan	D13/107
D940,653 S *	1/2022	Imsand	D13/108
D943,522 S *	2/2022	Feng	D13/108

OTHER PUBLICATIONS

Amazon.com: Dinostrike Charger Station for XboxOne . . . Date first available of Aug. 31, 2021. Retrieved from the internet at

<<https://www.amazon.com/Controller-4x1200mAh-Rechargeable-Batteries-Controllers/dp/B09F3D56FL/>>, Jul. 28, 2022. 1 page. (Year: 2021).*

Amazon.com: Tunrop Rechargeable Battery Packs for Xbox One . . . Date first available of Sep. 18, 2021. Retrieved from the internet at <<https://www.amazon.com/dp/B09GM6KPZ8/>>, Jul. 28, 2022. 1 page. (Year: 2021).*

* cited by examiner

Primary Examiner — Christy Nemeth

(57) **CLAIM**

The ornamental design for a battery charger for game controller, as shown and described.

DESCRIPTION

FIG. 1 is a top perspective view of a battery charger for game controller;

FIG. 2 is a bottom perspective view thereof;

FIG. 3 is a front elevation view thereof;

FIG. 4 is a rear elevation view thereof;

FIG. 5 is a right side elevation view thereof;

FIG. 6 is a left side elevation view thereof;

FIG. 7 is a top plan view thereof;

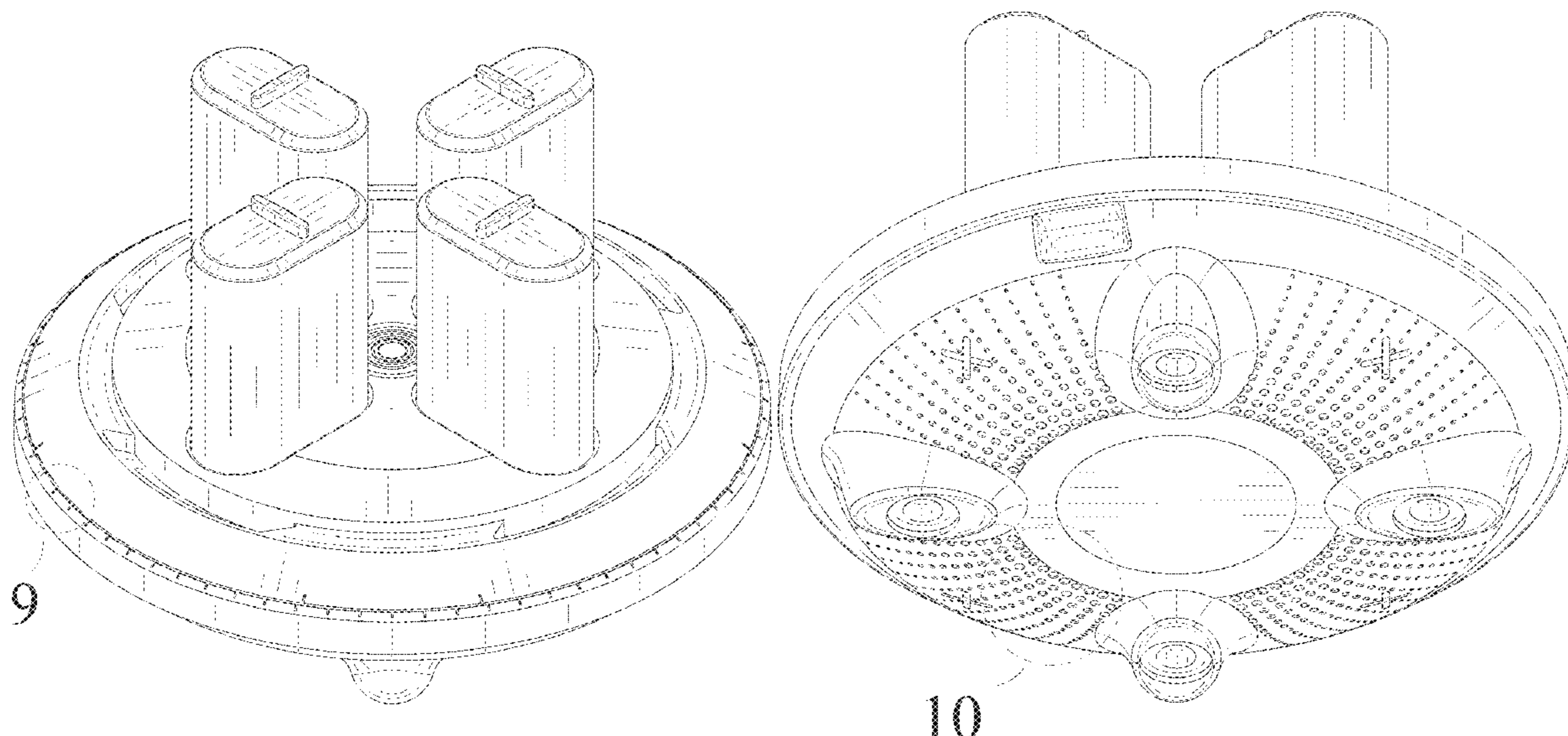
FIG. 8 is a bottom plan view thereof;

FIG. 9 is an enlarged partial view of area '9' circumscribed in FIG. 1; and,

FIG. 10 is an enlarged partial view of area '10' circumscribed in FIG. 2.

The dash-dash broken lines in the drawings illustrate the portions of the battery charger for game controller that form no part of the claimed design. The dash-dot broken lines in the drawings illustrate the bounds of the portions shown enlarged in the drawings, and form no part of the claimed design.

1 Claim, 10 Drawing Sheets



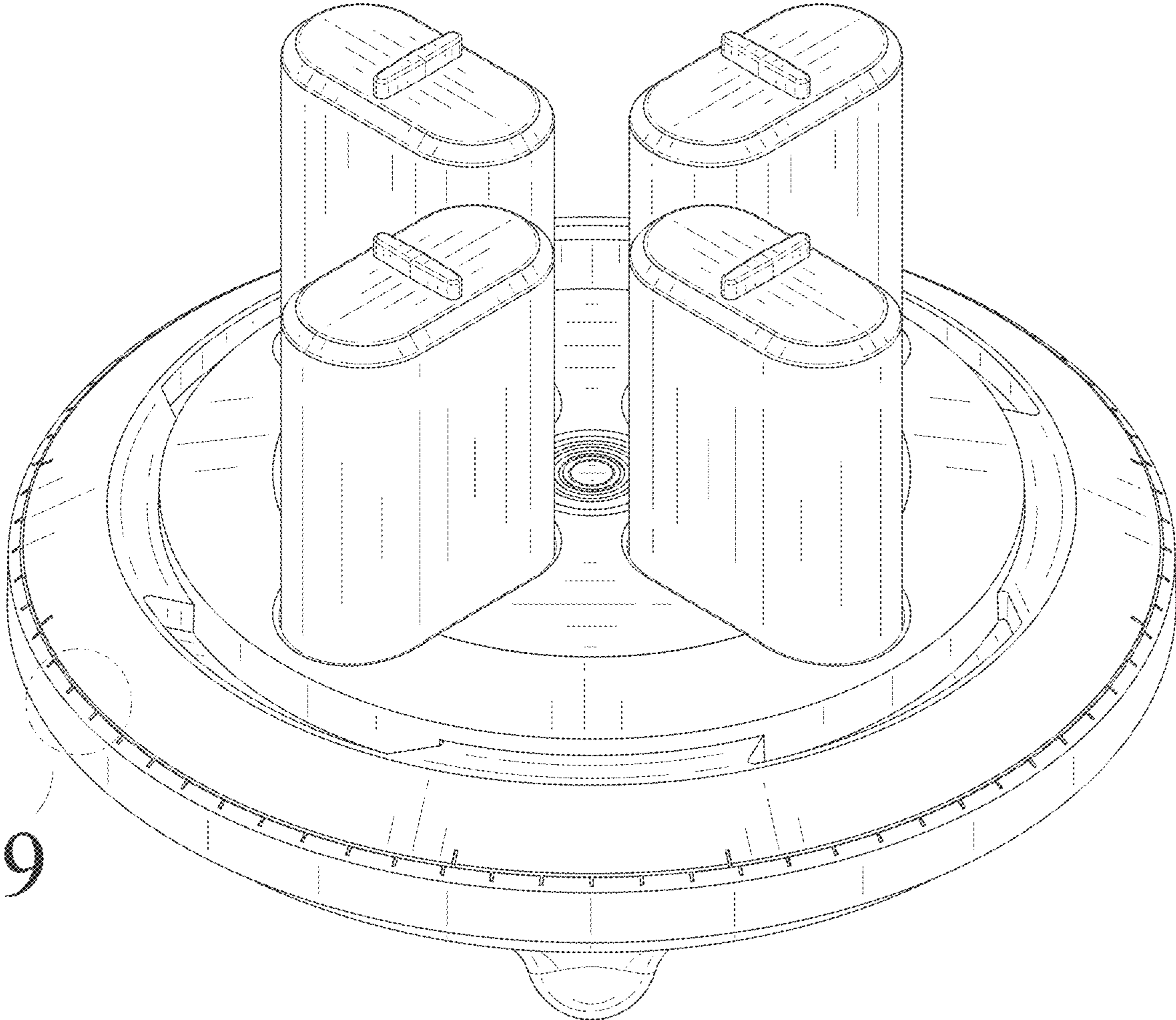


FIG. 1

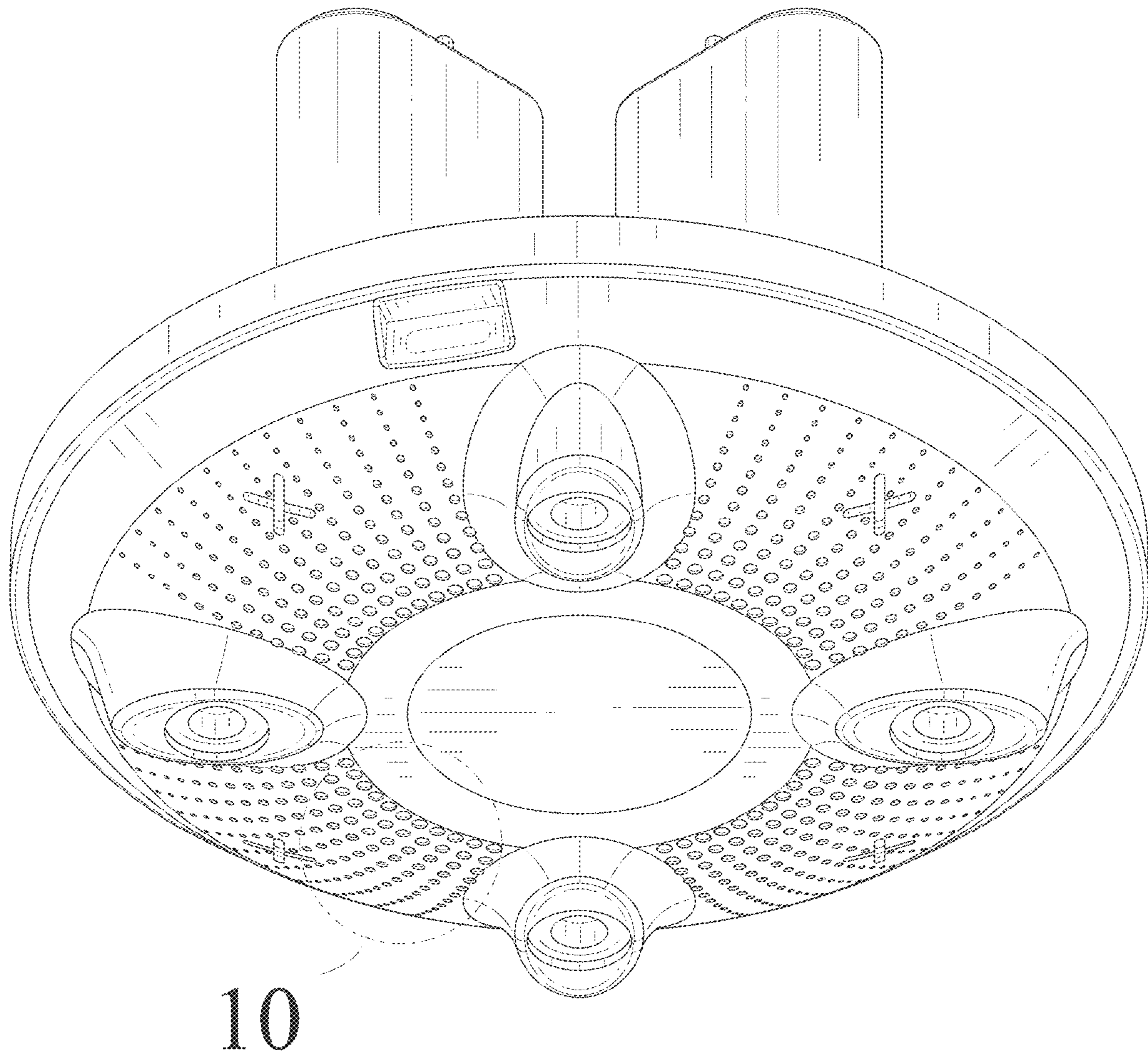


FIG.2

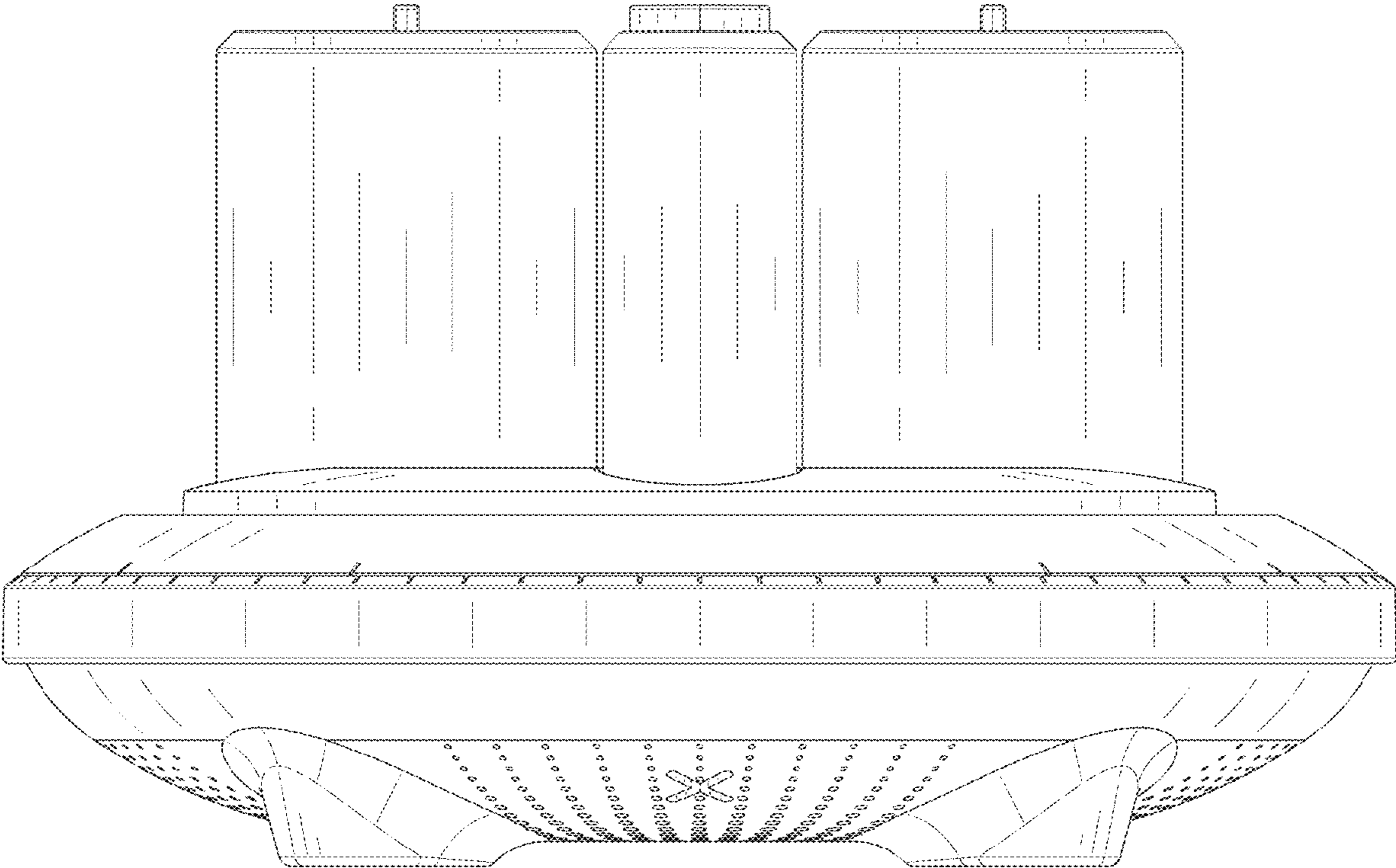


FIG.3

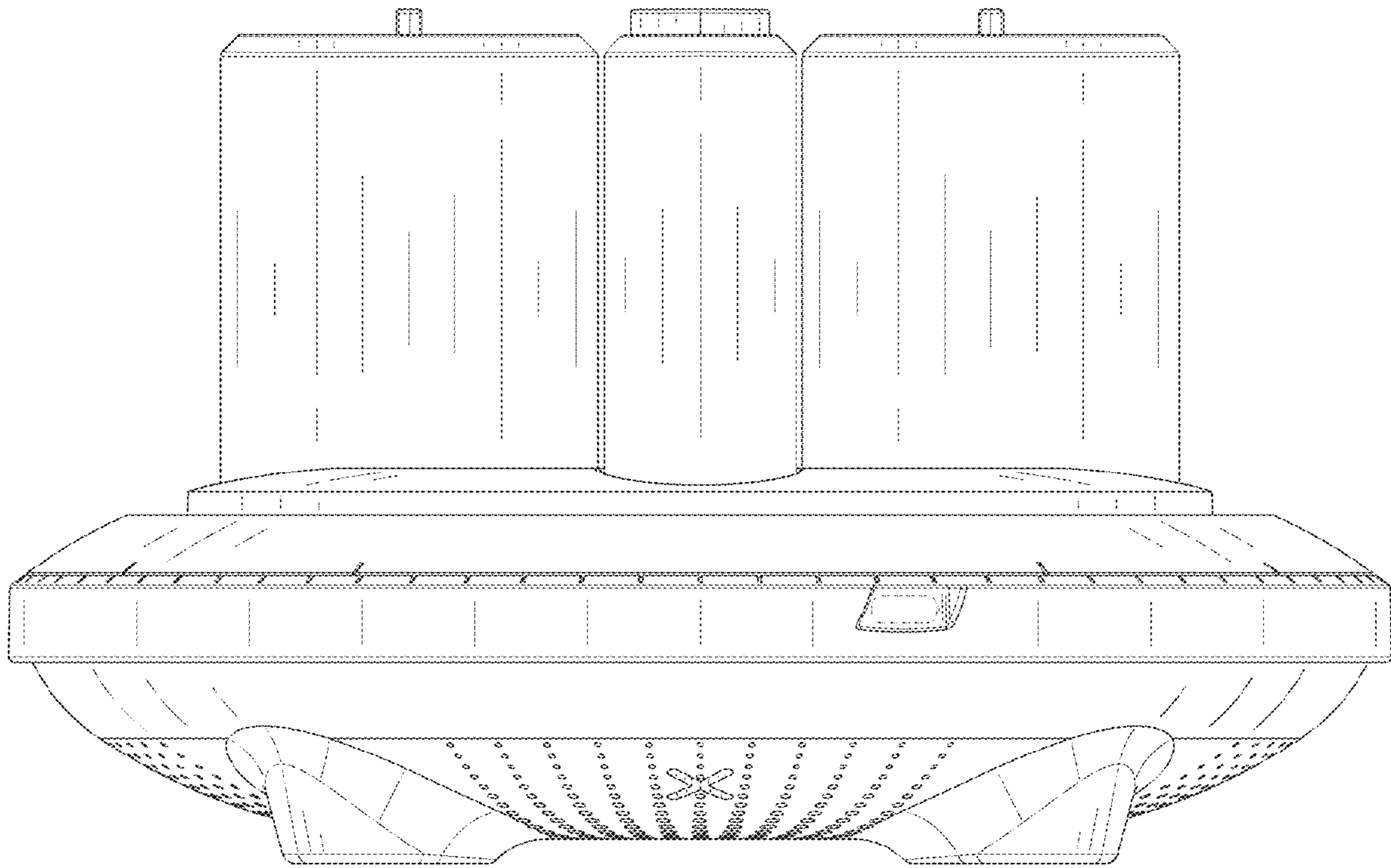


FIG.4

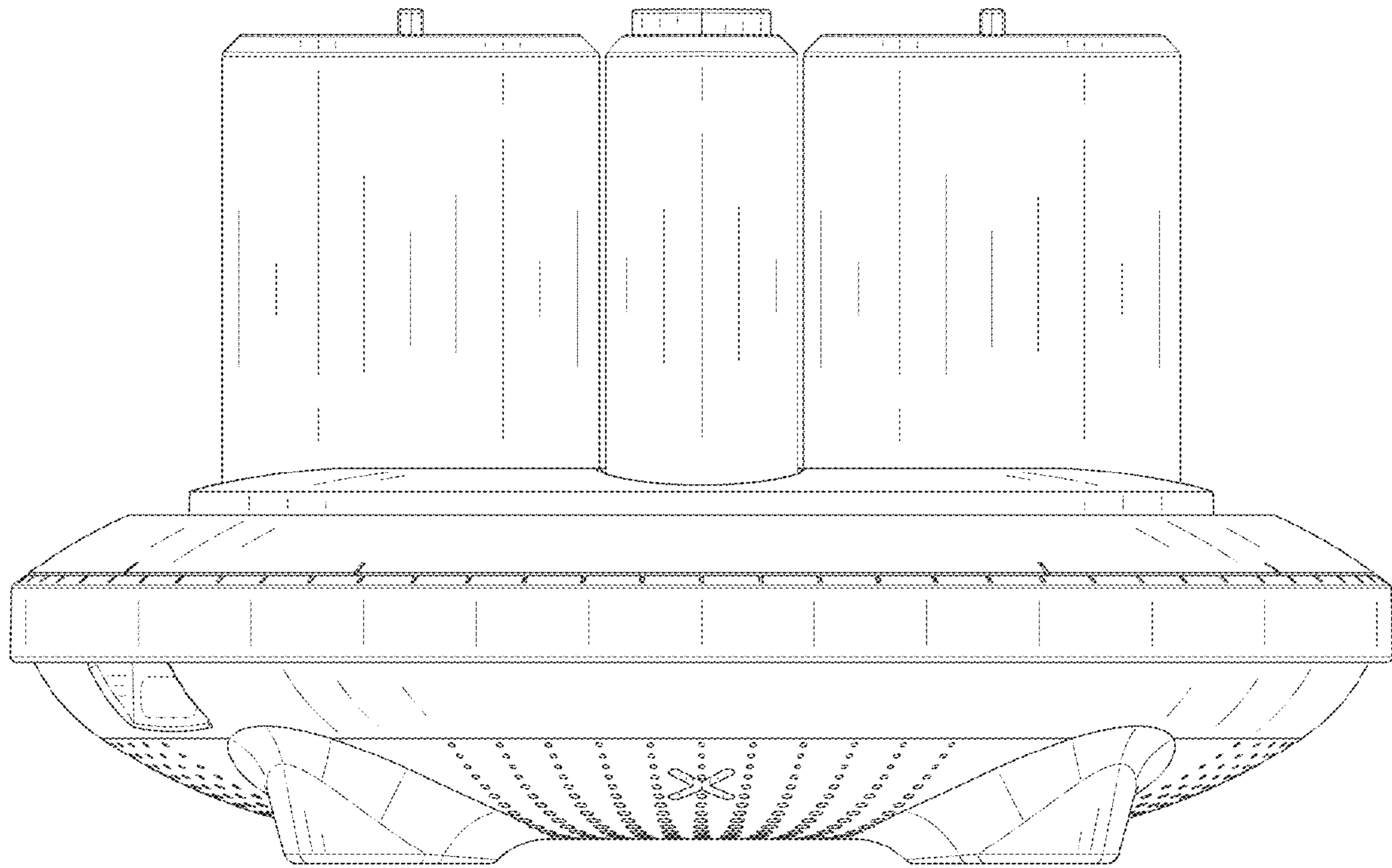


FIG.5

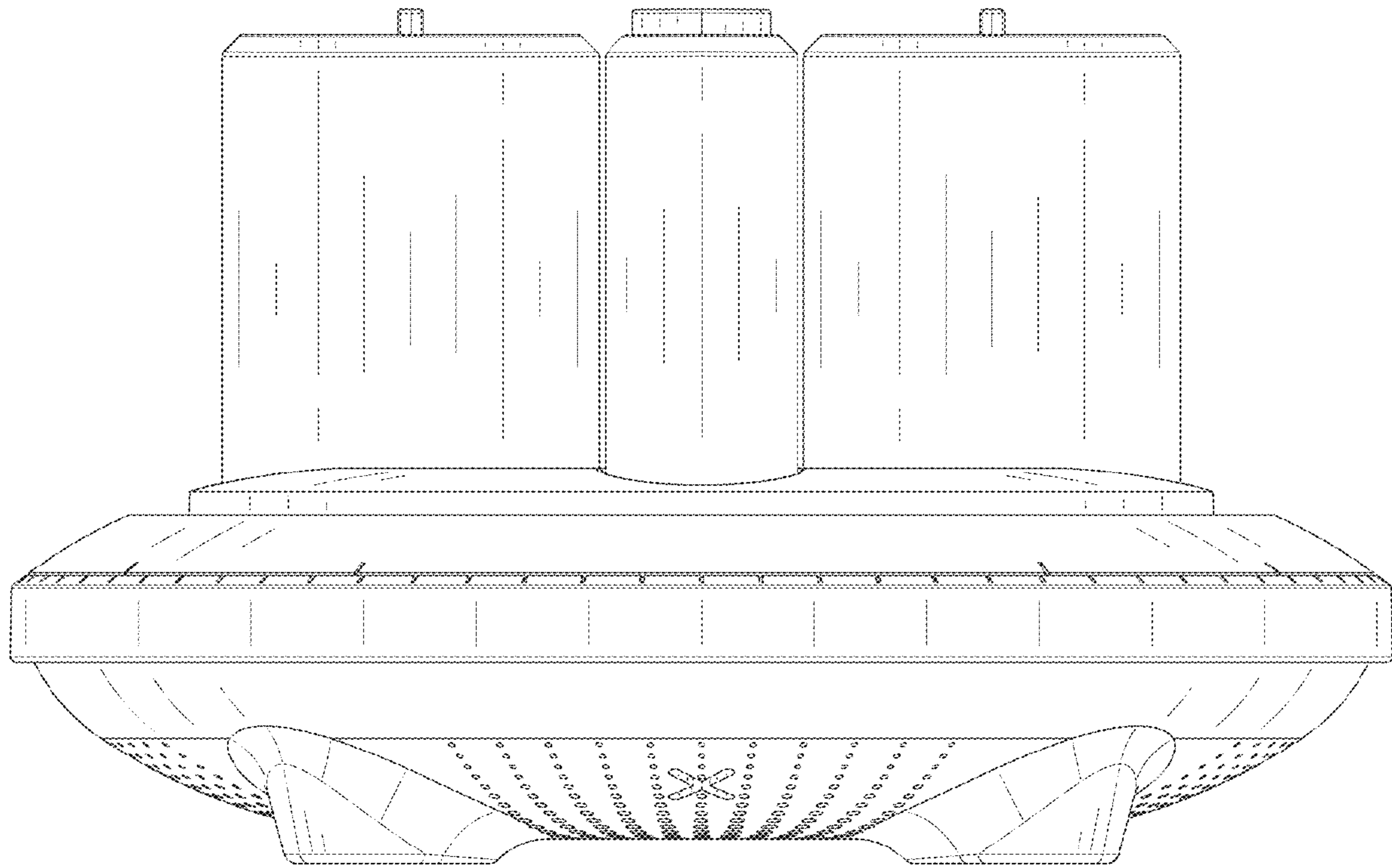


FIG.6

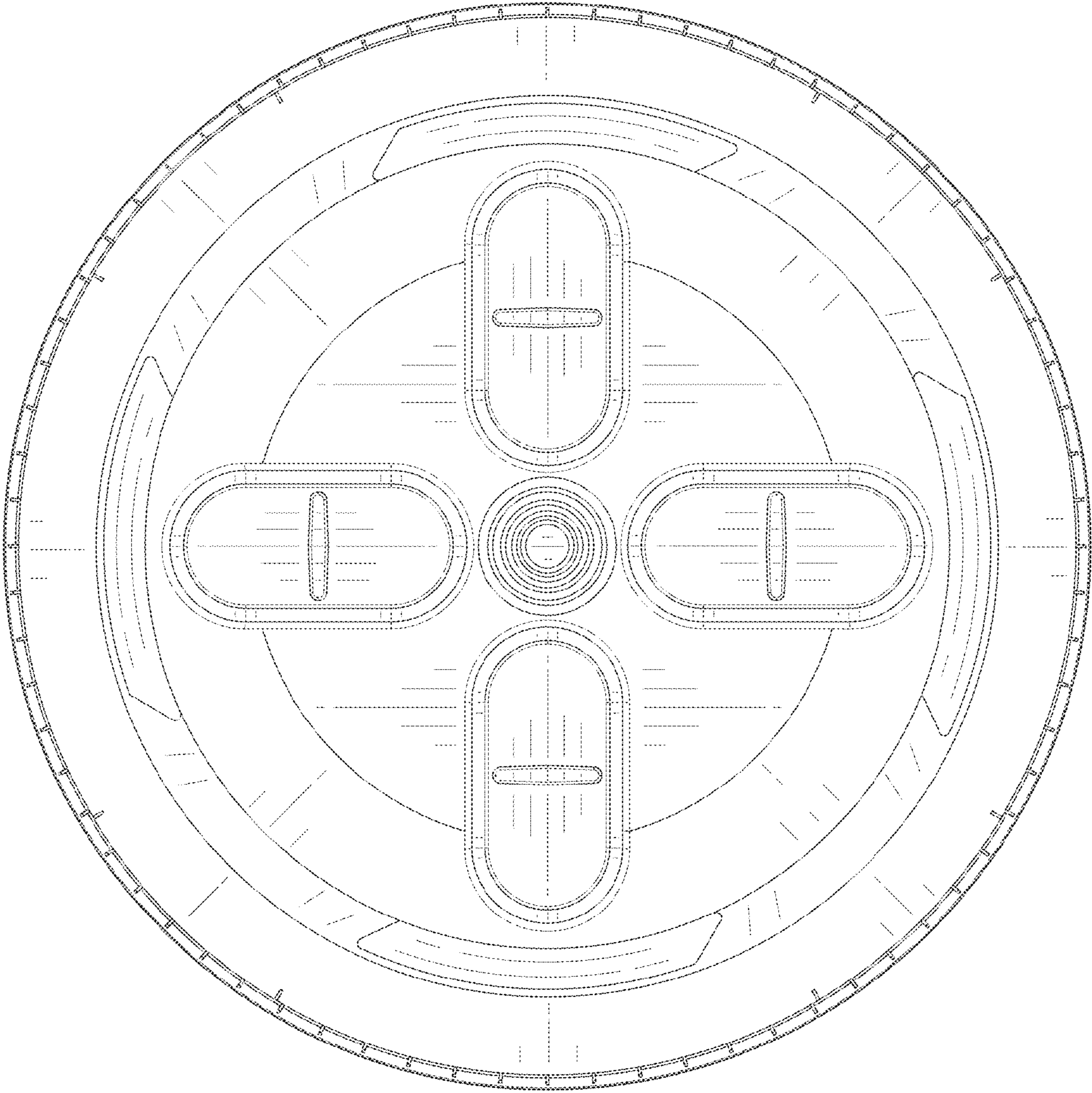


FIG. 7

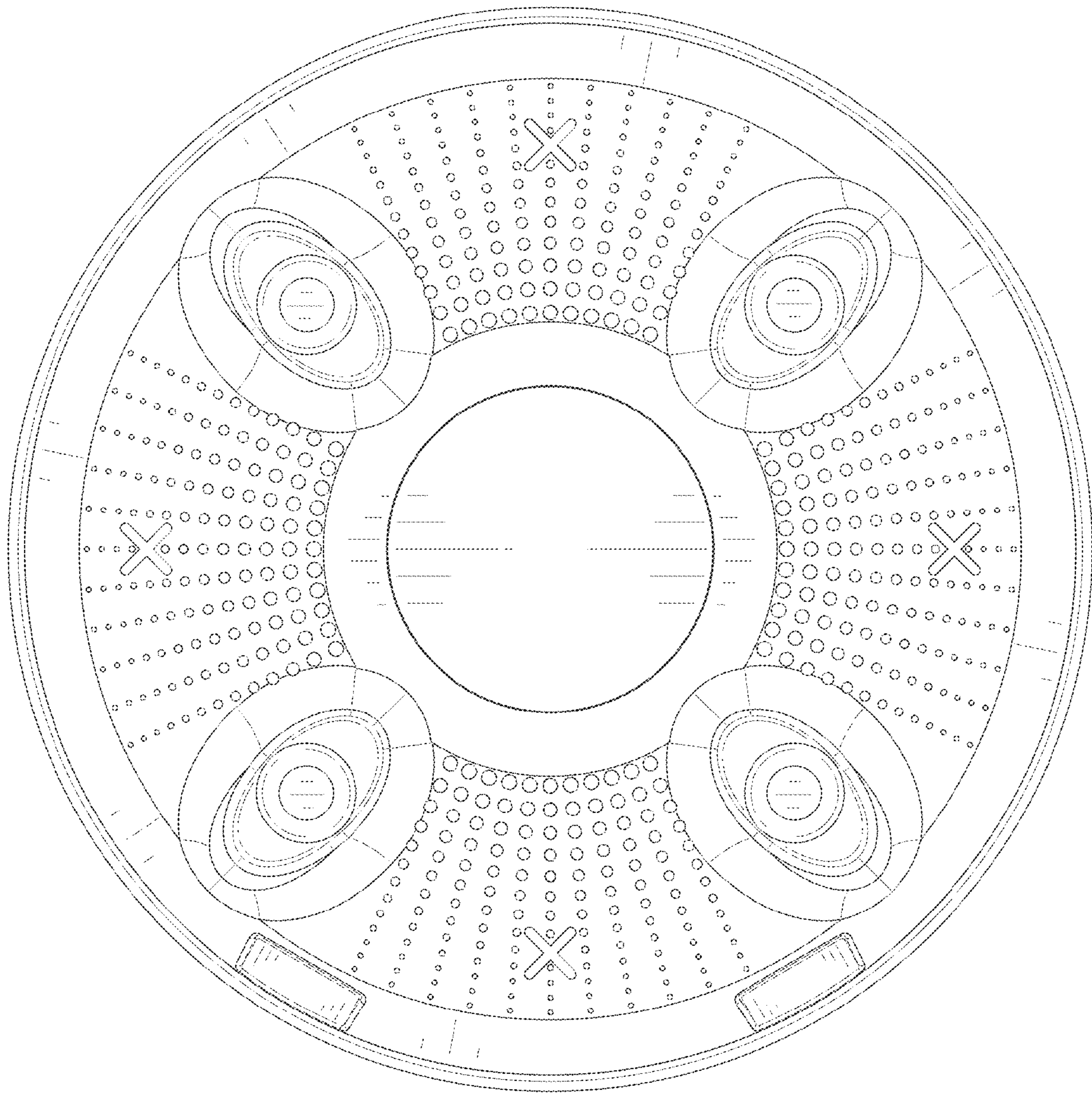


FIG.8

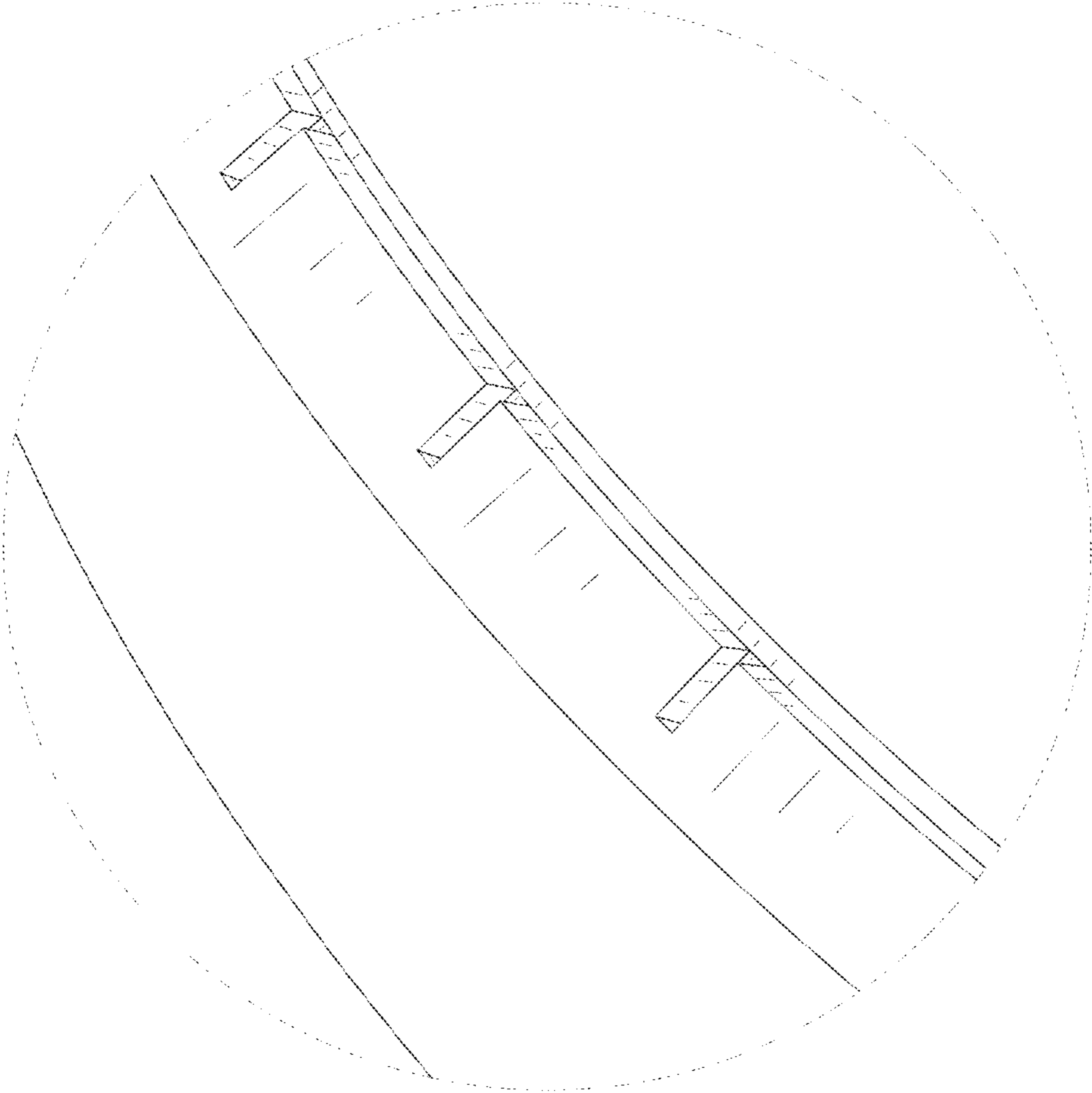


FIG.9

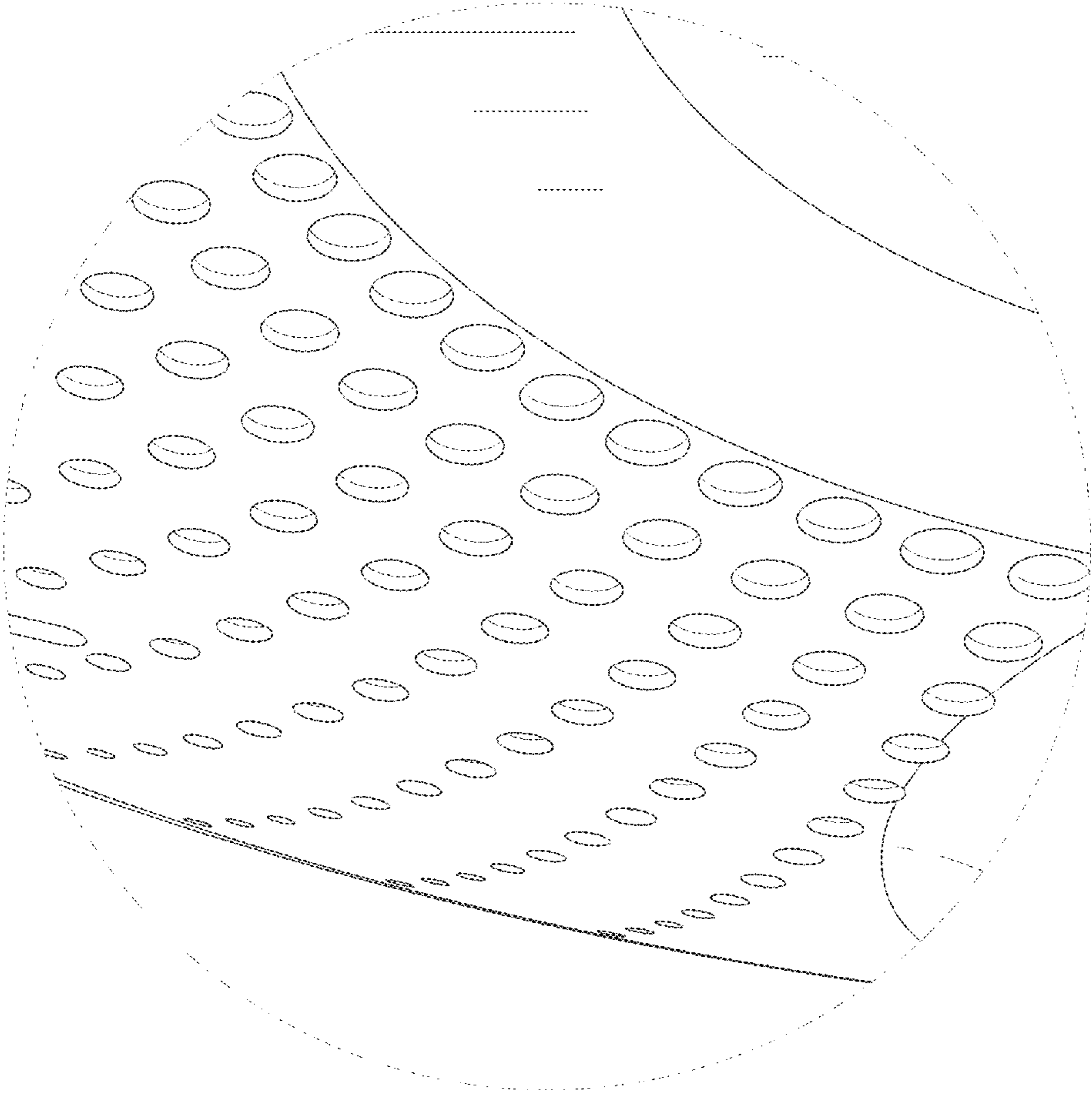


FIG. 10