



US00D971139S

(12) **United States Design Patent**
Lin

(10) **Patent No.:** **US D971,139 S**

(45) **Date of Patent:** **** Nov. 29, 2022**

(54) **CHARGER**

(71) Applicant: **Shenzhen You And I Electronics Co., Ltd.**, Shenzhen (CN)

(72) Inventor: **Qinghai Lin**, Maoming (CN)

(**) Term: **15 Years**

(21) Appl. No.: **29/795,122**

(22) Filed: **Jun. 16, 2021**

(51) **LOC (13) Cl.** **13-02**

(52) **U.S. Cl.**

USPC **D13/108**

(58) **Field of Classification Search**

USPC D13/103, 107, 108, 118, 119, 184, 199;
D14/251, 252, 253, 432, 433, 434, 439,
D14/447

CPC H02J 15/00; H02J 7/0027; H01M 10/00
See application file for complete search history.

(56) **References Cited**

U.S. PATENT DOCUMENTS

D621,346 S *	8/2010	Navid	D13/108
D733,156 S *	6/2015	Choi	D14/447
D762,650 S *	8/2016	Dang	D14/434
9,843,214 B2 *	12/2017	Peek	H02J 50/90
D851,587 S *	6/2019	Schmidt	D13/108
D884,622 S *	5/2020	Huang	D13/108
D886,056 S	6/2020	Zhang		
D889,403 S	7/2020	Li et al.		
D920,237 S	5/2021	Huang et al.		
D920,908 S *	6/2021	Qiu	D13/108
D928,703 S *	8/2021	Liao	D13/108
D934,794 S *	11/2021	Brisebras	D13/108
D942,389 S *	2/2022	Sun	D13/108
D951,864 S *	5/2022	Chen	D13/108
2016/0261139 A1 *	9/2016	Kidakarn	H02J 50/10
2020/0185952 A1 *	6/2020	Morrow	H02J 50/005

OTHER PUBLICATIONS

“Magnetic Wireless Charger”. Found online Apr. 14, 2022 at squareimports.com. Reference dated Feb. 19, 2021. Retrieved from <https://www.squareimports.com/products/3-in-1-magnetic-wireless-charger-stand-dock-for-apple-devices> (Year: 2021).*

“Belkin Boost Charge Pro 3-in-1 15W Wireless Charger”. Found online Mar. 8, 2022 at bhphotovideo.com. Reference dated Oct. 22, 2020. Retrieved from https://www.bhphotovideo.com/c/product/1617699-REG/belkin_wiz009ttbk_boost_charge_pro_3_in_1.html/reviews. (Year: 2020).*

“Swift 3 in 1 Wireless Charger”. Found online Mar. 8, 2022 at evolvedchargers.com. Reference dated Apr. 27, 2021. Retrieved from <https://evolvedchargers.com/products/3-in-1-wireless-charger-swift>. (Year: 2021).*

* cited by examiner

Primary Examiner — Kendra Leslie Hamilton

Assistant Examiner — Amanda Christensen

(74) *Attorney, Agent, or Firm* — Rumit R. Kanakia

(57) **CLAIM**

The ornamental design for a charger, as shown and described.

DESCRIPTION

FIG. 1 is a first perspective view of a charger showing my new design;

FIG. 2 is a second perspective view thereof;

FIG. 3 is a front view thereof;

FIG. 4 is a back view thereof;

FIG. 5 is a left side view thereof;

FIG. 6 is a right side view thereof;

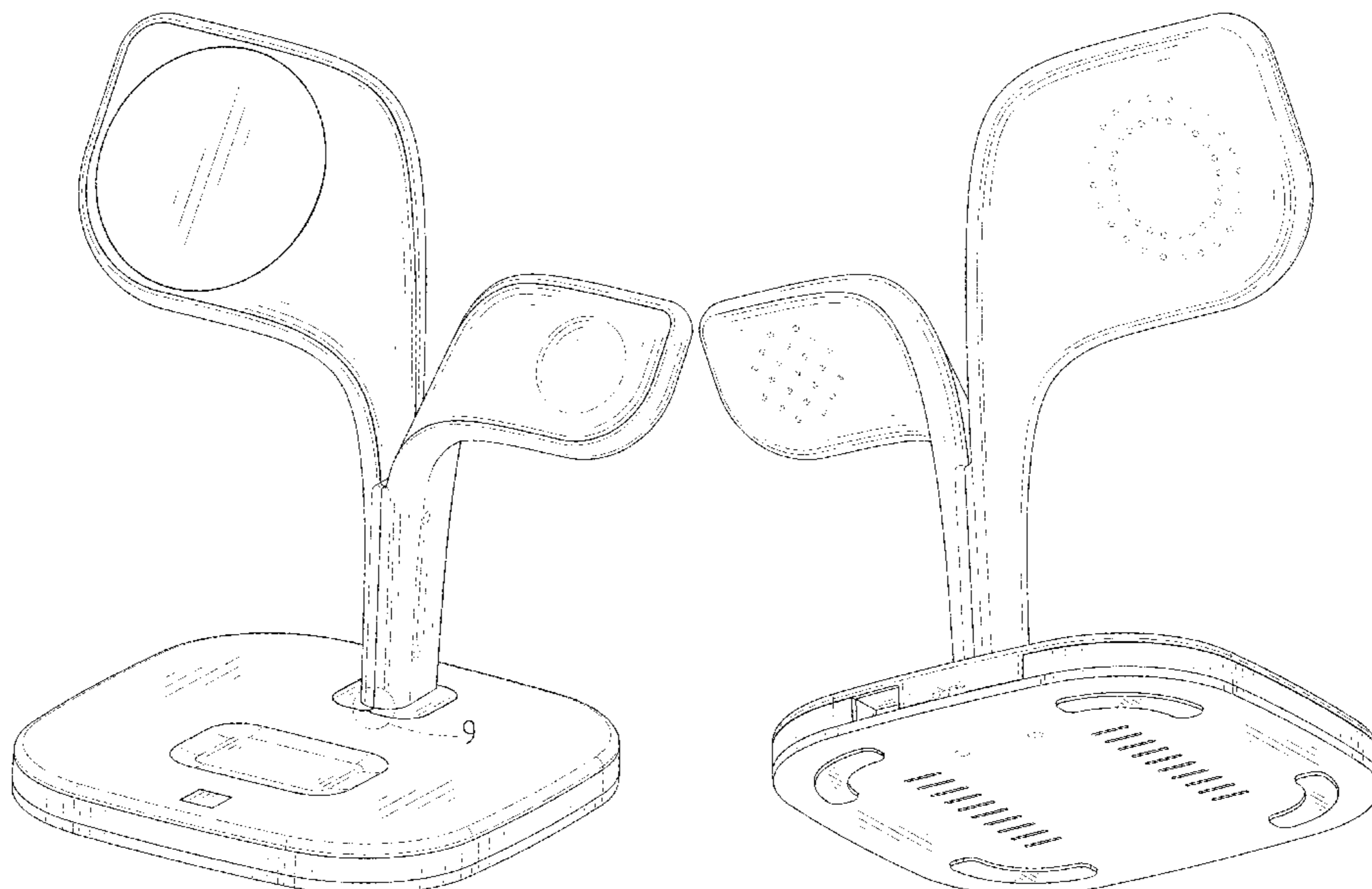
FIG. 7 is a top view thereof;

FIG. 8 is a bottom view thereof; and,

FIG. 9 is an enlarged view of the selected portion in FIG. 1.

The broken lines shown in the drawings depict portions of the charger that form no part of the claimed design.

1 Claim, 9 Drawing Sheets



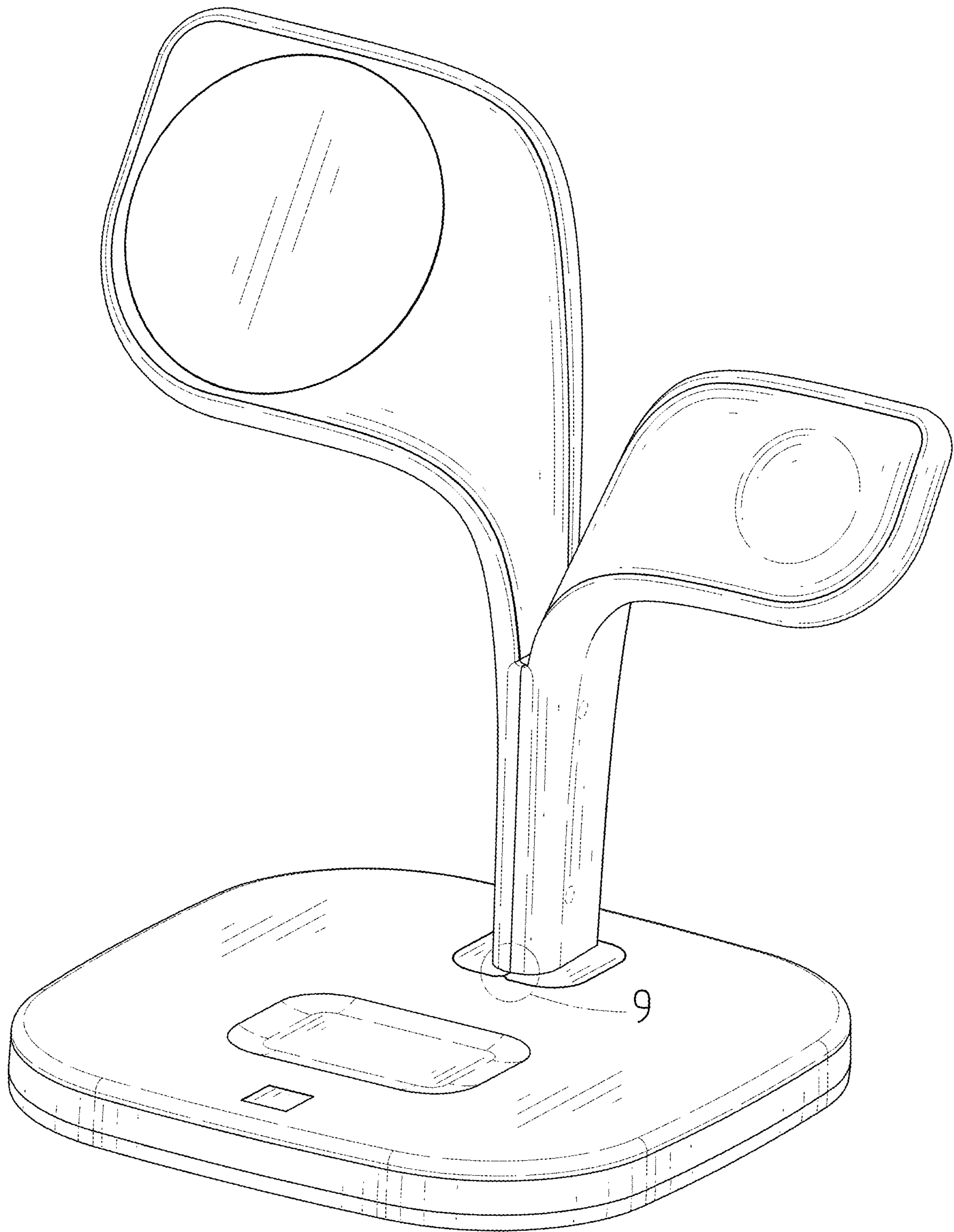


FIG. 1

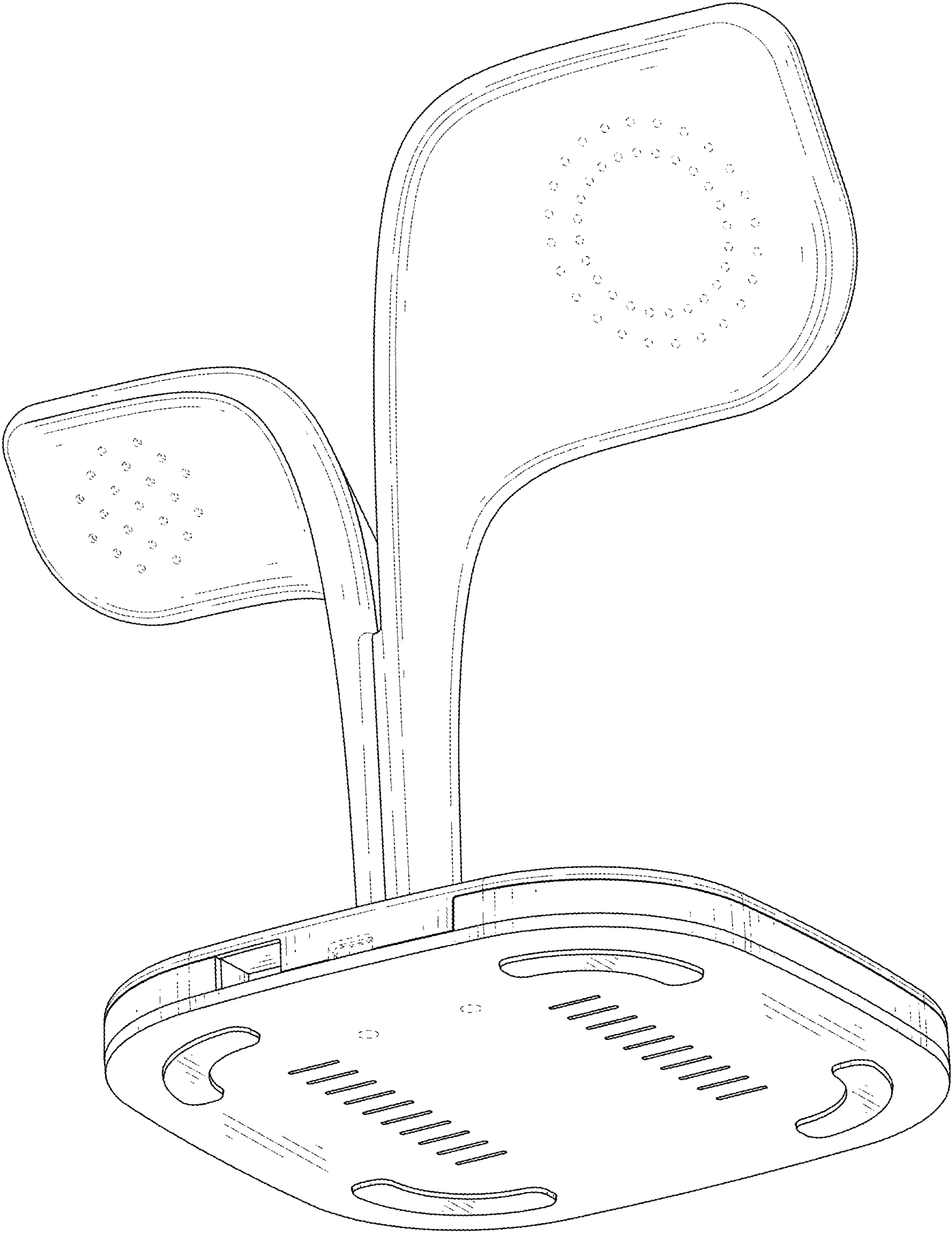


FIG. 2

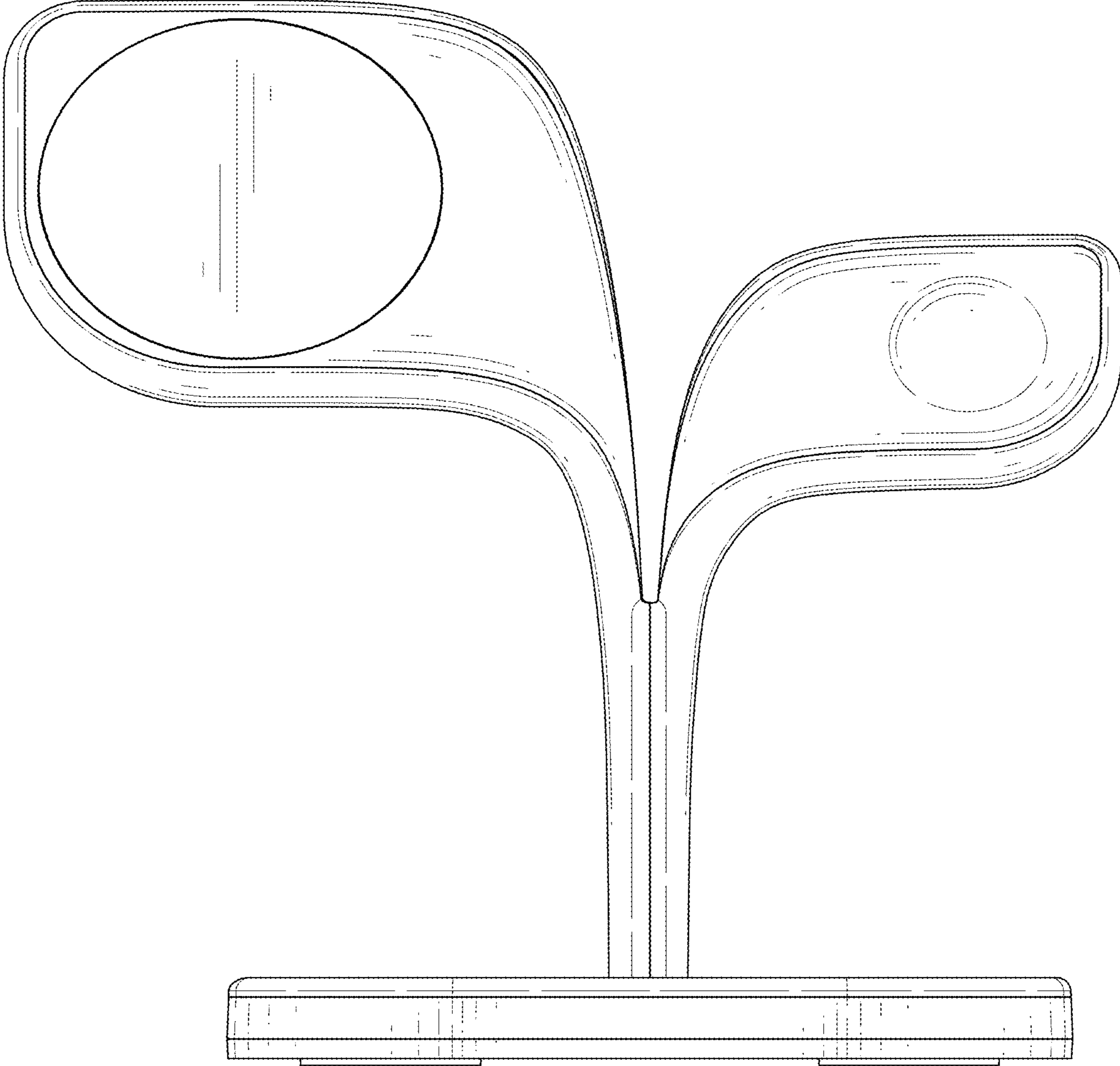


FIG. 3

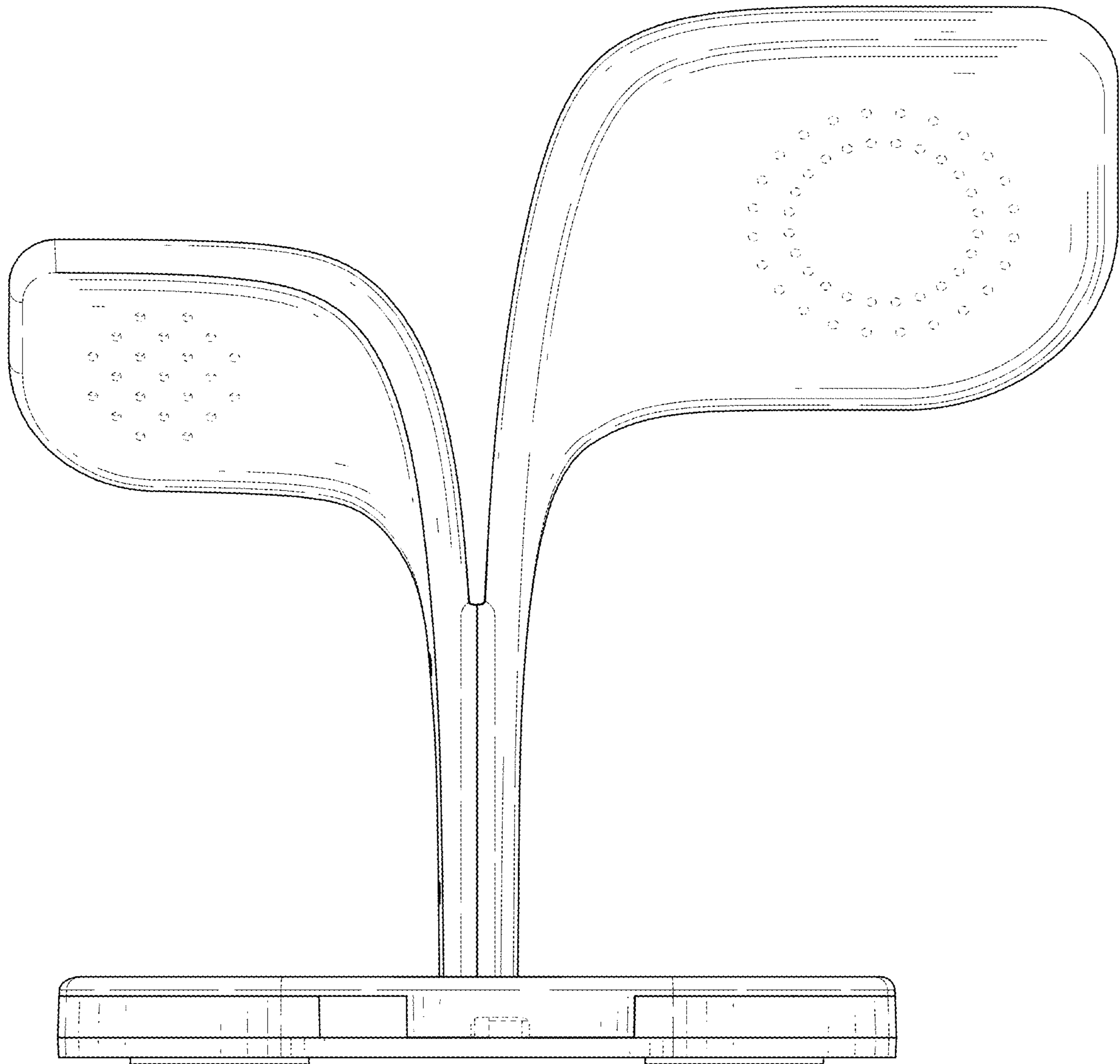


FIG. 4

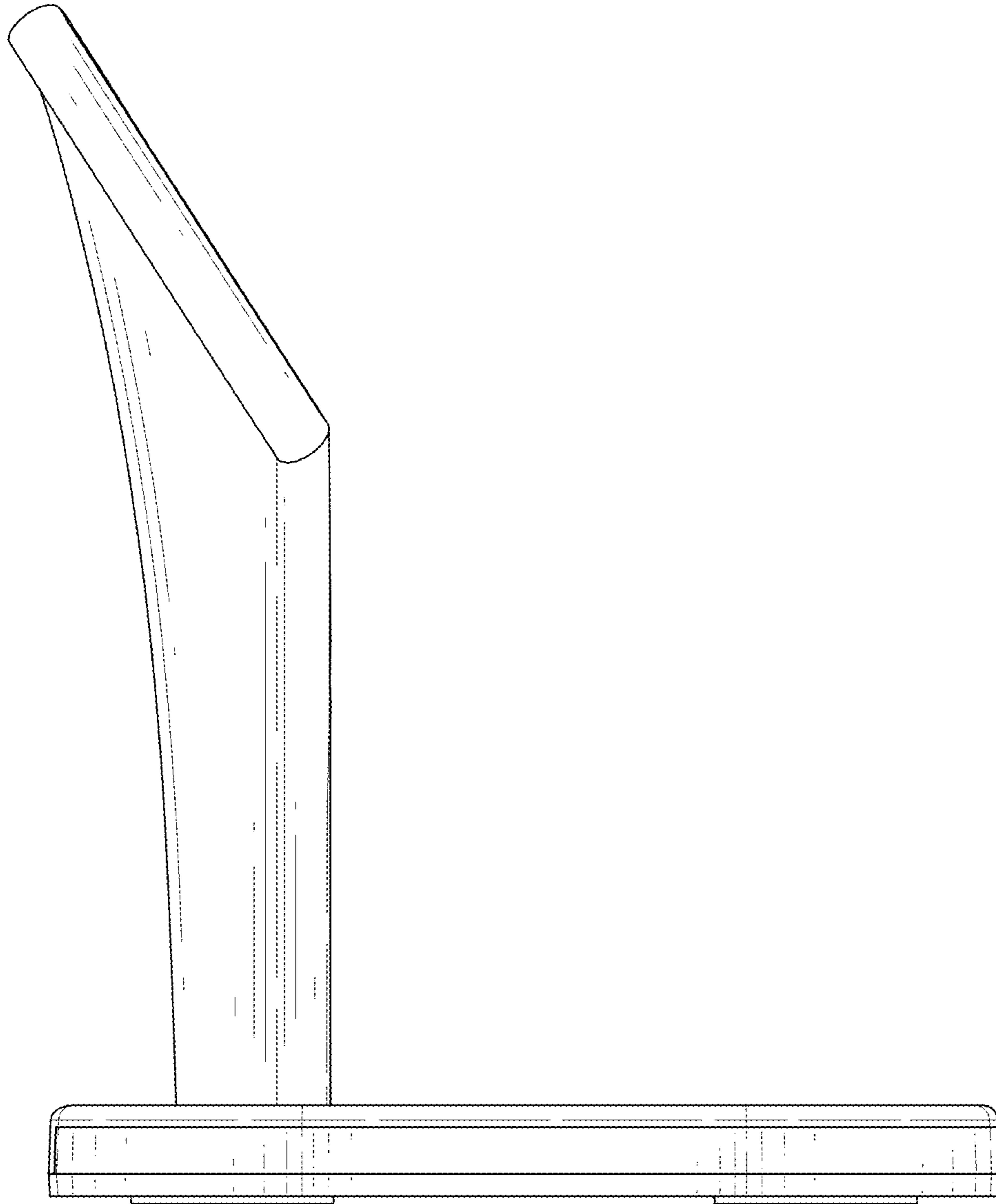


FIG. 5

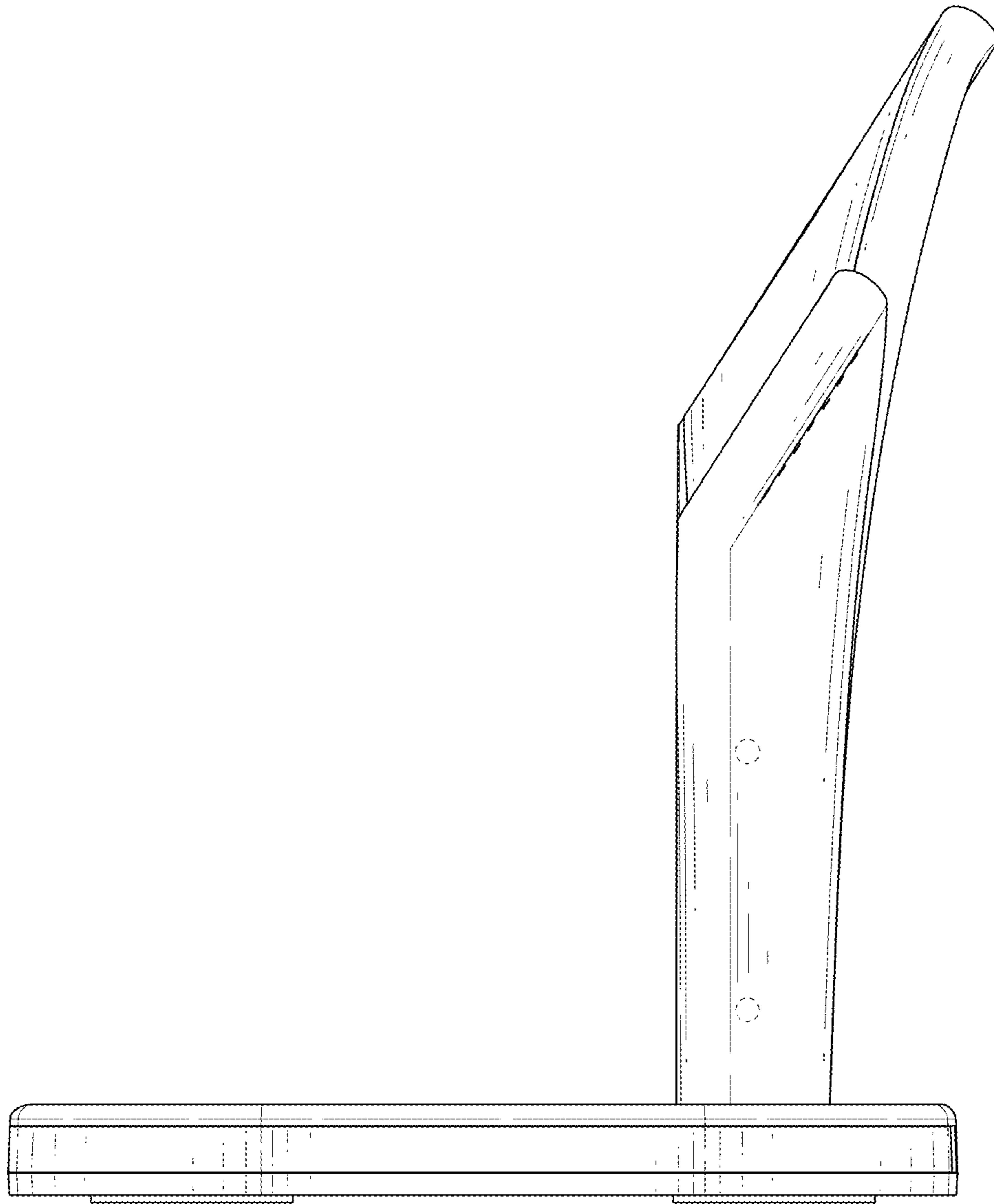


FIG. 6

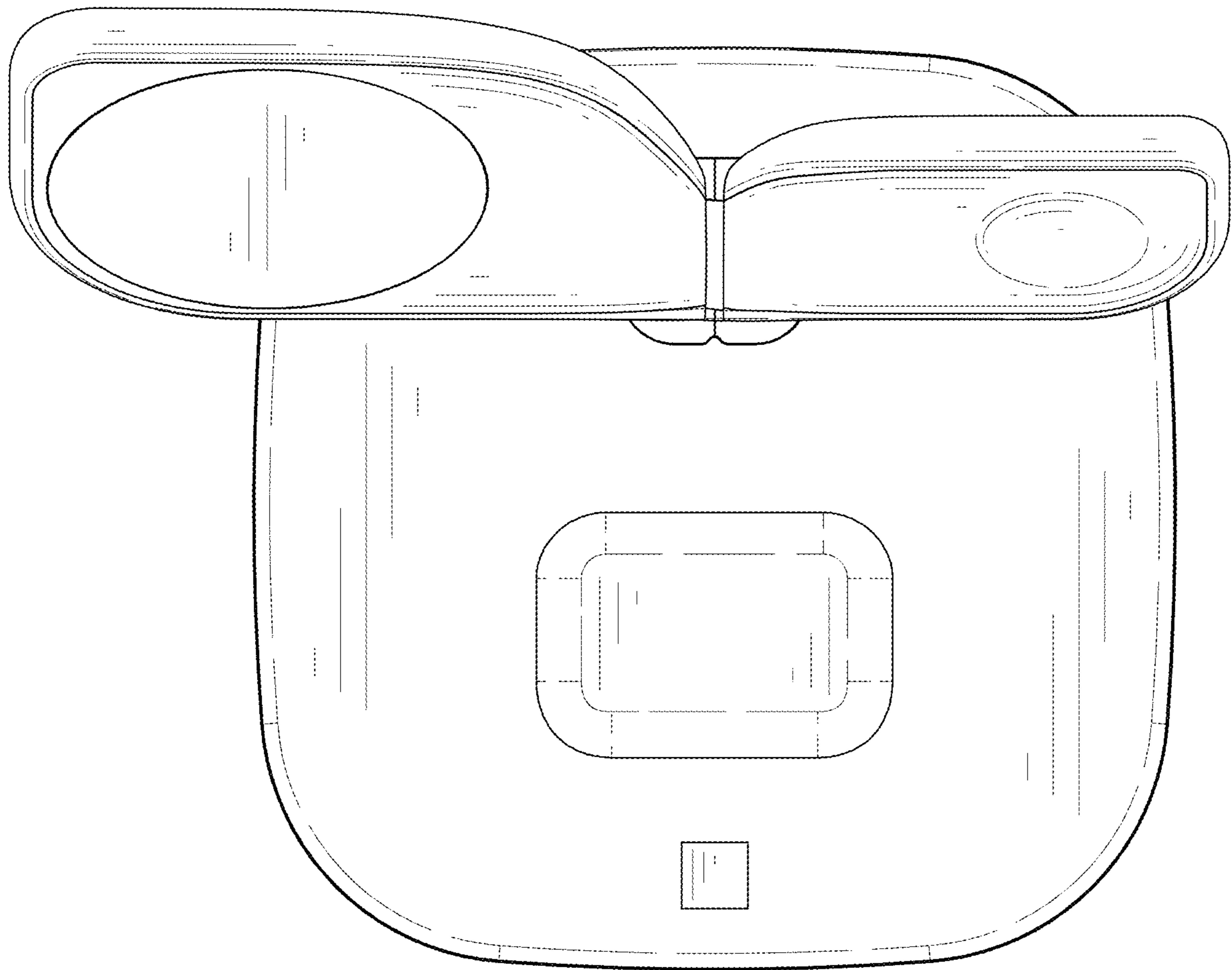


FIG. 7

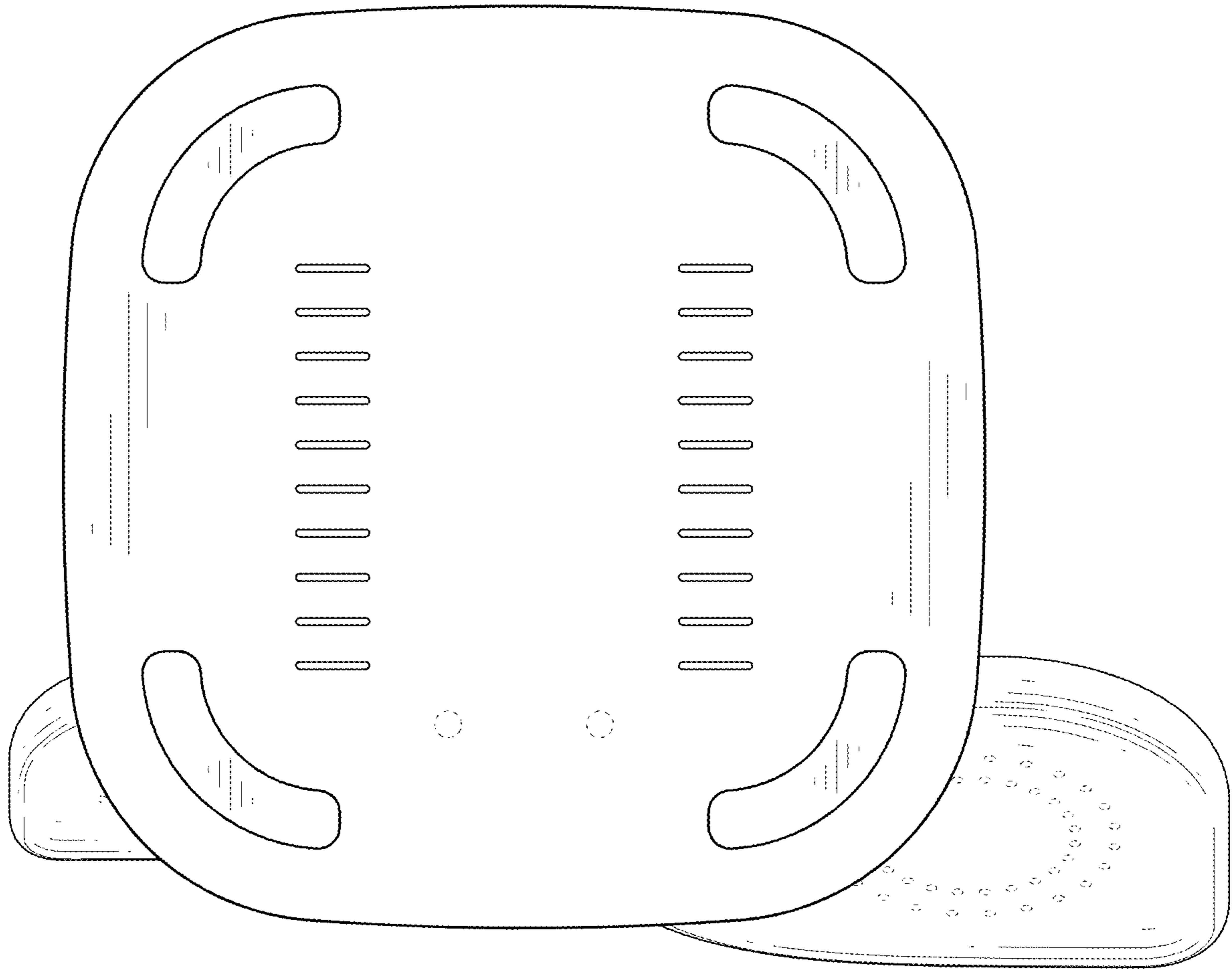


FIG. 8

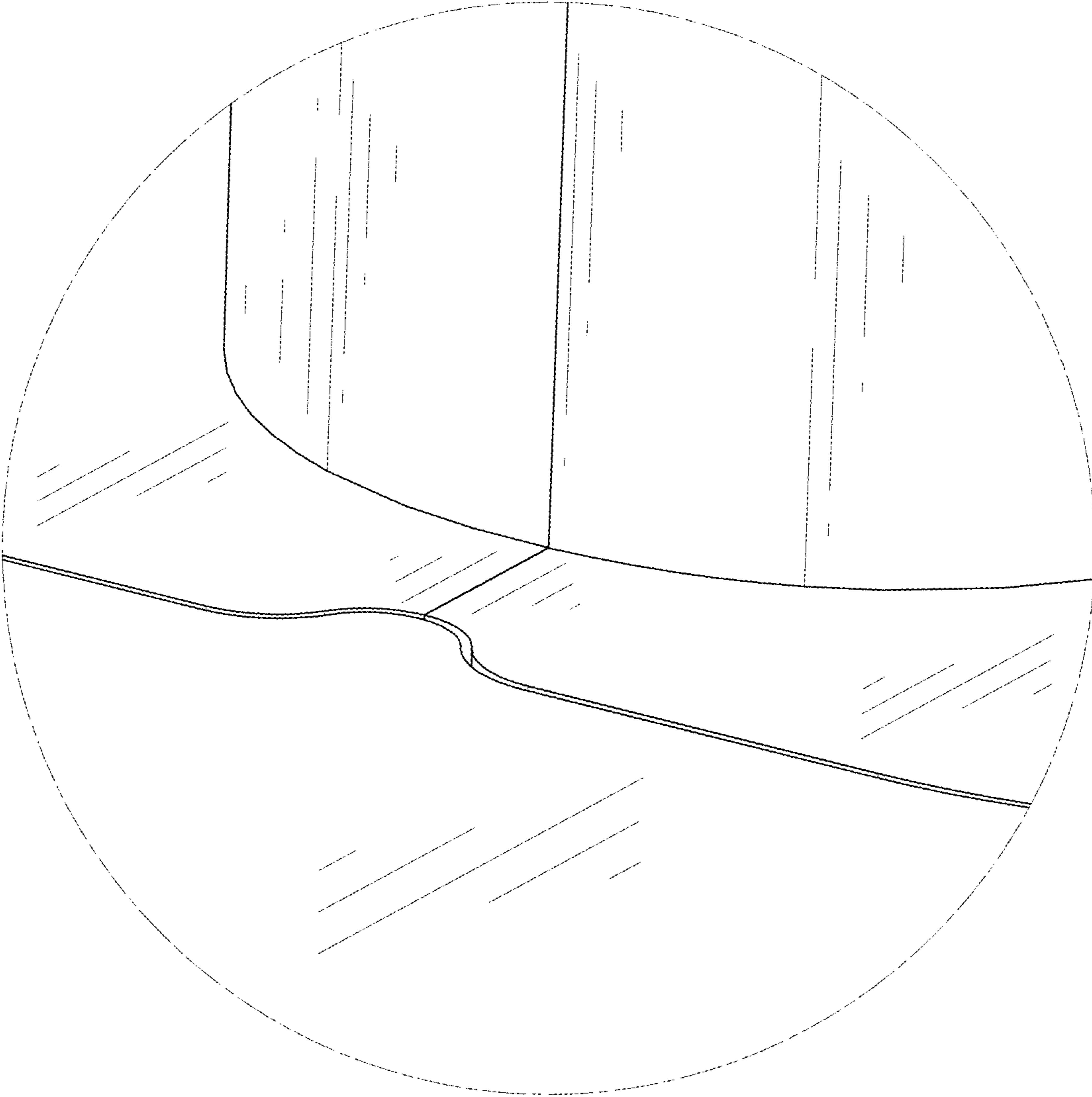


FIG. 9