



US00D971138S

(12) **United States Design Patent** (10) **Patent No.:** **US D971,138 S**  
**Wu** (45) **Date of Patent:** **\*\* Nov. 29, 2022**

(54) **CHARGING DOCK FOR VR HEADSET**

(71) Applicant: **Lingyun Wu**, Shenzhen (CN)

(72) Inventor: **Lingyun Wu**, Shenzhen (CN)

(\*\*) Term: **15 Years**

(21) Appl. No.: **29/787,044**

(22) Filed: **Jun. 3, 2021**

(51) **LOC (13) Cl.** ..... **13-02**

(52) **U.S. Cl.**  
USPC ..... **D13/108**; D21/333

(58) **Field of Classification Search**  
USPC ..... D13/103, 107, 108, 118, 119; D14/432,  
D14/433, 434, 439, 447; D21/333, 385  
CPC ..... H02J 7/00047; H02J 7/0049; H02J 50/05  
See application file for complete search history.

(56) **References Cited**

**U.S. PATENT DOCUMENTS**

D363,917 S	11/1995	Kanou	
D481,675 S *	11/2003	Ng	D13/108
D483,327 S *	12/2003	Matsuoka	D13/108
D502,913 S *	3/2005	Fukami	D13/108
D635,918 S *	4/2011	Le	D14/434
D709,445 S *	7/2014	Yeh	D13/107
D817,874 S *	5/2018	Tsai	D13/108
D835,034 S *	12/2018	Tuffy	D13/108
D847,740 S *	5/2019	Yamanouchi	D13/108
D934,345 S *	10/2021	Morimoto	D21/333
D938,351 S *	12/2021	Yamamoto	D13/108
2014/0007594 A1 *	1/2014	Lofy	H02J 50/10 62/3.2
2020/0091745 A1 *	3/2020	Yang	H02J 7/0045
2020/0335987 A1 *	10/2020	Zheng	H02J 7/0044

**OTHER PUBLICATIONS**

“RGEEK Charger Dock”. Found online May 3, 2022 at amazon.com. Reference dated Sep. 15, 2020. Retrieved from [https://www.amazon.com/RGEEK-Upgraded-Charger-Charging-Indicator/dp/B097MJZFBN/ref=pd\\_Ipo\\_1](https://www.amazon.com/RGEEK-Upgraded-Charger-Charging-Indicator/dp/B097MJZFBN/ref=pd_Ipo_1). (Year: 2020).\*

“AMVR Charging Station”. Found online May 3, 2022 at amazon.com. Reference dated Nov. 6, 2020. Retrieved from <https://www.amazon.com/AMVR-Controllers-Charging-Functions-Controller/dp/B08MVQCSV5>. (Year: 2020).\*

“Skywin PSVR Stand”. Found online May 3, 2022 at amazon.com. Reference dated Dec. 6, 2018. Retrieved from <https://www.amazon.com/Skywin-PSVR-Stand-Compatible-Playstation/dp/B07L5XKY24>. (Year: 2018).\*

\* cited by examiner

*Primary Examiner* — Kendra Leslie Hamilton

*Assistant Examiner* — Amanda Christensen

(74) *Attorney, Agent, or Firm* — Justin Lampel

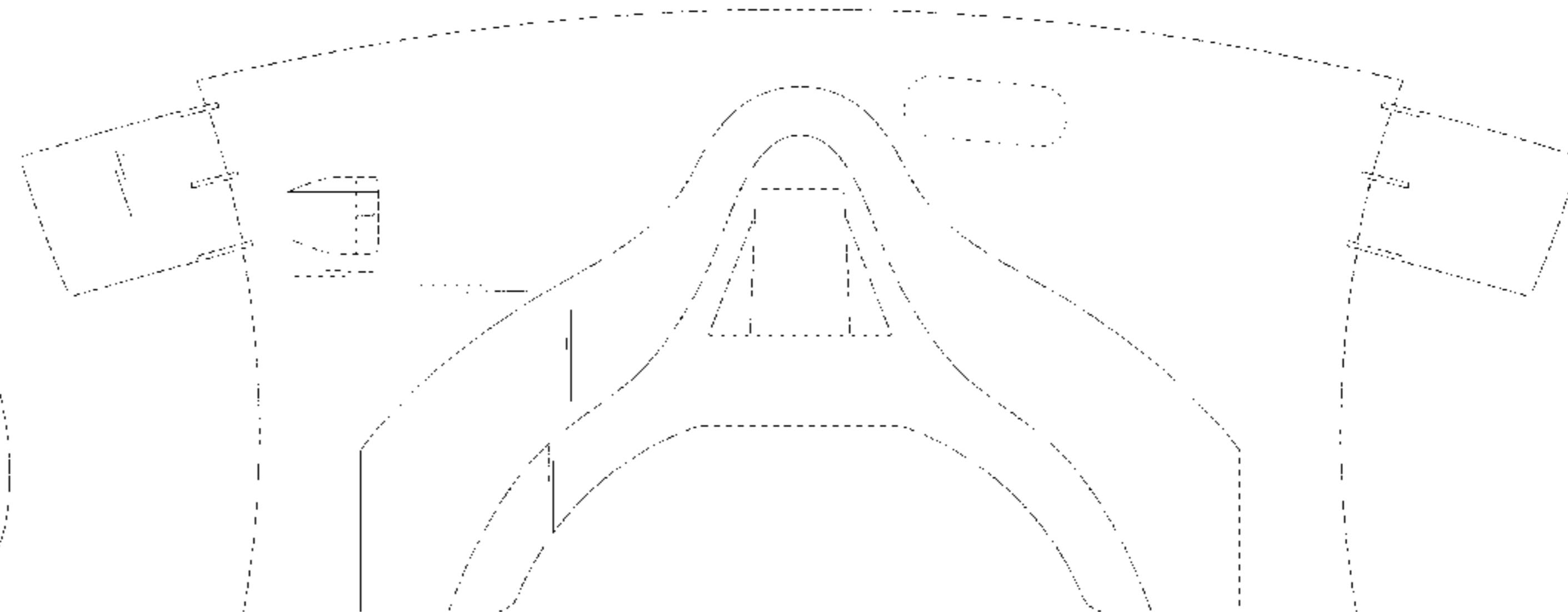
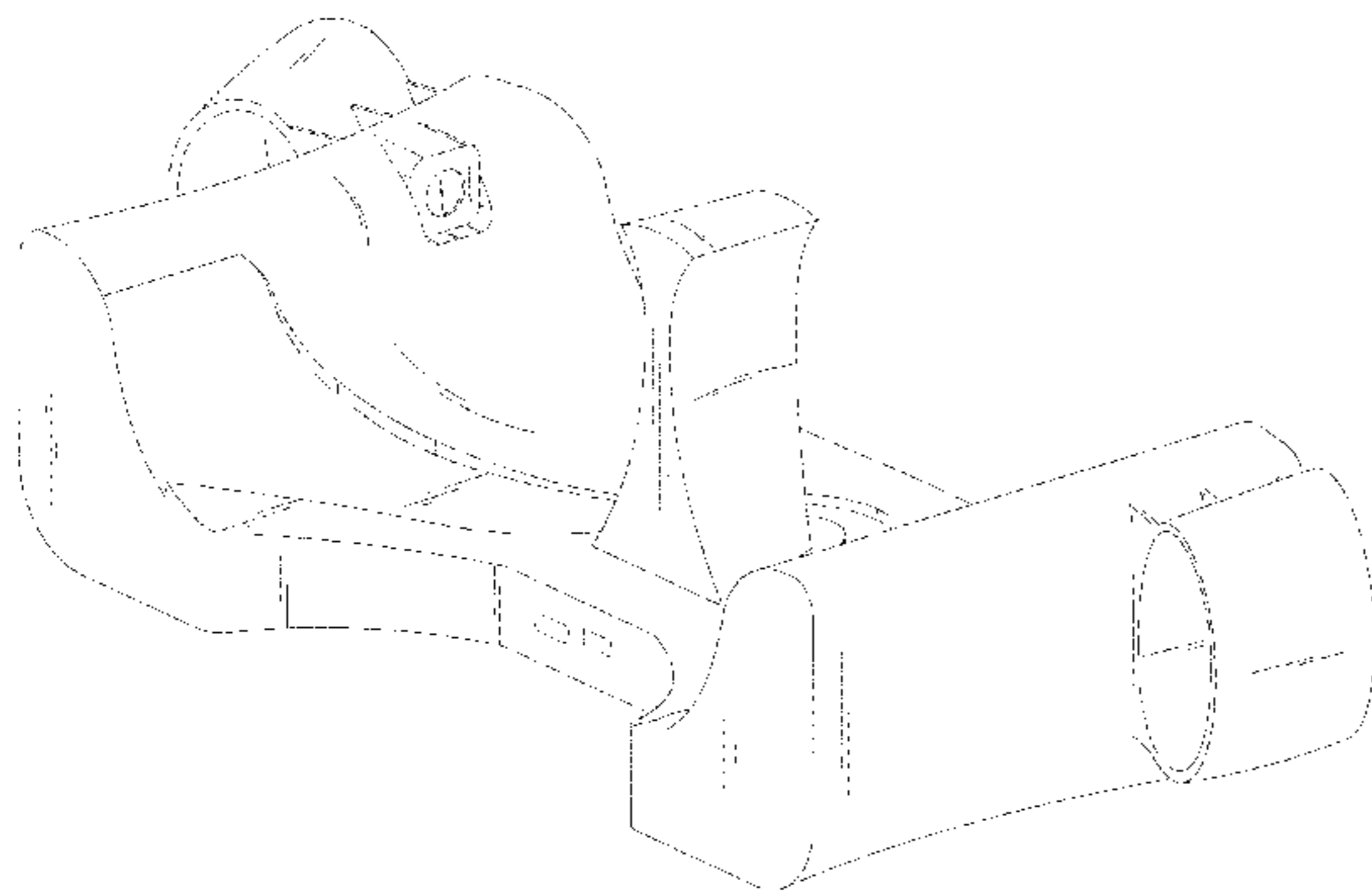
(57) **CLAIM**

The ornamental design for a charging dock for VR headset, as shown and described.

**DESCRIPTION**

FIG. 1 is a perspective view of a charging dock for VR headset, showing the claimed design; FIG. 2 is a top plan view thereof; FIG. 3 is a left side view thereof; FIG. 4 is a front elevational view thereof; FIG. 5 is a right side view thereof; FIG. 6 is a rear elevational view thereof; and, FIG. 7 is a bottom plan view thereof. The broken lines depict portions of the charging dock for VR headset that form no part of the claimed design.

**1 Claim, 7 Drawing Sheets**



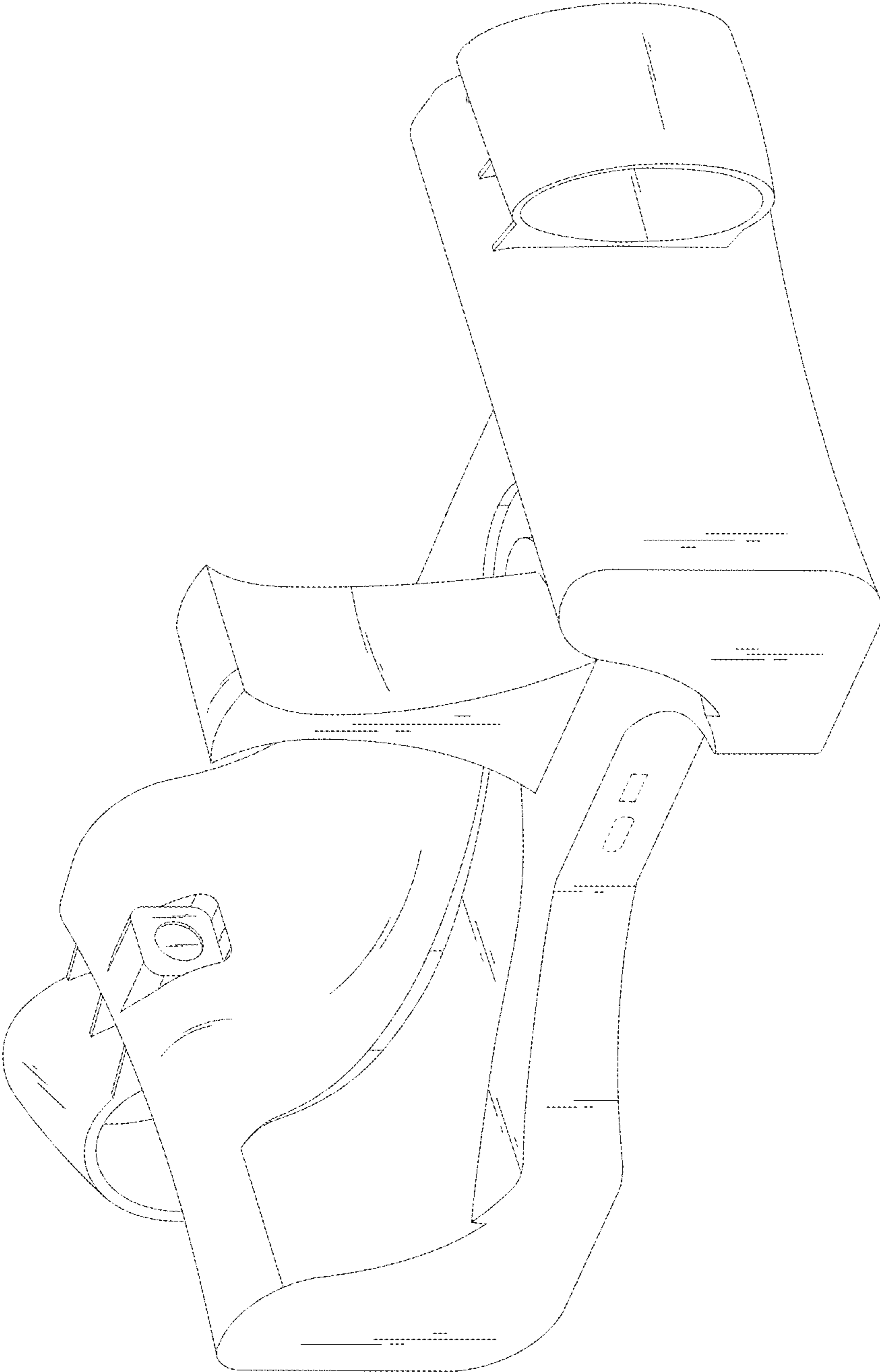


FIG. 1

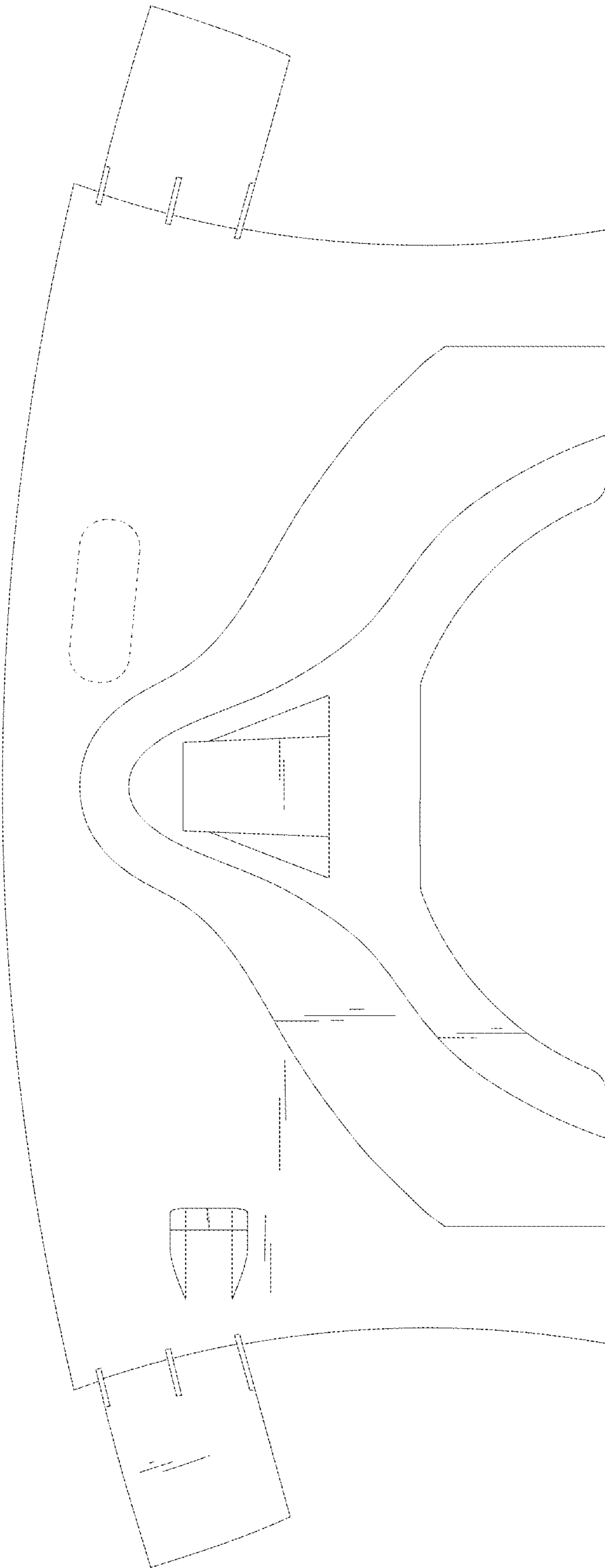


FIG. 2

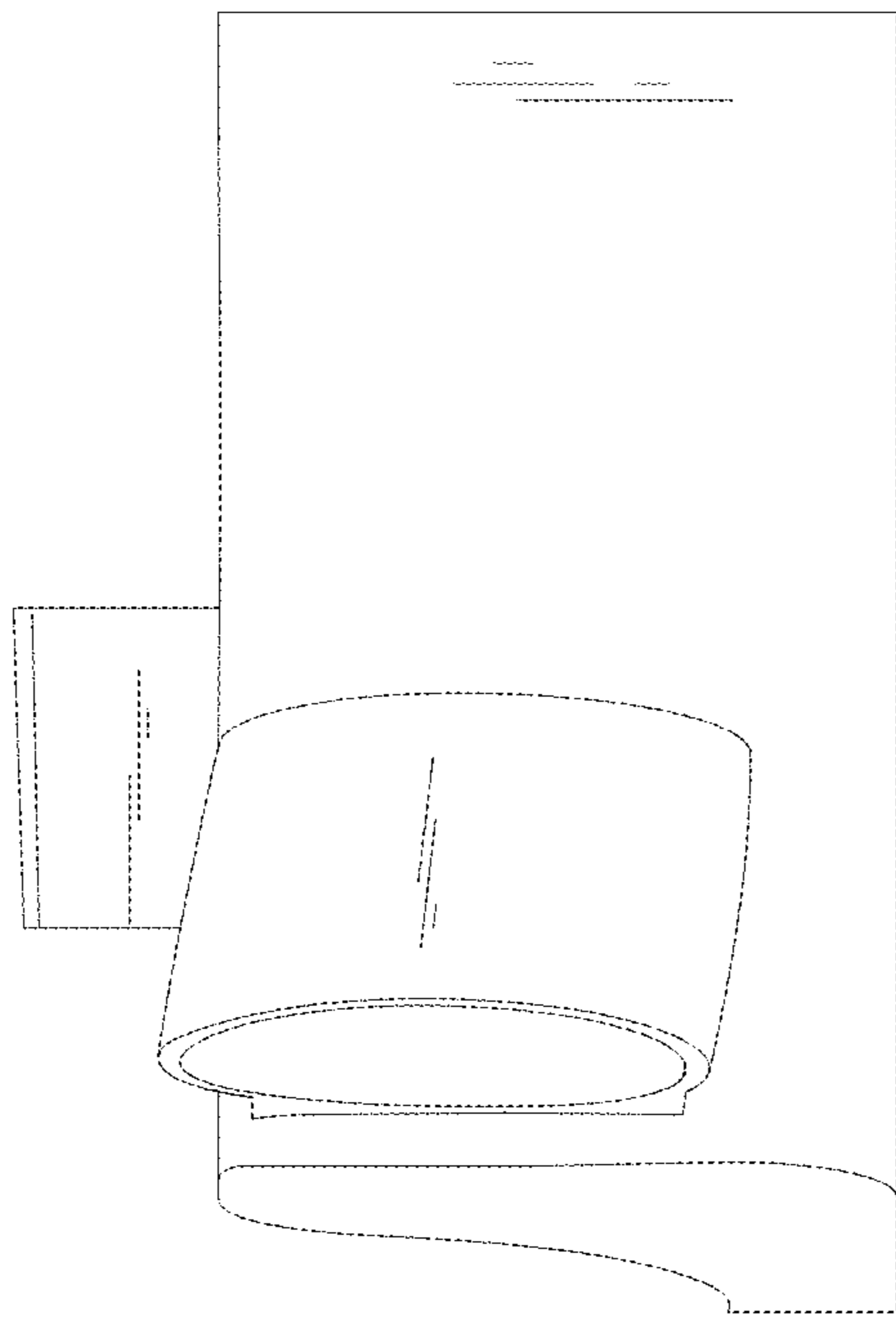


FIG. 3

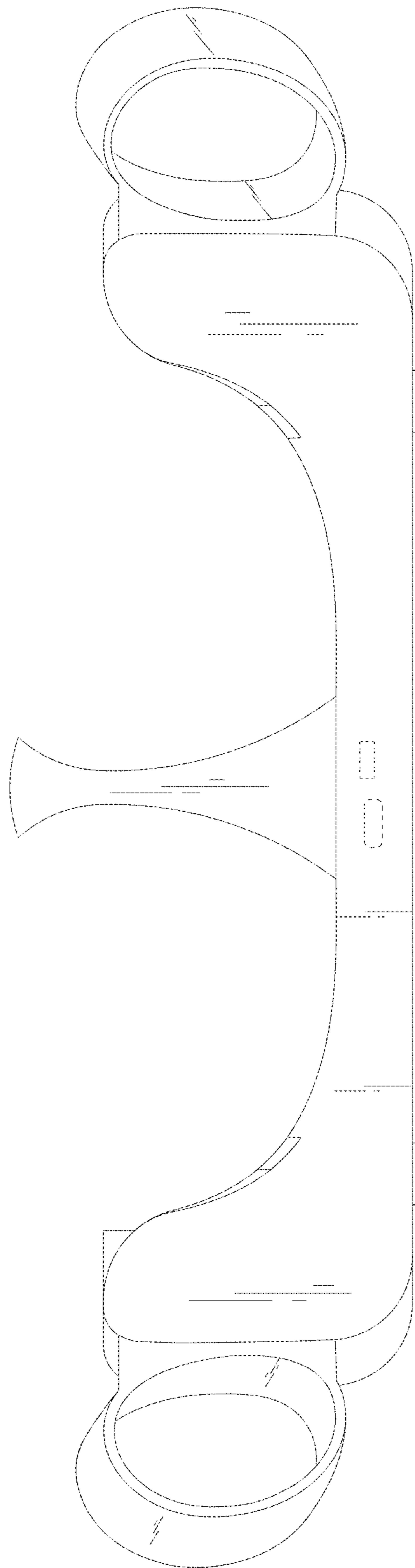


FIG.4

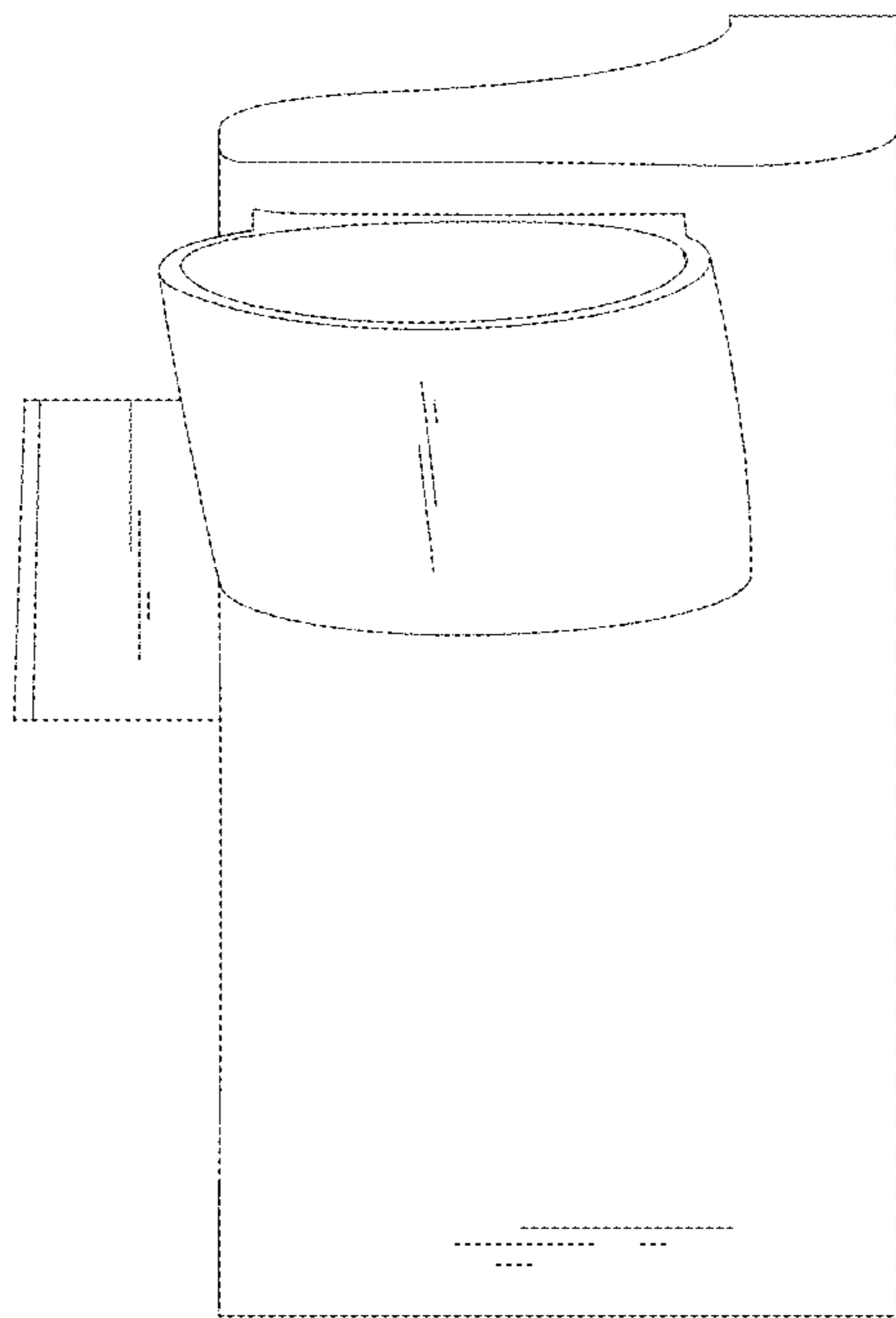


FIG. 5

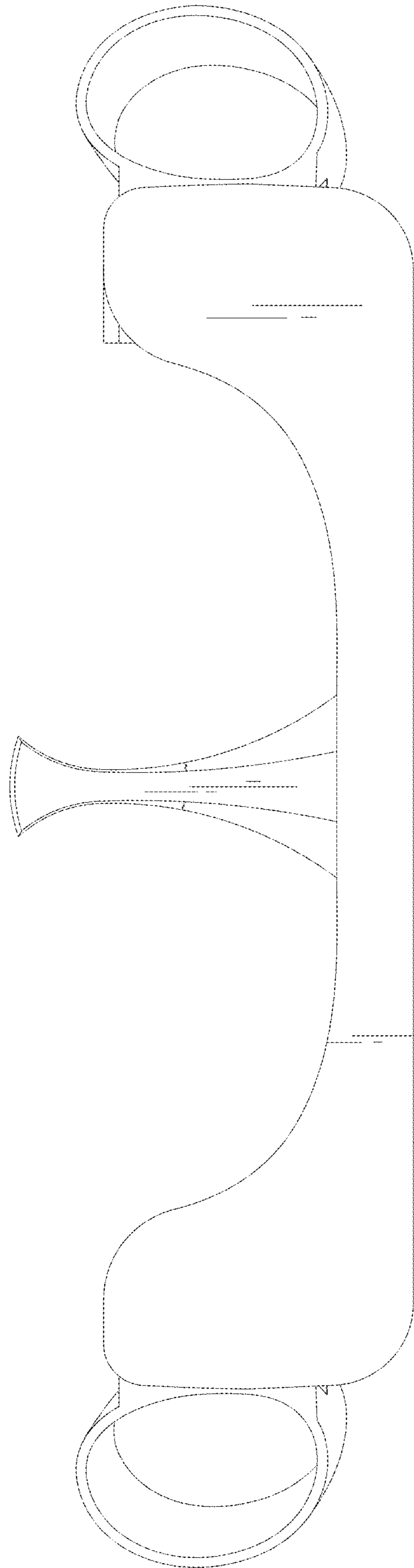


FIG.6

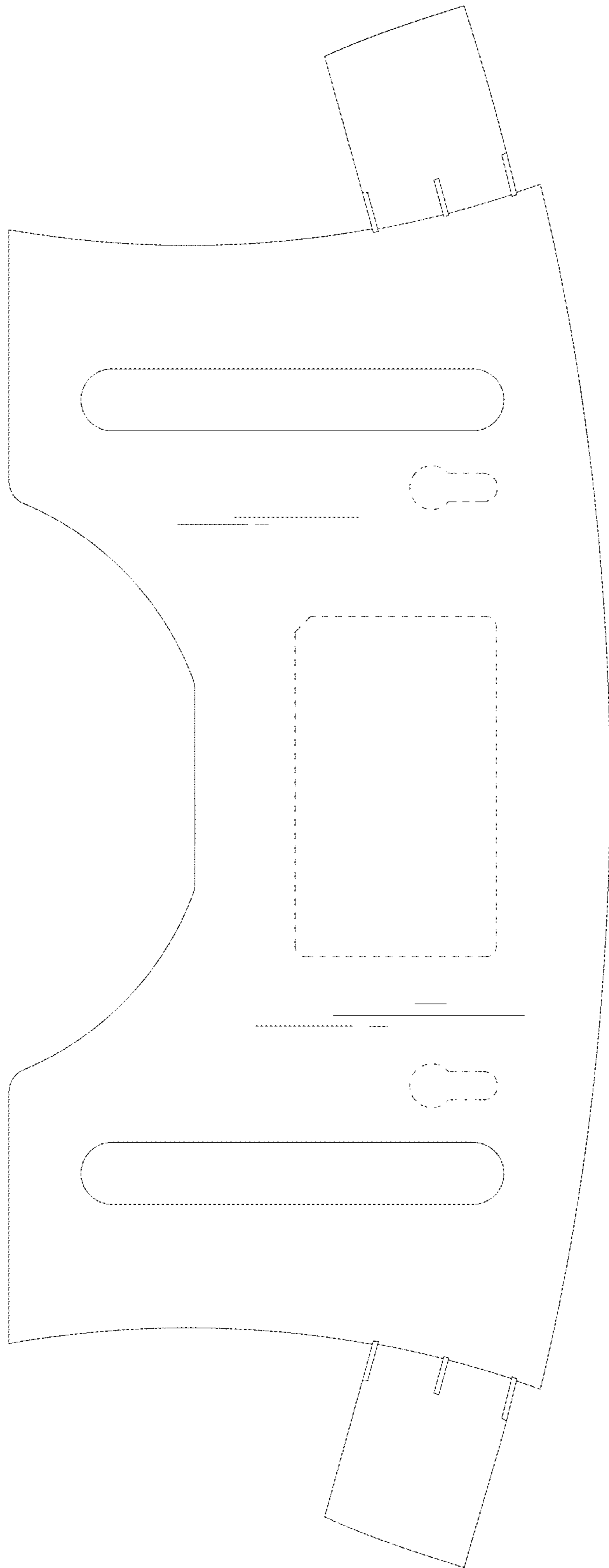


FIG.7