



US00D971137S

(12) **United States Design Patent**  
**Lai**

(10) **Patent No.:** **US D971,137 S**

(45) **Date of Patent:** **\*\* Nov. 29, 2022**

(54) **WIRELESS CHARGER**

(71) Applicant: **Shenzhen Earteana Technology Co., Ltd.**, Shenzhen (CN)

(72) Inventor: **Minglin Lai**, Shenzhen (CN)

(\*\*) Term: **15 Years**

(21) Appl. No.: **29/765,270**

(22) Filed: **Jan. 7, 2021**

(51) **LOC (13) Cl.** ..... **13-02**

(52) **U.S. Cl.**  
USPC ..... **D13/108**

(58) **Field of Classification Search**  
USPC ..... D13/107-110, 118, 119, 184, 199;  
D14/251, 253, 432, 434, 447  
CPC ..... Y02E 60/12; H02J 7/025; H02J 7/0042;  
H02J 7/0044; H02J 7/0045; H02J 7/0003;  
H02J 7/0027; H02J 7/0013; H02J 7/0054;  
H02J 7/00; H02J 2001/008; H02J 3/32;  
H02J 3/008; H01F 38/14; H01R 13/6675;  
H01M 2/1022; H01M 2/1055; H01M  
10/44; H01M 10/46; H01M 10/425; B60L  
11/182; B60L 11/1809; B60L 11/1861;  
B60R 16/03

See application file for complete search history.

(56) **References Cited**

**U.S. PATENT DOCUMENTS**

D875,043 S *	2/2020	Yi	.....	D13/108
D885,331 S *	5/2020	Suzuki	.....	D13/108
D900,732 S *	11/2020	Sexton	.....	D13/107
D905,042 S *	12/2020	Lim	.....	D14/434
D907,643 S *	1/2021	Wengreen	.....	D14/447
D911,278 S *	2/2021	Shang	.....	D13/108

D920,239 S *	5/2021	Cheng	.....	D13/108
D928,702 S *	8/2021	Liao	.....	D13/108
D928,703 S *	8/2021	Liao	.....	D13/108
D933,594 S *	10/2021	Zhang	.....	D13/108
D933,598 S *	10/2021	Zhang	.....	D13/108
D934,794 S *	11/2021	Brisebras	.....	D13/108
D935,400 S *	11/2021	Zhang	.....	D13/108
D937,200 S *	11/2021	Kawase	.....	D13/107
D938,434 S *	12/2021	Lee	.....	D14/447
D946,580 S *	3/2022	Huang	.....	D21/333
D948,426 S *	4/2022	Liao	.....	D14/252

\* cited by examiner

*Primary Examiner* — Christy Nemeth

(57) **CLAIM**

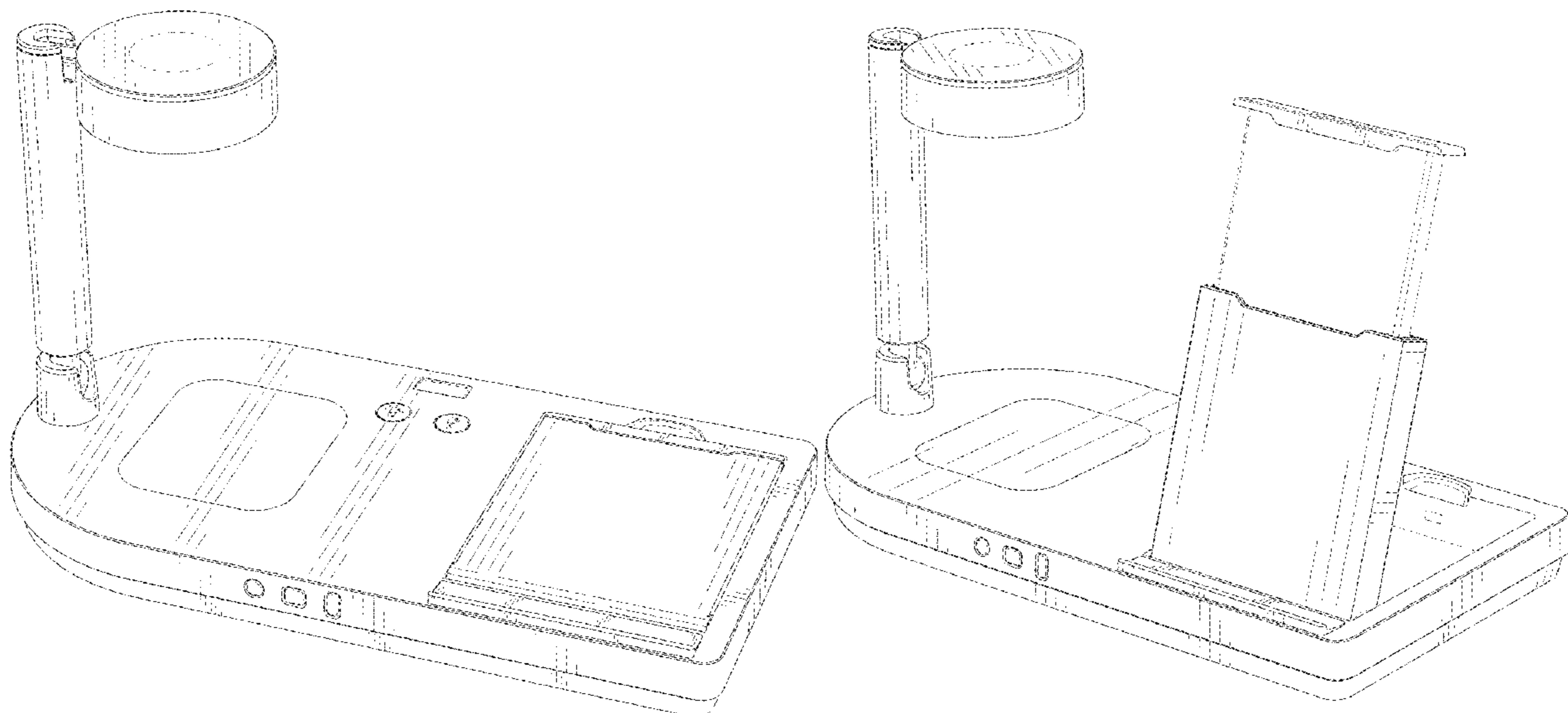
The ornamental design for a wireless charger, as shown and described.

**DESCRIPTION**

FIG. 1 is a front, top, right side perspective view of a wireless charger of my new design, shown in a first position; FIG. 2 is a front elevation view thereof; FIG. 3 is a rear elevation view thereof; FIG. 4 is a left side elevation view thereof; FIG. 5 is a right side elevation view thereof; FIG. 6 is a top plan view thereof; FIG. 7 is a bottom plan view thereof; FIG. 8 is a front, top, left side perspective view thereof, shown in a second position; FIG. 9 is a front, top, right side perspective view thereof, shown in a third position; and, FIG. 10 is a front, top, right side perspective view thereof, shown in a fourth position.

The broken lines in the figures illustrate portions of the wireless charger that form no part of the claimed design.

**1 Claim, 10 Drawing Sheets**



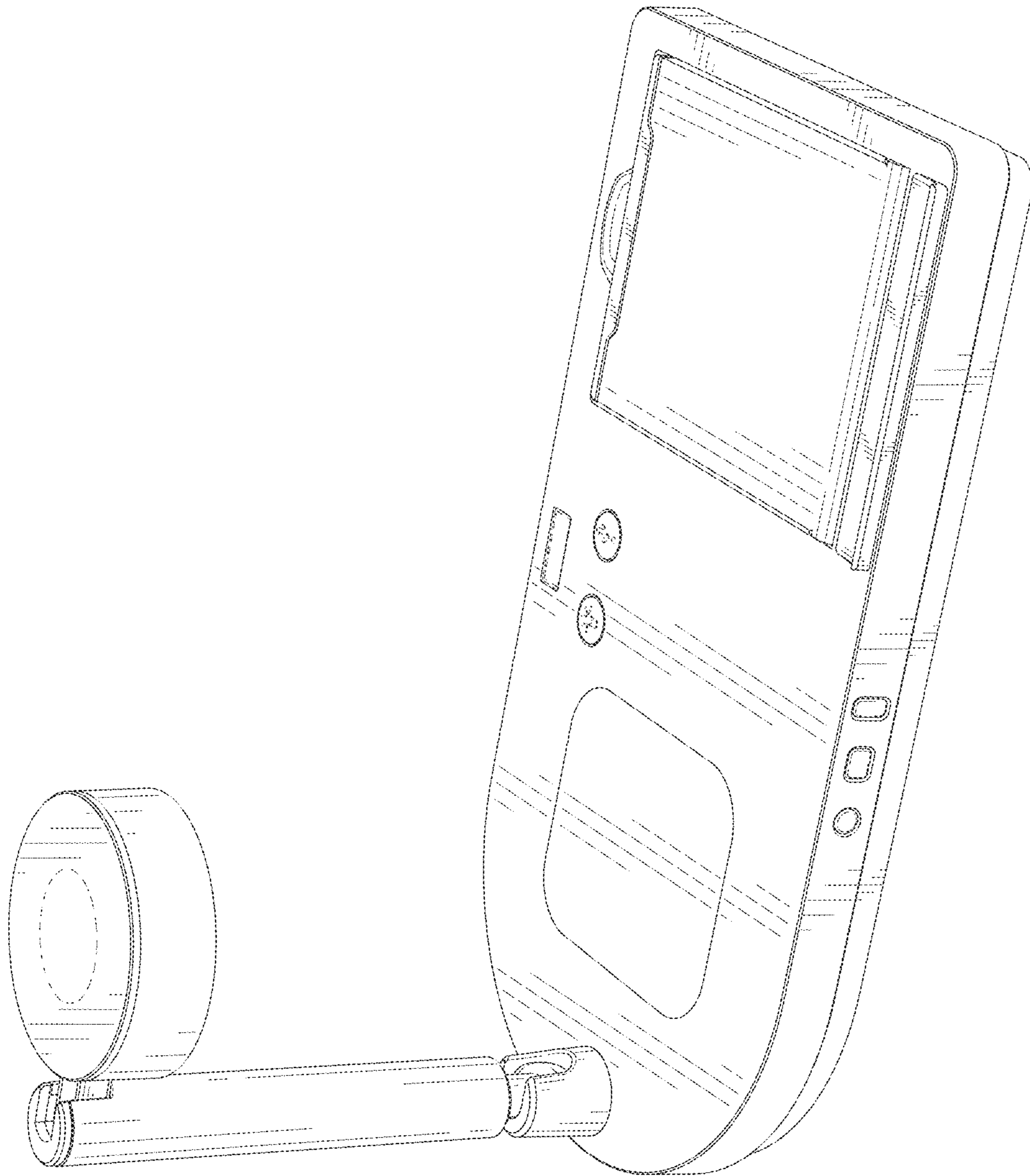


FIG. 1

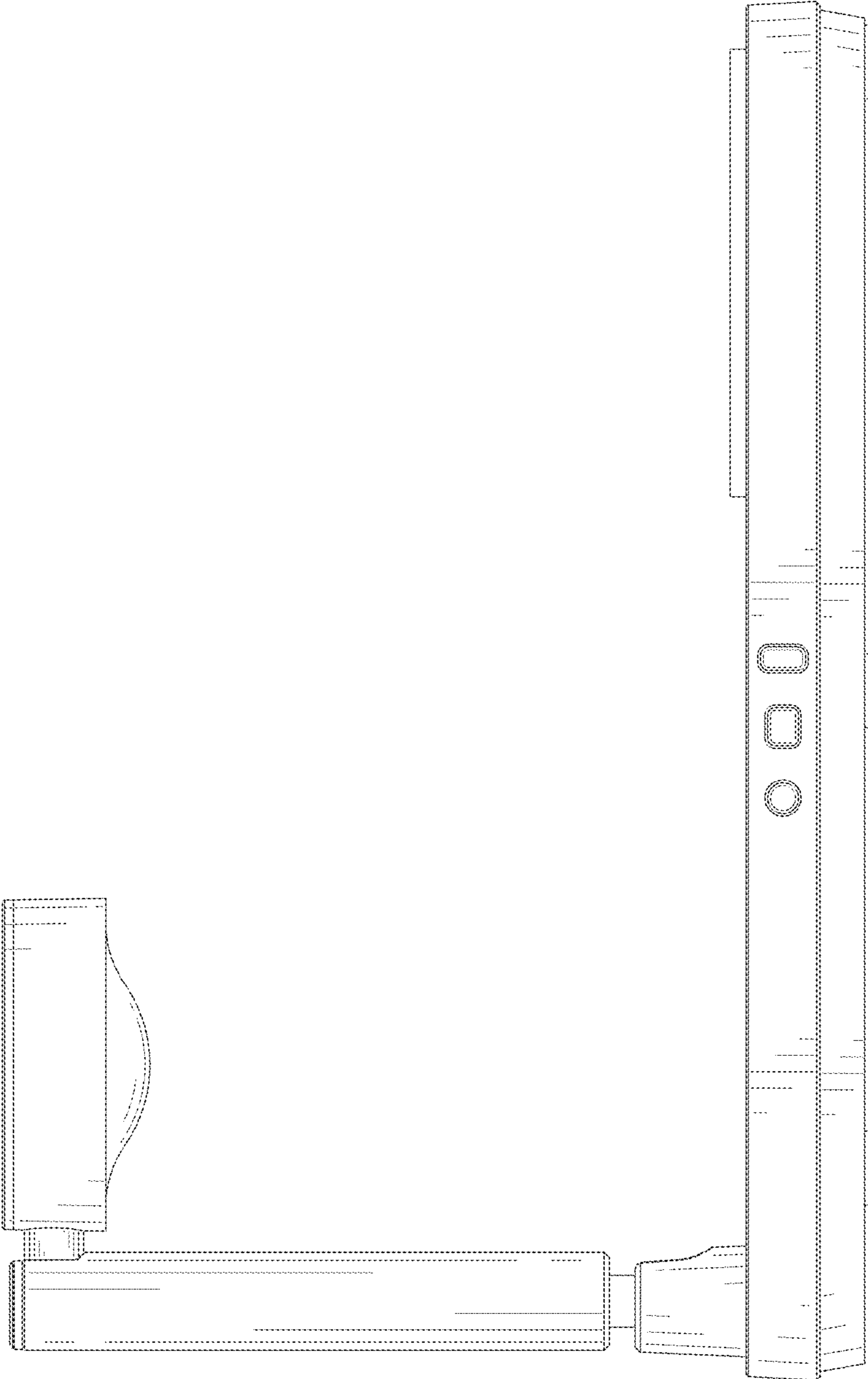


FIG. 2

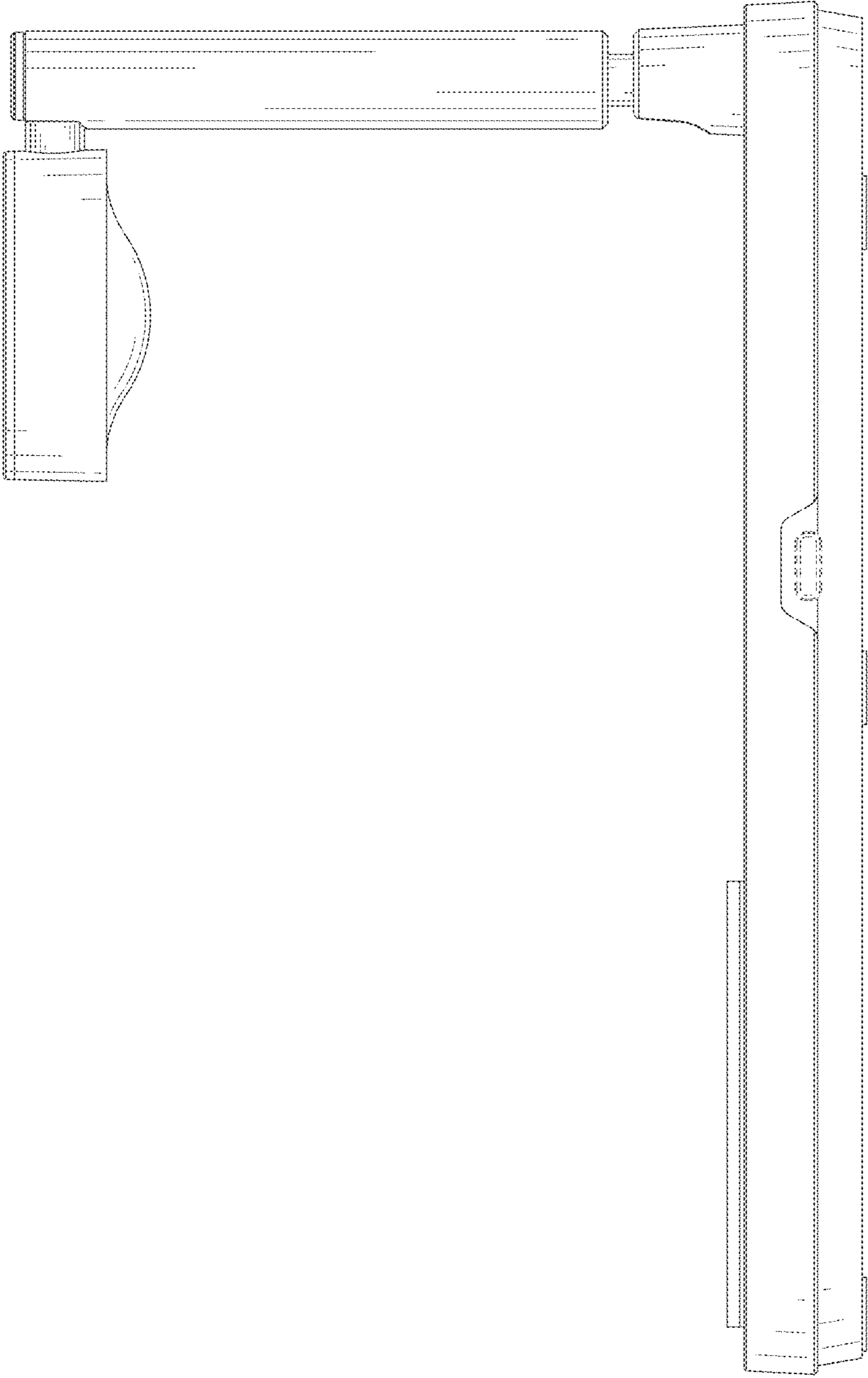


FIG. 3

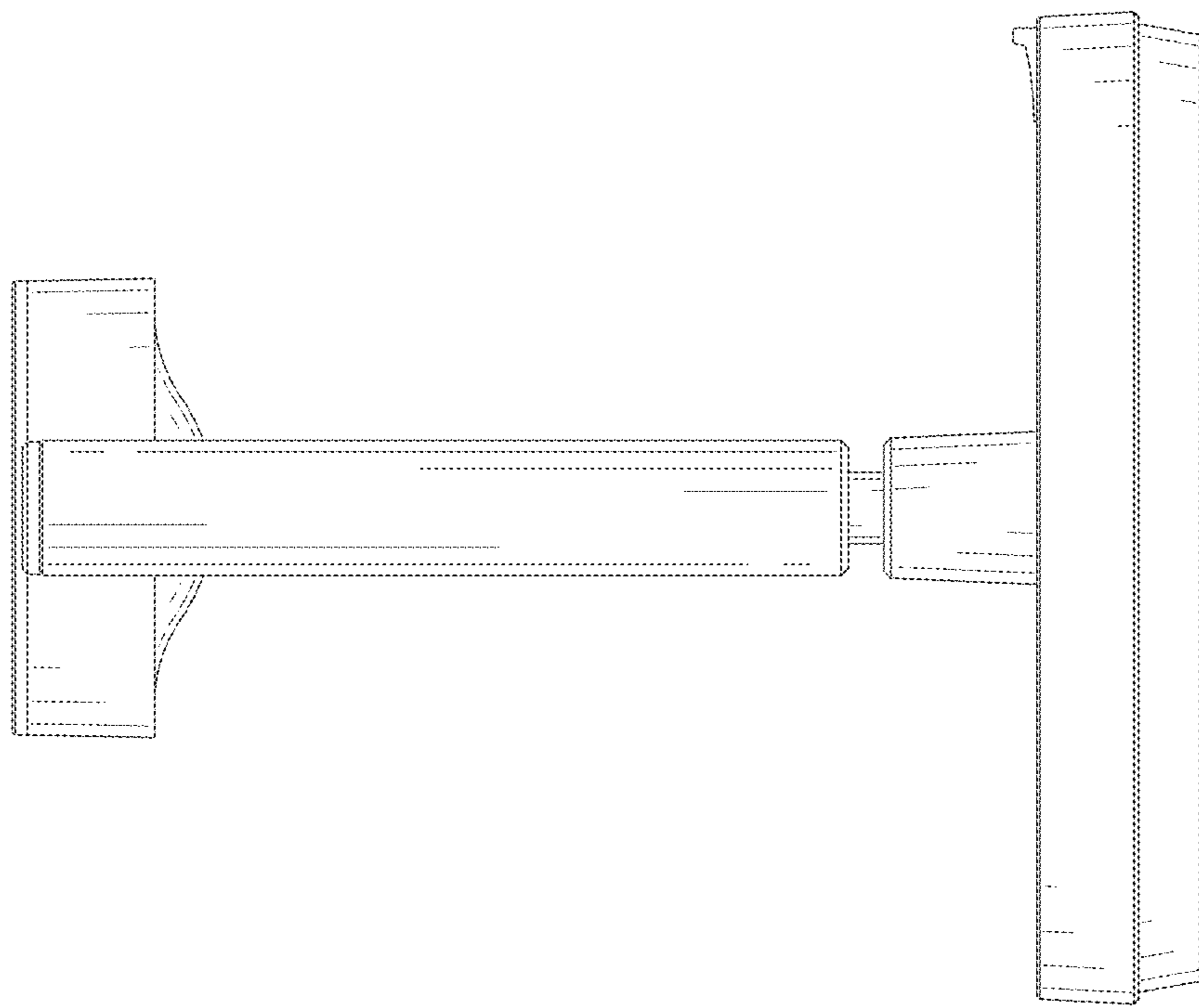


FIG. 4

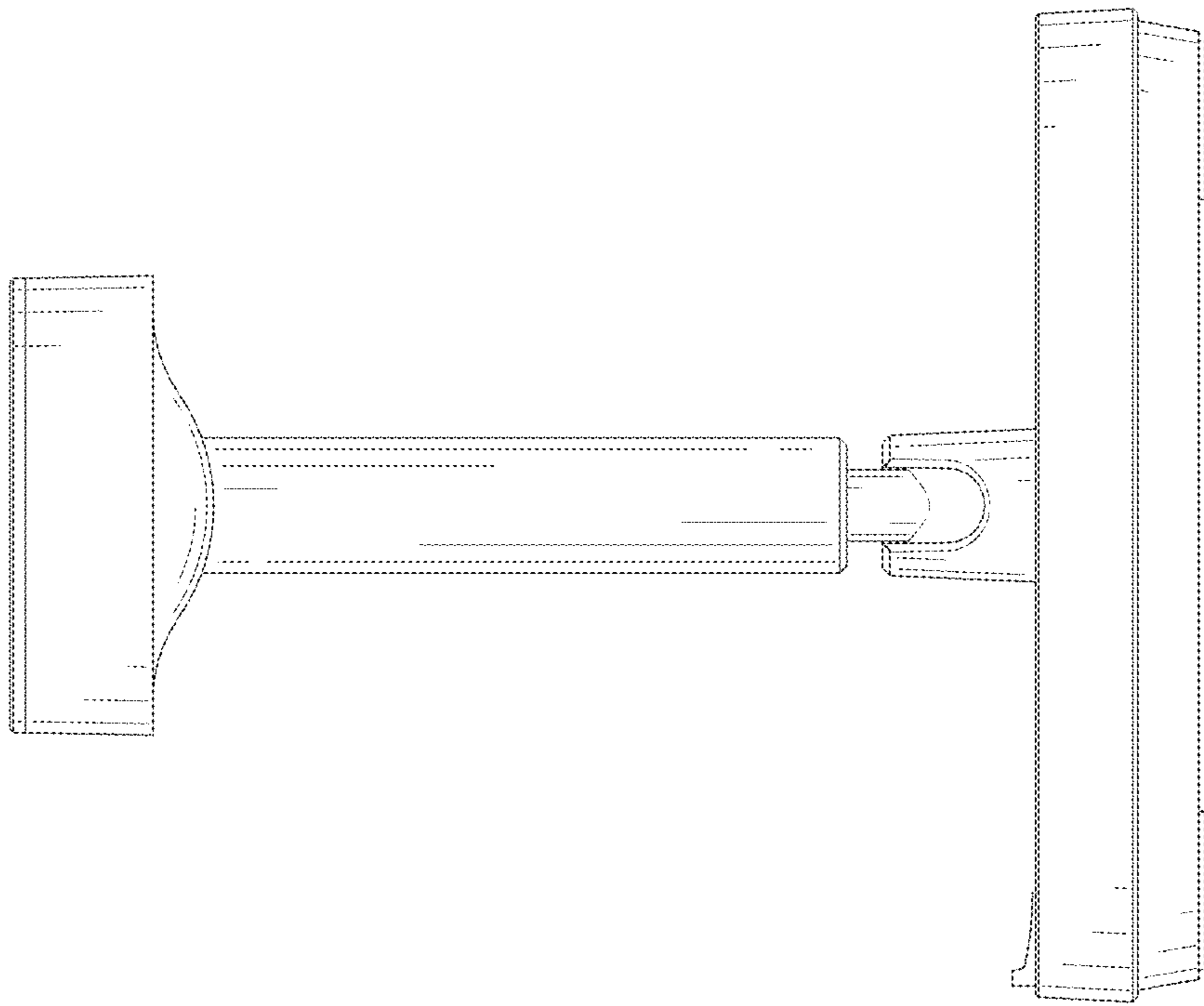


FIG. 5

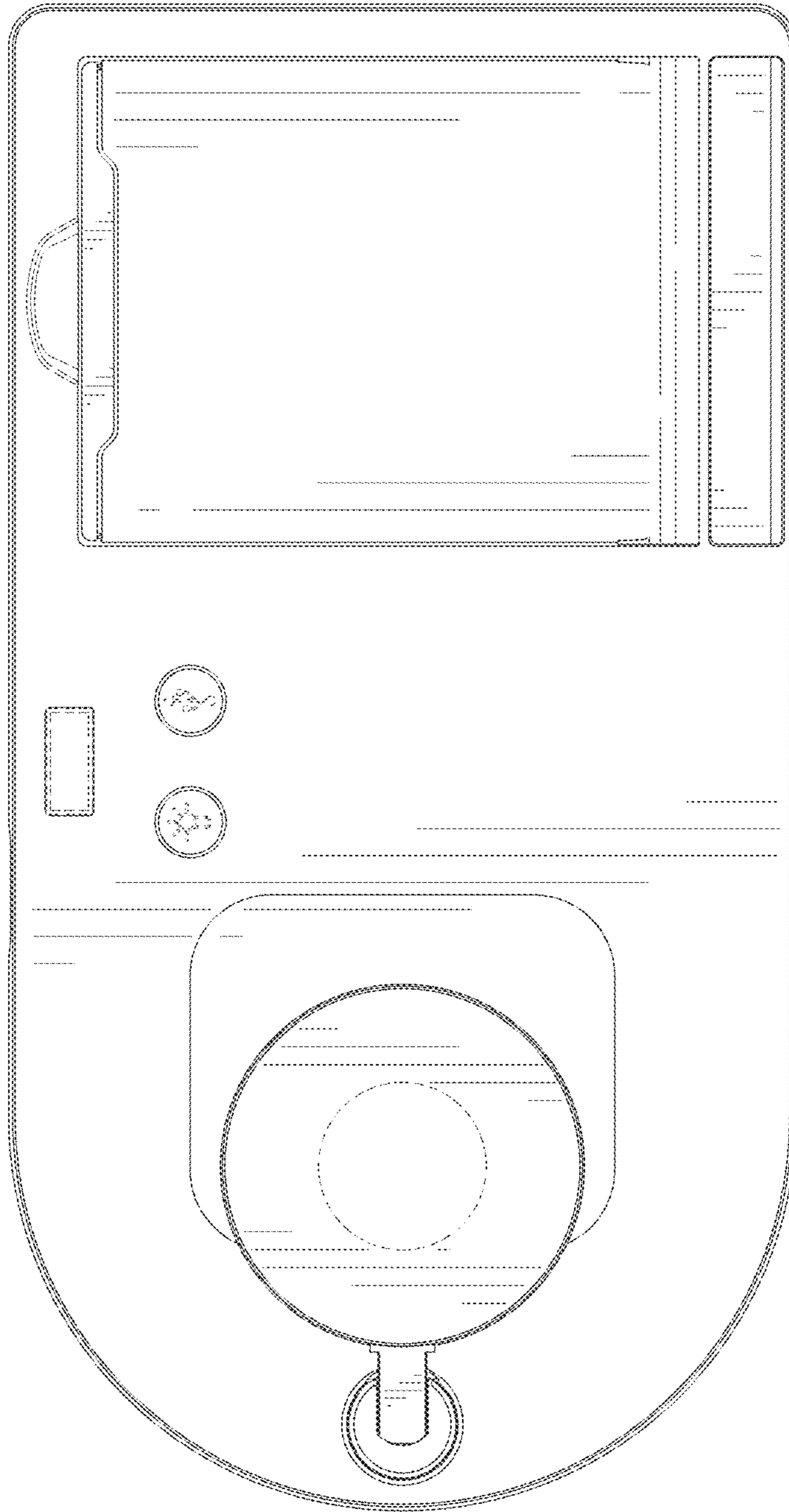


FIG. 6

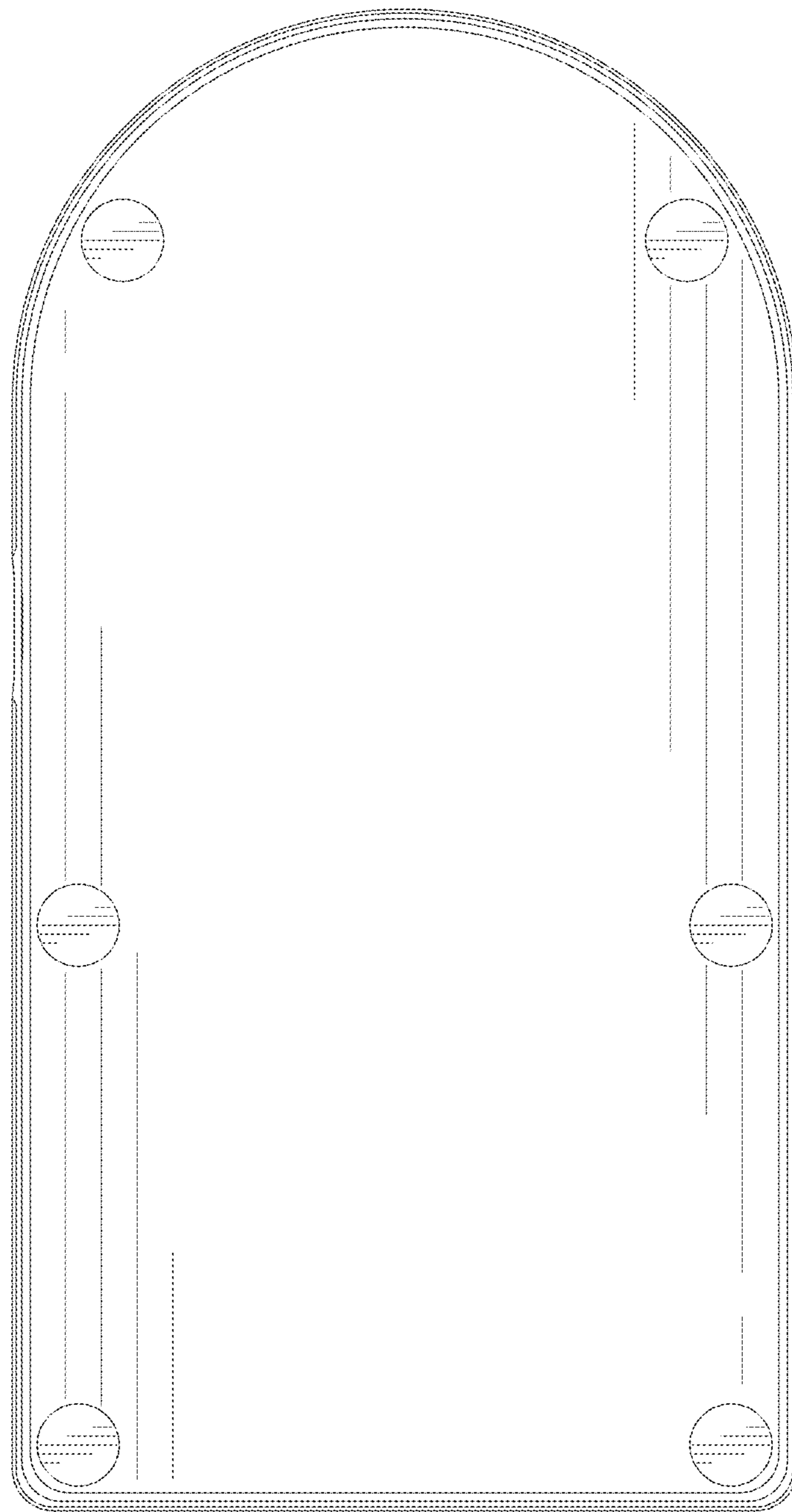


FIG. 7



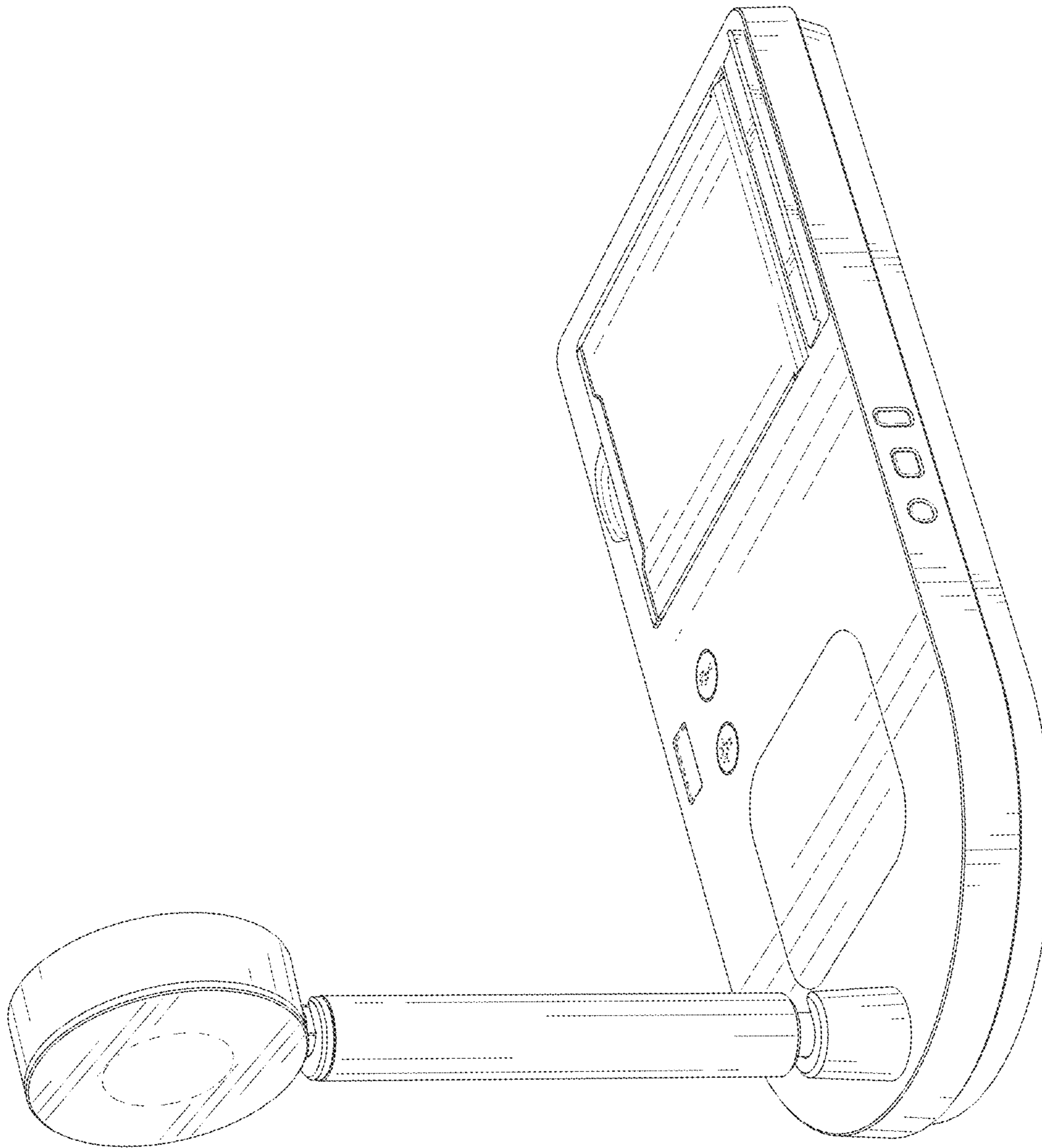


FIG. 8

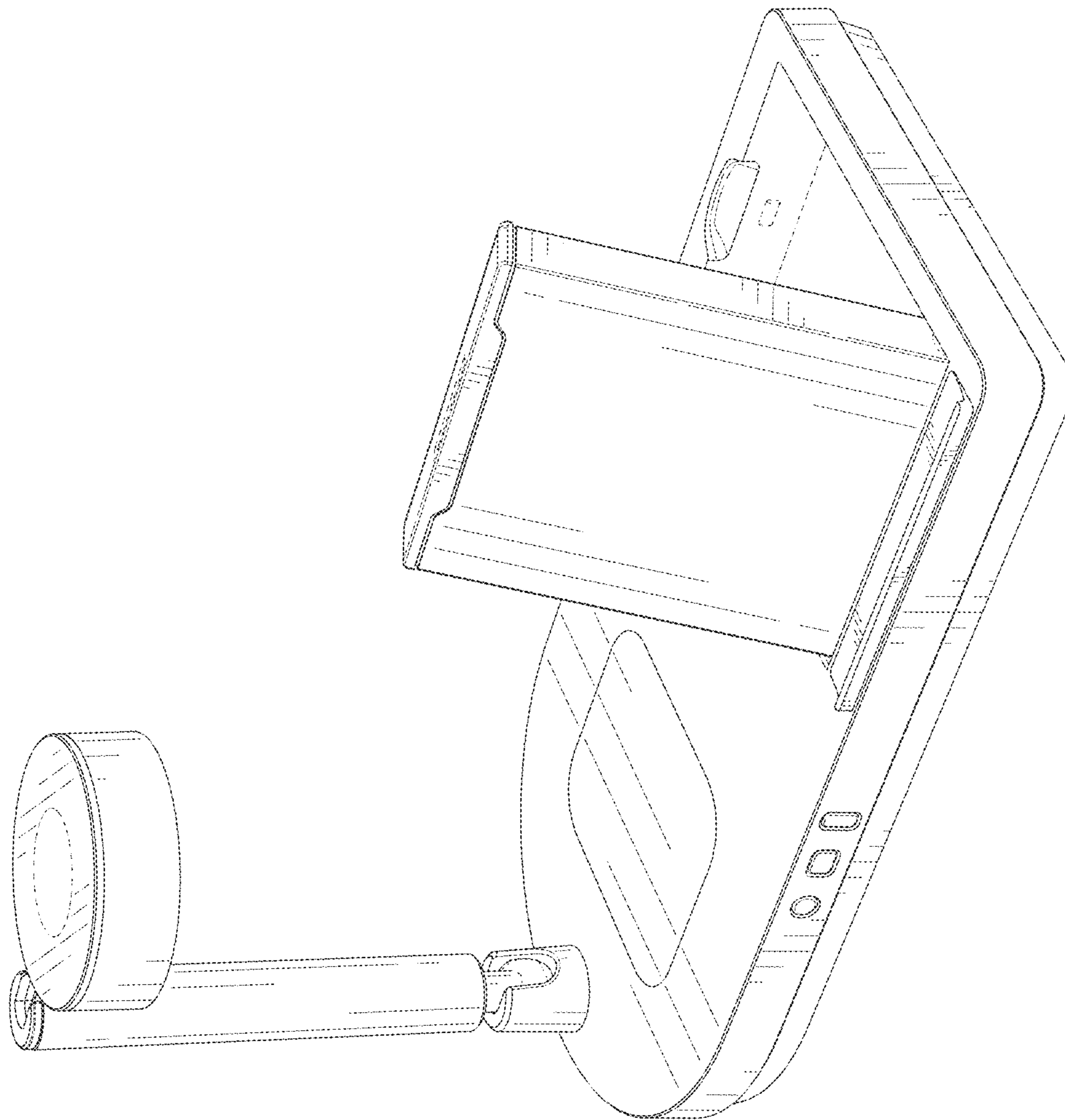


FIG. 9

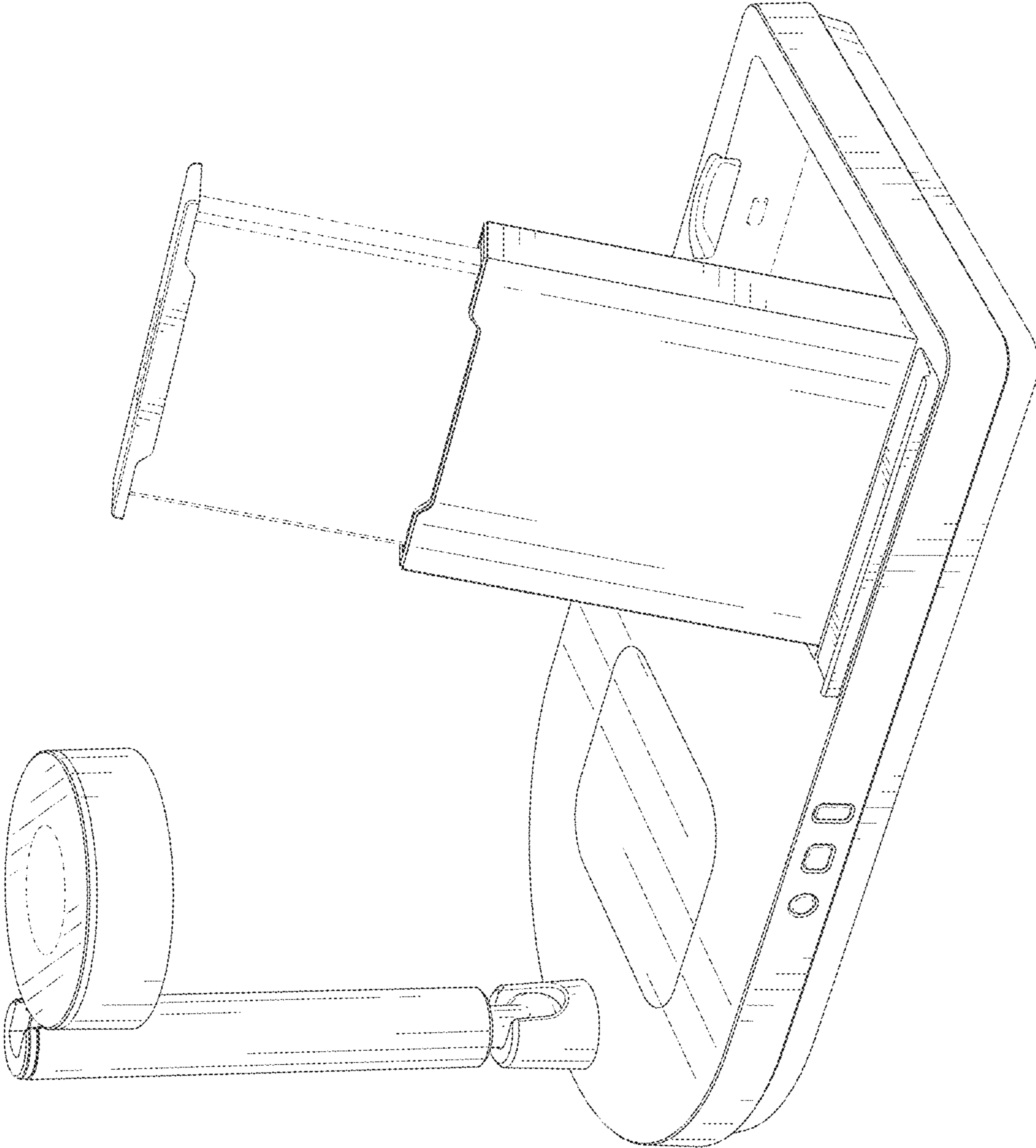


FIG. 10