



US00D971136S

(12) **United States Design Patent**
Guan

(10) **Patent No.:** **US D971,136 S**

(45) **Date of Patent:** **** Nov. 29, 2022**

(54) **WALL-MOUNTED CHARGING PILE**

(71) Applicant: **DONGGUAN YINGNA ELECTRONIC TECHNOLOGY CO., LTD**, Dongguan (CN)

(72) Inventor: **Wencheng Guan**, Tengzhou (CN)

(73) Assignee: **DONGGUAN YINGNA ELECTRONIC TECHNOLOGY CO., LTD**, Dongguan (CN)

(**) Term: **15 Years**

(21) Appl. No.: **29/836,236**

(22) Filed: **Apr. 25, 2022**

(51) **LOC (13) Cl.** **13-02**

(52) **U.S. Cl.**
USPC **D13/107**

(58) **Field of Classification Search**
USPC D13/103, 107, 108, 110, 118, 151, 153, D13/154, 155, 184, 138.1, 137.2, 138.2, D13/146, 147
CPC Y02E 60/10; Y02E 60/50; H01M 50/10; H01M 50/107; H01M 50/557; H01M 50/209; H01M 50/502; H01M 2220/30; H02J 7/00; H02J 7/0003; H02J 7/0011; H02J 7/0013; H02J 7/0054; H02J 7/0055; H02J 7/0057

See application file for complete search history.

(56) **References Cited**

U.S. PATENT DOCUMENTS

D626,063 S *	10/2010	Cutter	D13/107
D664,918 S *	8/2012	Brandys	D13/107
D665,733 S *	8/2012	Petrie	D13/107
D680,952 S *	4/2013	Henderson	D13/108
D736,716 S *	8/2015	Hough	D13/162
D795,802 S *	8/2017	Inagaki	D13/107
D811,998 S *	3/2018	Wang	D13/107
D842,242 S	3/2019	Zhang et al.	

D845,892 S *	4/2019	Shum	D13/107
D859,305 S *	9/2019	Barajas	D13/107
D870,037 S *	12/2019	Lee	D13/107
D870,039 S *	12/2019	Wang	D13/108
D875,038 S *	2/2020	Dröge	D13/107
D884,613 S *	5/2020	Minkyo	D13/107

(Continued)

OTHER PUBLICATIONS

Amazon.com: Shell Portable Electric Vehicle Charger . . . Date first available of Mar. 19, 2021. Retrieved from the internet at <https://www.amazon.com/dp/B08ZJ6ZSRQ/>, Sep. 8, 2022. 1 page. (Year: 2021).*

Primary Examiner — Christy Nemeth

(74) *Attorney, Agent, or Firm* — Georgi Korobanov

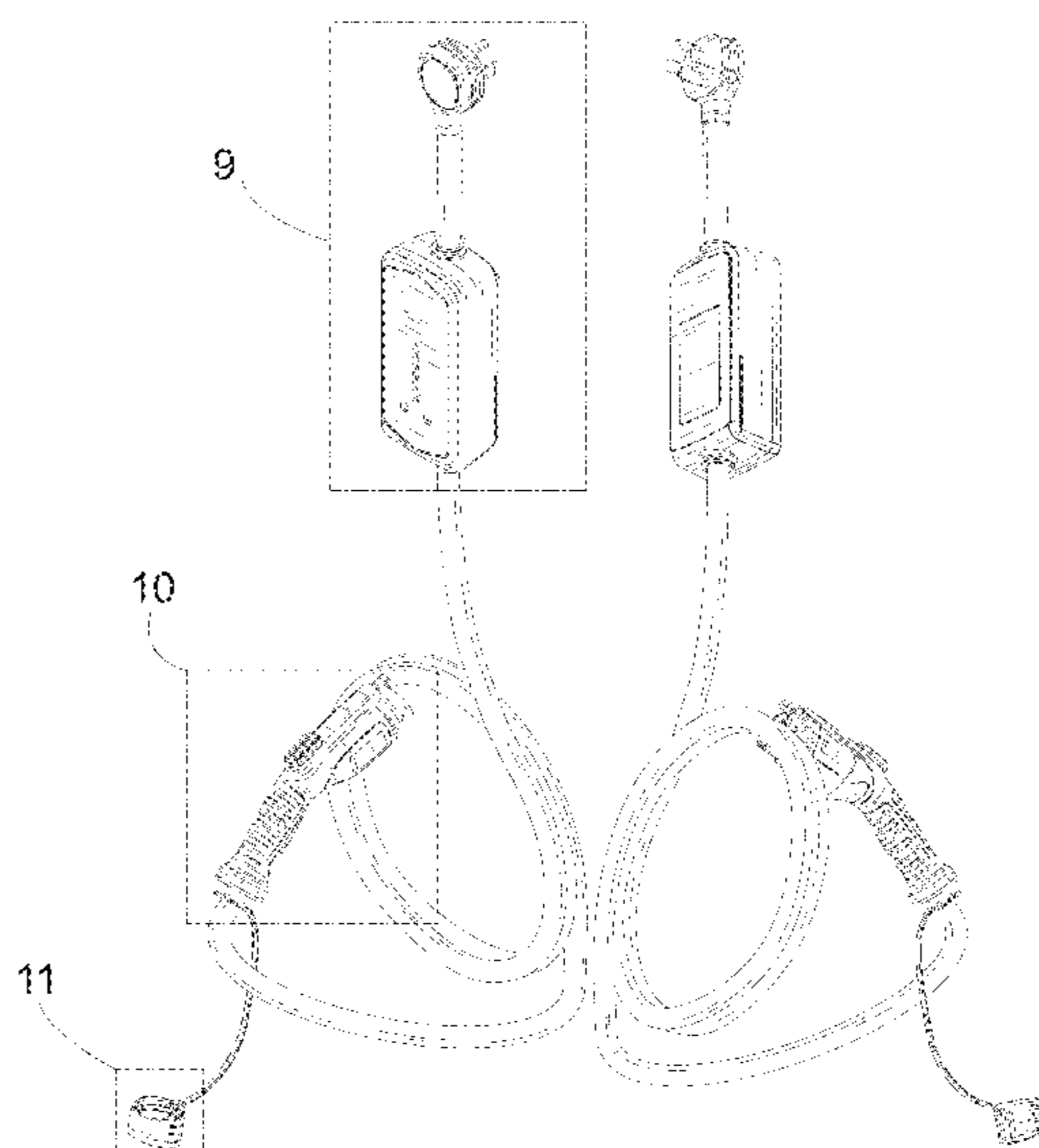
(57) **CLAIM**

The ornamental design for a wall-mounted charging pile, as shown and described.

DESCRIPTION

FIG. 1 is a perspective view of a wall-mounted charging pile, showing my new design;
FIG. 2 is another perspective view thereof;
FIG. 3 is a front view thereof;
FIG. 4 is a rear view thereof;
FIG. 5 is a left side view thereof;
FIG. 6 is a right side view thereof;
FIG. 7 is an enlarged top plan view thereof;
FIG. 8 is an enlarged bottom plan view thereof;
FIG. 9 is an enlarged view of portion 9 shown in FIG. 1;
FIG. 10 is an enlarged view of portion 10 shown in FIG. 1;
and,
FIG. 11 is an enlarged view of portion 11 shown in FIG. 1.
The dash-dot broken lines in the drawings are for the purpose of illustrating the bounds of the portions shown enlarged in the views, and form no part of the claimed design.

1 Claim, 11 Drawing Sheets



(56)

References Cited

U.S. PATENT DOCUMENTS

D888,657	S	*	6/2020	Helnerus	D13/107
D890,094	S	*	7/2020	Liao	D13/110
D892,726	S		8/2020	Wang et al.	
D892,729	S	*	8/2020	Helnerus	D13/107
D902,846	S	*	11/2020	Luo	D13/107
D903,586	S	*	12/2020	Jiang	D13/107
D911,924	S	*	3/2021	Xie	D13/103
D930,602	S	*	9/2021	Alfredsson	D13/184
D943,528	S	*	2/2022	Zhang	D13/110
D948,424	S	*	4/2022	Emi	D13/107
D952,555	S	*	5/2022	Cheng	D13/107
D952,558	S	*	5/2022	Naeem	D13/108
D954,647	S	*	6/2022	Yin	D13/110
D955,341	S	*	6/2022	Inskeep	D13/110
D958,065	S	*	7/2022	Kaneda	D13/107
D958,734	S	*	7/2022	Steenwyk	D13/107
D959,364	S	*	8/2022	Steenwyk	D13/107
D961,595	S	*	8/2022	Saweris	D13/110
D962,945	S	*	9/2022	Saweris	D13/110

* cited by examiner

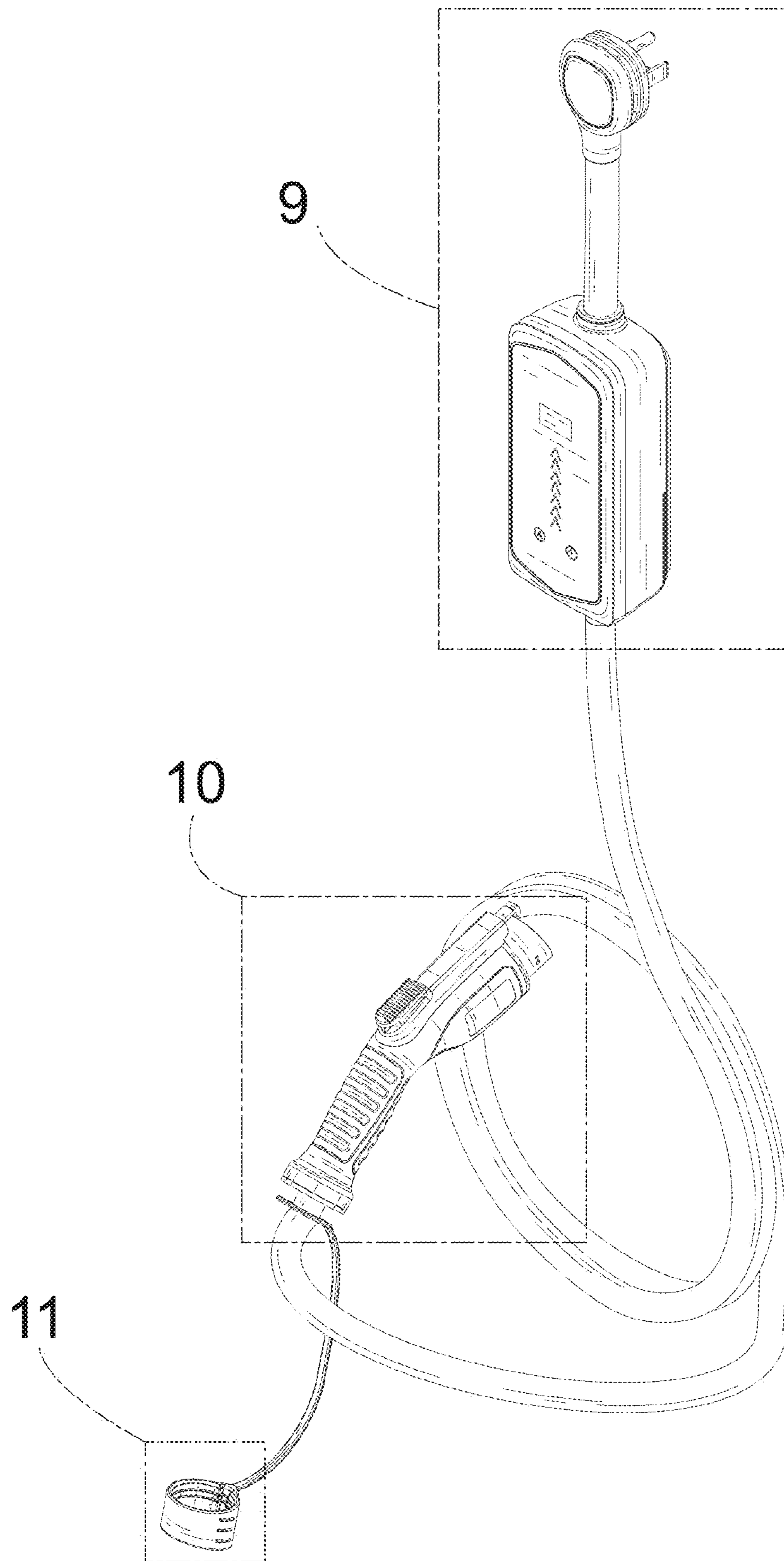


FIG. 1

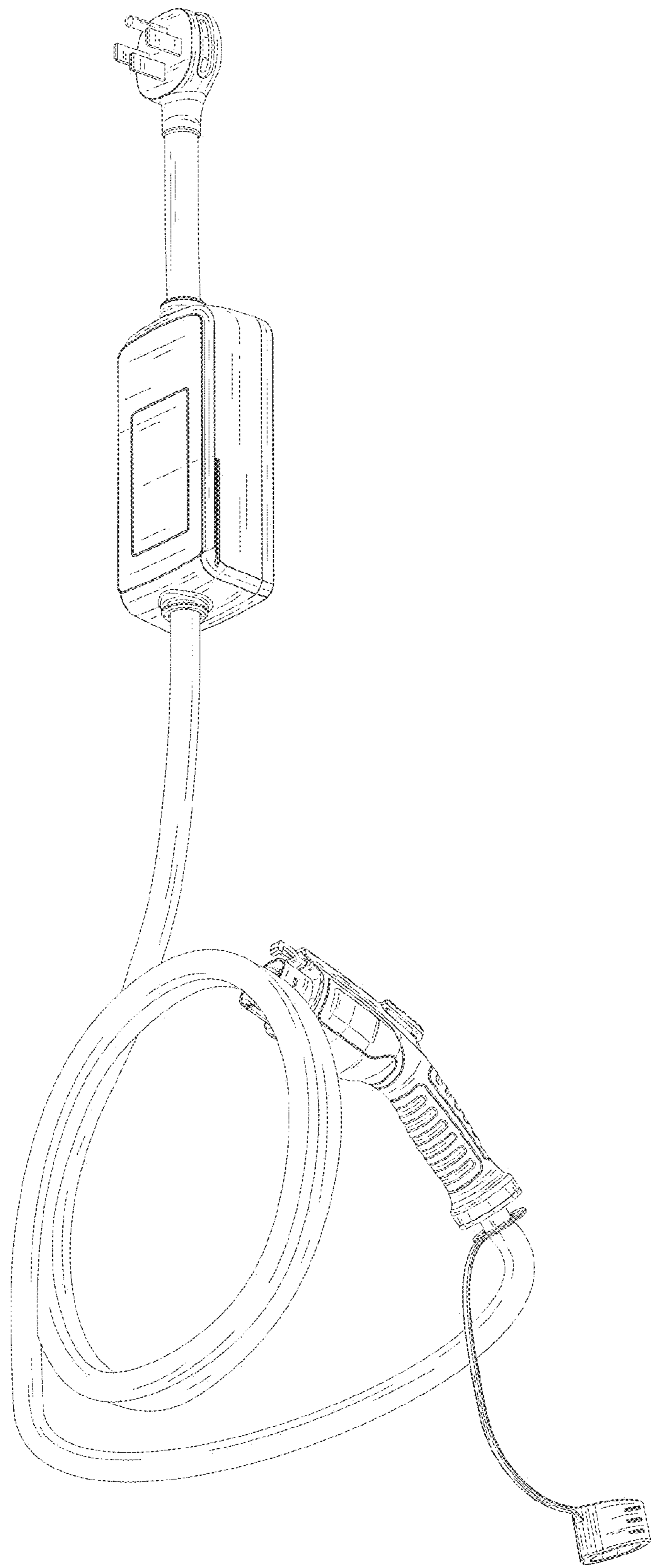


FIG. 2

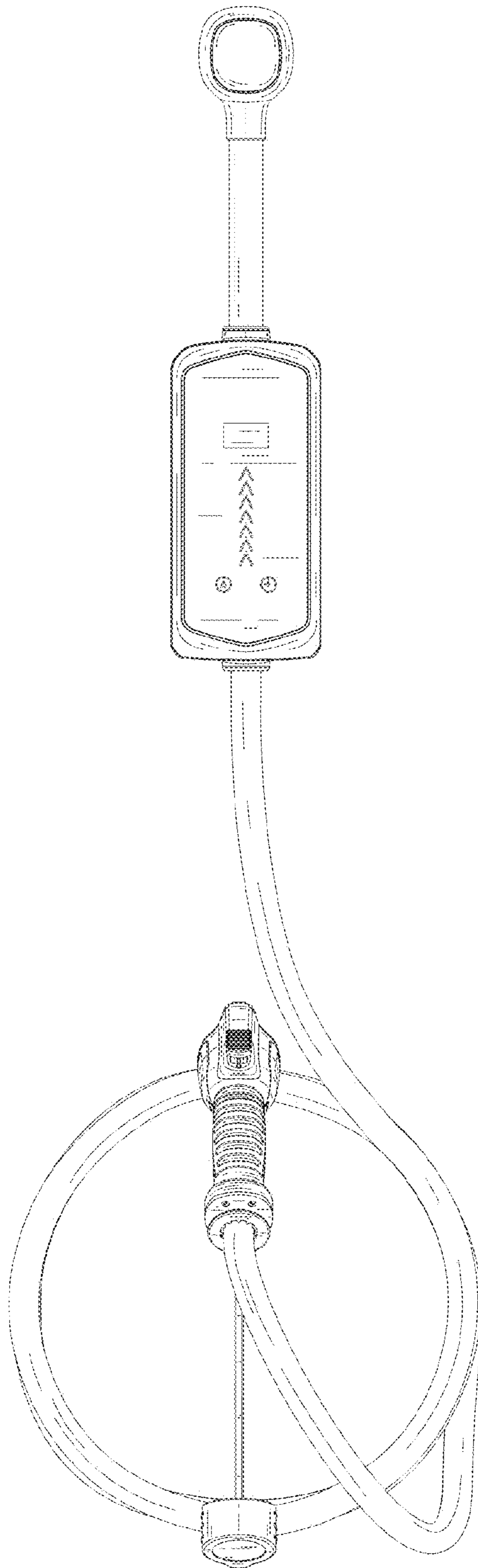


FIG. 3

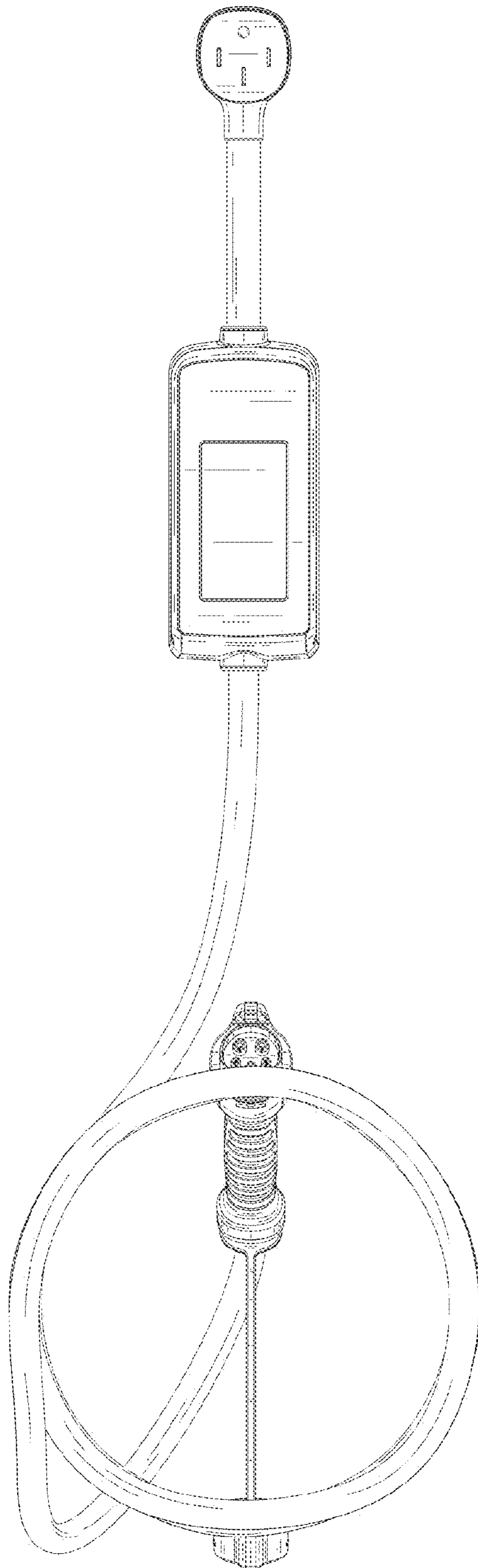


FIG. 4

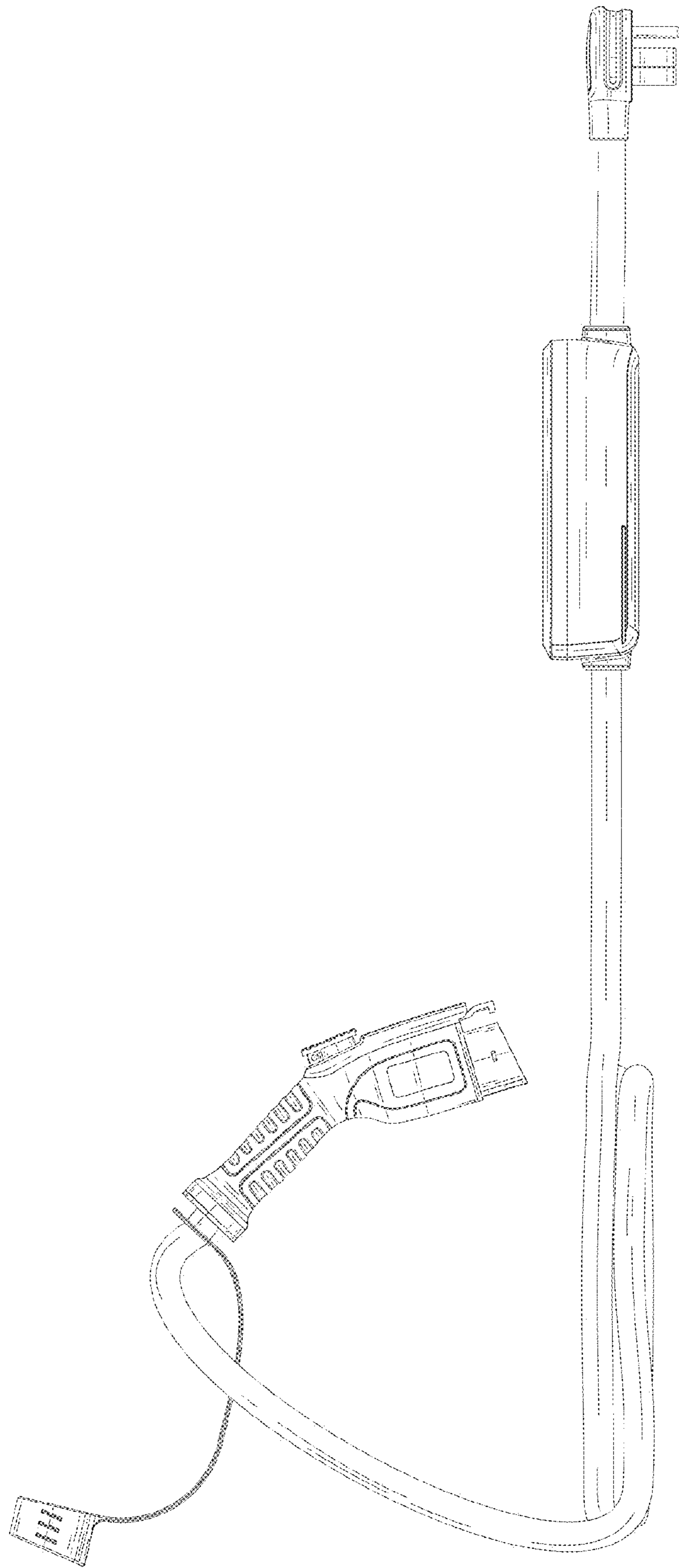


FIG. 5

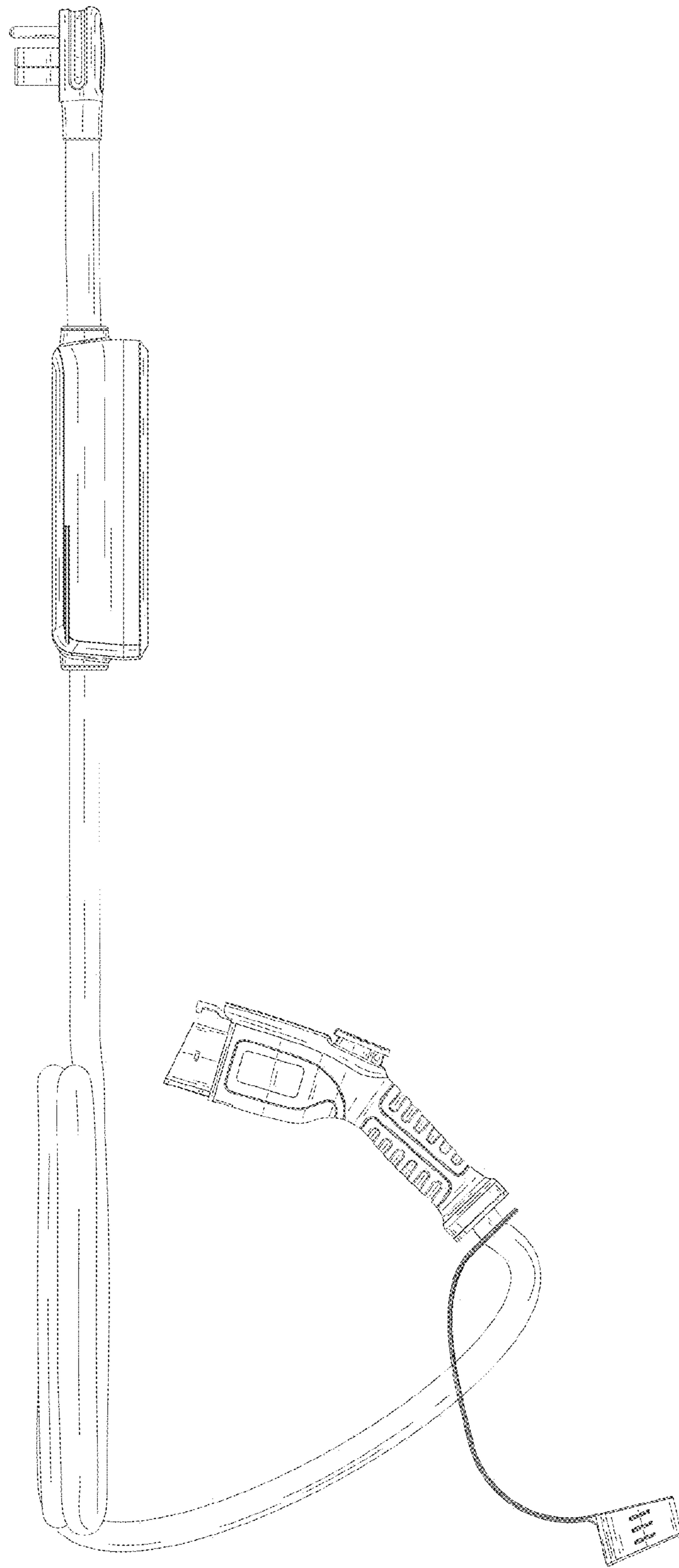


FIG. 6

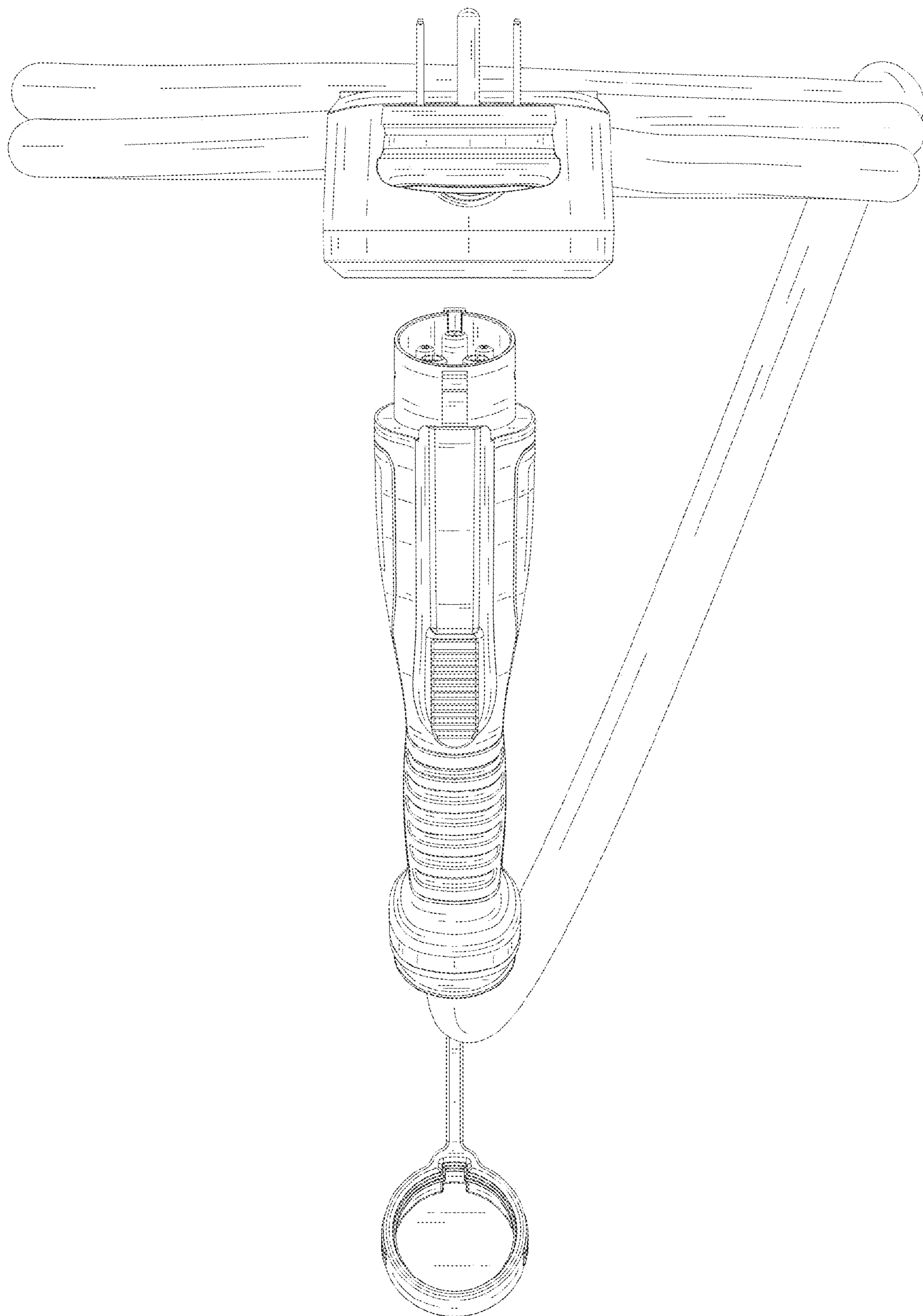


FIG. 7

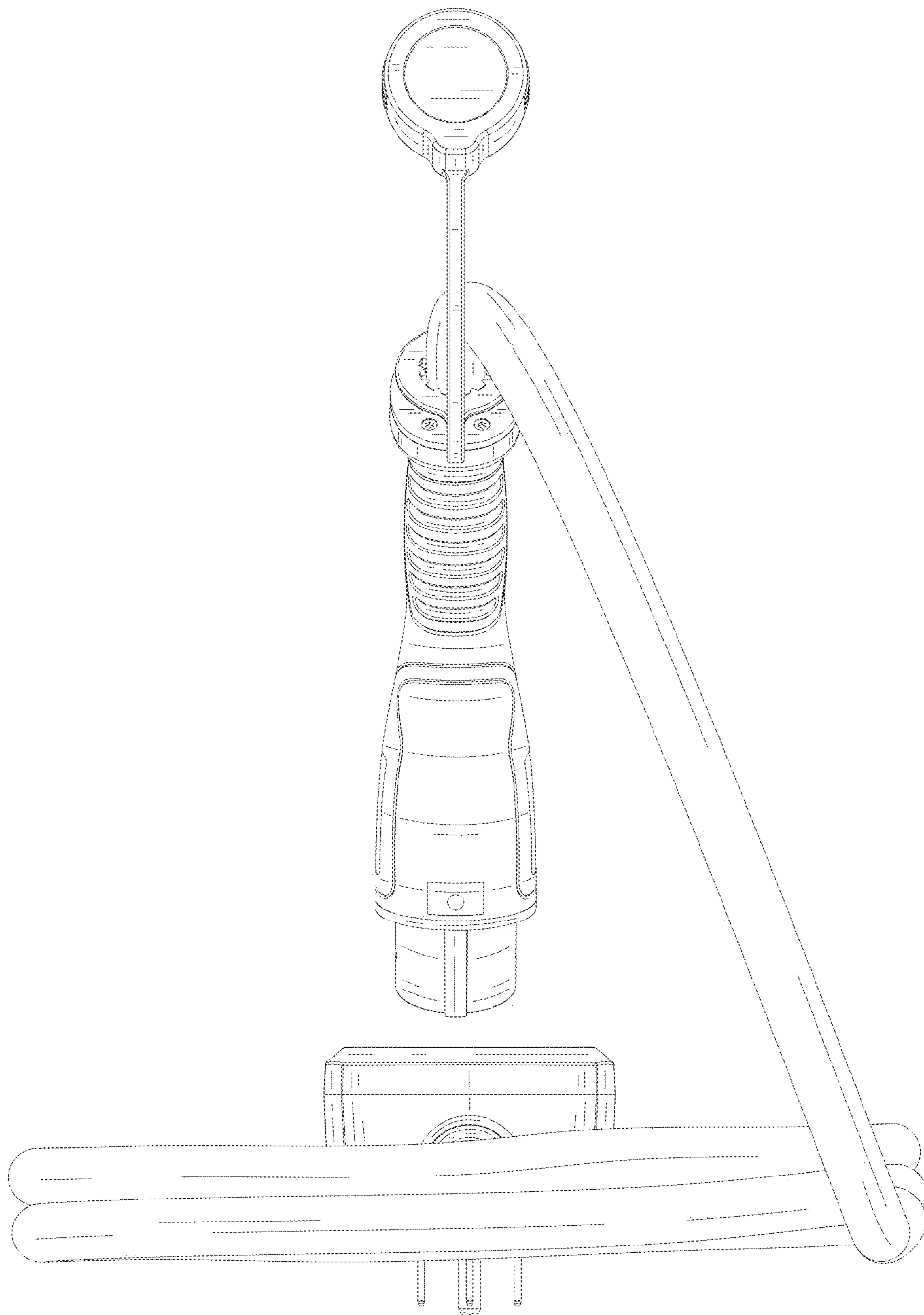


FIG. 8

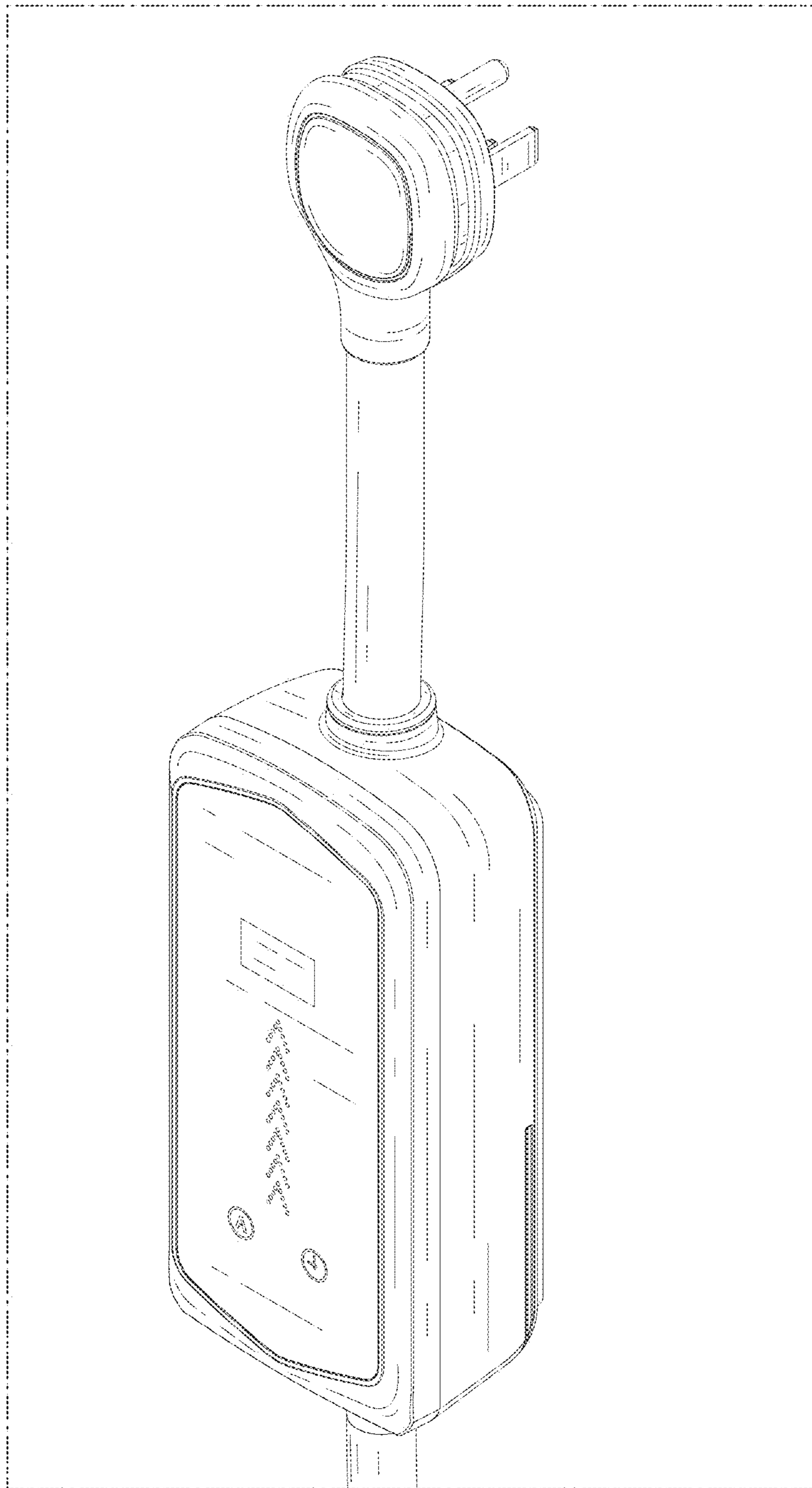


FIG. 9

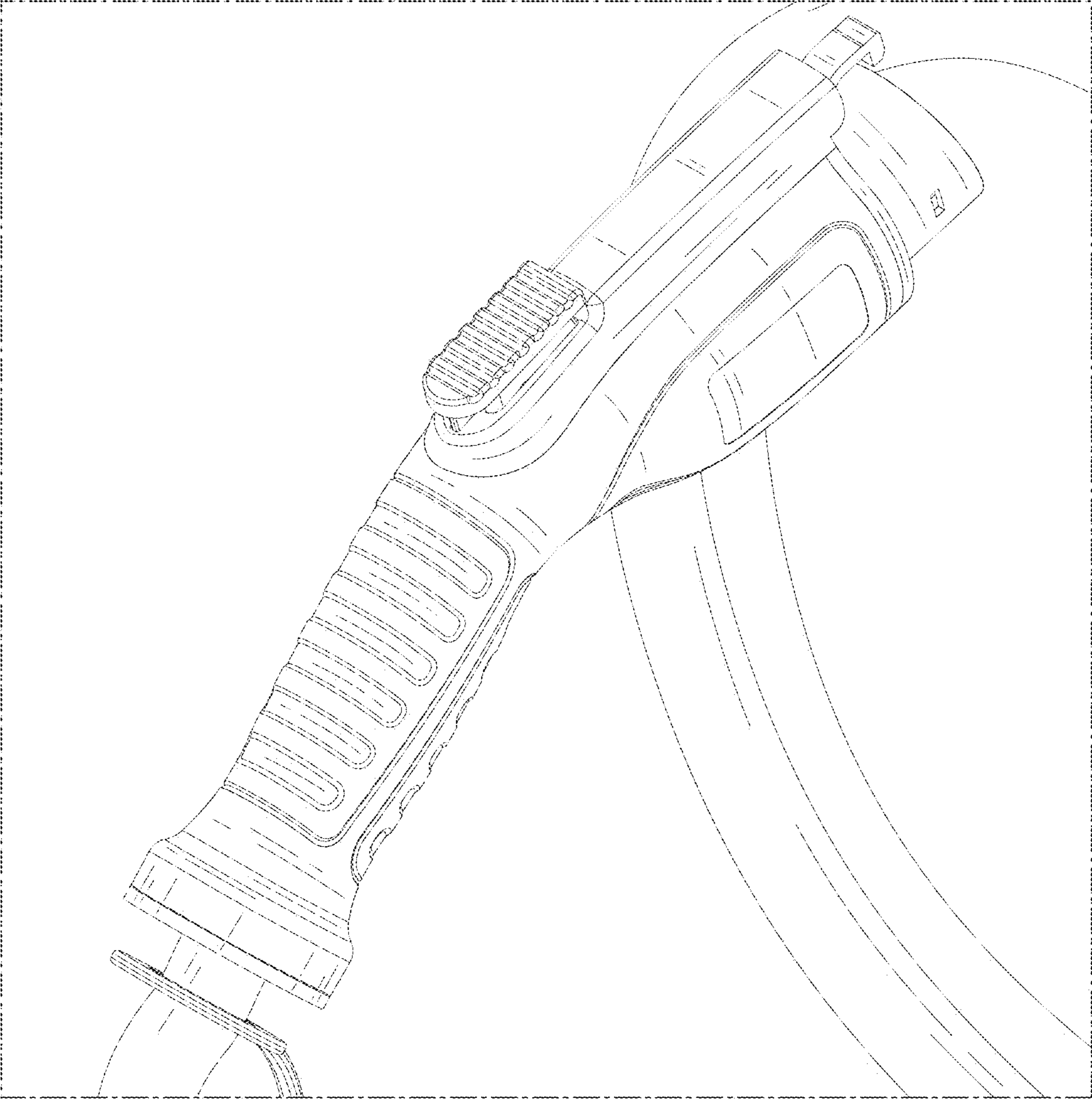


FIG. 10

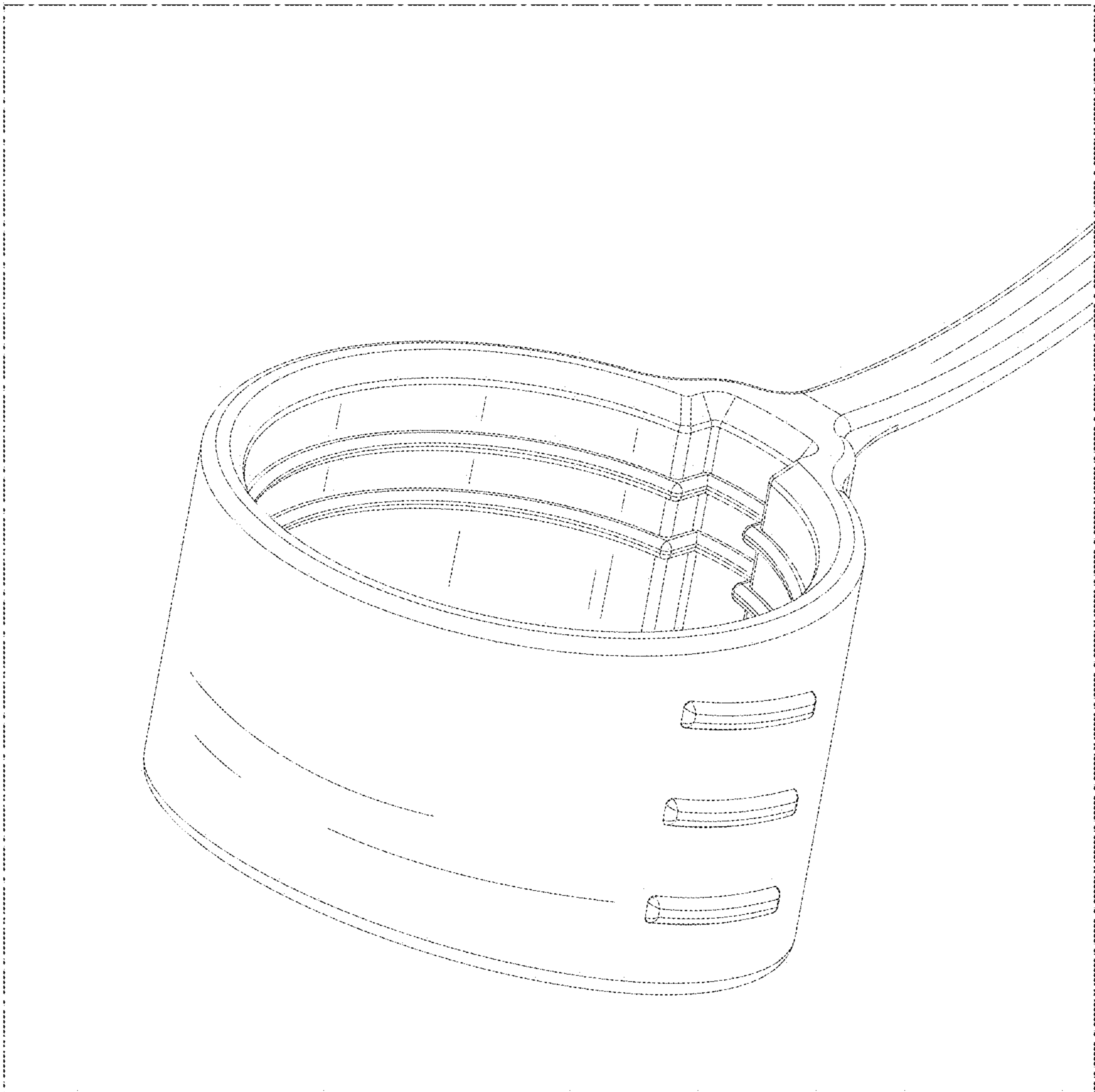


FIG. 11