



US00D971134S

(12) **United States Design Patent**
Weng

(10) **Patent No.:** **US D971,134 S**

(45) **Date of Patent:** **** Nov. 29, 2022**

(54) **PHONE CHARGING HOLDER**

(71) Applicant: **SHENZHEN GUANGYIPENG TECHNOLOGY CO., LTD.**, Shenzhen (CN)

(72) Inventor: **Jie Weng**, Shenzhen (CN)

(73) Assignee: **SHENZHEN GUANGYIPENG TECHNOLOGY CO., LTD.**, Shenzhen (CN)

(**) Term: **15 Years**

(21) Appl. No.: **29/759,373**

(22) Filed: **Nov. 23, 2020**

(51) **LOC (13) Cl.** **13-02**

(52) **U.S. Cl.**
USPC **D13/107**

(58) **Field of Classification Search**

USPC D13/107-110, 118, 119, 184, 199, 163;
D14/251, 253, 432, 434, 447

CPC Y02E 60/12; H02J 7/025; H02J 7/0042;
H02J 7/0044; H02J 7/0045; H02J 7/0003;
H02J 7/0027; H02J 7/0013; H02J 7/0054;
H02J 7/00; H02J 2001/008; H02J 3/32;
H02J 3/008; H01F 38/14; H01R 13/6675;
H01M 2/1022; H01M 2/1055; H01M
10/44; H01M 10/46; H01M 10/425; B60L
11/182; B60L 11/1809; B60L 11/1861;
B60R 16/03

See application file for complete search history.

(56) **References Cited**

U.S. PATENT DOCUMENTS

D783,592 S * 4/2017 Ju D14/253
D783,593 S * 4/2017 Chen D14/253
D807,339 S * 1/2018 Lan D14/253
D820,247 S * 6/2018 Ahn D14/253

D823,847 S * 7/2018 Lebovitz D14/253
D826,225 S * 8/2018 Chen D14/253
D840,999 S * 2/2019 Hu D14/253

(Continued)

Primary Examiner — Christy Nemeth

(57) **CLAIM**

The ornamental design for a phone charging holder, as shown and described.

DESCRIPTION

FIG. 1 is a perspective view of a phone charging holder showing my new design;

FIG. 2 is another perspective view thereof;

FIG. 3 is a front elevational view thereof;

FIG. 4 is a rear elevational view thereof;

FIG. 5 is a left side elevational view thereof;

FIG. 6 is a right side elevational view thereof;

FIG. 7 is a top plan view thereof;

FIG. 8 is a bottom plan view thereof;

FIG. 9 is an exploded perspective view of the phone charging holder;

FIG. 10 is a perspective view of the phone charging holder where the phone charging holder is in a configuration of use;

FIG. 11 is a front elevational view thereof;

FIG. 12 is a cross sectional view taken along the line 12-12 shown in FIG. 11;

FIG. 13 is a left side elevational view thereof;

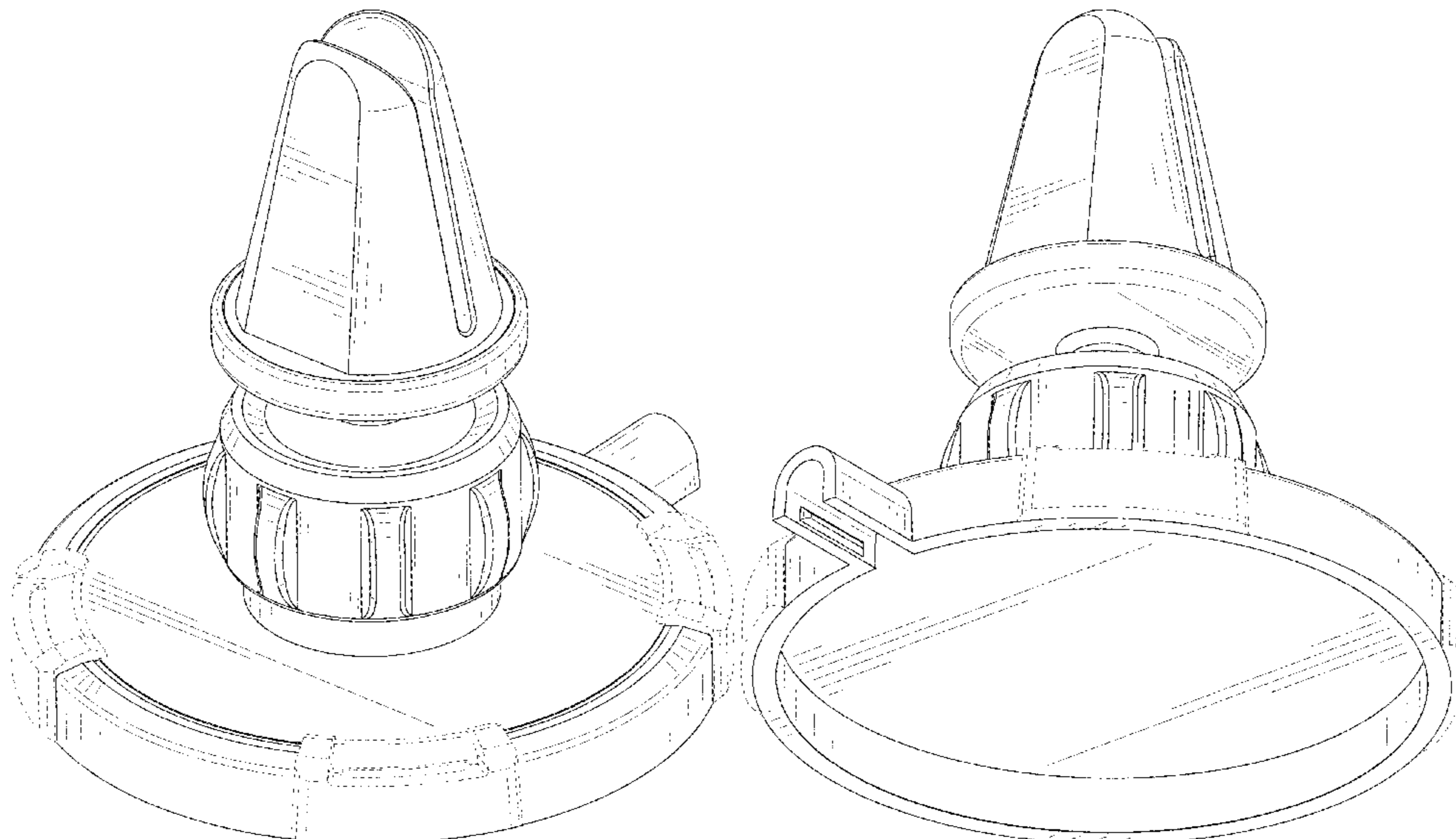
FIG. 14 is a cross sectional view taken along the line 14-14 shown in FIG. 13;

FIG. 15 is an enlarged view of portion 15 shown in FIG. 12; and,

FIG. 16 is an enlarged view of portion 16 shown in FIG. 12.

The dash-dash broken lines in the drawings are for the purpose of illustrating portions of the phone charging holder that form no part of the claimed design. The dot-dash broken lines are for the purpose of illustrating the boundaries of the portions shown enlarged in the views, and form no part of the claimed design.

1 Claim, 16 Drawing Sheets



(56)

References Cited

U.S. PATENT DOCUMENTS

D849,012	S	*	5/2019	Yao	D14/447
D852,188	S	*	6/2019	He	D12/415
D855,552	S	*	8/2019	Chen	D12/415
D860,190	S	*	9/2019	Liao	D14/253
D862,454	S	*	10/2019	Chun	D12/415
D872,014	S	*	1/2020	Zhang	D13/108
D873,260	S	*	1/2020	Dang	D12/415
D882,560	S	*	4/2020	Liao	D14/253
D893,471	S	*	8/2020	Liao	D12/415
D894,891	S	*	9/2020	Zhang	D12/415
D907,626	S	*	1/2021	Barnett	D14/253
D920,888	S	*	6/2021	Miao	D12/415
D934,232	S	*	10/2021	Francis	D12/415
D941,760	S	*	1/2022	Ryan	D13/108
D942,382	S	*	2/2022	Alves	D13/108
D943,569	S	*	2/2022	Zhang	D12/415
D948,496	S	*	4/2022	Liao	D14/253

* cited by examiner

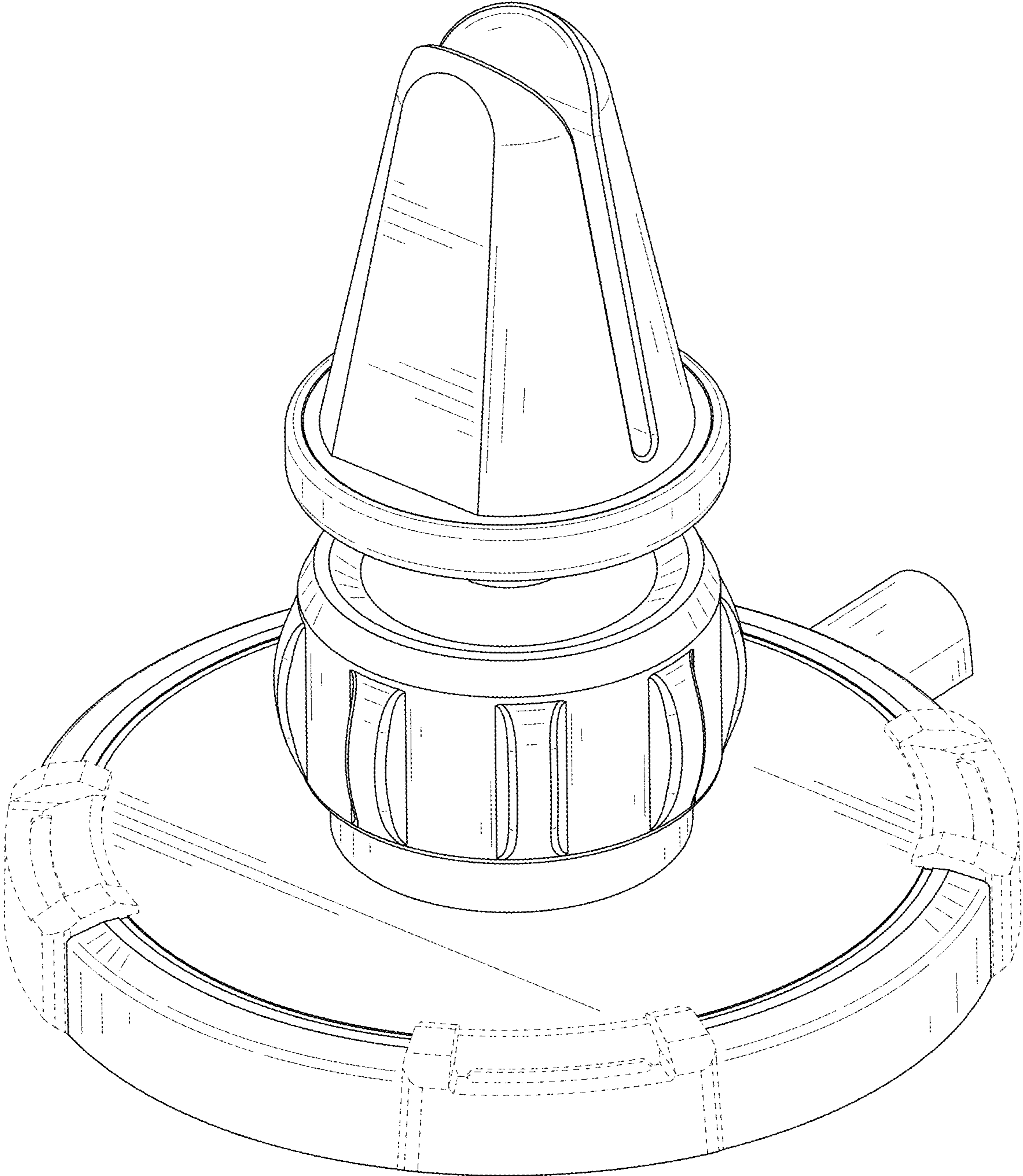


FIG. 1

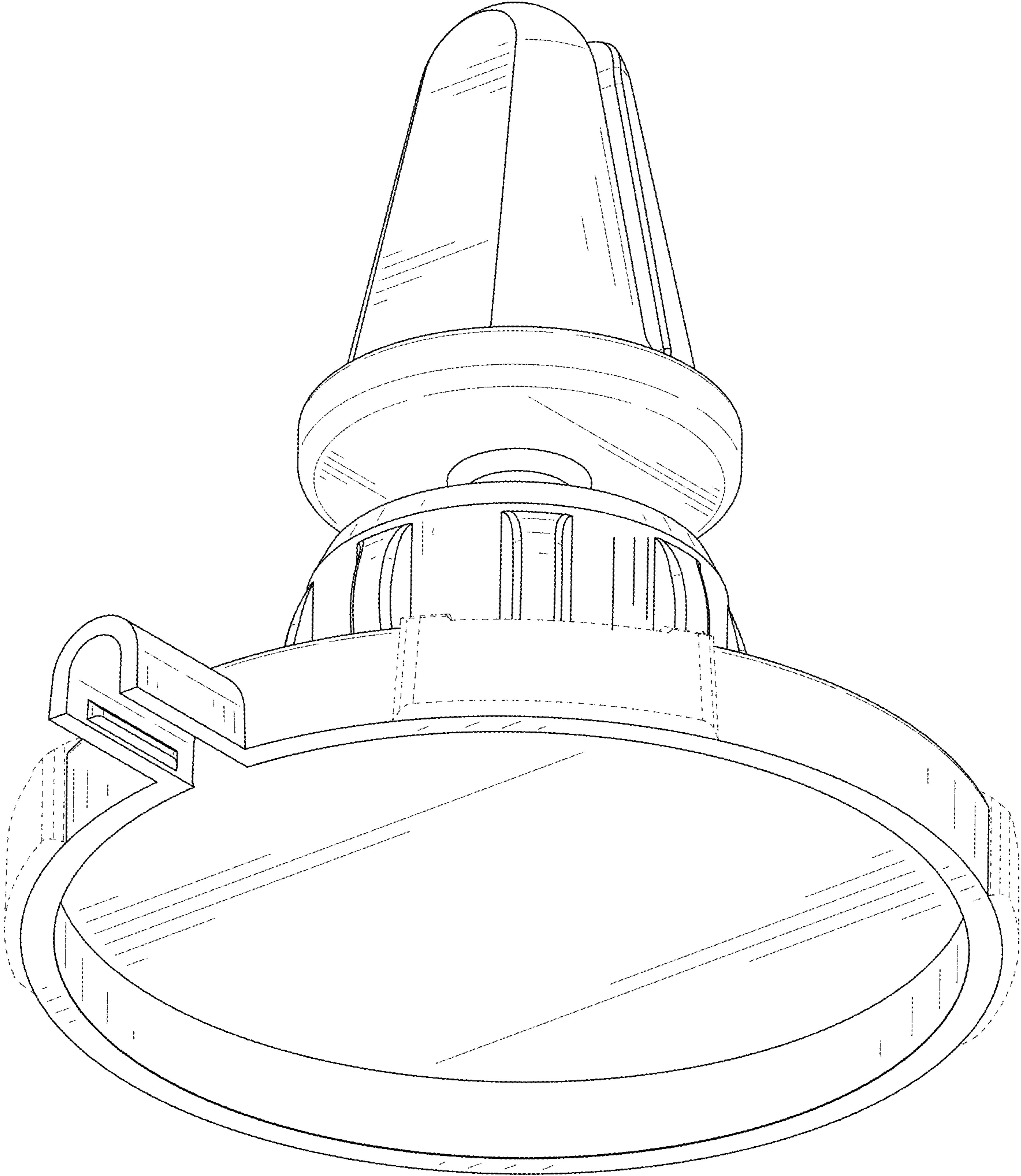


FIG. 2

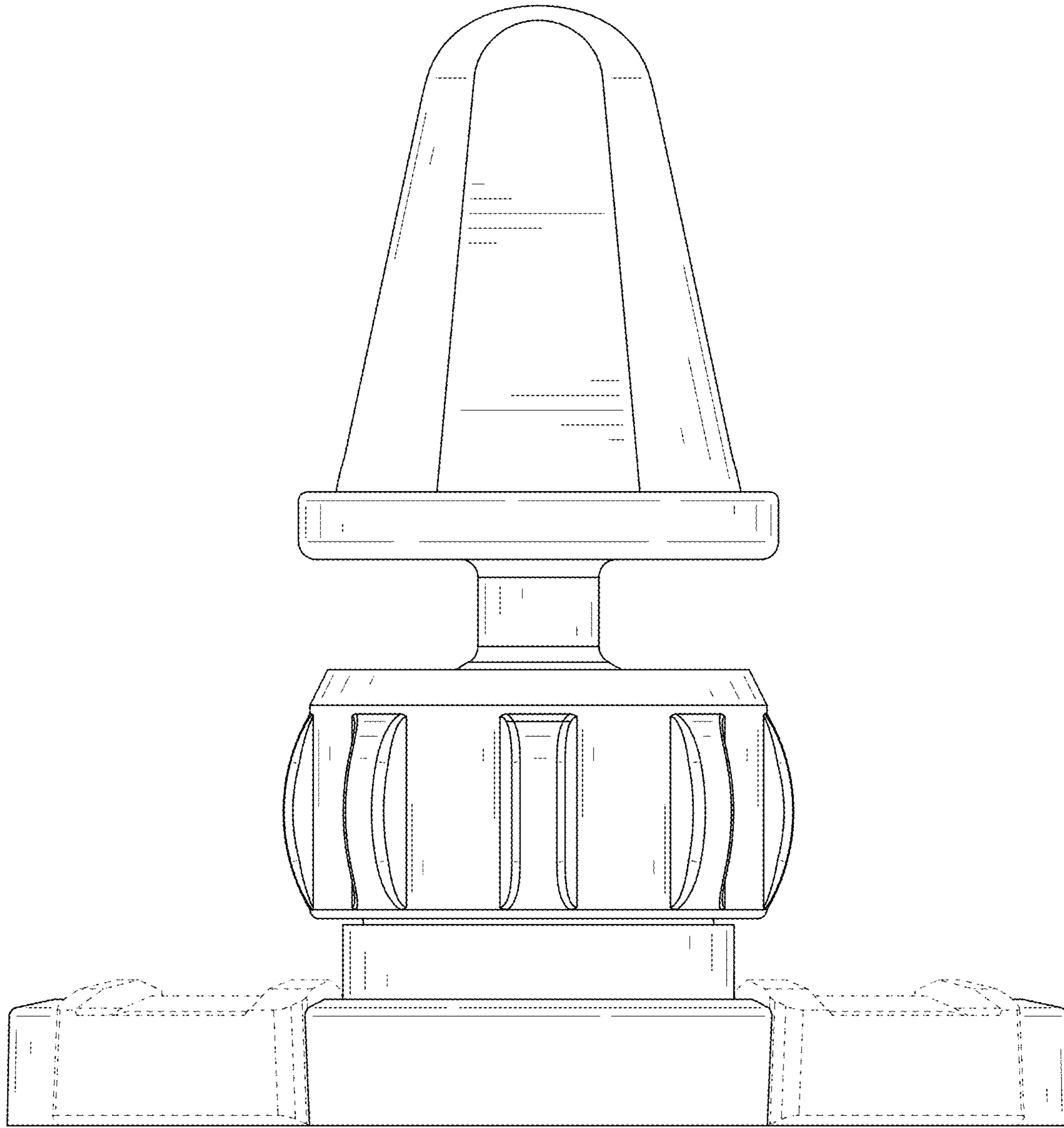


FIG. 3

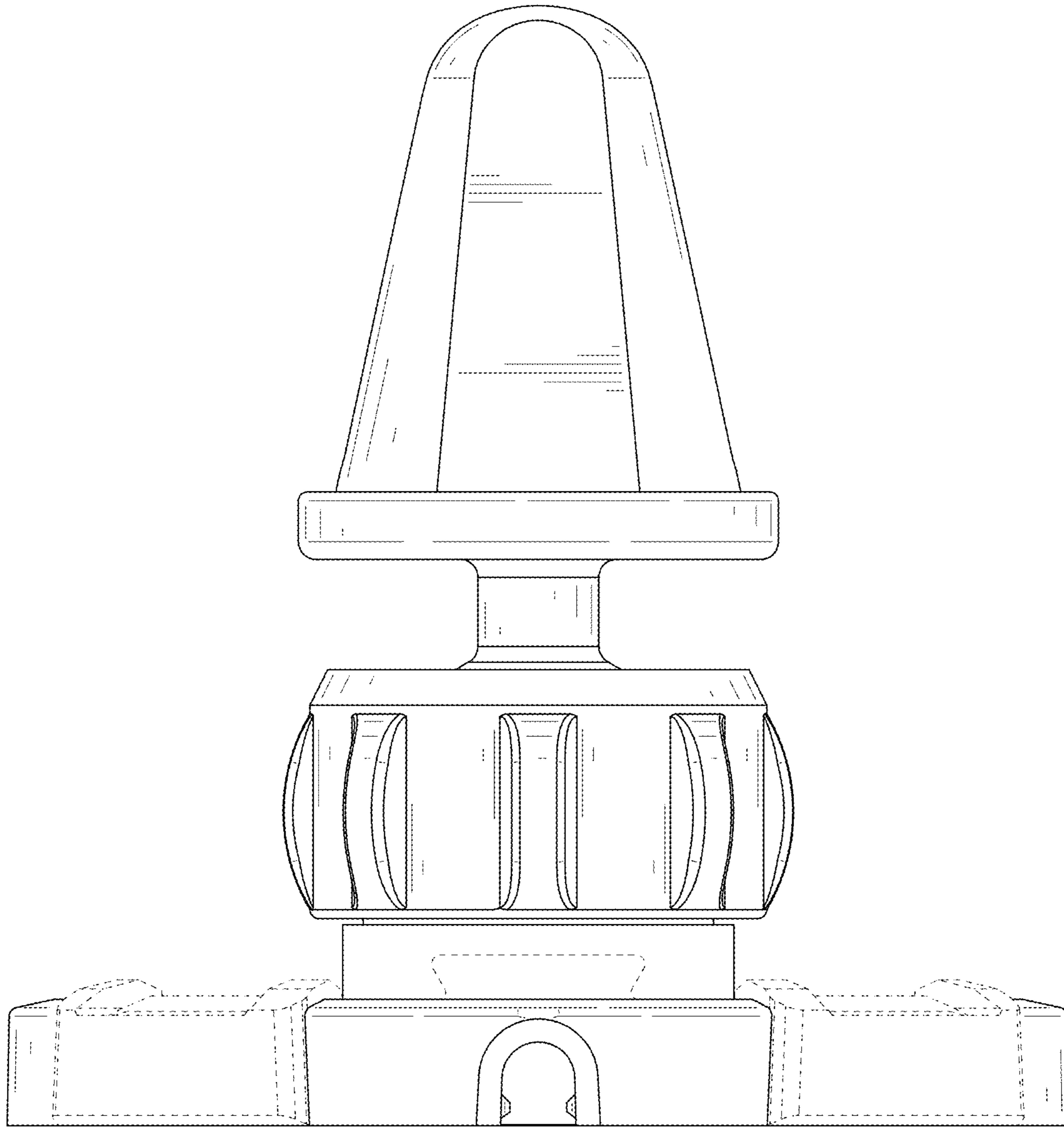


FIG. 4

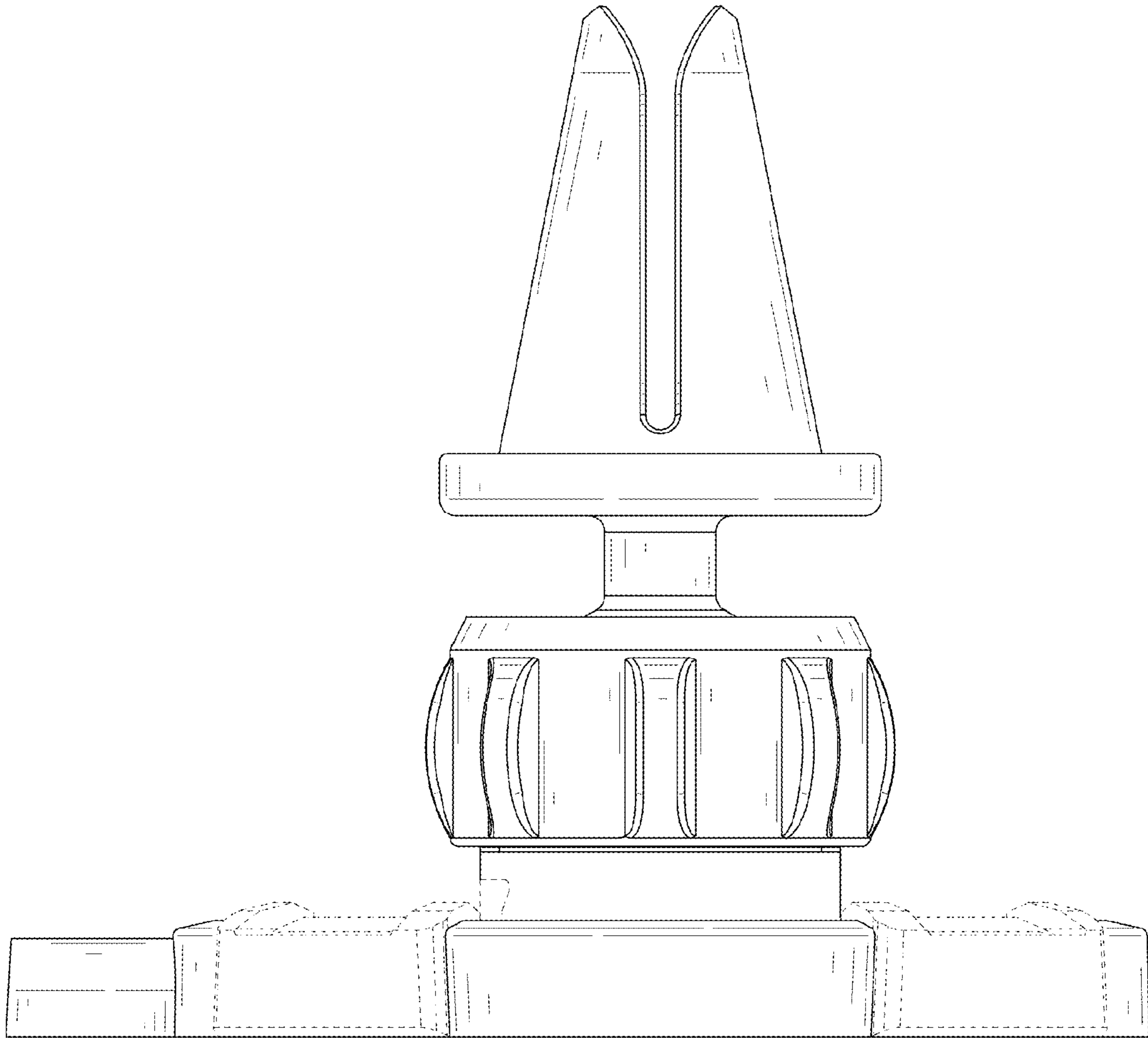


FIG. 5

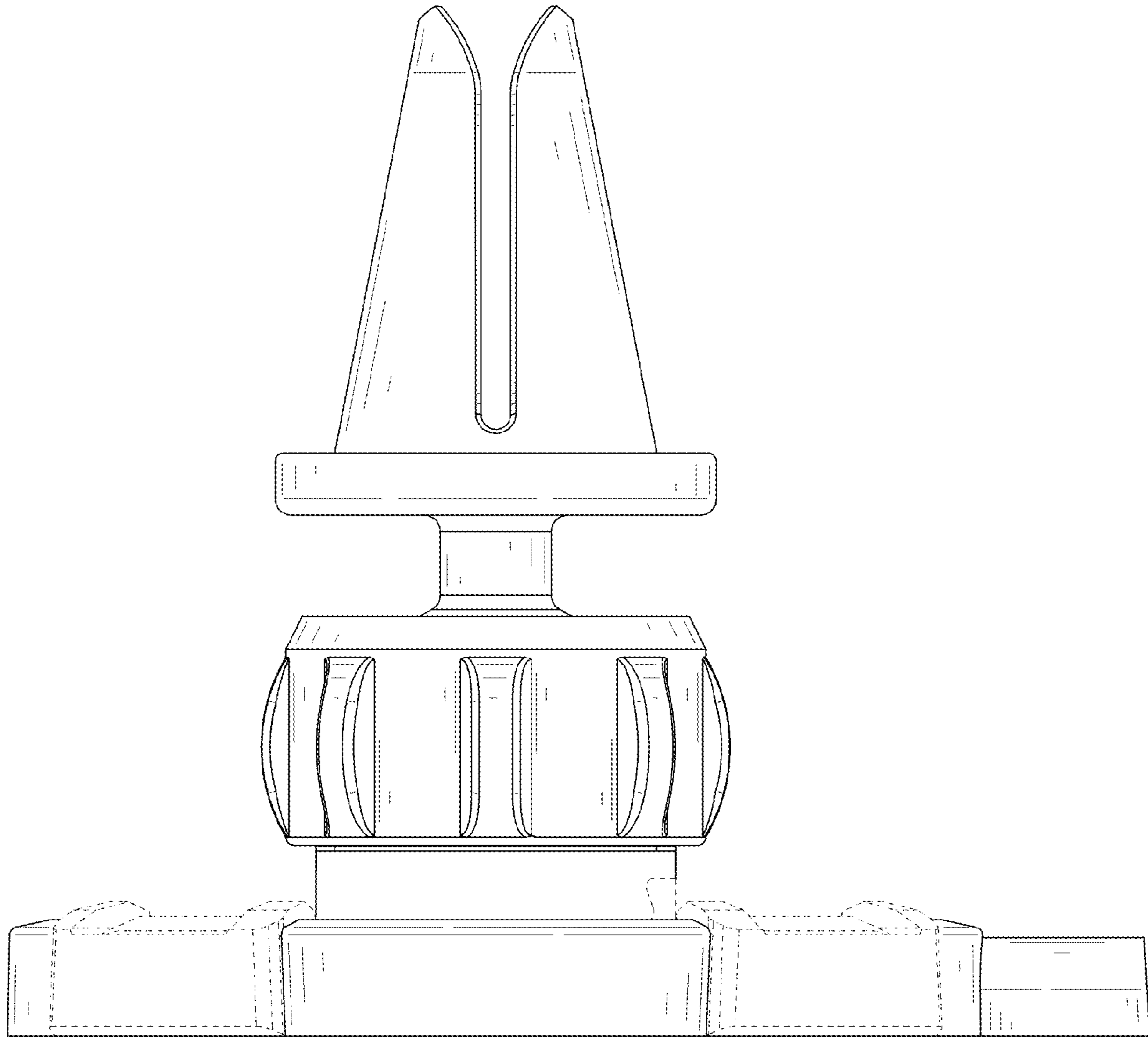


FIG. 6

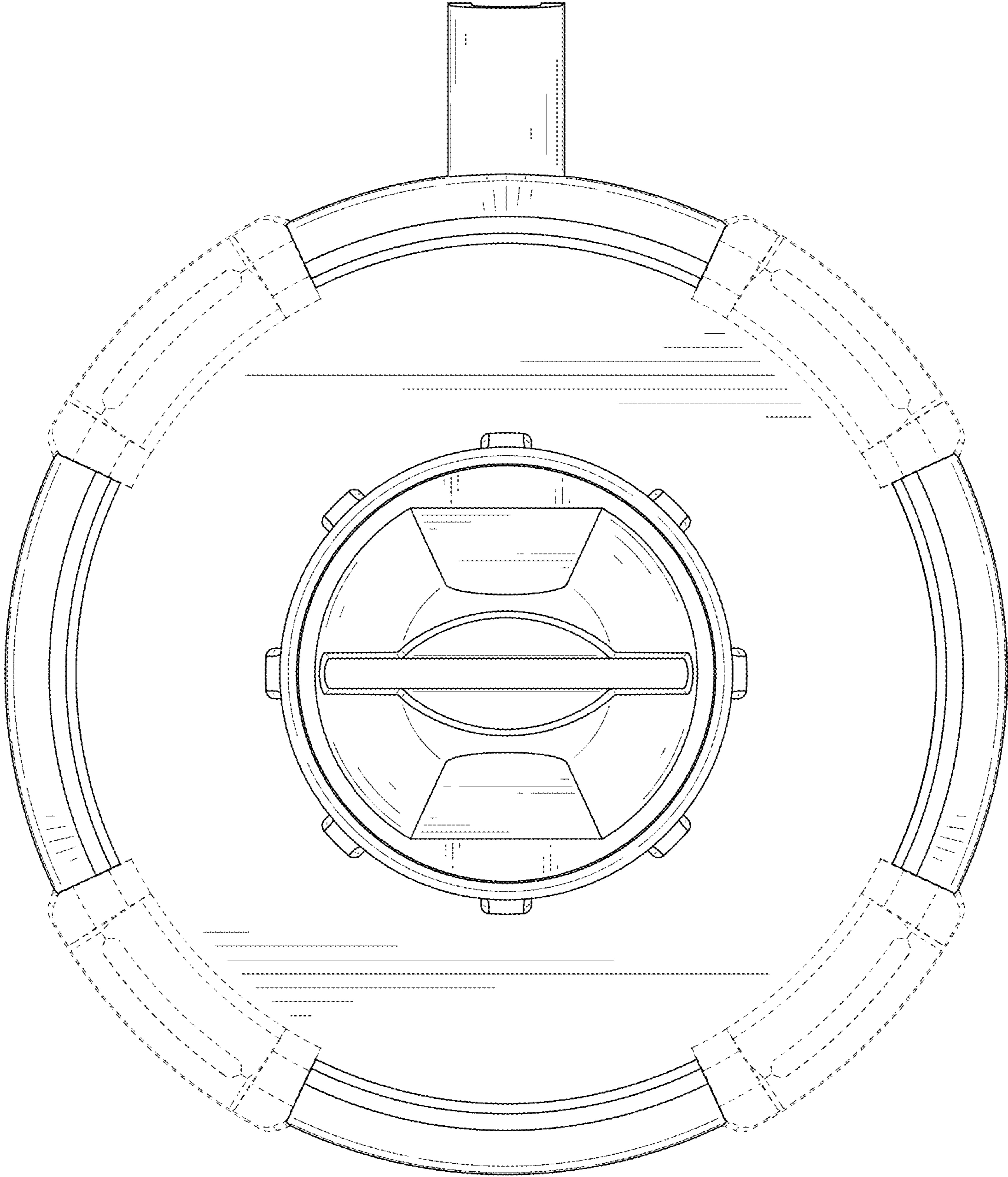


FIG. 7

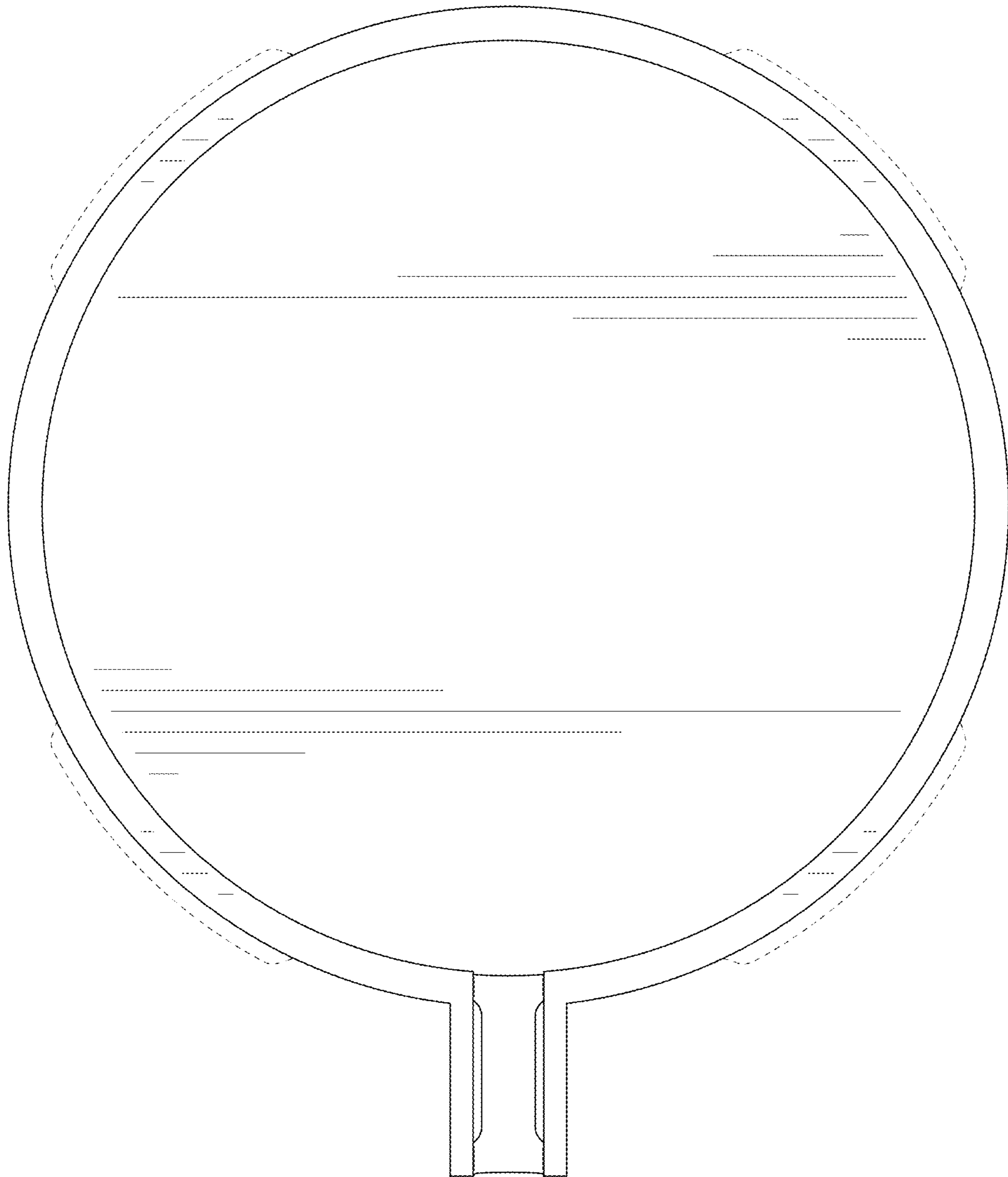


FIG. 8

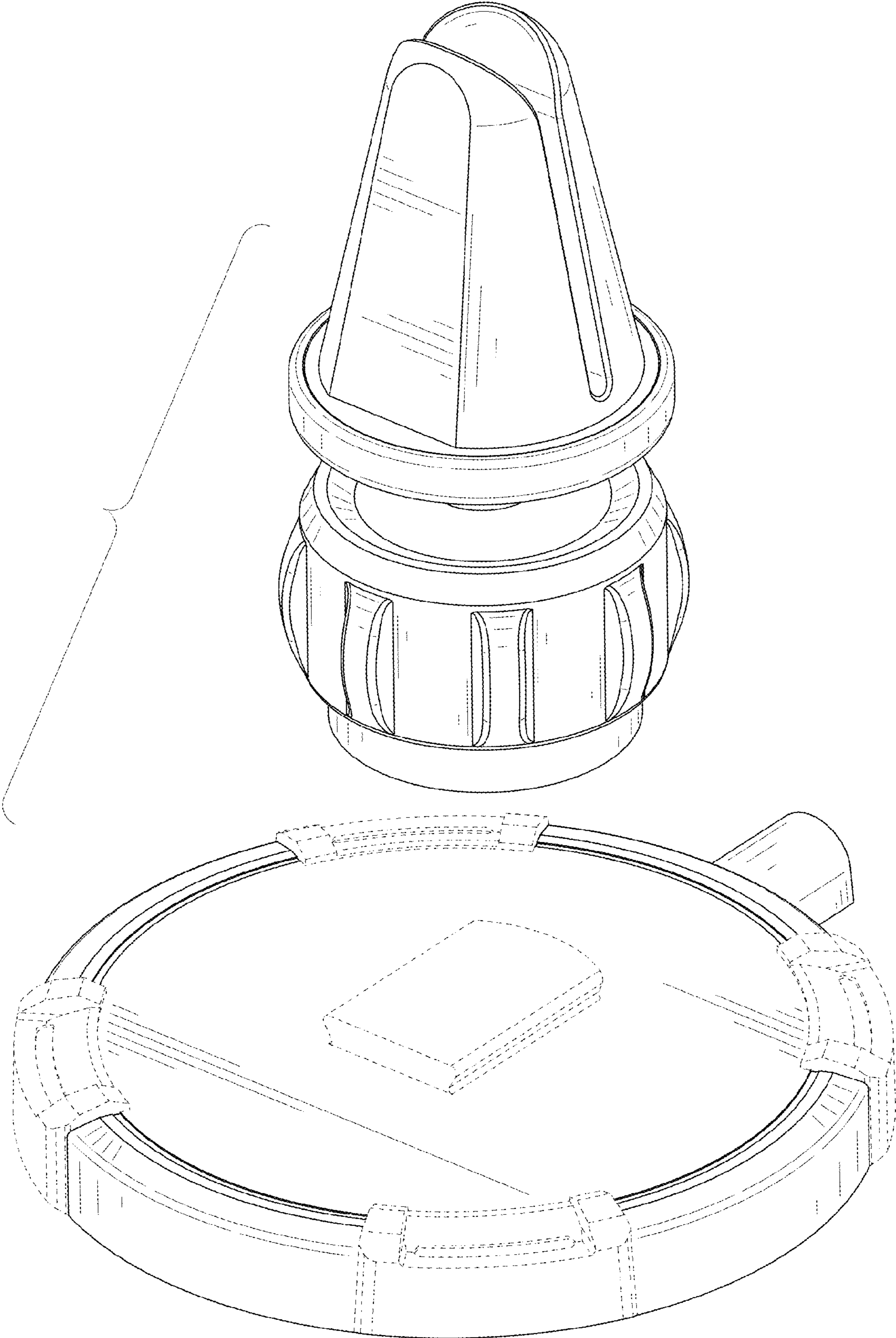


FIG. 9

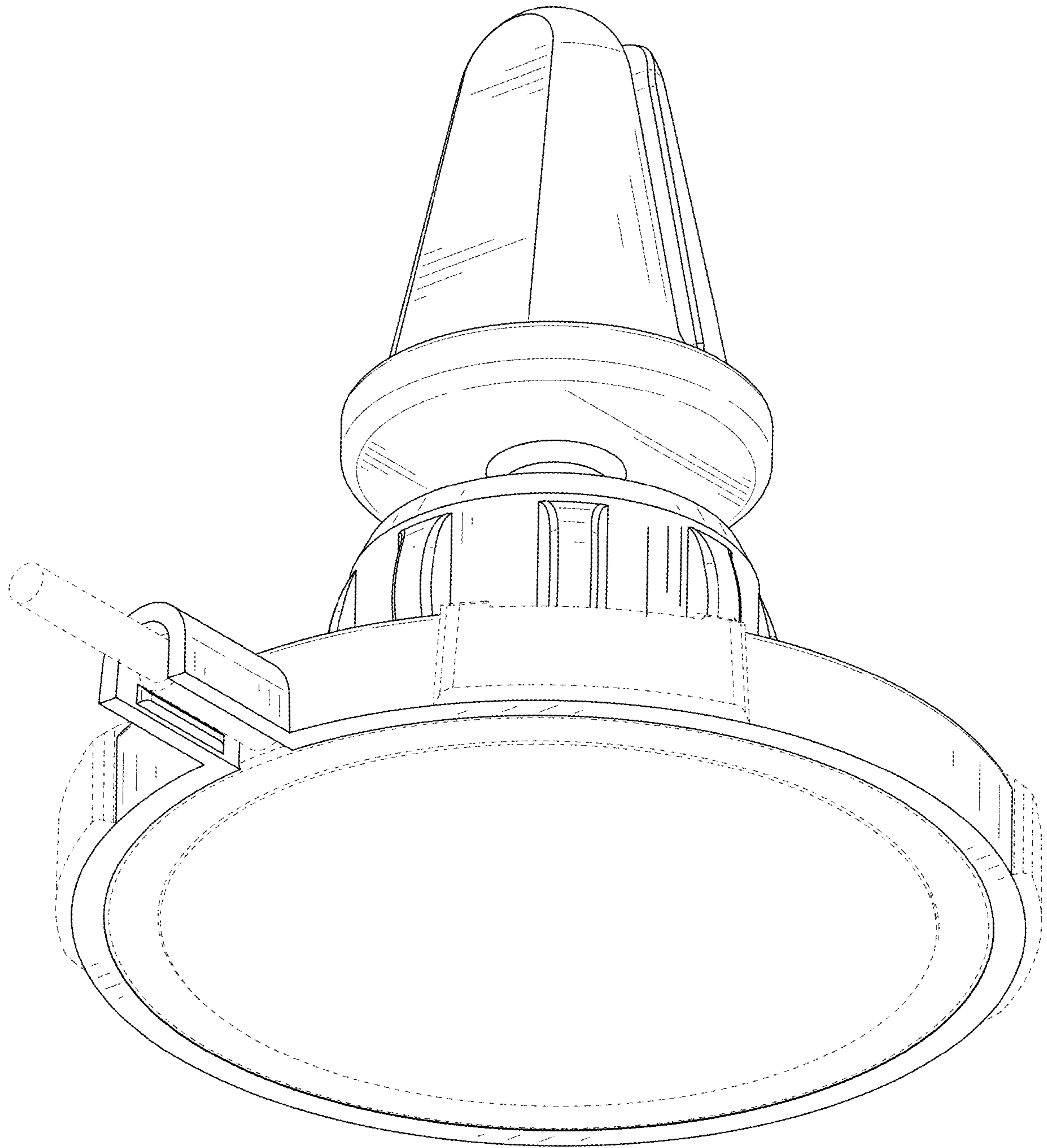


FIG. 10

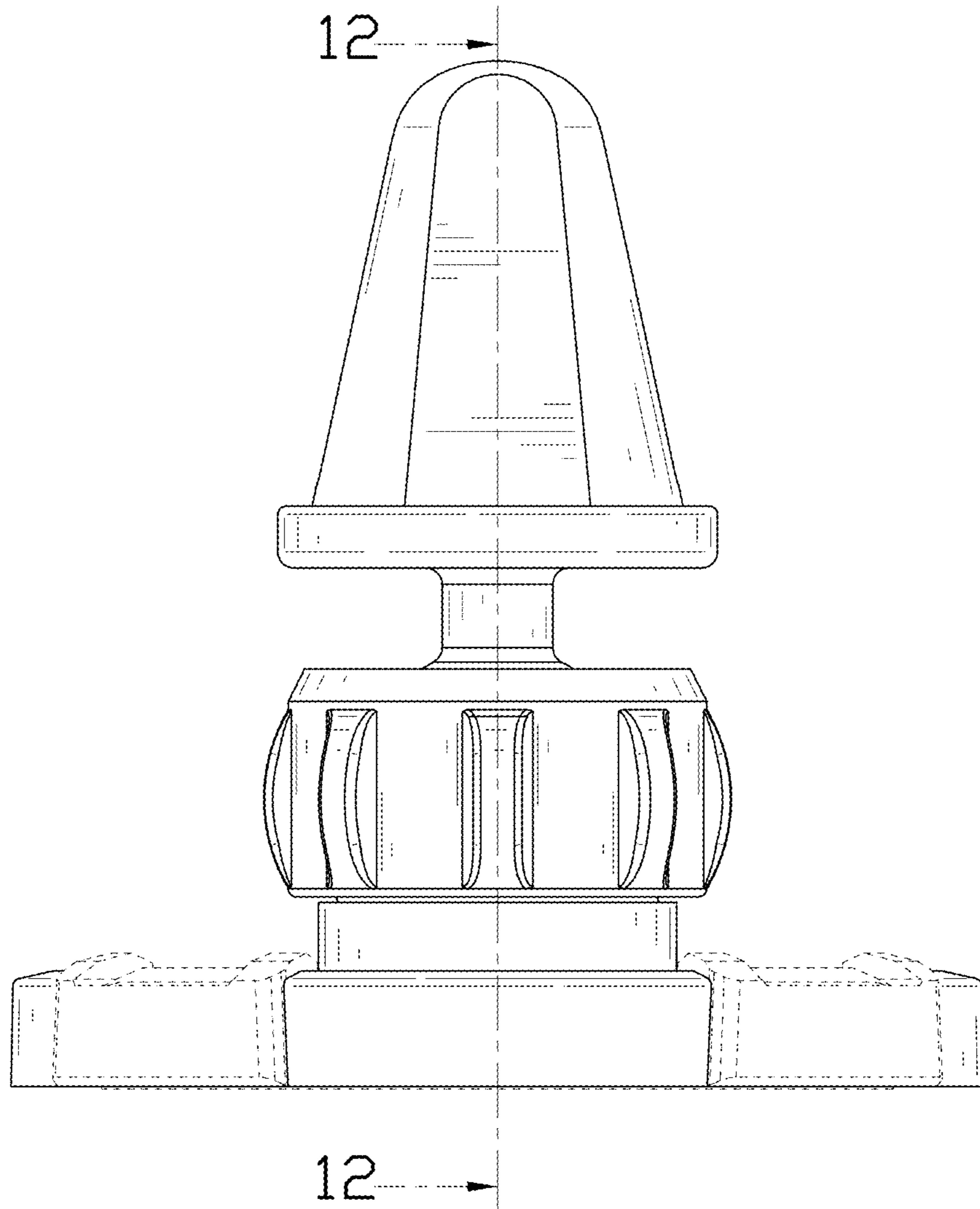


FIG. 11

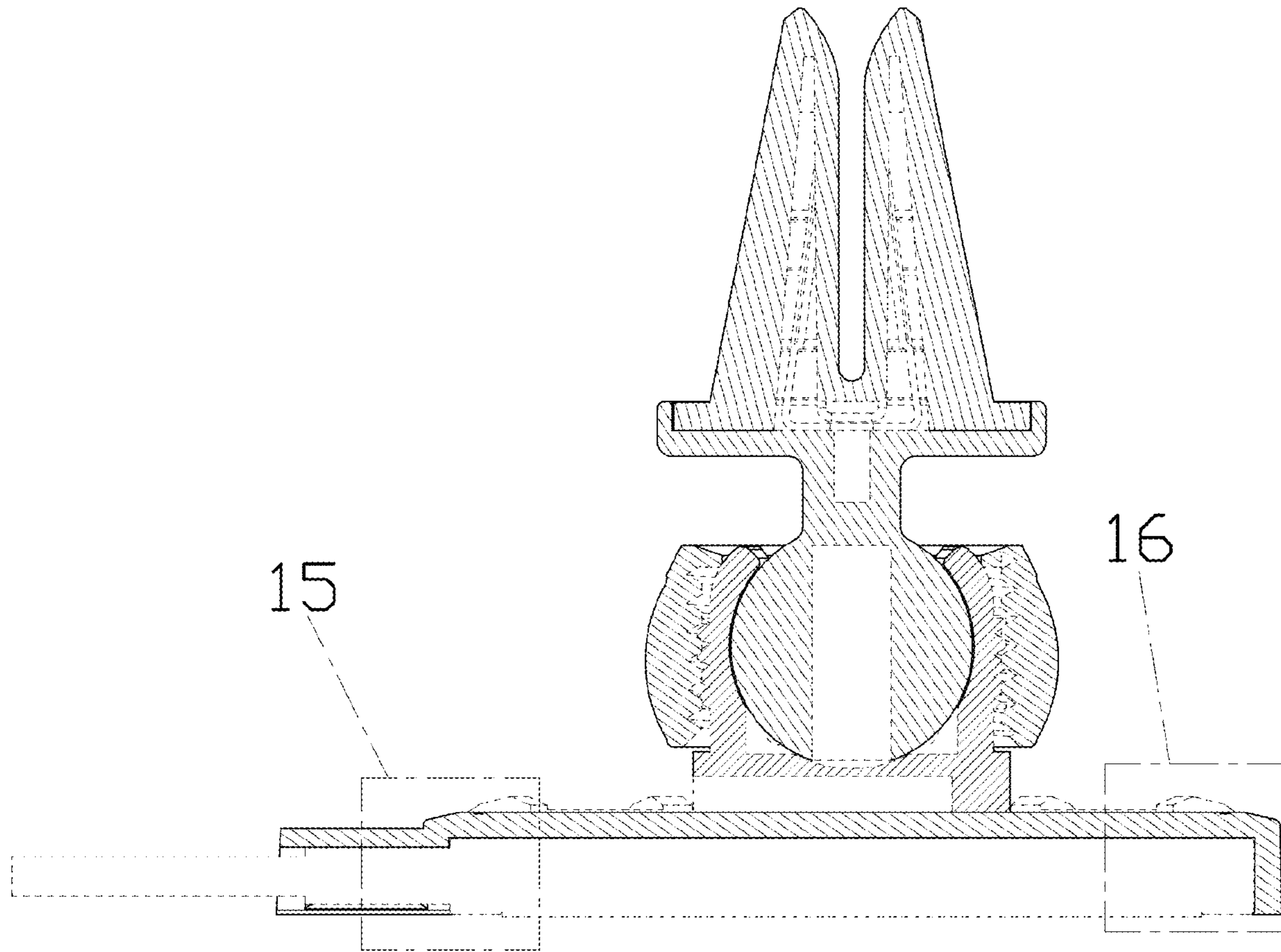


FIG. 12

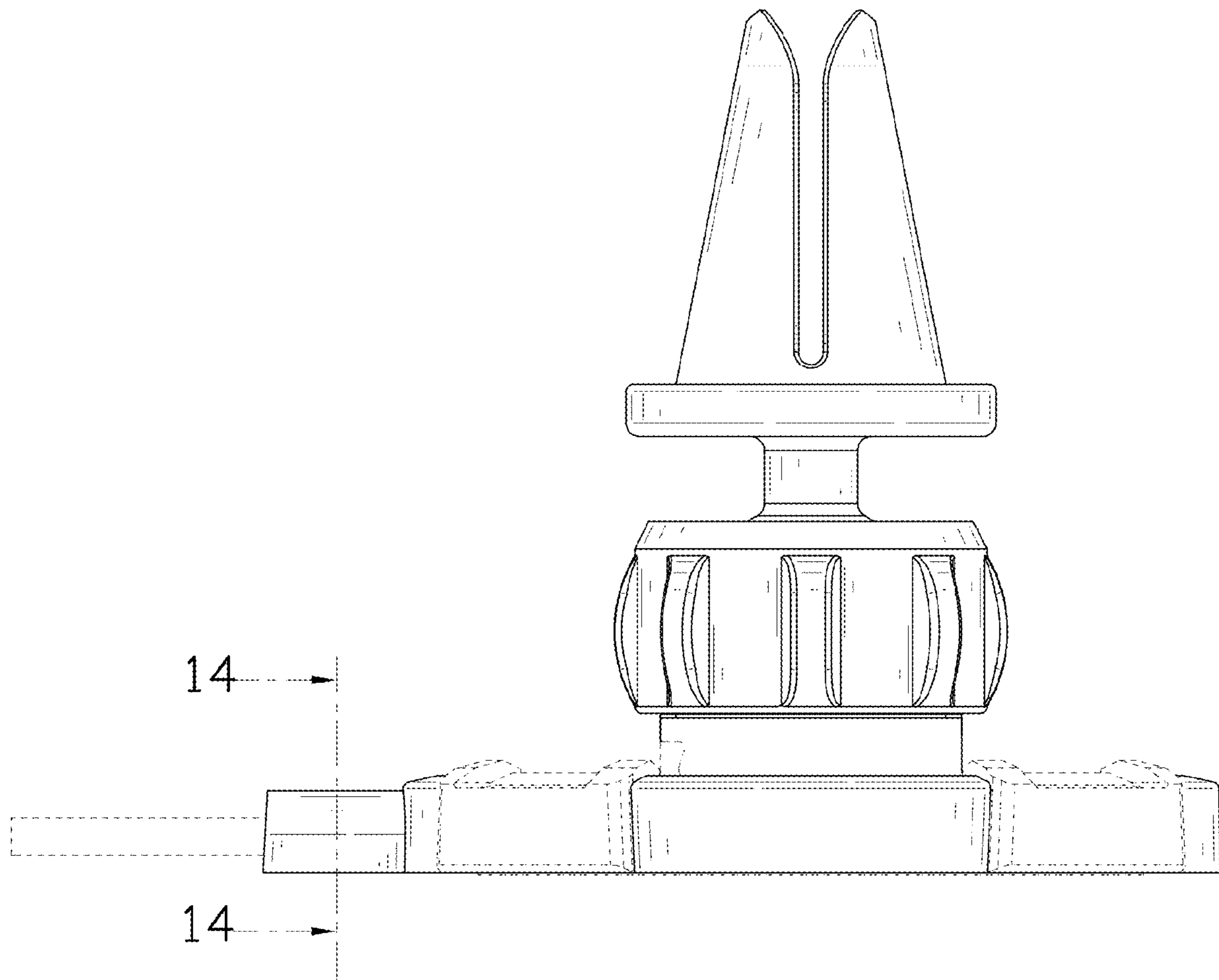


FIG. 13

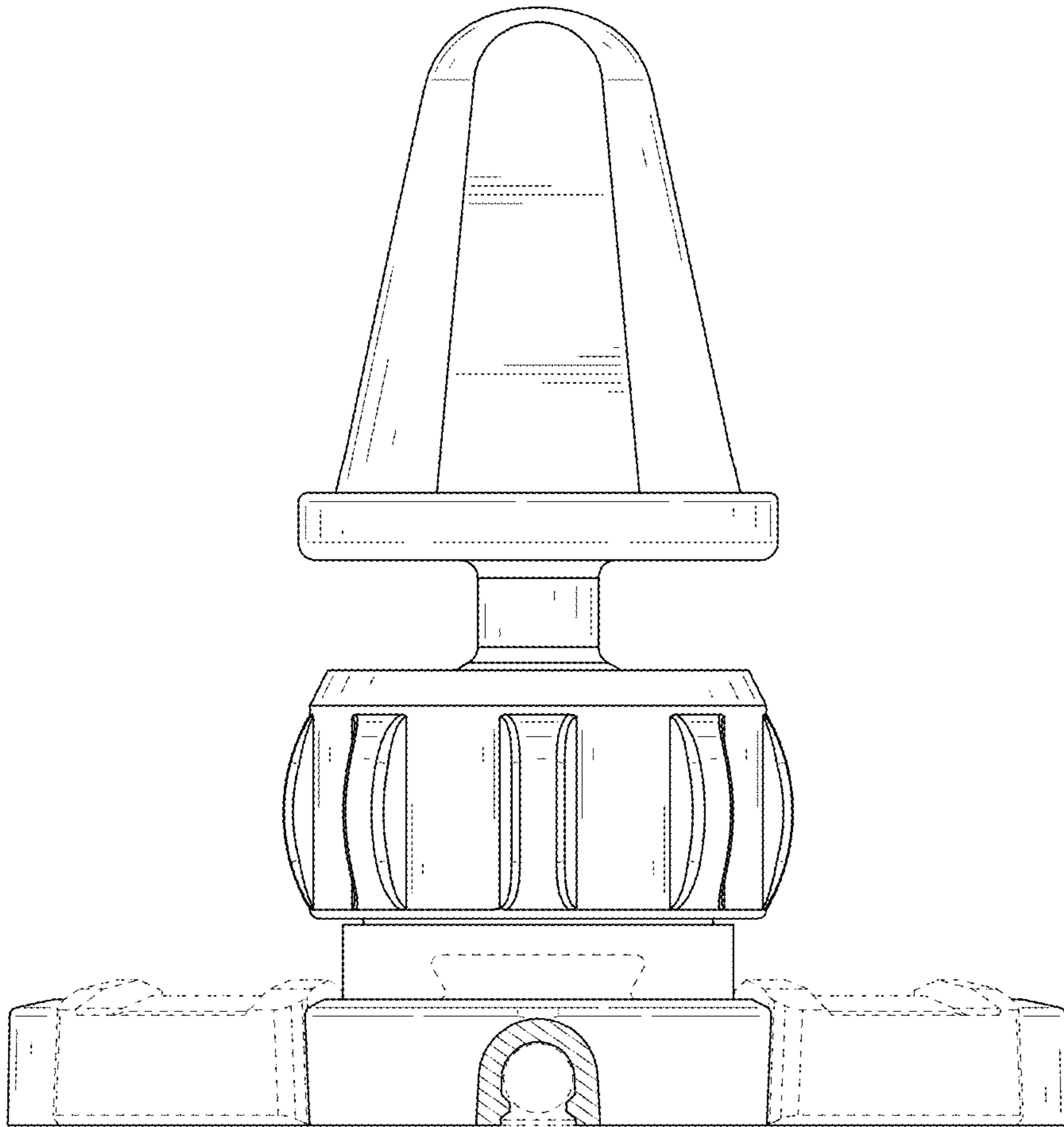


FIG. 14

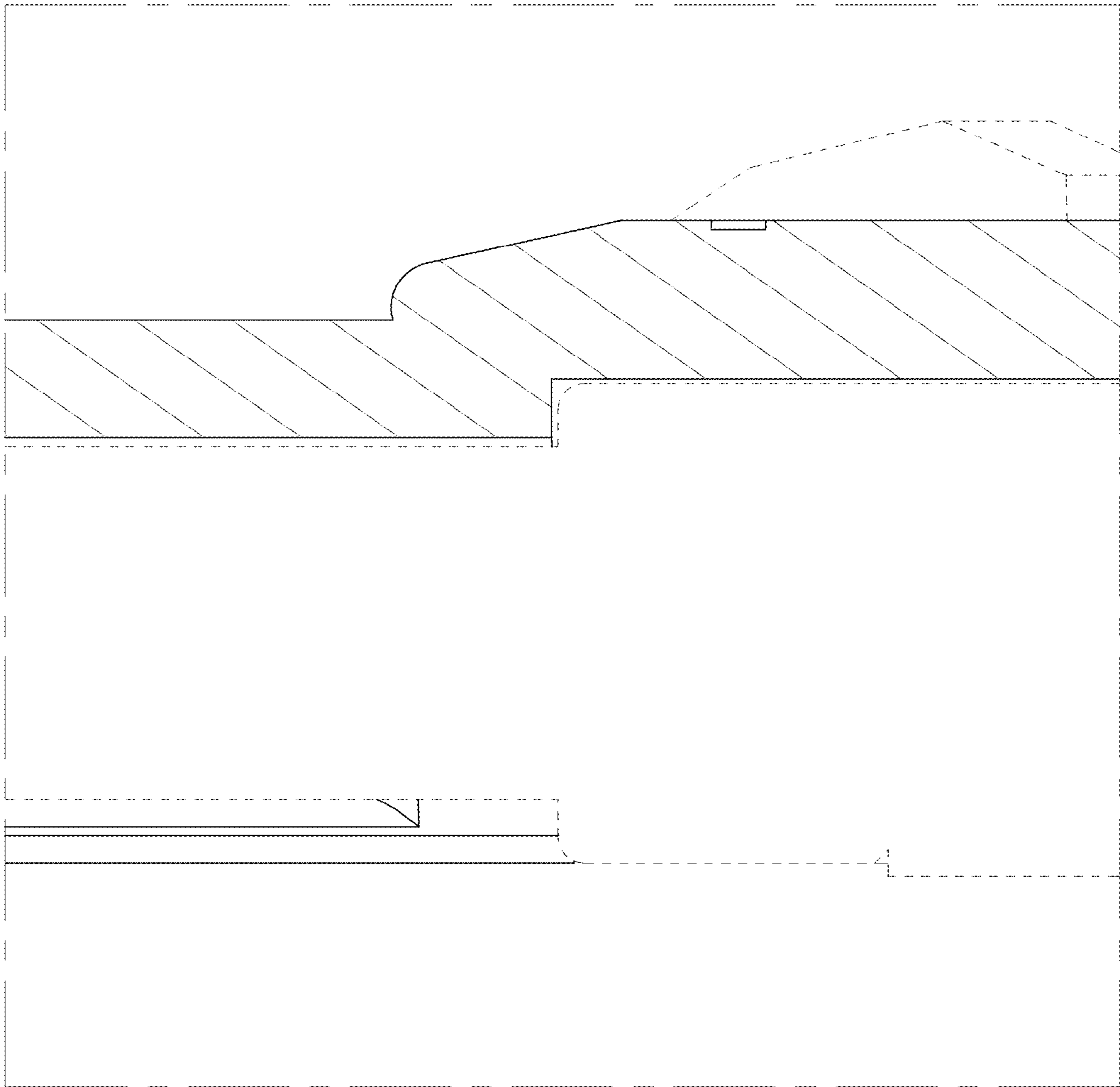


FIG. 15

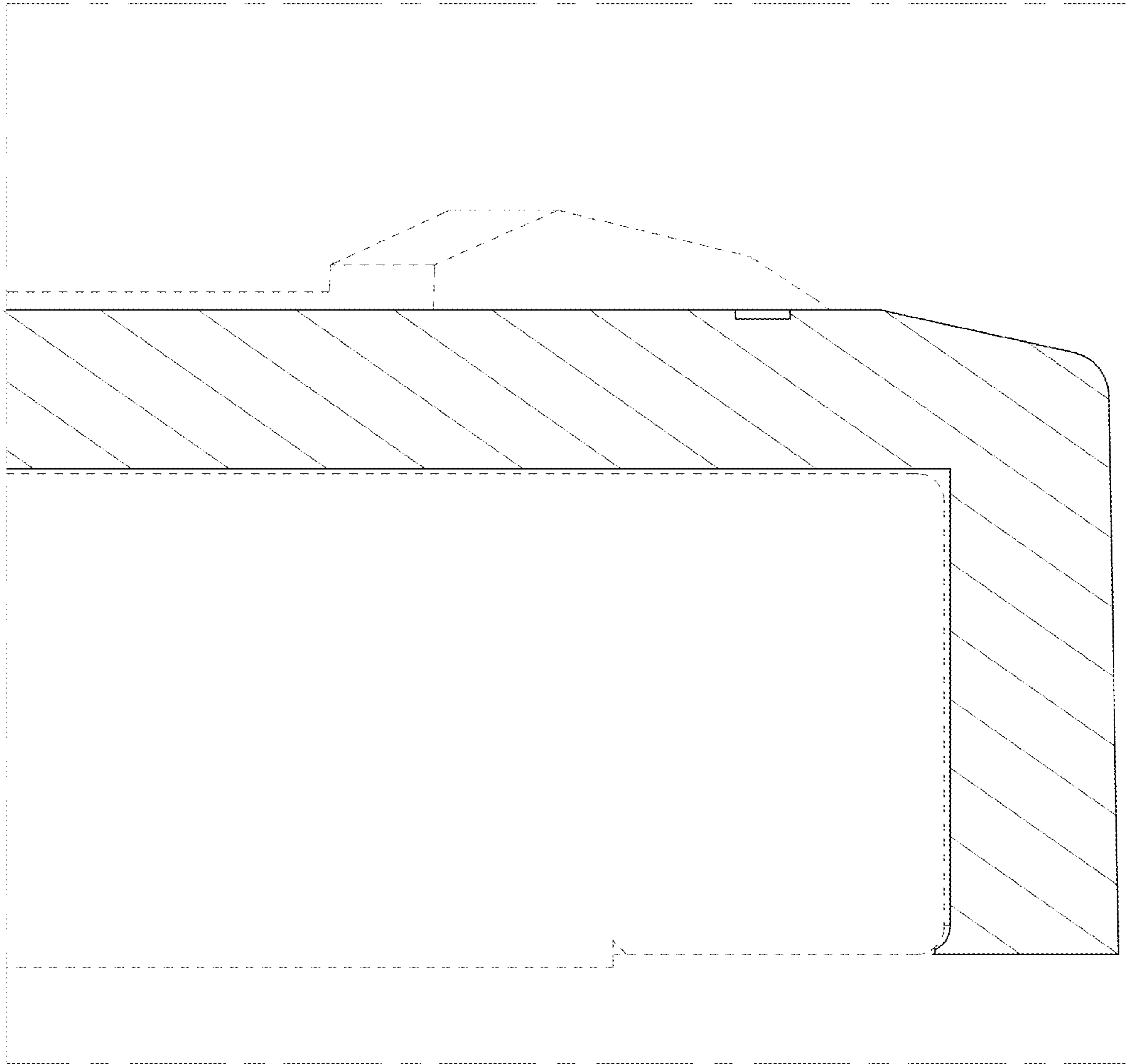


FIG. 16