



US00D971133S

(12) **United States Design Patent** (10) **Patent No.:** **US D971,133 S**
Ye (45) **Date of Patent:** **** Nov. 29, 2022**

(54) **BATTERY CASE**
(71) Applicant: **SHENZHEN WHITEBAIT TECHNOLOGY CO., LTD**, Shenzhen (CN)
(72) Inventor: **Danli Ye**, Shenzhen (CN)
(73) Assignee: **SHENZHEN WHITEBAIT TECHNOLOGY CO., LTD**, Shenzhen (CN)
(**) Term: **15 Years**
(21) Appl. No.: **29/839,742**
(22) Filed: **May 24, 2022**
(51) **LOC (13) Cl.** **13-02**
(52) **U.S. Cl.**
USPC **D13/103**
(58) **Field of Classification Search**
USPC D13/103, 107, 108, 110, 118, 151, 153, D13/154, 155, 184
CPC Y02E 60/10; Y02E 60/50; H01M 50/10; H01M 50/107; H01M 50/557; H01M 50/209; H01M 50/502; H01M 2220/30; H02J 7/00; H02J 7/0003; H02J 7/0011; H02J 7/0013; H02J 7/0054; H02J 7/0055; H02J 7/0057
See application file for complete search history.

(56) **References Cited**
U.S. PATENT DOCUMENTS
D695,217 S * 12/2013 Dasbach D13/110
D695,218 S * 12/2013 Dasbach D13/110
D697,026 S * 1/2014 Dasbach D13/108
D700,140 S * 2/2014 Loya D13/110
D703,135 S * 4/2014 Dasbach D13/110
D720,693 S * 1/2015 Dasbach D13/110
D720,694 S * 1/2015 Dasbach D13/110
D721,035 S * 1/2015 Dasbach D13/110

D722,021 S * 2/2015 Dasbach D13/110
D722,022 S * 2/2015 Dasbach D13/110
D725,588 S * 3/2015 Iaconis D13/103
D744,942 S * 12/2015 Bates D13/107
D744,943 S * 12/2015 Bates D13/107
D746,227 S * 12/2015 Lemire-Elmore D13/107
D806,026 S * 12/2017 Ceravalo D13/110
D814,407 S * 4/2018 Yang D13/107
D835,573 S * 12/2018 Chen D13/103
D845,229 S * 4/2019 Chen D13/103
D872,688 S * 1/2020 Nazar D12/415
D873,766 S * 1/2020 Anséhn D13/103
D875,038 S * 2/2020 Dröge D13/107
D883,195 S * 5/2020 Jiang D13/103
D883,196 S 5/2020 Chen
D896,179 S * 9/2020 Yang D13/103
D899,345 S * 10/2020 Neitāls D12/345
D908,612 S * 1/2021 Sexton D13/103
D910,552 S * 2/2021 Hu D13/107

(Continued)

Primary Examiner — Christy Nemeth
(74) *Attorney, Agent, or Firm* — Daniel M. Cohn;
Howard M. Cohn

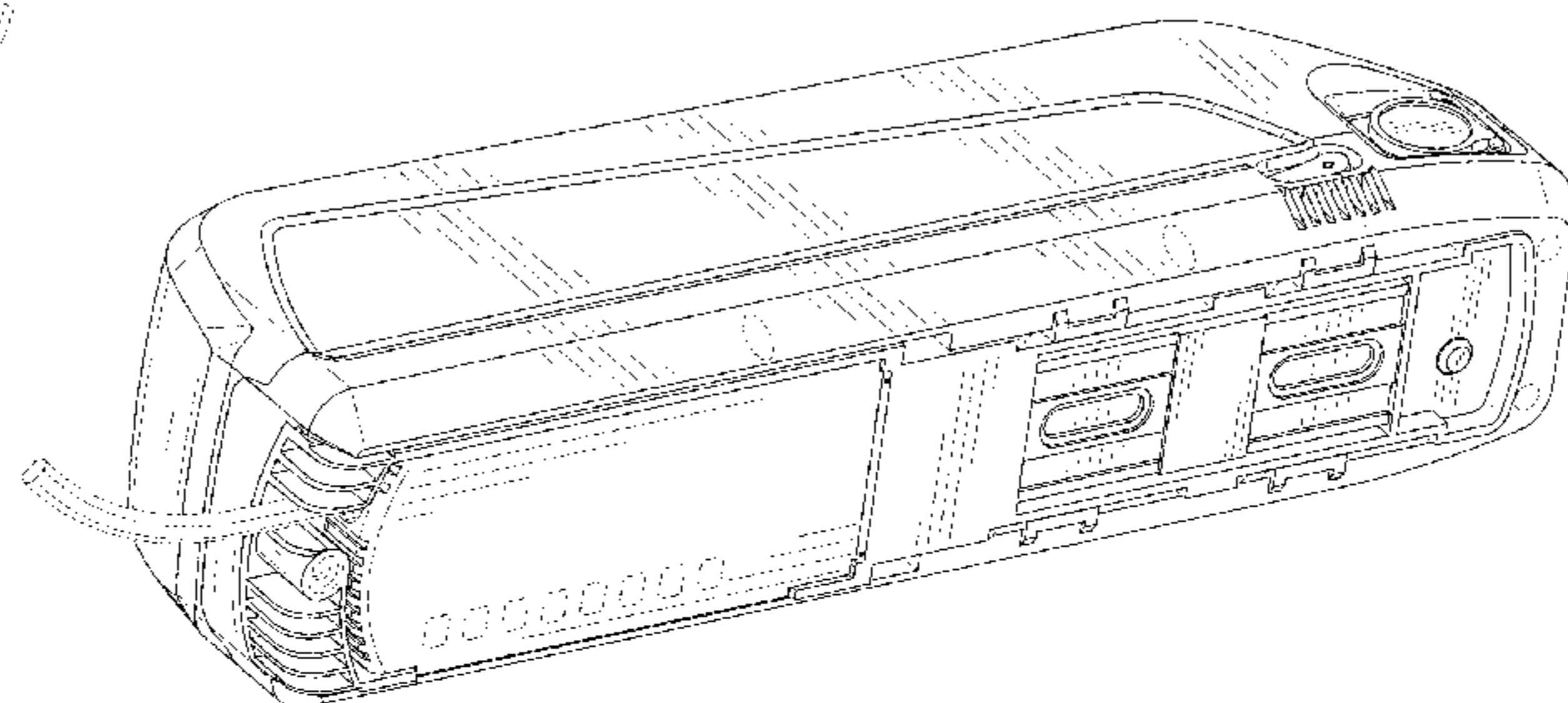
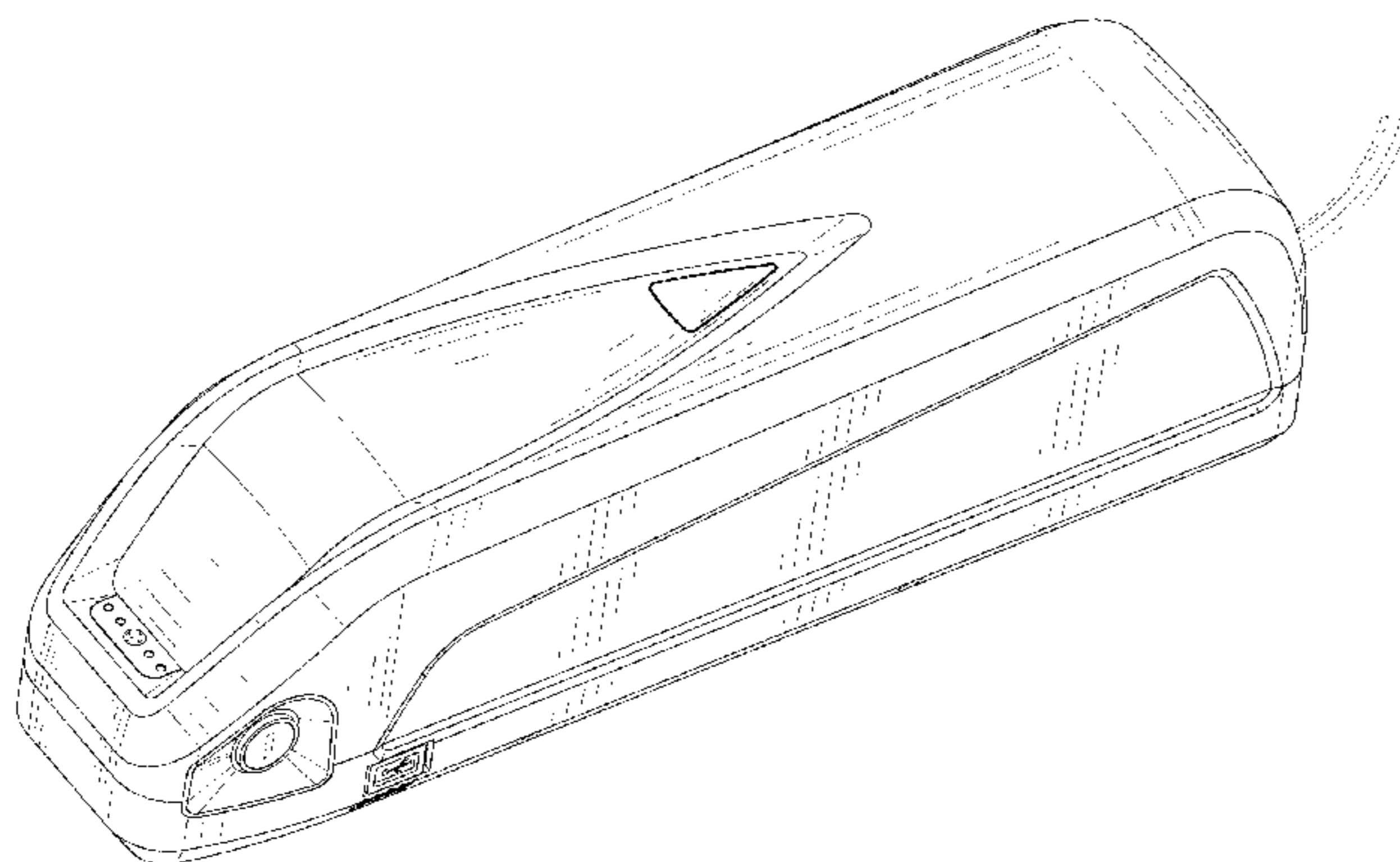
(57) **CLAIM**

The ornamental design for a battery case, as shown and described.

DESCRIPTION

FIG. 1 is a perspective view of a battery case showing my new design;
FIG. 2 is another perspective view thereof;
FIG. 3 is a front elevational view thereof;
FIG. 4 is a rear elevational view thereof;
FIG. 5 is a left side elevational view thereof;
FIG. 6 is a right side elevational view thereof;
FIG. 7 is a top plan view thereof; and,
FIG. 8 is a bottom plan view thereof.
The broken lines in the drawings depict portions of the battery case that form no part of the claimed design.

1 Claim, 8 Drawing Sheets



(56)

References Cited

U.S. PATENT DOCUMENTS

D921,575 S *	6/2021	Zhao	D13/103
D922,941 S *	6/2021	Antonio	D13/103
D934,165 S *	10/2021	Zhang	D13/107
D941,750 S *	1/2022	Brosnan	D13/103
D942,929 S *	2/2022	Yi	D13/103
D951,862 S *	5/2022	Xia	D13/103
D952,555 S *	5/2022	Cheng	D13/107
D957,321 S *	7/2022	Shen	D13/103

* cited by examiner

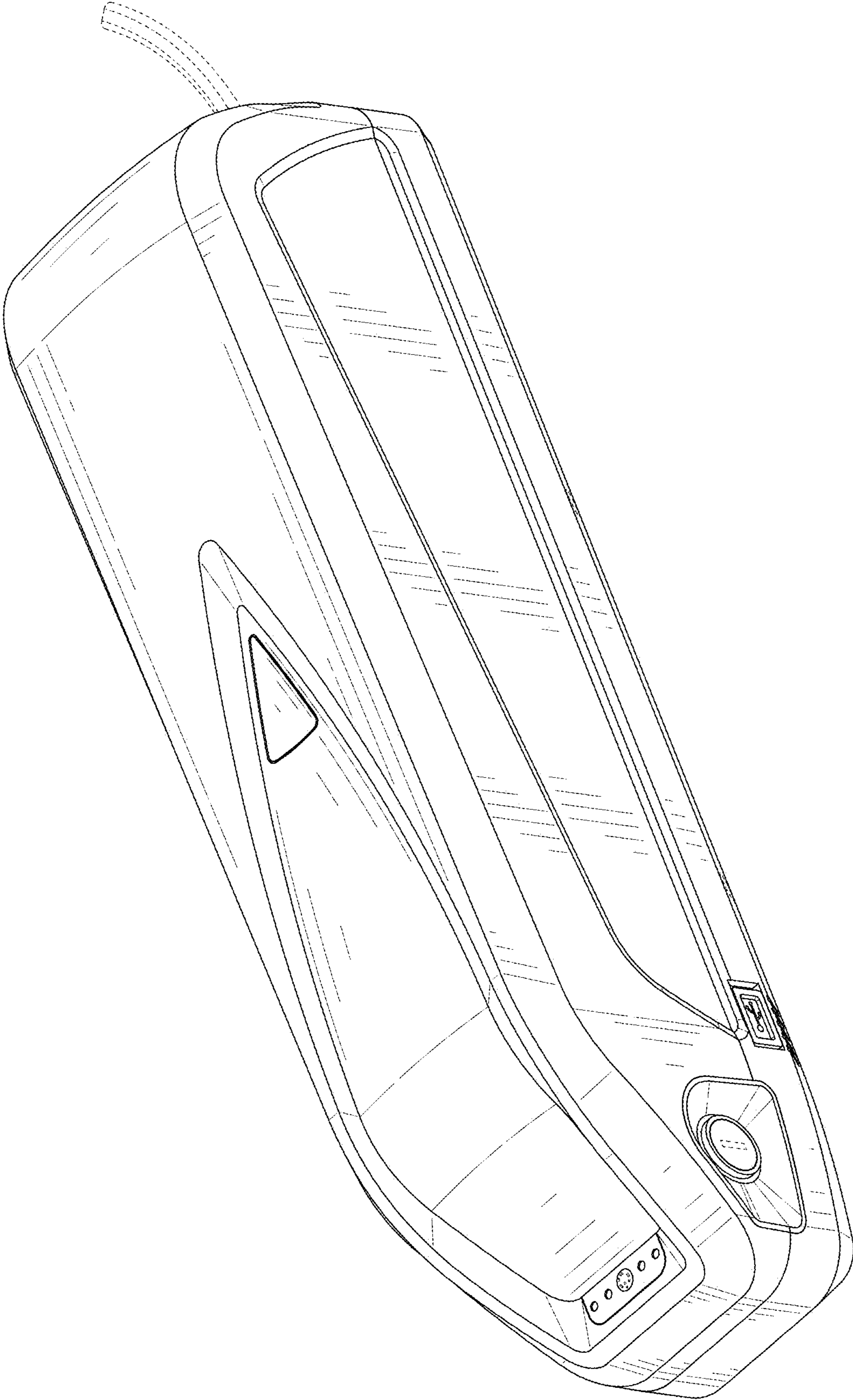


FIG. 1

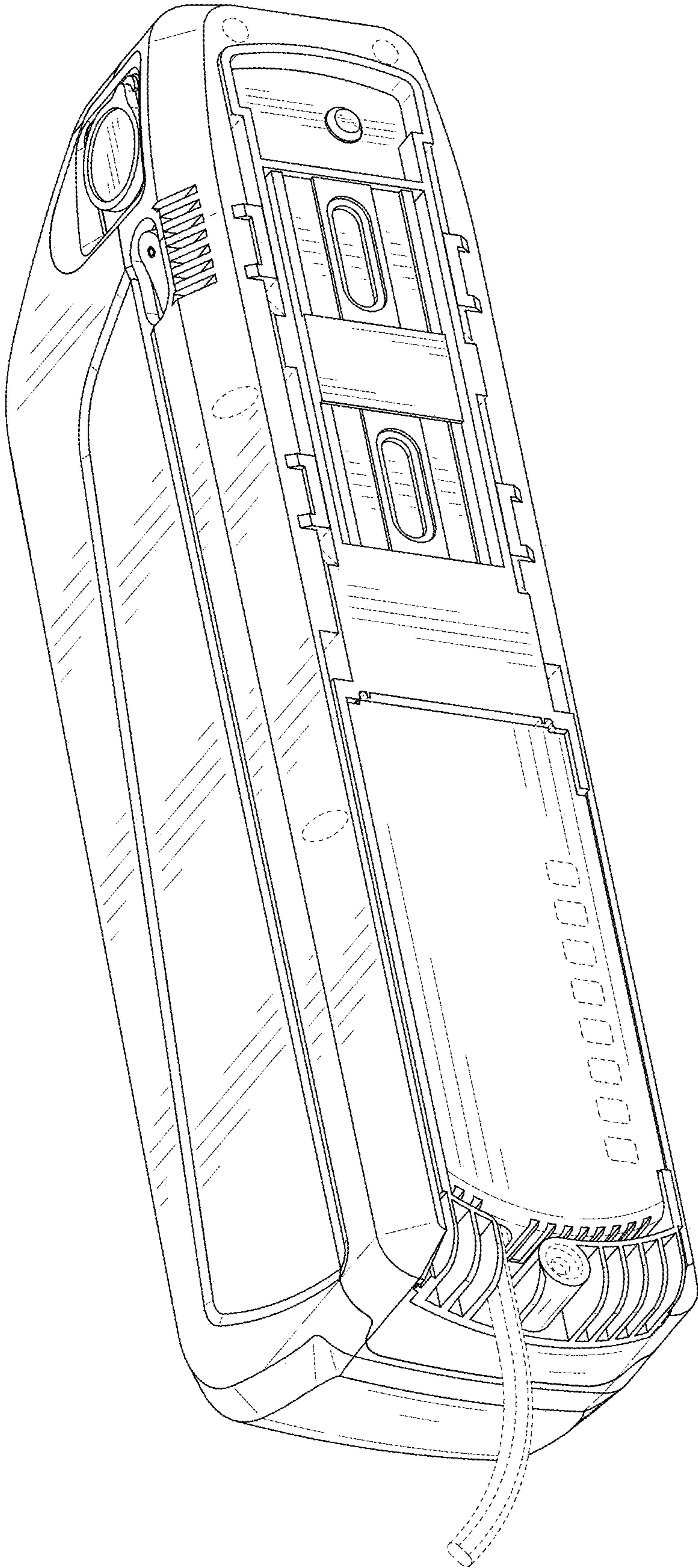


FIG. 2

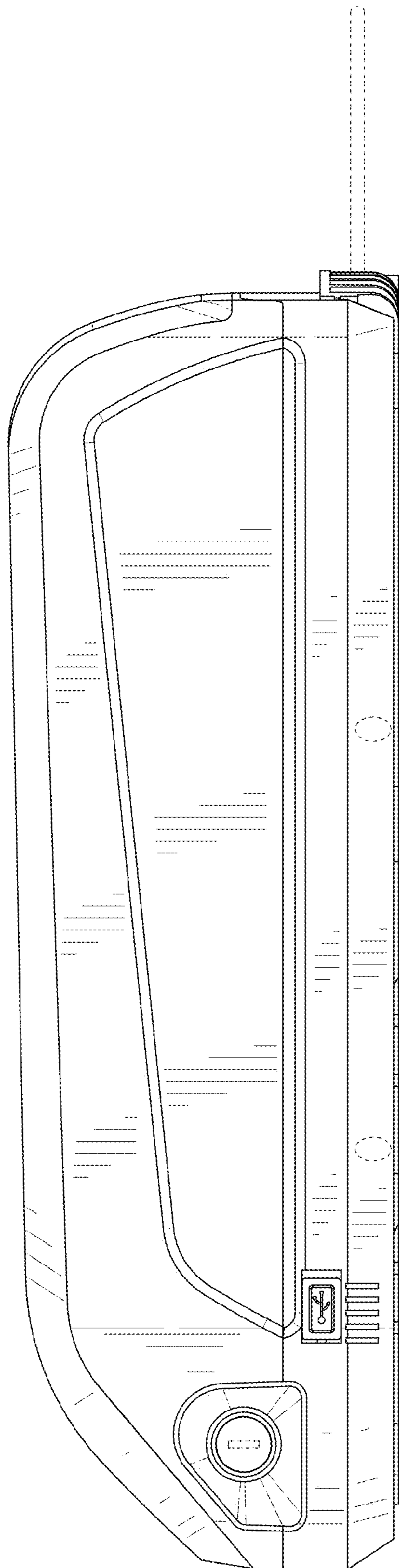


FIG. 3

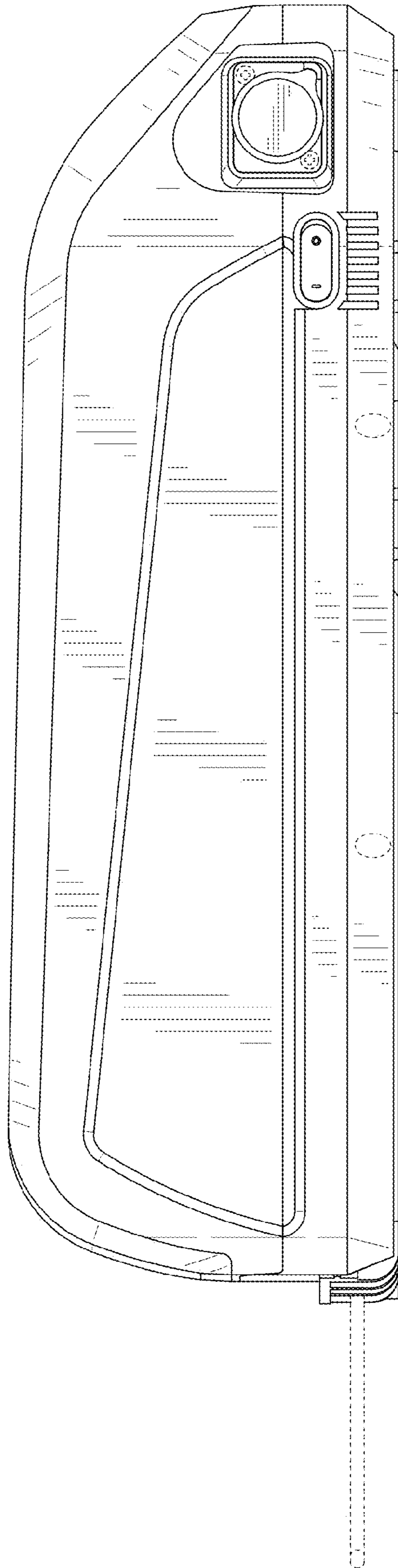


FIG. 4

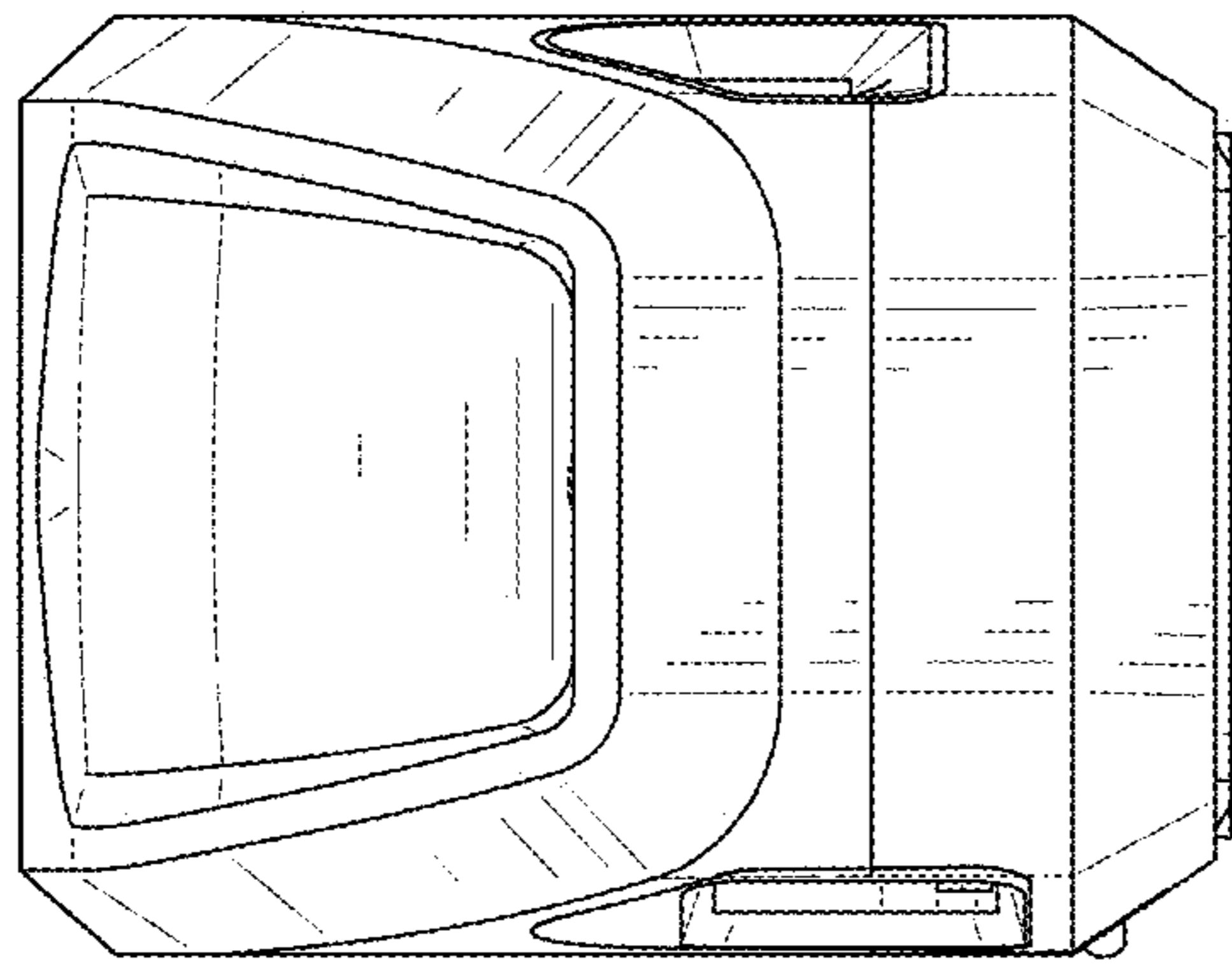


FIG. 5

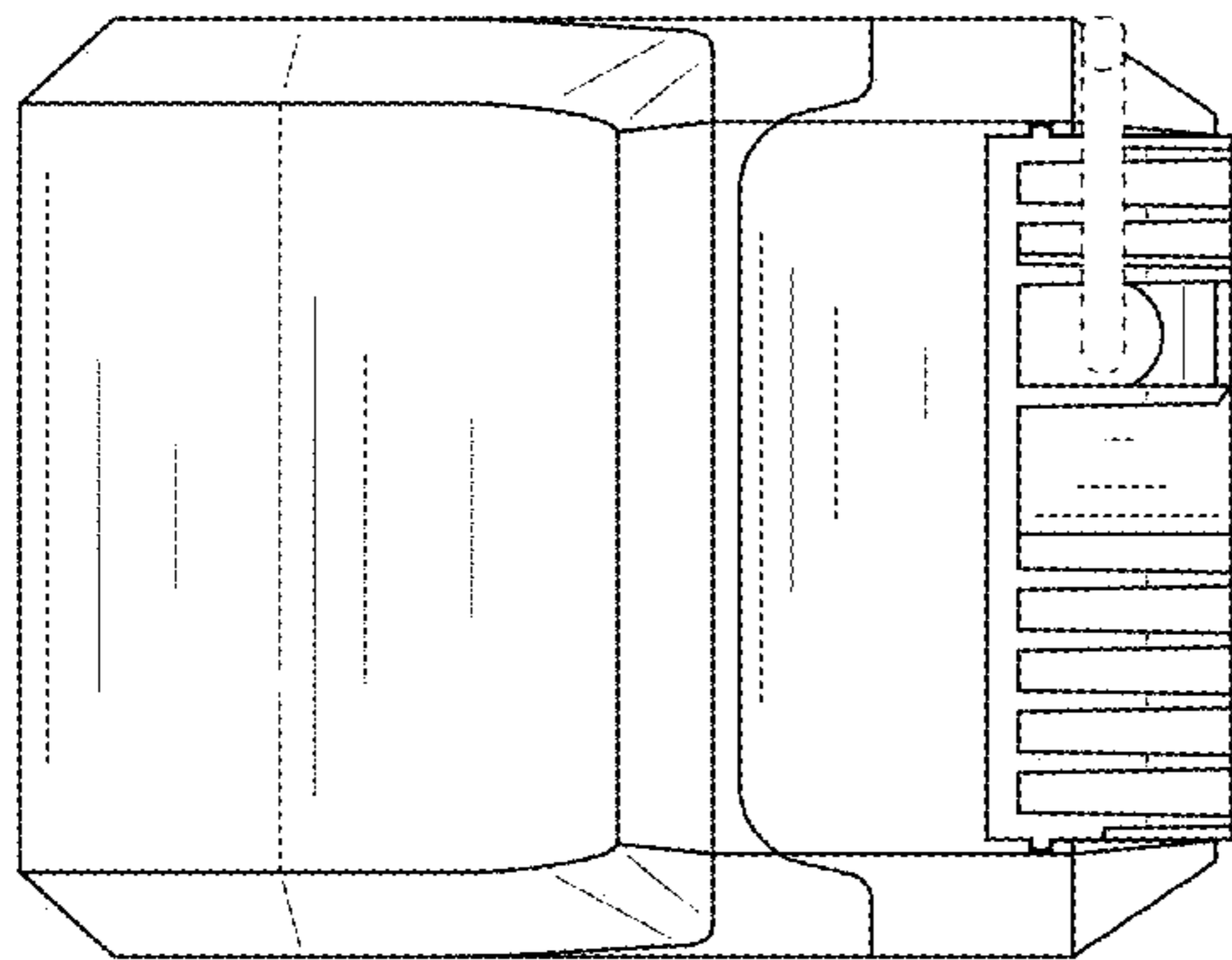


FIG. 6

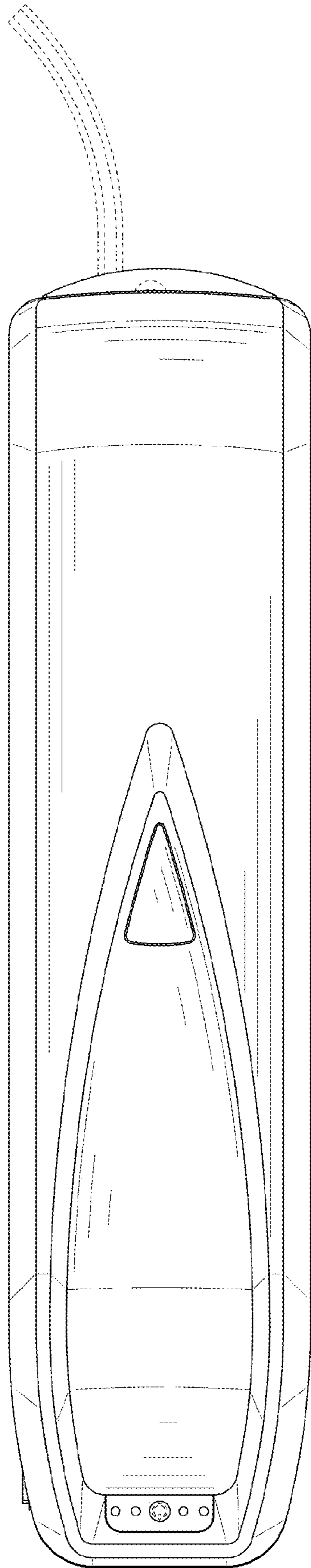


FIG. 7

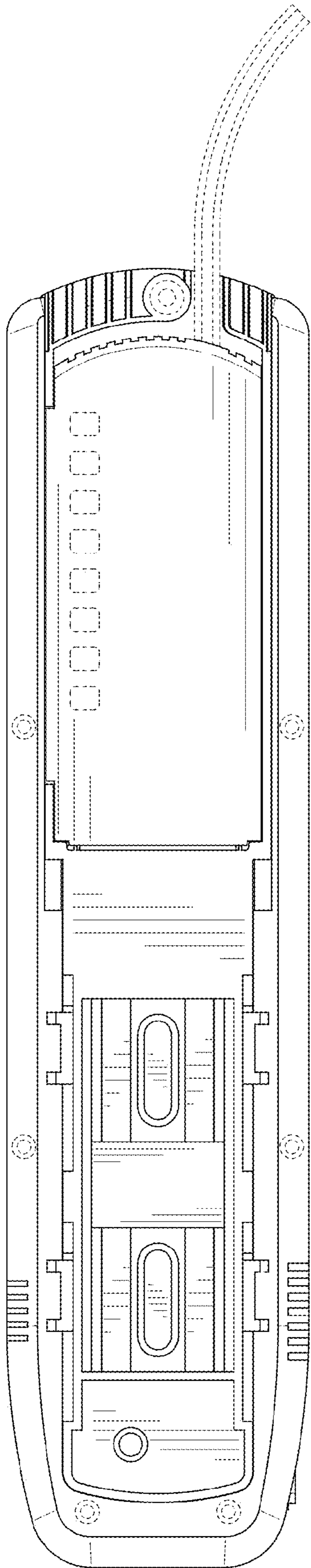


FIG. 8