



US00D971132S

(12) **United States Design Patent**
Wu

(10) **Patent No.:** **US D971,132 S**

(45) **Date of Patent:** **** Nov. 29, 2022**

- (54) **PORTABLE POWER STATION**
- (71) Applicant: **SHENZHEN VIP-TEK ELECTRONIC CO., LTD**, Shenzhen (CN)
- (72) Inventor: **Haohua Wu**, Shenzhen (CN)
- (73) Assignee: **SHENZHEN VIP-TEK ELECTRONIC CO., LTD**, Shenzhen (CN)

D858,441 S *	9/2019	Chen	D13/110
D868,686 S *	12/2019	Zhong	D13/106
D897,284 S *	9/2020	Sun	D13/103
D902,857 S *	11/2020	Jia	D13/110
D911,953 S *	3/2021	Yin	D13/103
D916,655 S *	4/2021	Fang	D13/103
D930,571 S *	9/2021	Zhong	D13/102
D932,433 S *	10/2021	Tang	D13/110
D942,932 S *	2/2022	Yin	D13/107
D953,255 S *	5/2022	Lai	D13/110
D957,322 S *	7/2022	Liu	D13/103

* cited by examiner

(**) Term: **15 Years**

Primary Examiner — Nathaniel D. Buckner

(21) Appl. No.: **29/780,552**

(22) Filed: **Apr. 26, 2021**

(51) **LOC (13) Cl.** **13-02**

(52) **U.S. Cl.**
USPC **D13/103; D13/108**

(58) **Field of Classification Search**
USPC D13/102–110, 118–119, 184, 199;
D14/356, 432
CPC Y02E 60/10; Y02E 60/50; H01M 10/44;
H01M 10/46; H01M 10/465; H01M 10/482;
H01M 10/4257; H01M 10/12; H01M 10/623;
H01M 10/6235; H01M 2200/30; H01M 2250/30;
H01M 2250/40; H01M 2250/20; H01M 2220/30; H01M 50/10;
H01M 50/136; H01M 50/56; H01M 50/1385;
H01M 4/0433; H01M 6/505; H02J 7/00; H02J 7/0003;
H02J 7/0013; H04B 1/3888; A45C 2011/002;
H04M 1/0283

See application file for complete search history.

(56) **References Cited**

U.S. PATENT DOCUMENTS

D815,039 S *	4/2018	Wen	D13/110
D837,149 S *	1/2019	Yin	D13/103

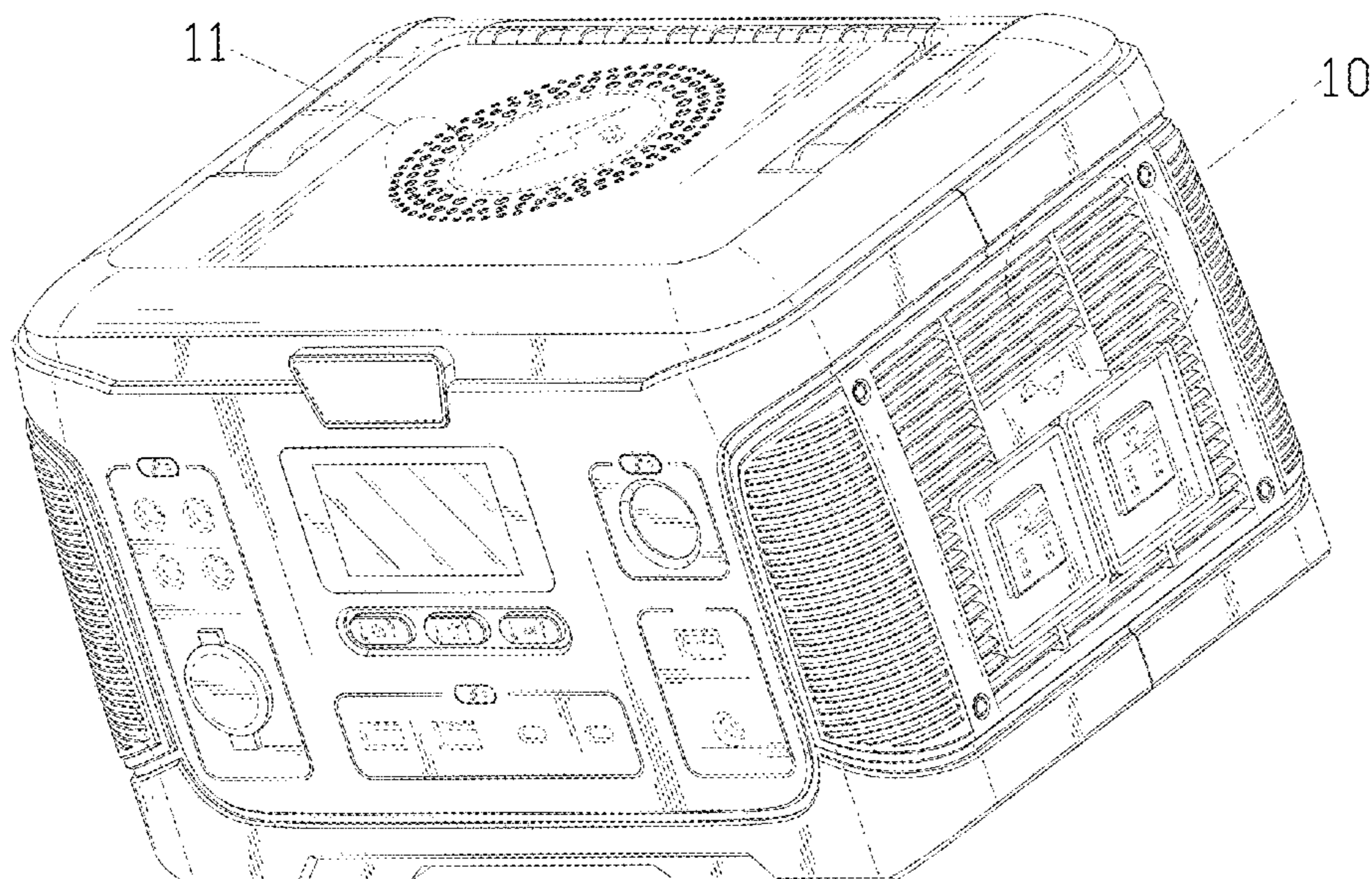
(57) **CLAIM**

The ornamental design for a portable power station, as shown and described.

DESCRIPTION

FIG. 1 is a perspective view of a portable power station showing my new design;
FIG. 2 is another perspective view thereof;
FIG. 3 is a front elevational view thereof;
FIG. 4 is a rear elevational view thereof;
FIG. 5 is a left side elevational view thereof;
FIG. 6 is a right side elevational view thereof;
FIG. 7 is a top plan view thereof;
FIG. 8 is a bottom plan view thereof;
FIG. 9 is a perspective view of the portable power station where the portable power station is in a configuration of use;
FIG. 10 is an enlarged view of portion 10 shown in FIG. 1; and,
FIG. 11 is an enlarged view of portion 11 shown in FIG. 1.
The broken lines in the drawings depict portions of the portable power station that form no part of the claimed design.

1 Claim, 11 Drawing Sheets



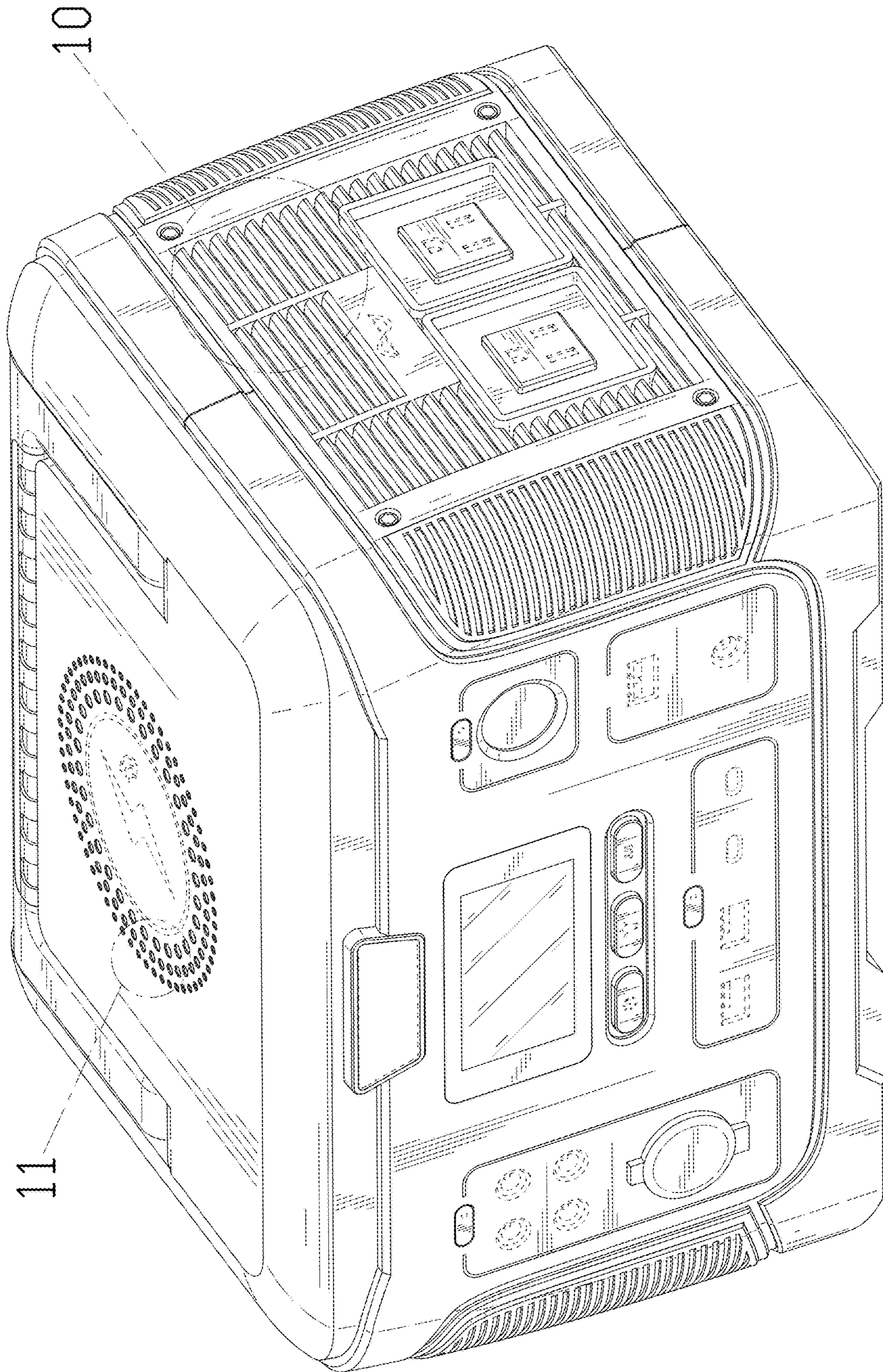


FIG. 1

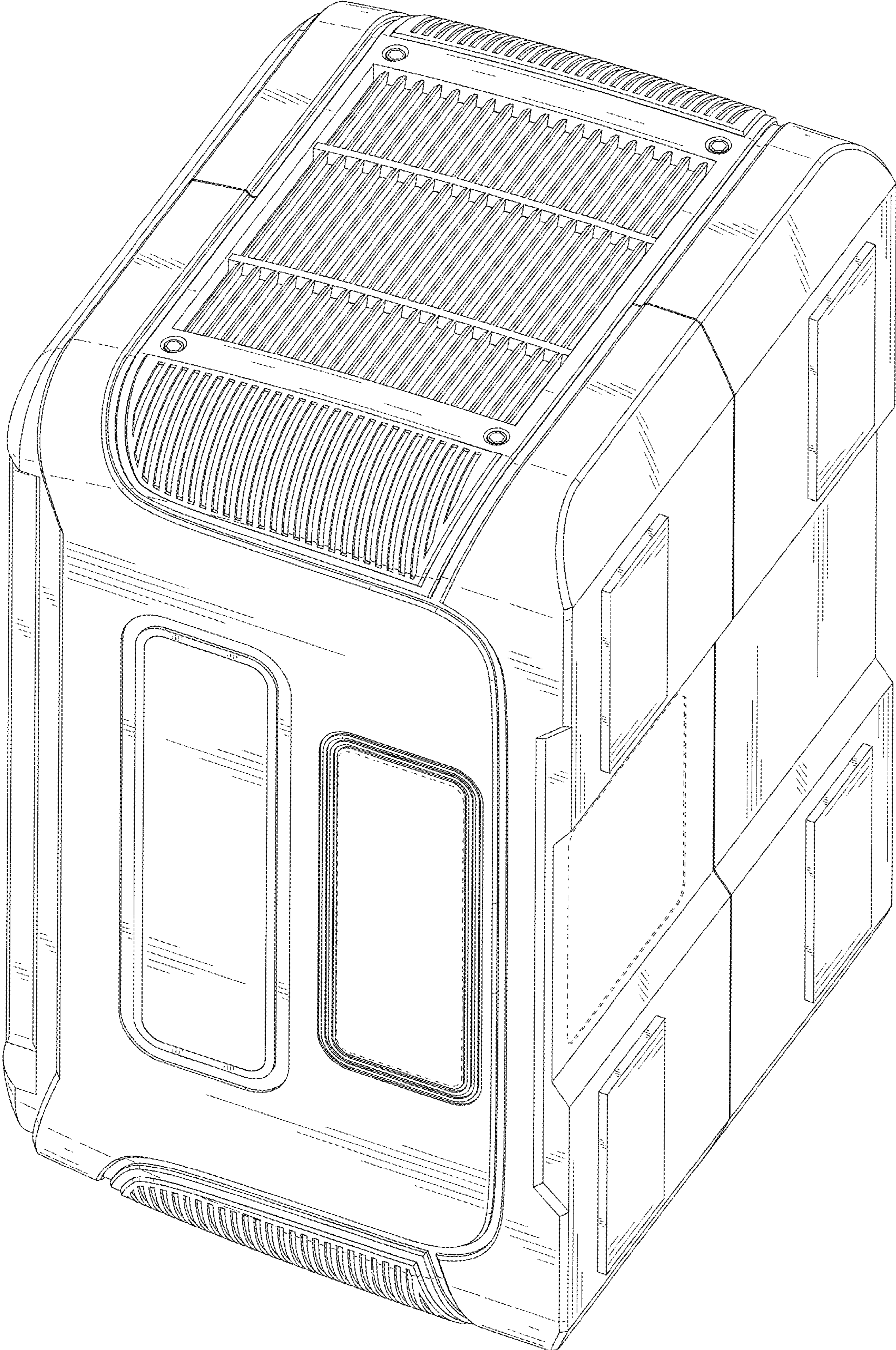


FIG. 2

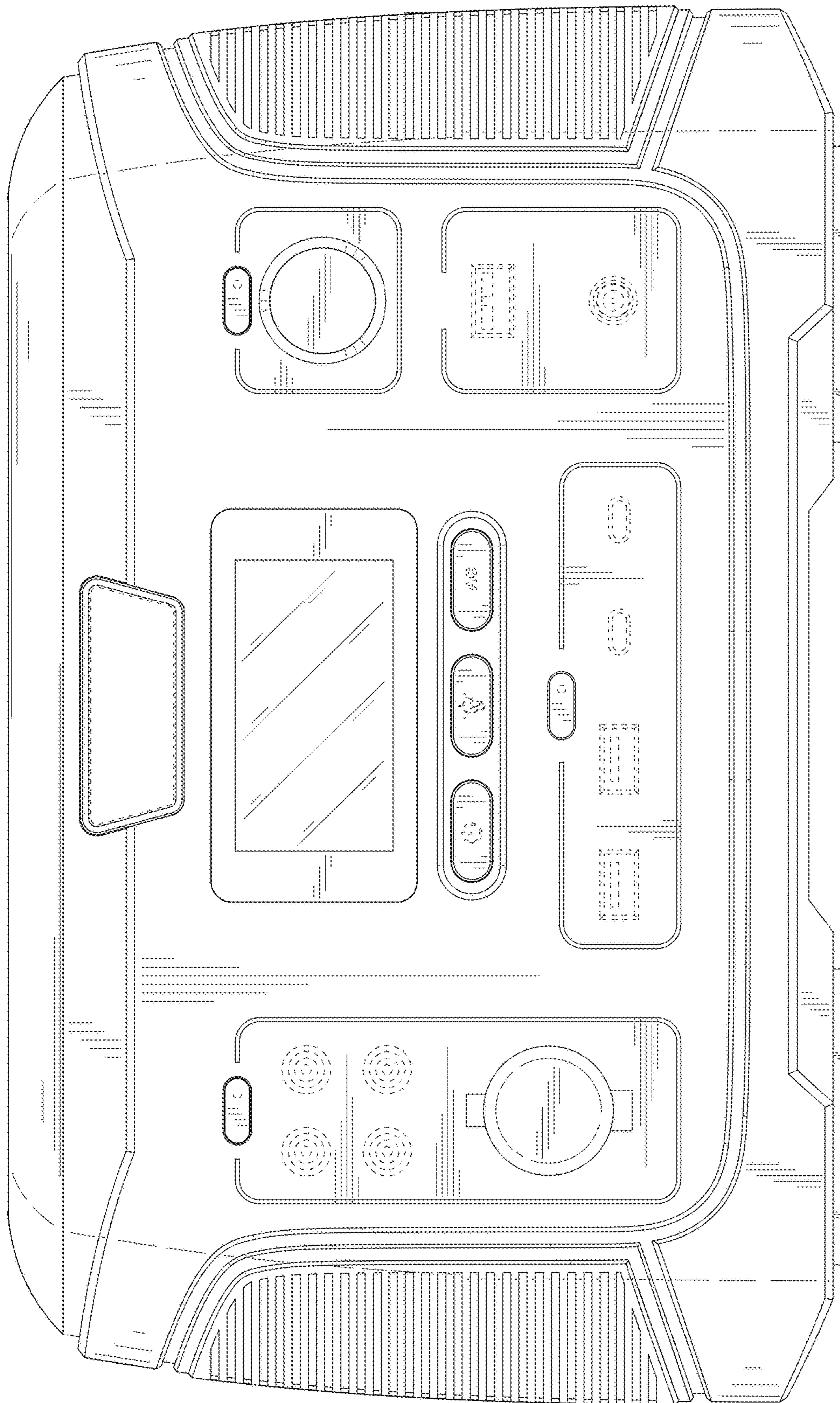


FIG. 3

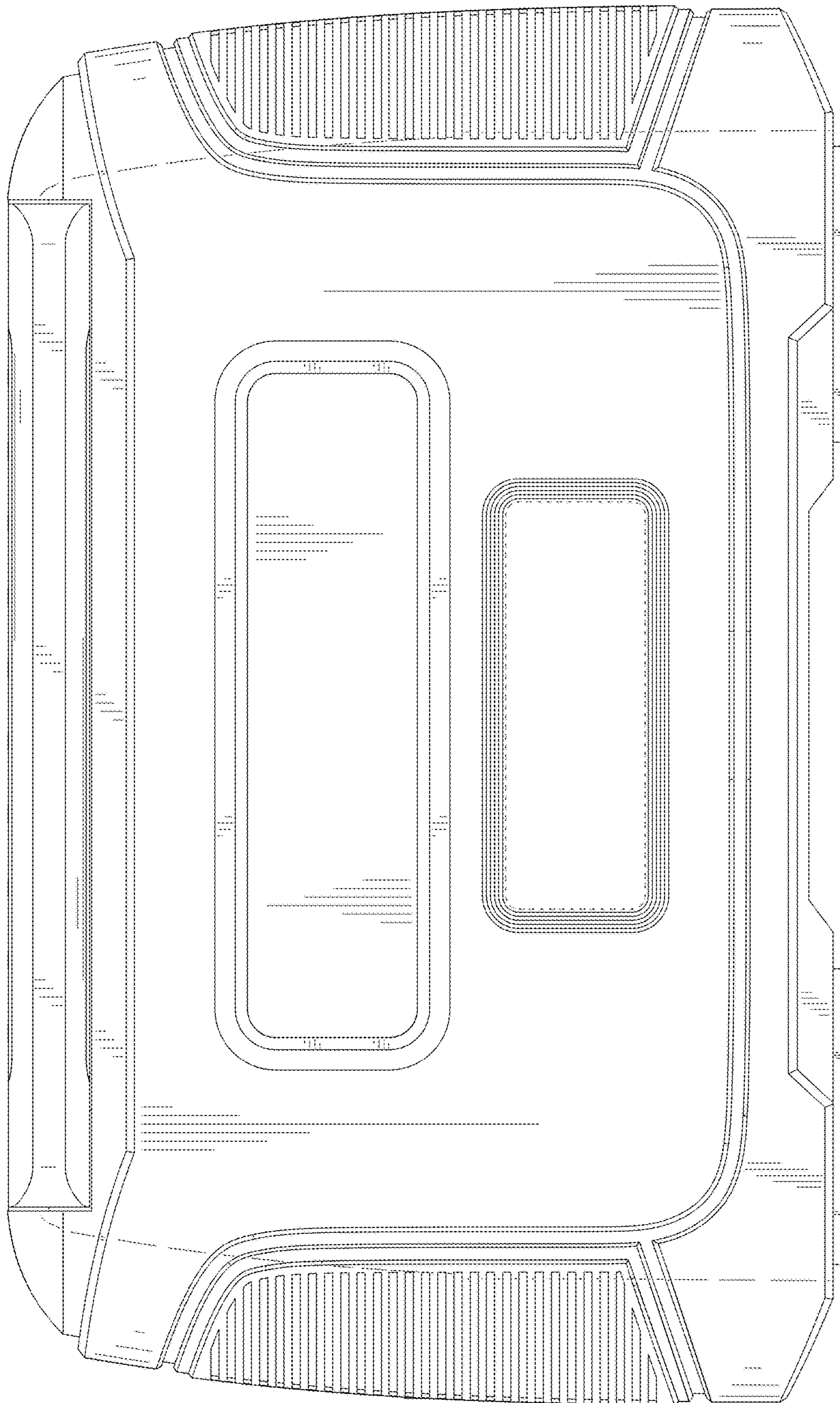


FIG. 4

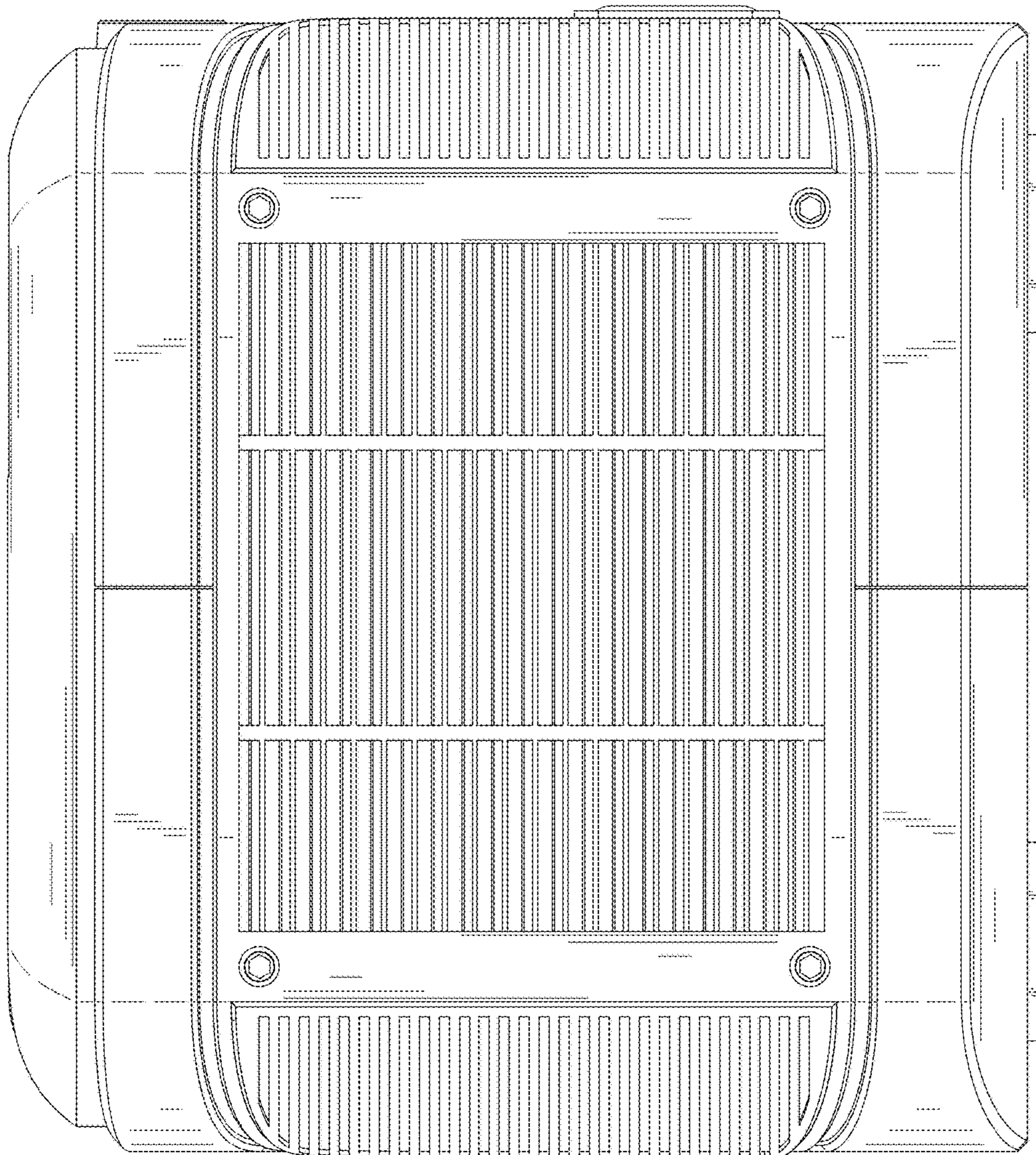


FIG. 5

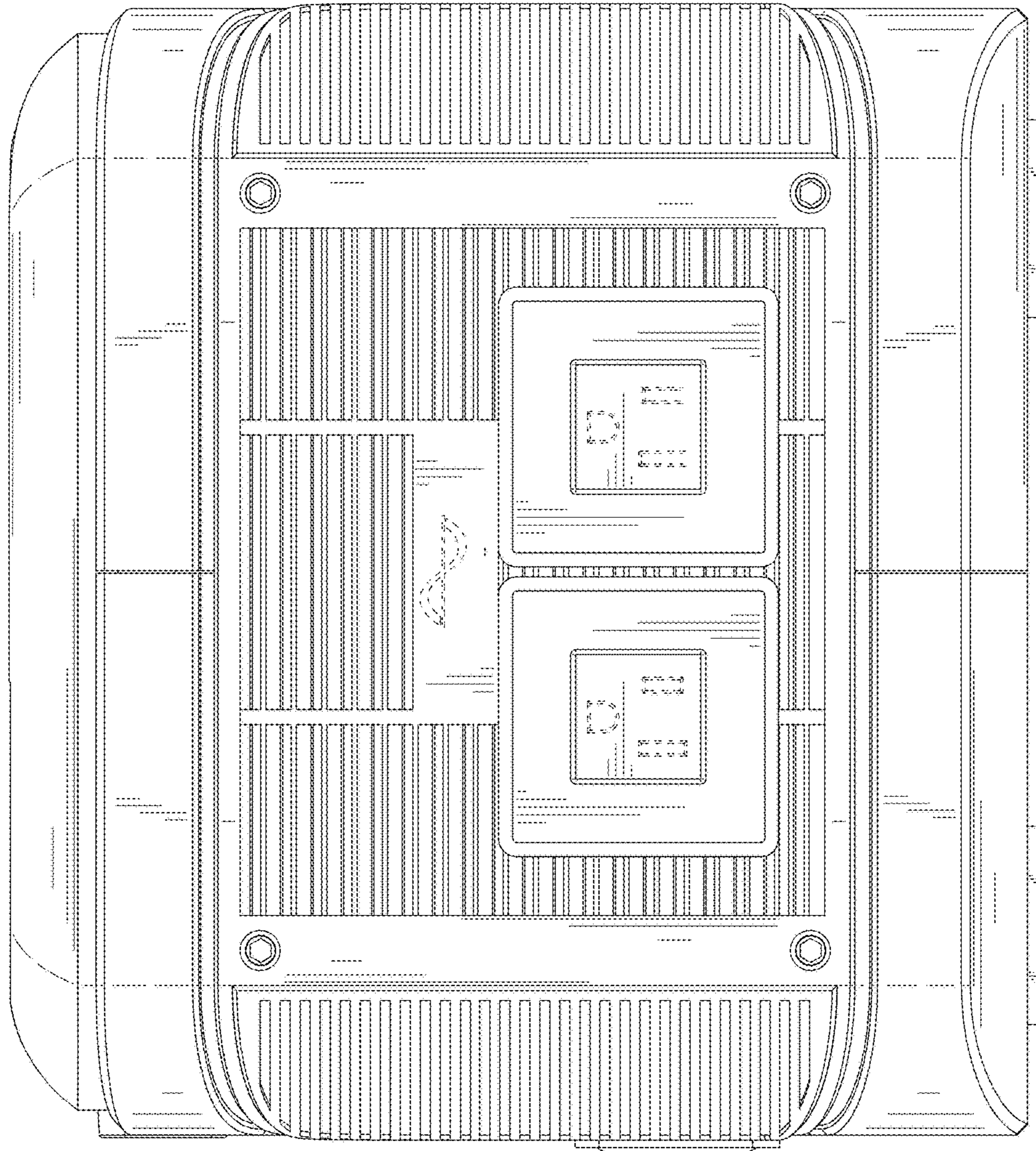


FIG. 6

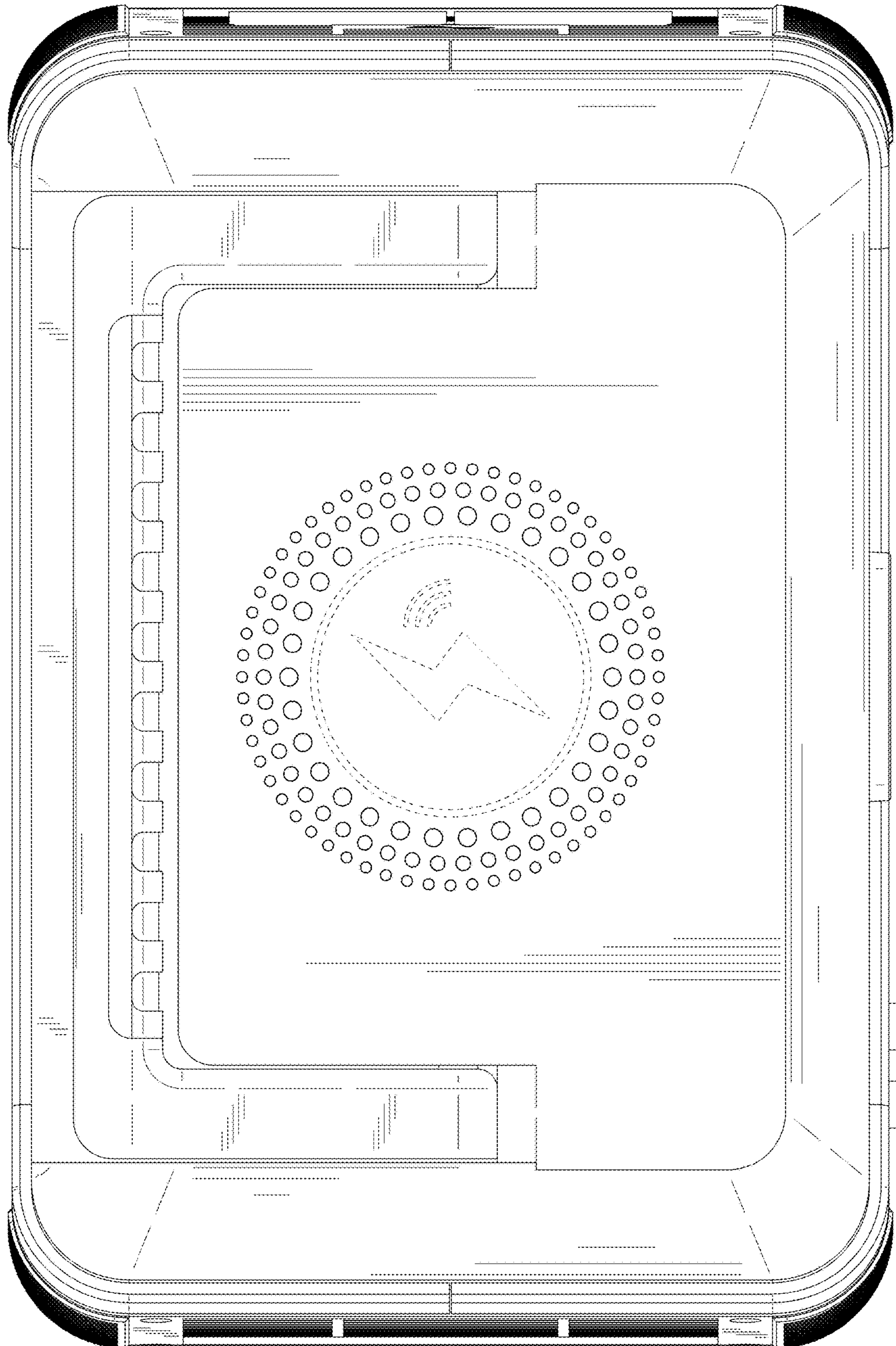


FIG. 7

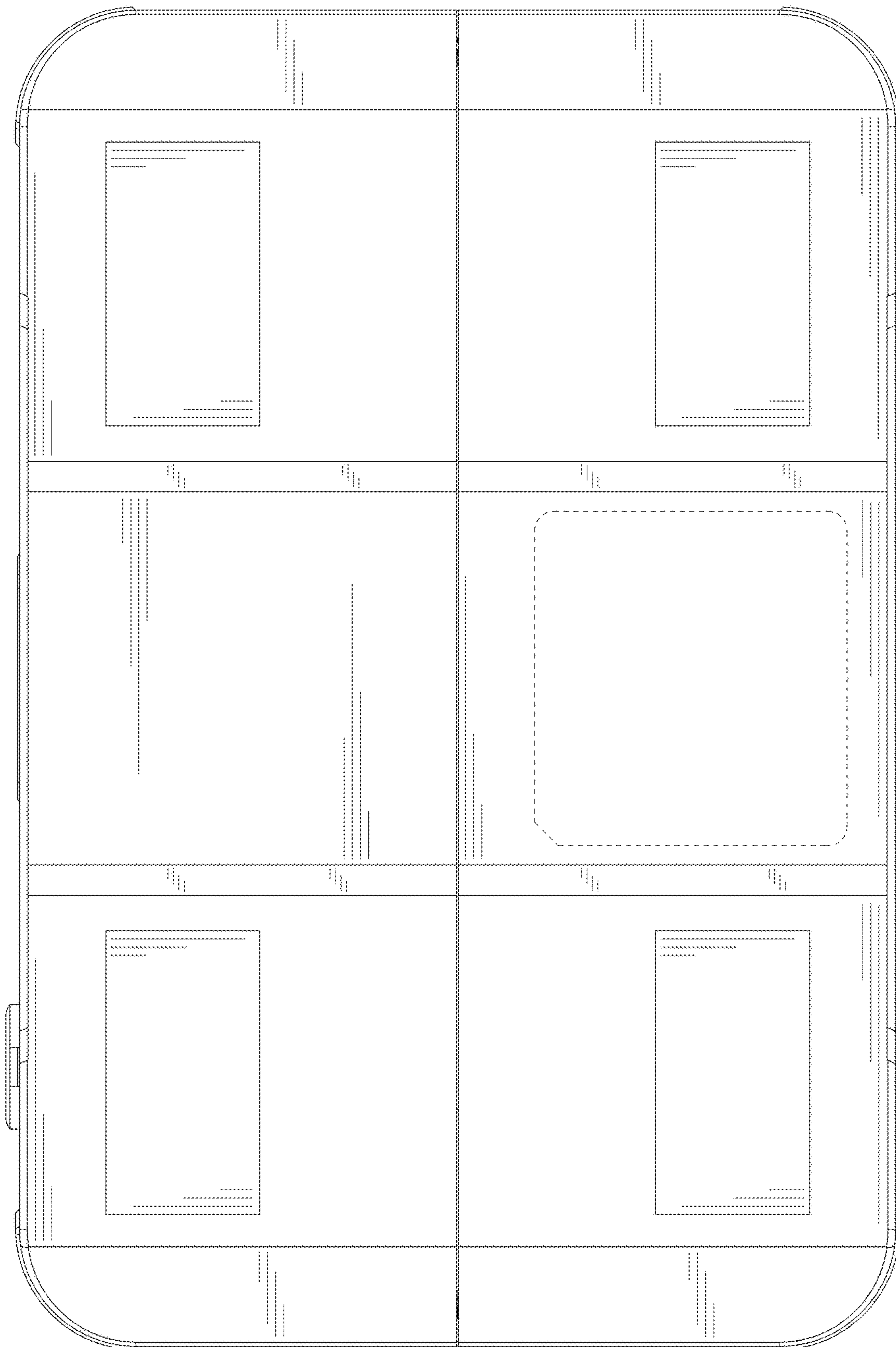


FIG. 8

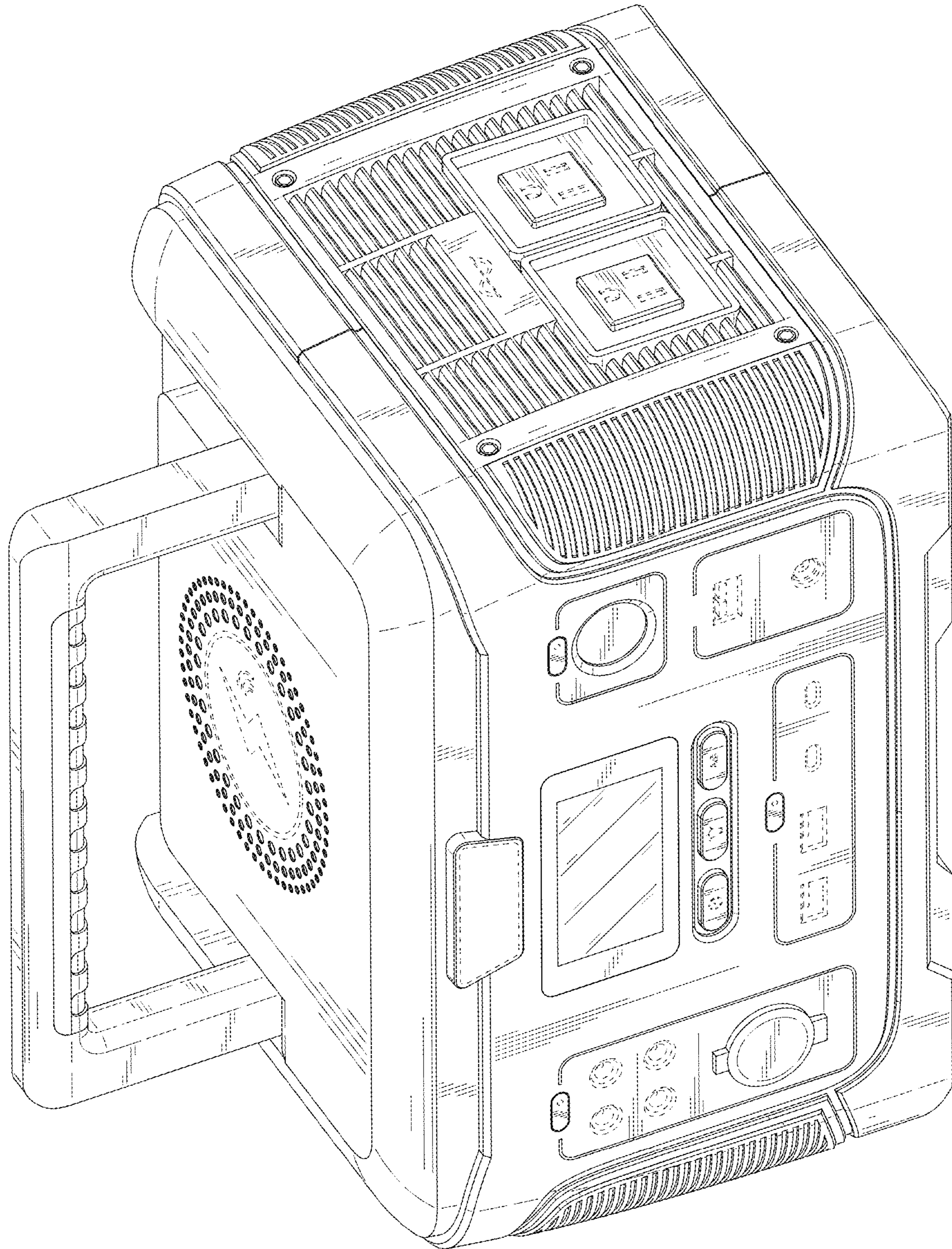


FIG. 9

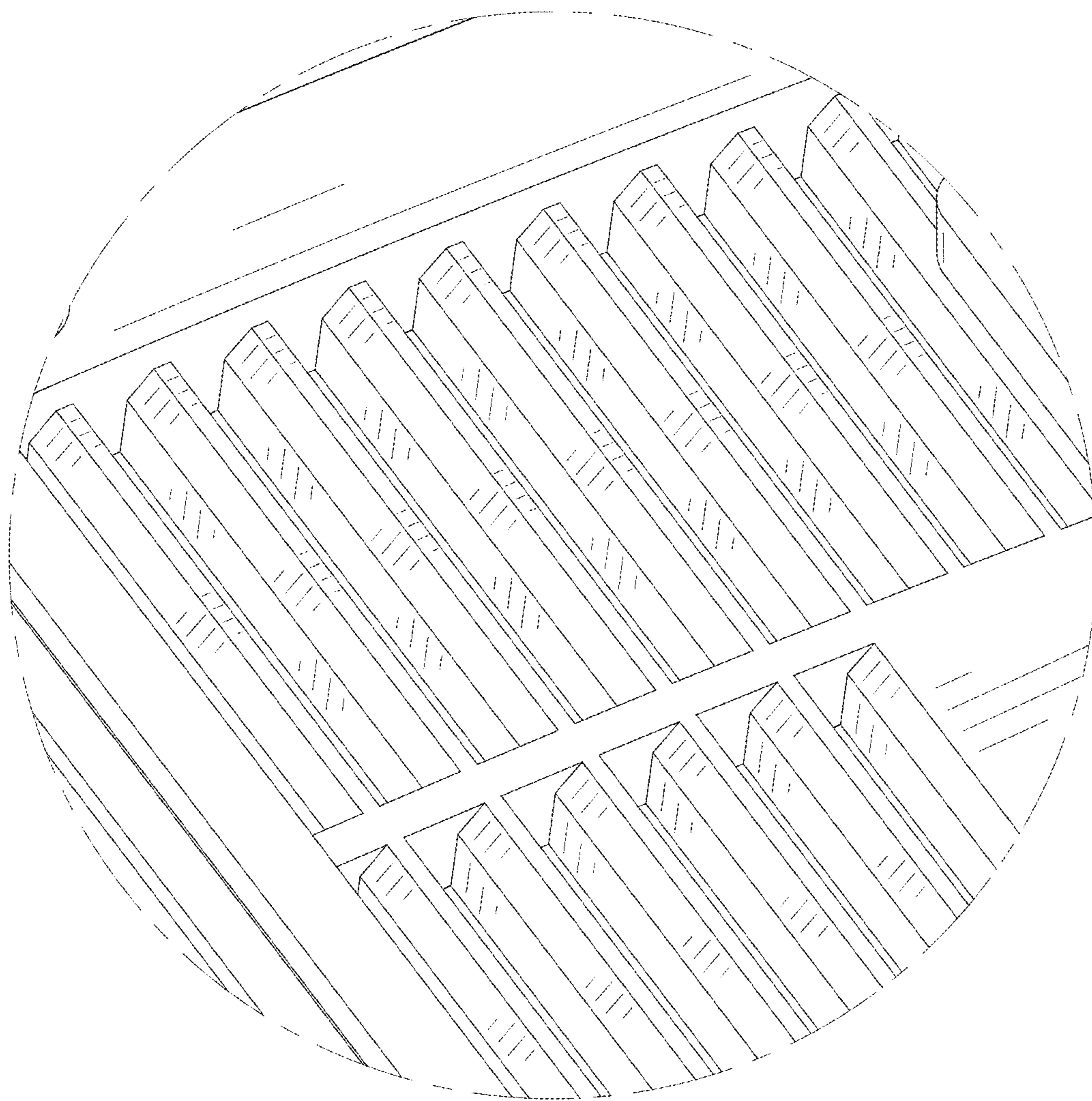


FIG. 10

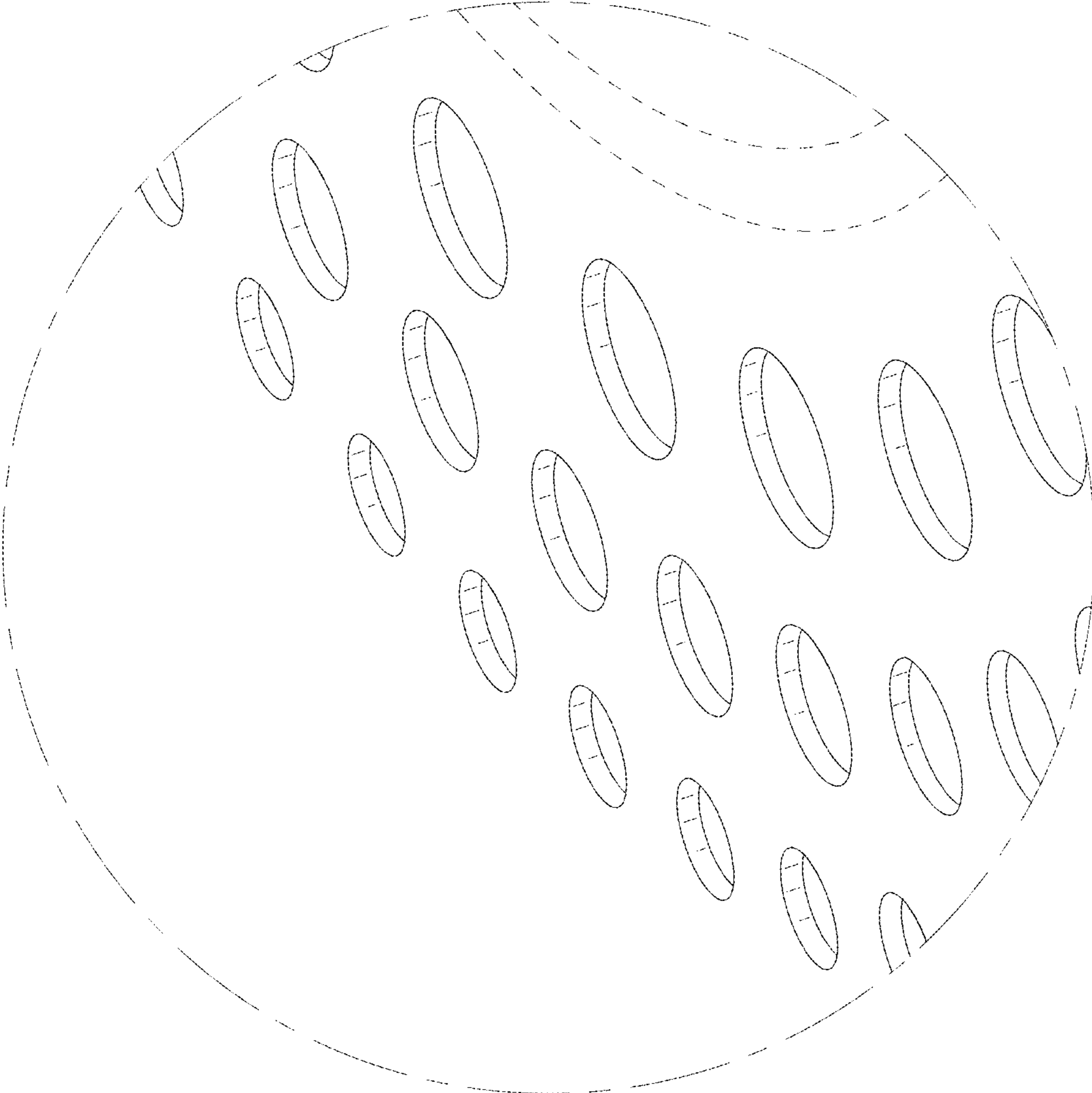


FIG. 11