



US00D971128S

(12) **United States Design Patent**
Herbeuval et al.

(10) **Patent No.:** **US D971,128 S**

(45) **Date of Patent:** **** Nov. 29, 2022**

(54) **TIRE**

(71) Applicant: **The Goodyear Tire & Rubber Company, Akron, OH (US)**

(72) Inventors: **Veronique Marie-Jose Herbeuval, Arlon (BE); Sebastien Willy Fontaine, Vichten (LU); Alex van der Meer, Colmar-Berg (LU); Michael Oscar Dooley, Lintgen (LU); Armand Rene Gabriel Leconte, Insensborn (LU)**

(73) Assignee: **The Goodyear Tire & Rubber Company, Akron, OH (US)**

(**) Term: **15 Years**

(21) Appl. No.: **29/756,209**

(22) Filed: **Oct. 27, 2020**

(51) **LOC (13) Cl.** **12-15**

(52) **U.S. Cl.**
USPC **D12/584**

(58) **Field of Classification Search**
USPC D12/568–605, 900
CPC Y10T 152/10027; B60C 1/0016; B60C 11/0306; B60C 11/0302; B60C 3/06; B60C 9/17

See application file for complete search history.

(56) **References Cited**

U.S. PATENT DOCUMENTS

D600,635 S	9/2009	Finnell et al.	D12/601
D642,114 S *	7/2011	Sugimoto	D12/578
D665,335 S	8/2012	Baumard et al.	D12/517
D666,137 S	8/2012	Sieber et al.	D12/517
D679,241 S	4/2013	Fehl et al.	D12/524
D700,884 S	3/2014	Herbeuval et al.	D12/584
D709,433 S	7/2014	Inoue	D12/517
D744,406 S	12/2015	Alsina	D12/521
D753,054 S	4/2016	Fujita	D12/585
D760,151 S *	6/2016	Hayashi	D12/584

D760,641 S *	7/2016	Colombo	D12/584
D761,726 S	7/2016	Umstot et al.	D12/601
D767,482 S *	9/2016	Kiwaki	D12/584

(Continued)

Primary Examiner — John A Voytek

(74) *Attorney, Agent, or Firm* — Robert N. Lipsik; June E. Rickey

(57) **CLAIM**

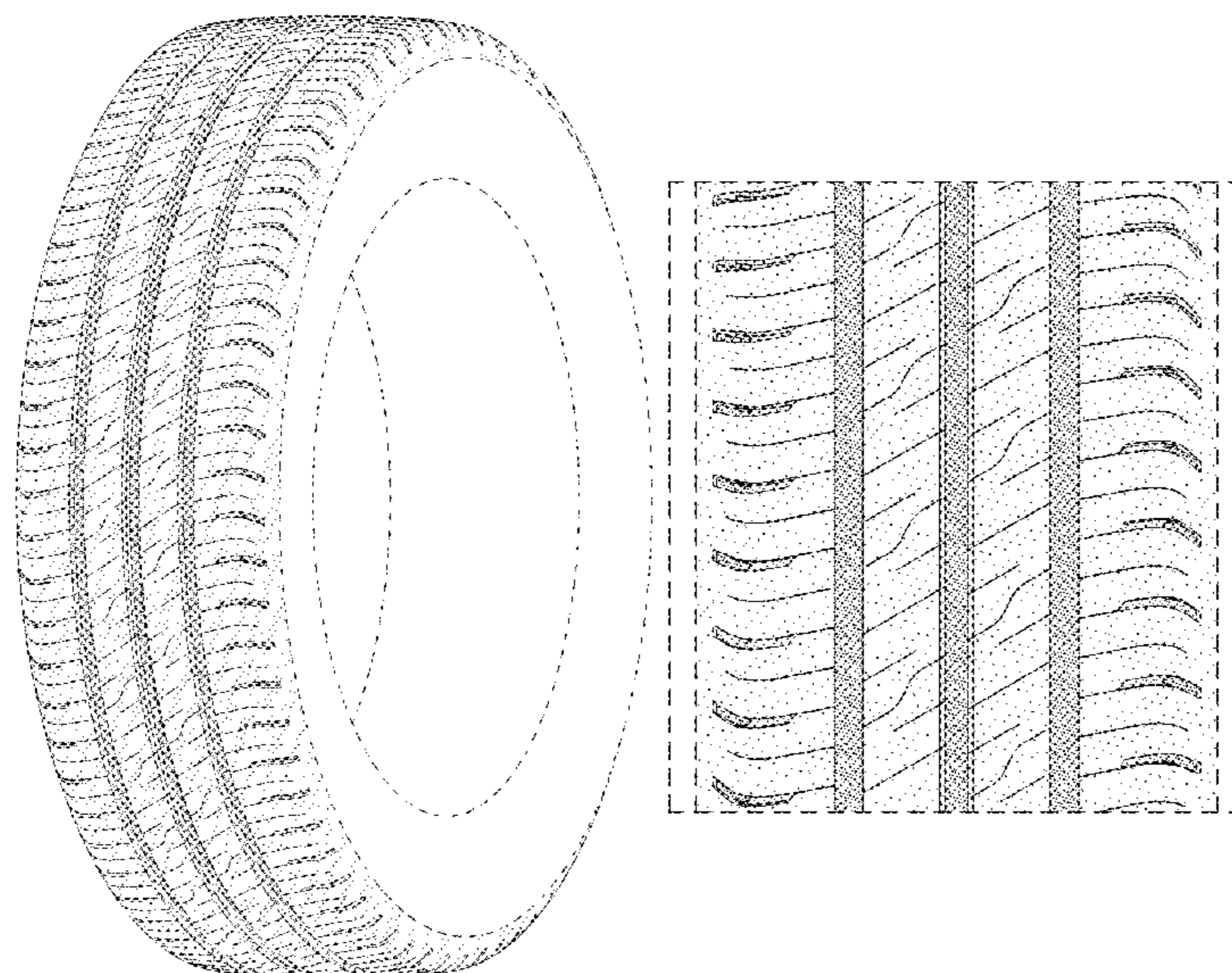
The ornamental Design for a tire, as shown and described.

DESCRIPTION

FIG. 1 is a perspective view of a tire showing our new design, it being understood that the pattern repeats uniformly throughout the circumference of the tread;
 FIG. 2 is a front elevational view thereof;
 FIG. 3 is a right side elevational view thereof; the left side elevational view being identical thereto;
 FIG. 4 is an enlarged fragmentary front elevational view thereof taken along line 4-4 of FIG. 2;
 FIG. 5 is a perspective view of a second embodiment of a tire showing our new design, it being understood that the interior of the tire forms no part of the claim, that the pattern repeats uniformly throughout the circumference of the tread and that the opposite side view is identical thereto; and,
 FIG. 6 is a front elevational view of a second embodiment, it being understood that an enlarged fragmentary view thereof would be substantially identical to that shown in FIG. 4, with the exception of the inclusion of the sidewall in the claim.

In the drawings, the broken lines immediately adjacent to the outer edges of the tire shoulder represent boundaries of the claim, and the broken lines depict environmental subject matter only and form no part of the claimed design. The dashed broken lines indicating an enlargement portion of the design form no part of the claimed design.

1 Claim, 6 Drawing Sheets



(56)

References Cited

U.S. PATENT DOCUMENTS

D768,562 S	*	10/2016	Kato	D12/597
D771,553 S		11/2016	Nagase	D12/532
D771,554 S		11/2016	Garcia et al.	D12/574
D771,555 S		11/2016	Neary et al.	D12/584
D780,668 S	*	3/2017	Raatikainen	D12/521
D782,969 S		4/2017	Davis et al.	D12/597
D784,914 S	*	4/2017	Fontaine	D12/584
D789,289 S		6/2017	Sareen	D12/596
D791,063 S		7/2017	Simon et al.	D12/517
D791,064 S		7/2017	Bokken et al.	D12/517
D795,164 S		8/2017	Philipot et al.	D12/521
D795,790 S		8/2017	Simon et al.	D12/517
D797,652 S		9/2017	Bokken	D12/520
D803,770 S	*	11/2017	Hayashi	D12/584
D813,794 S	*	3/2018	Tanaka	D12/584
D823,233 S		7/2018	Fontaine et al.	D12/519
D847,726 S		5/2019	Maggelet et al.	D12/521
D849,670 S	*	5/2019	Wang	D12/584
D852,117 S		6/2019	Meetarbhan et al.	D12/517
D853,942 S		7/2019	Haas et al.	D12/584
D853,947 S		7/2019	Pribula	D12/596
D861,584 S		10/2019	Pribula	D12/594
D862,369 S		10/2019	Pribula et al.	D12/521
D867,266 S		11/2019	Woelffel et al.	D12/531
D867,274 S		11/2019	Roberts et al.	D12/597
D886,034 S	*	6/2020	Pribula	D12/584
D892,033 S		8/2020	Soo	D12/531
D894,107 S	*	8/2020	Takahashi	D12/584
D902,132 S	*	11/2020	Ohte	D12/588
D948,413 S	*	4/2022	Pautard	D12/517

* cited by examiner

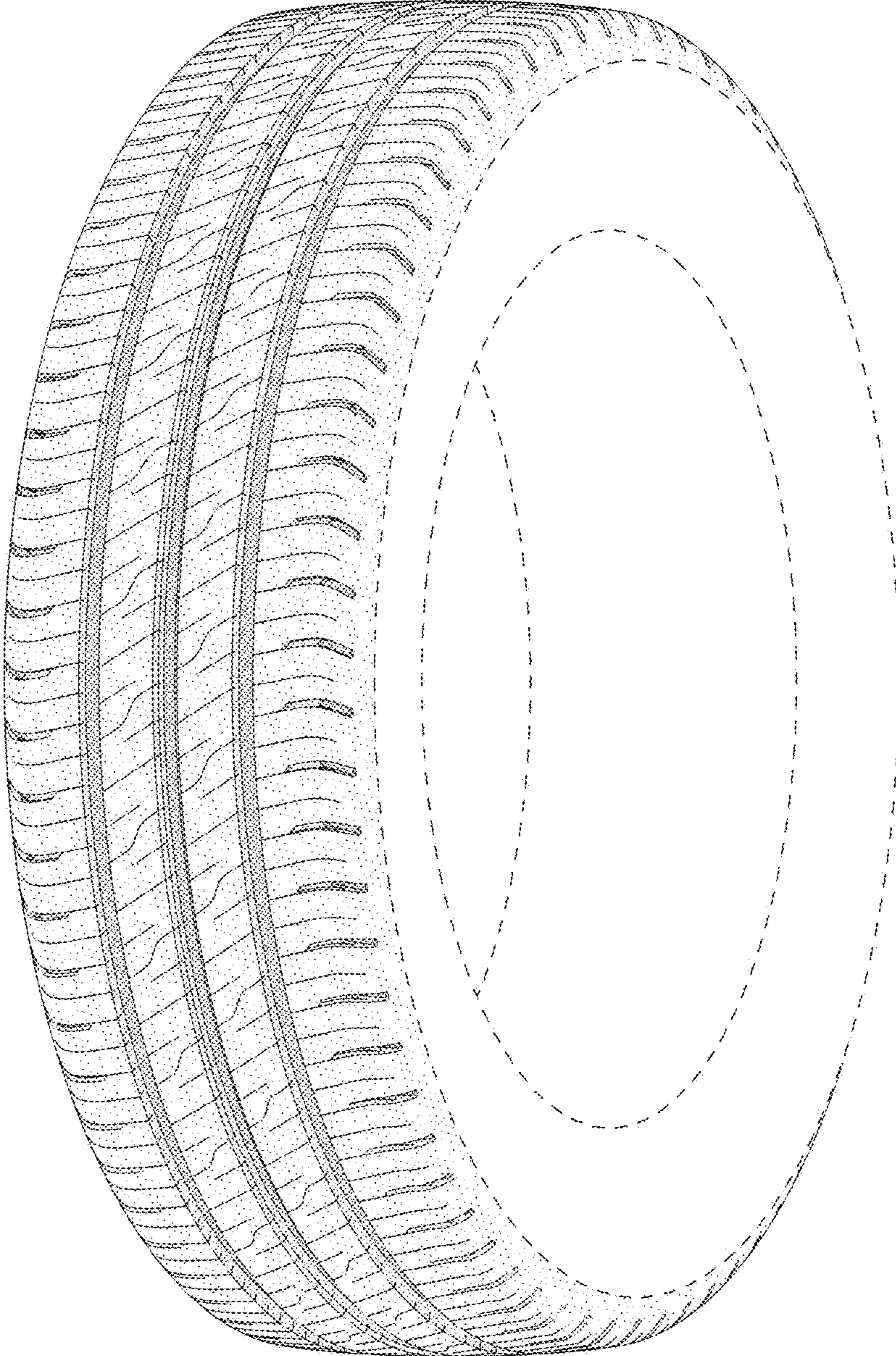


FIG - 1

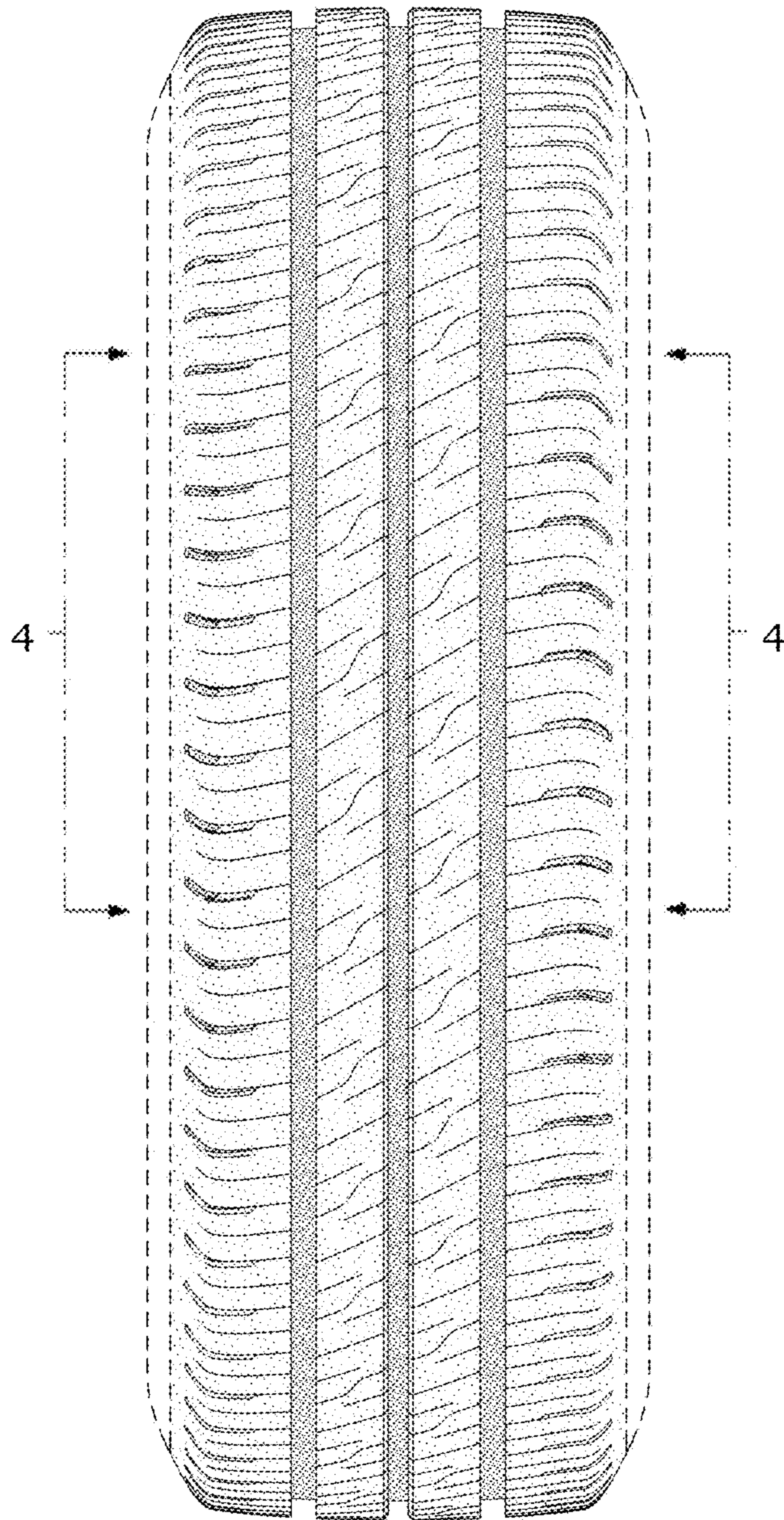


FIG - 2

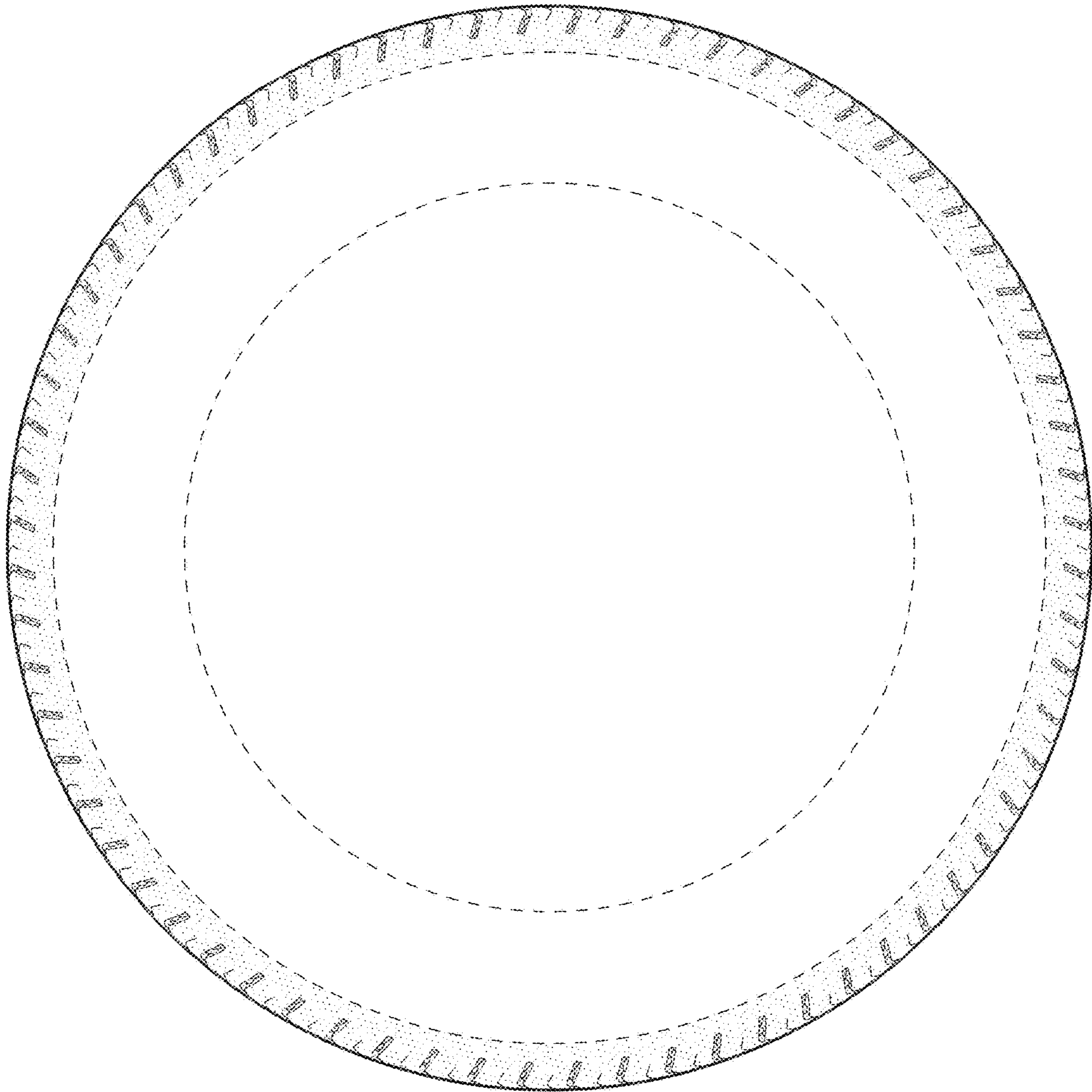


FIG - 3

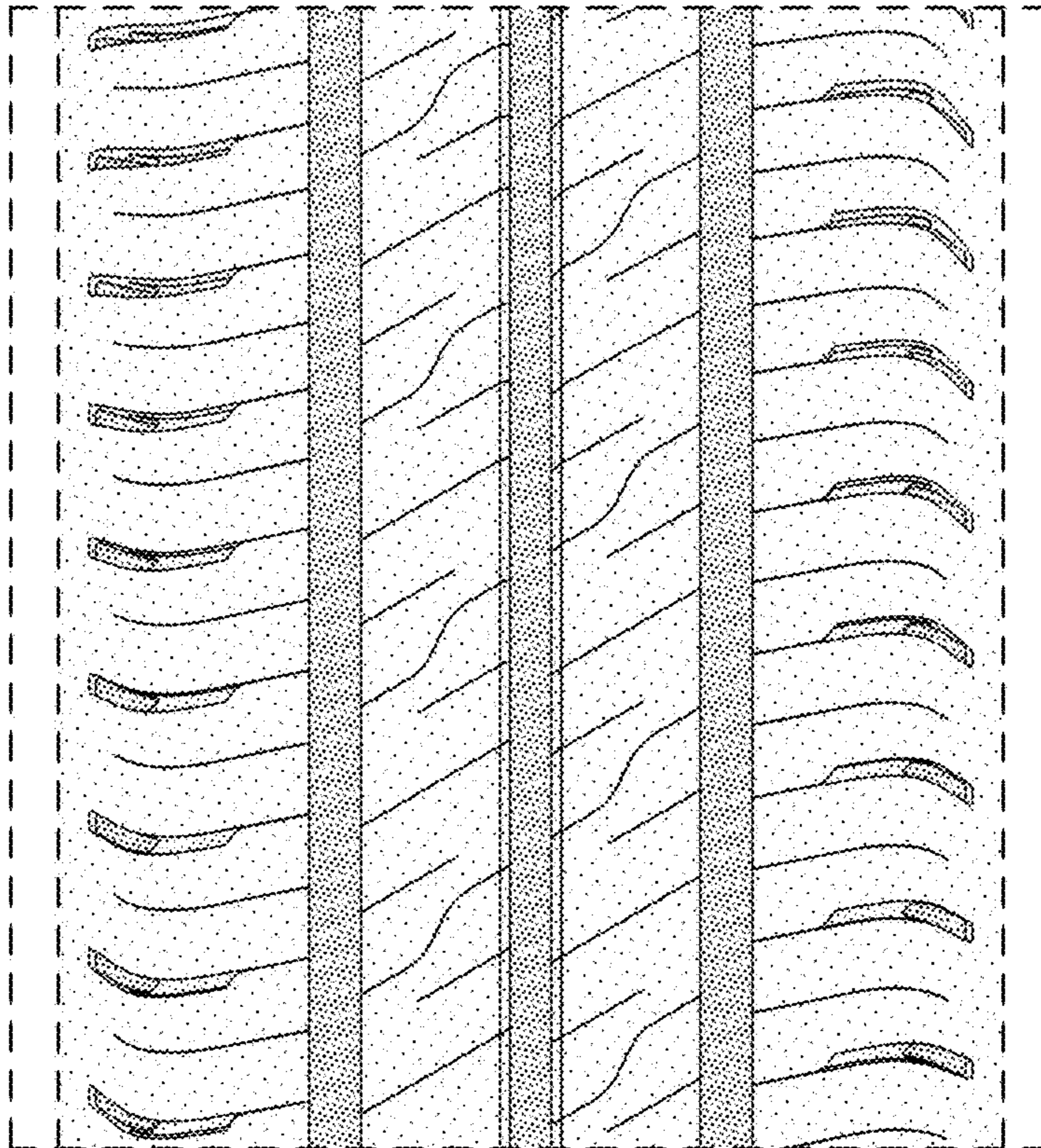


FIG - 4

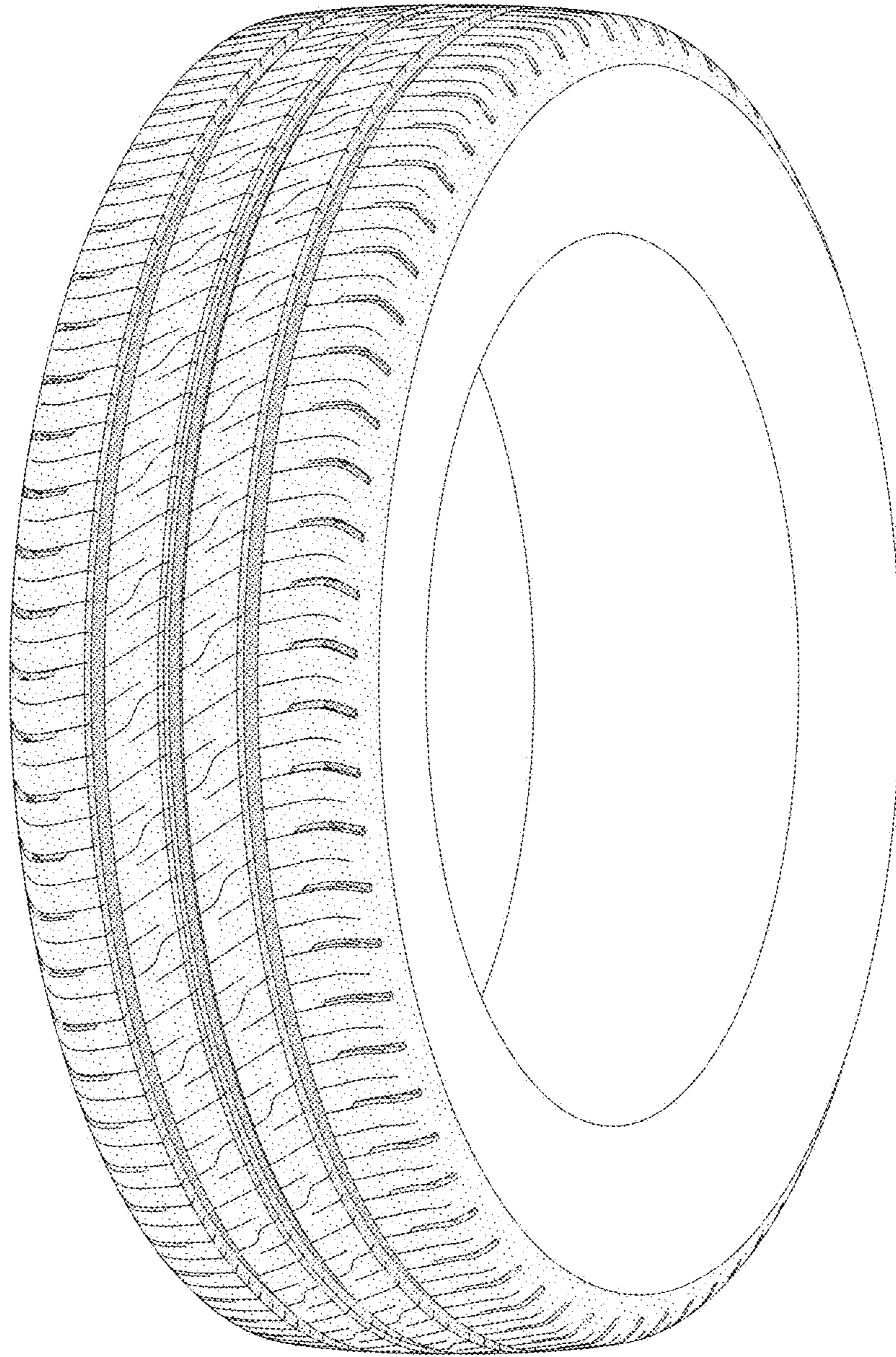


FIG - 5

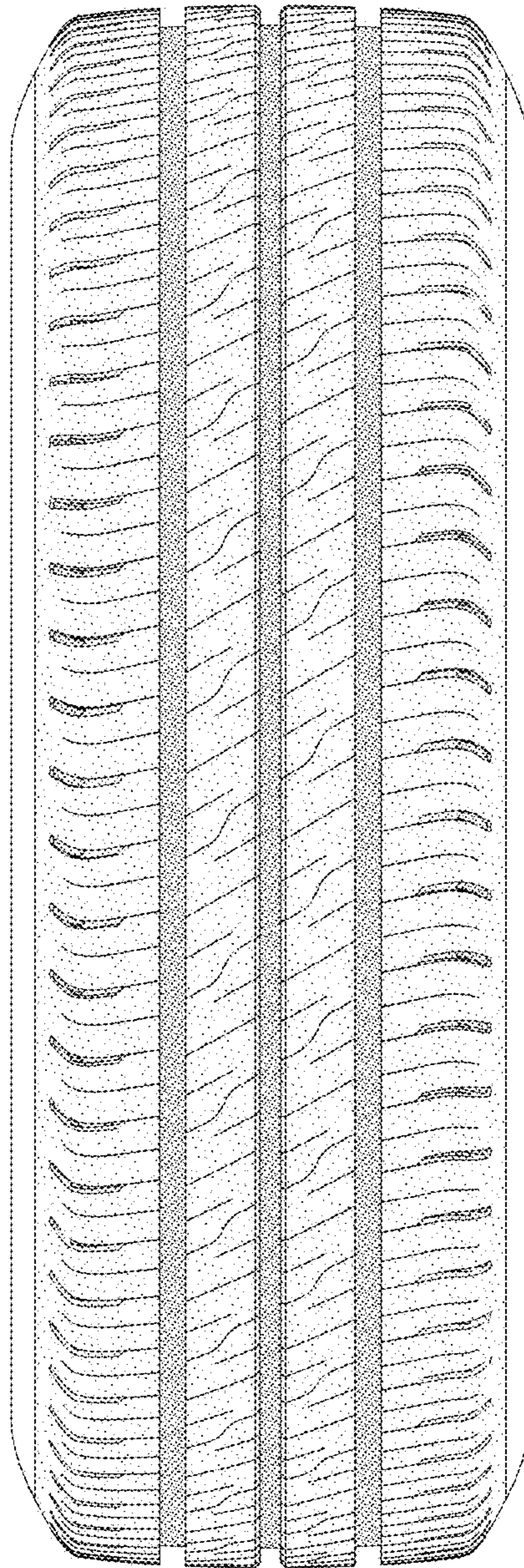


FIG - 6