



US00D971127S

(12) **United States Design Patent**
Meier

(10) **Patent No.:** **US D971,127 S**

(45) **Date of Patent:** **** Nov. 29, 2022**

- (54) **VEHICLE TYRE**
- (71) Applicant: **Continental Reifen Deutschland GmbH, Hannover (DE)**
- (72) Inventor: **Nico Meier, Hannover (DE)**
- (**) Term: **15 Years**
- (21) Appl. No.: **35/513,020**
- (22) Filed: **Oct. 20, 2021**
- (80) **Hague Agreement Data**
 Int. Filing Date: **Oct. 20, 2021**
 Int. Reg. No.: **DM/217457**
 Int. Reg. Date: **Oct. 20, 2021**
 Int. Reg. Pub. Date: **Nov. 26, 2021**
- (51) **LOC (13) Cl.** **12-15**
- (52) **U.S. Cl.**
USPC **D12/579**
- (58) **Field of Classification Search**
USPC D12/568-605, 900
CPC Y10T 152/10027; B60C 1/0016; B60C 11/0306; B60C 11/0302; B60C 3/06; B60C 9/17
See application file for complete search history.
- (56) **References Cited**
U.S. PATENT DOCUMENTS

D126,072 S * 3/1941 Hardeman D12/599
2,971,552 A * 2/1961 Williams B60C 11/0311
152/209.1

- 3,786,848 A * 1/1974 Brown B60C 11/0311
152/209.16
- D251,722 S * 5/1979 Tamura D12/593
- 4,265,287 A * 5/1981 Abe B60C 11/01
152/209.16
- D457,487 S * 5/2002 Rayman D12/579
- 7,234,495 B2* 6/2007 Frank B60C 9/08
152/526
- D585,820 S * 2/2009 Motta D12/599
- D613,241 S * 4/2010 Song D12/592
- D613,677 S * 4/2010 Neubauer D12/579
- D619,532 S * 7/2010 Bao D12/599
- D631,821 S * 2/2011 Kline D12/570
- D633,435 S * 3/2011 Shan D12/599
- D642,973 S * 8/2011 Parr D12/599
- D652,371 S * 1/2012 Parr D12/599
- D652,372 S * 1/2012 Rayman D12/599
- D815,019 S * 4/2018 Wang D12/579

* cited by examiner

Primary Examiner — John A Voytek

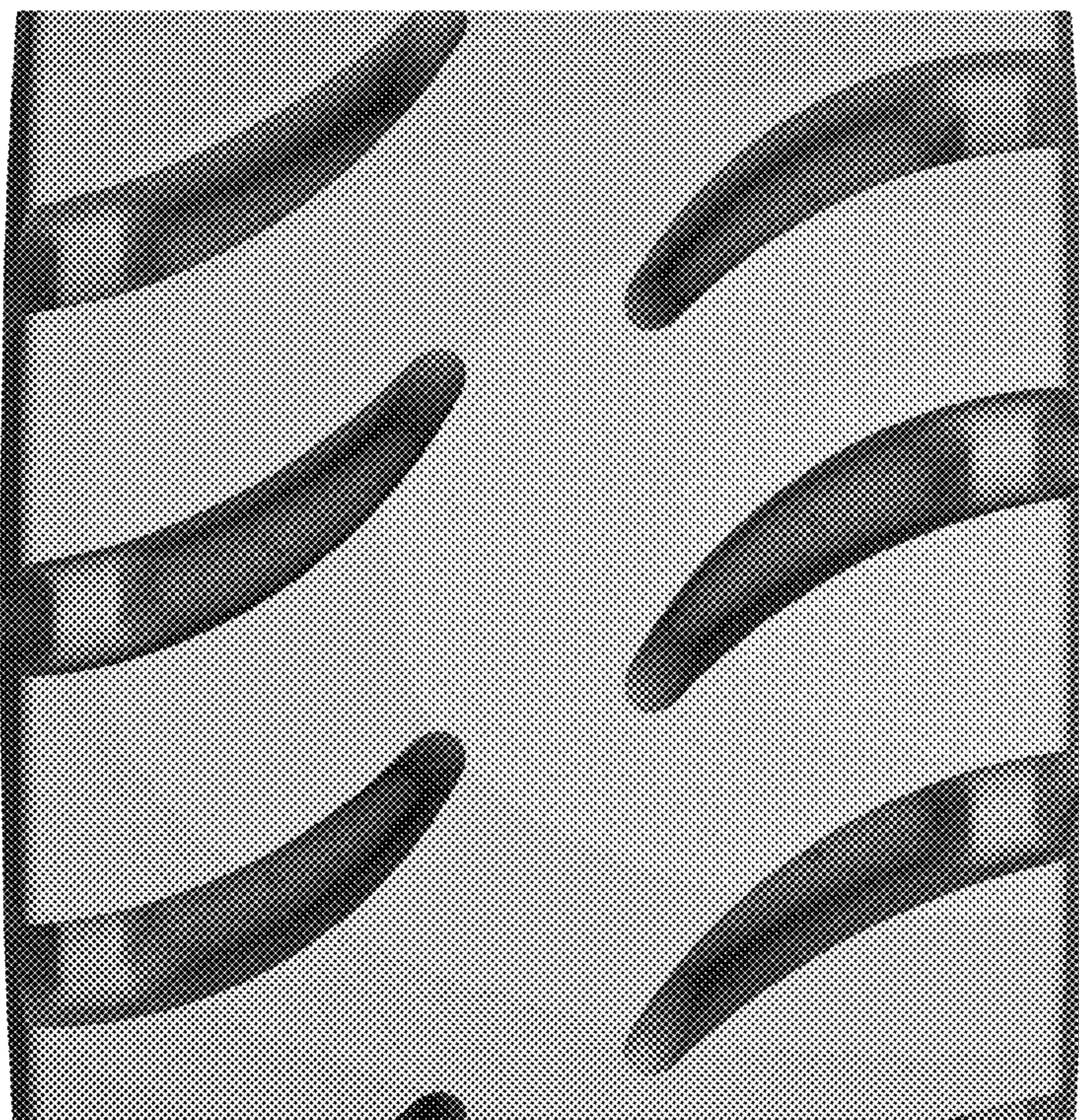
(57) **CLAIM**

The ornamental design for a vehicle tyre, as shown and described.

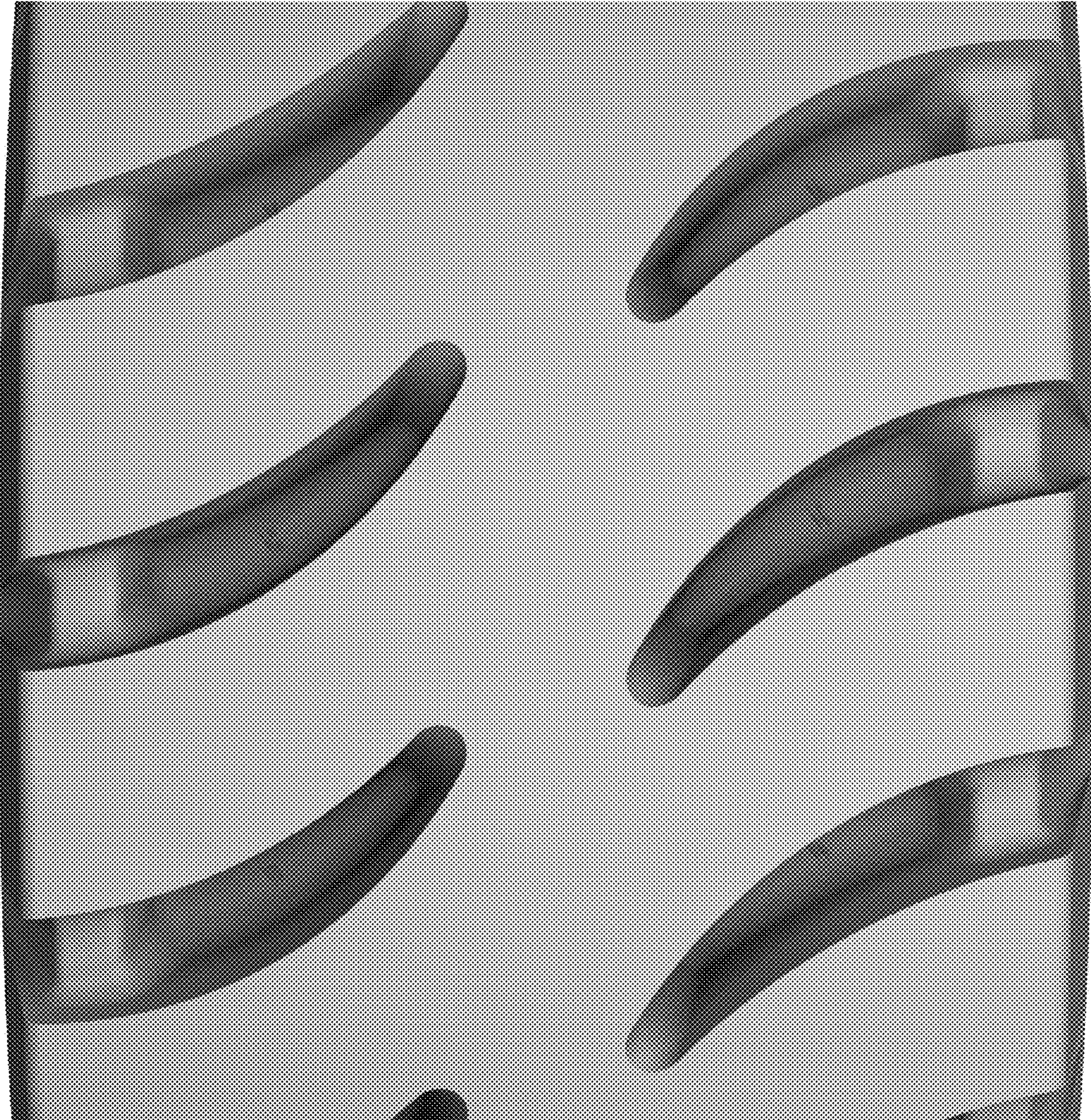
DESCRIPTION

- 1. Vehicle tyre
- 1.1 : Enlarged
- 1.2 : Perspective
- 1.3 : Front
- 1.4 : Top
- 1.5 : Right
- 1.6 : Left

1 Claim, 6 Drawing Sheets



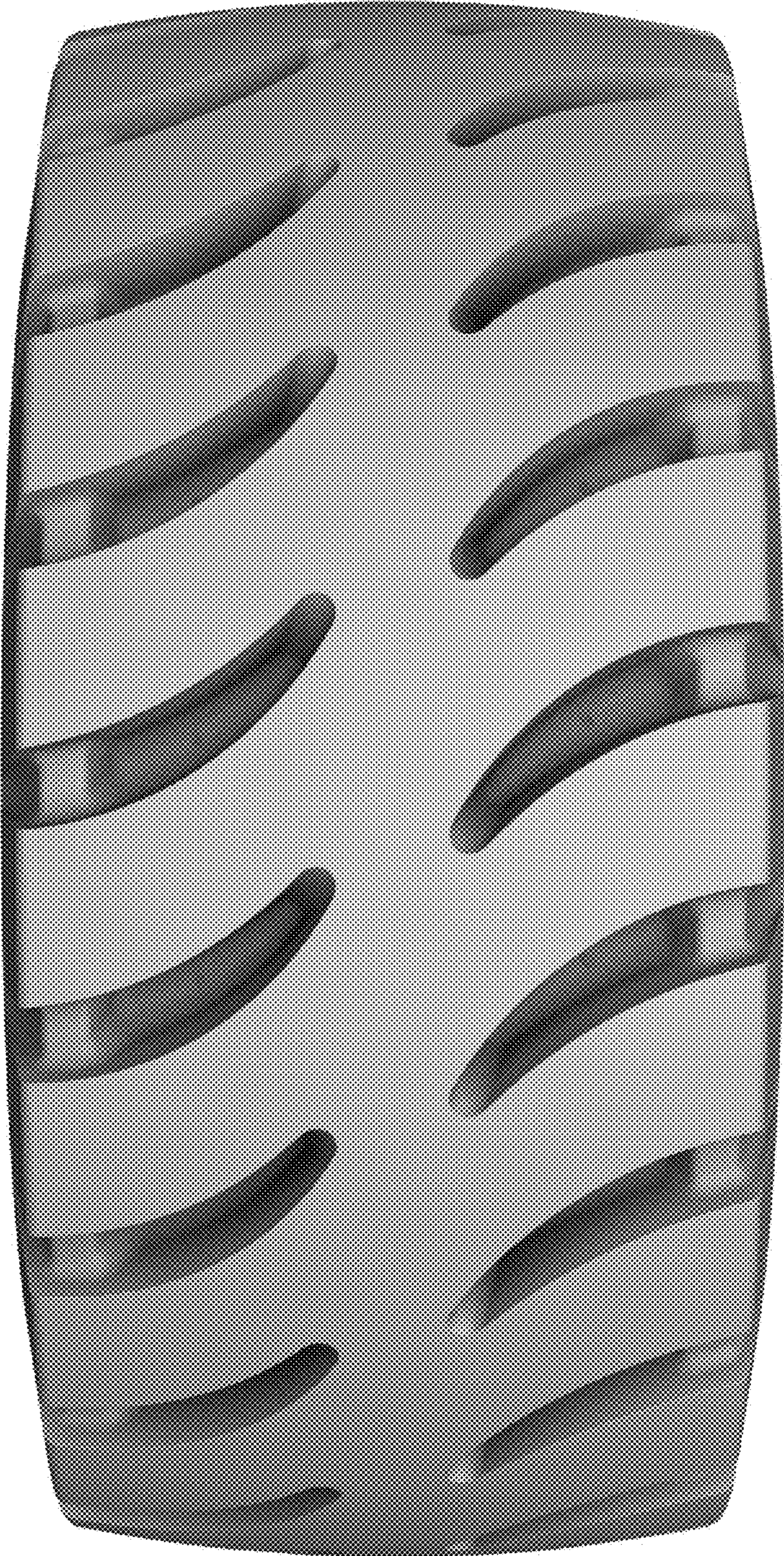
1.1



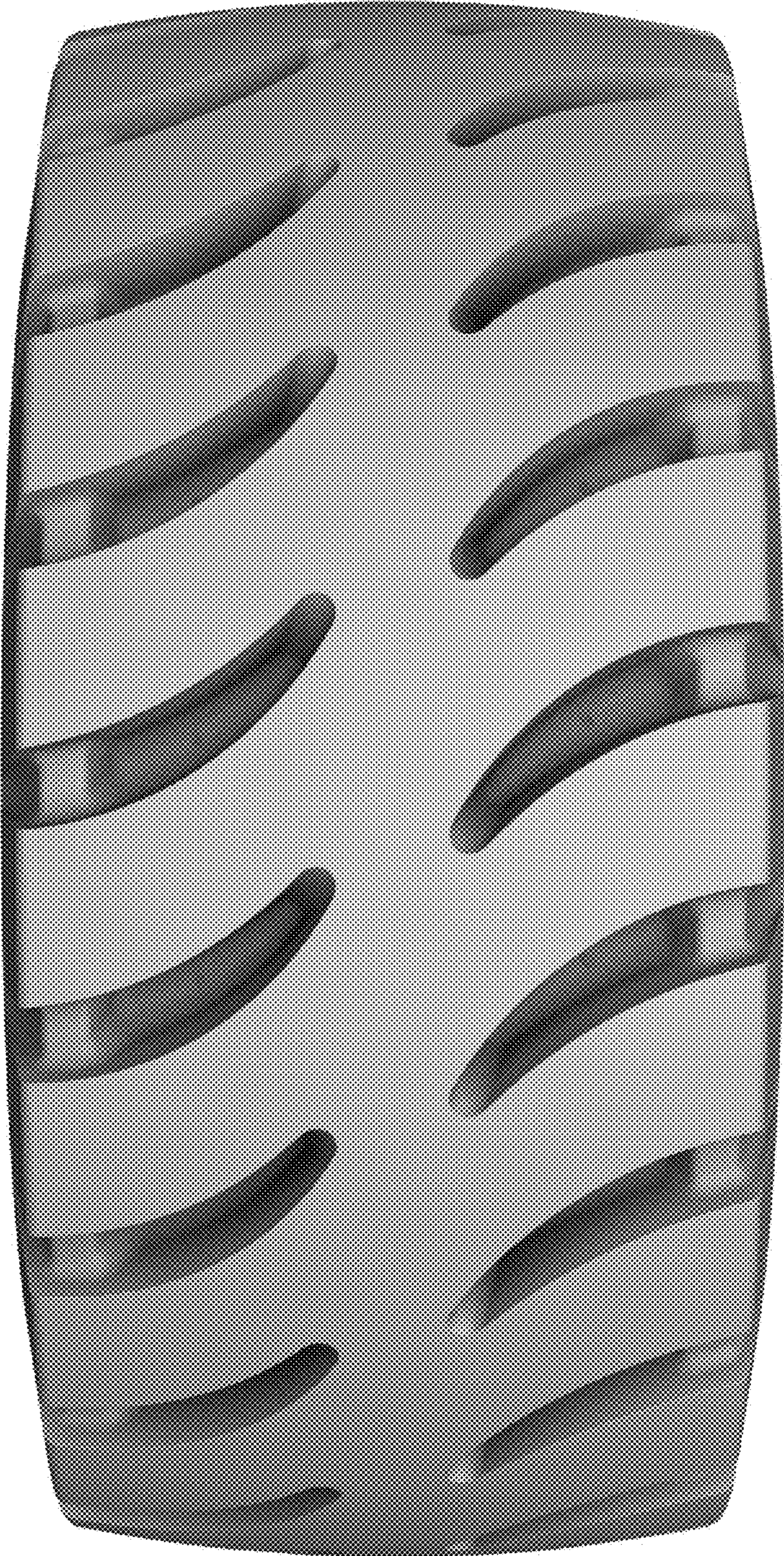
1.2



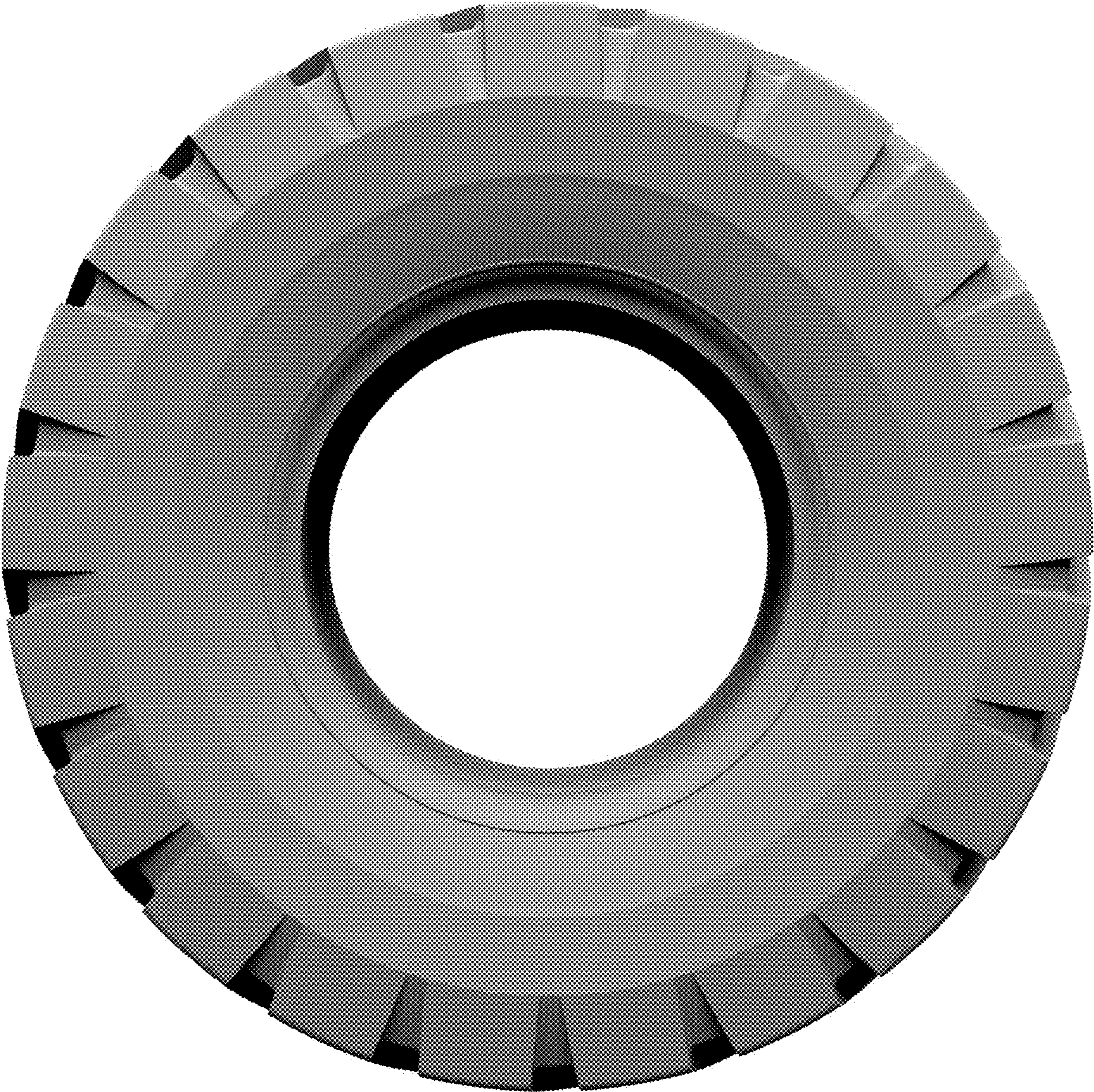
1.3



1.4



1.5



1.6

