



US00D971119S

(12) **United States Design Patent**  
**Berton**

(10) **Patent No.:** **US D971,119 S**

(45) **Date of Patent:** **\*\* Nov. 29, 2022**

(54) **BRACKET FOR MOUNTING A THRUSTER TO A BOAT**

(71) Applicant: **Gerald Berton**, Coral Gables, FL (US)

(72) Inventor: **Gerald Berton**, Coral Gables, FL (US)

(\*\*) Term: **15 Years**

(21) Appl. No.: **29/738,149**

(22) Filed: **Jun. 15, 2020**

(51) **LOC (13) Cl.** ..... **12-06**

(52) **U.S. Cl.**  
USPC ..... **D12/317**

(58) **Field of Classification Search**  
USPC ..... D12/317; D15/4  
CPC . B63H 1/00; B63H 5/00; B63H 20/02; B63H  
20/04; B63H 20/06; B63H 20/16; B63H  
2020/025

See application file for complete search history.

(56) **References Cited**

**U.S. PATENT DOCUMENTS**

7,354,323	B1 *	4/2008	Mayers	.....	B63H 20/06 114/362
10,196,120	B2 *	2/2019	Turek	.....	F21V 21/14
10,272,982	B1 *	4/2019	McGraw	.....	B63H 20/007
10,618,621	B1 *	4/2020	Rott	.....	G05D 1/0206
10,940,923	B2 *	3/2021	Langham	.....	B63H 2021/216
10,953,974	B2 *	3/2021	Griffin	.....	B63H 1/16
D931,179	S *	9/2021	Berton	.....	D12/317
11,173,985	B2 *	11/2021	Berton	.....	B63B 3/70

11,220,318	B2 *	1/2022	Berton	.....	B63B 45/04
2014/0102350	A1 *	4/2014	Marcum	.....	B63B 34/67 114/343
2014/0318898	A1 *	10/2014	De Kruijf	.....	B63H 21/386 184/13.1
2019/0389549	A1 *	12/2019	Wilson	.....	B63H 5/125
2021/0139121	A1 *	5/2021	Welch	.....	B63H 20/06
2022/0089268	A1 *	3/2022	Berton	.....	B63B 45/04

\* cited by examiner

*Primary Examiner* — Cynthia M. Chin

(74) *Attorney, Agent, or Firm* — William H. Eilberg

(57) **CLAIM**

The ornamental design for a bracket for mounting a thruster to a boat, as shown and described.

**DESCRIPTION**

FIG. 1 is a perspective view of the bracket of the present invention.

FIG. 2 is a front elevational view.

FIG. 3 is a rear elevational view.

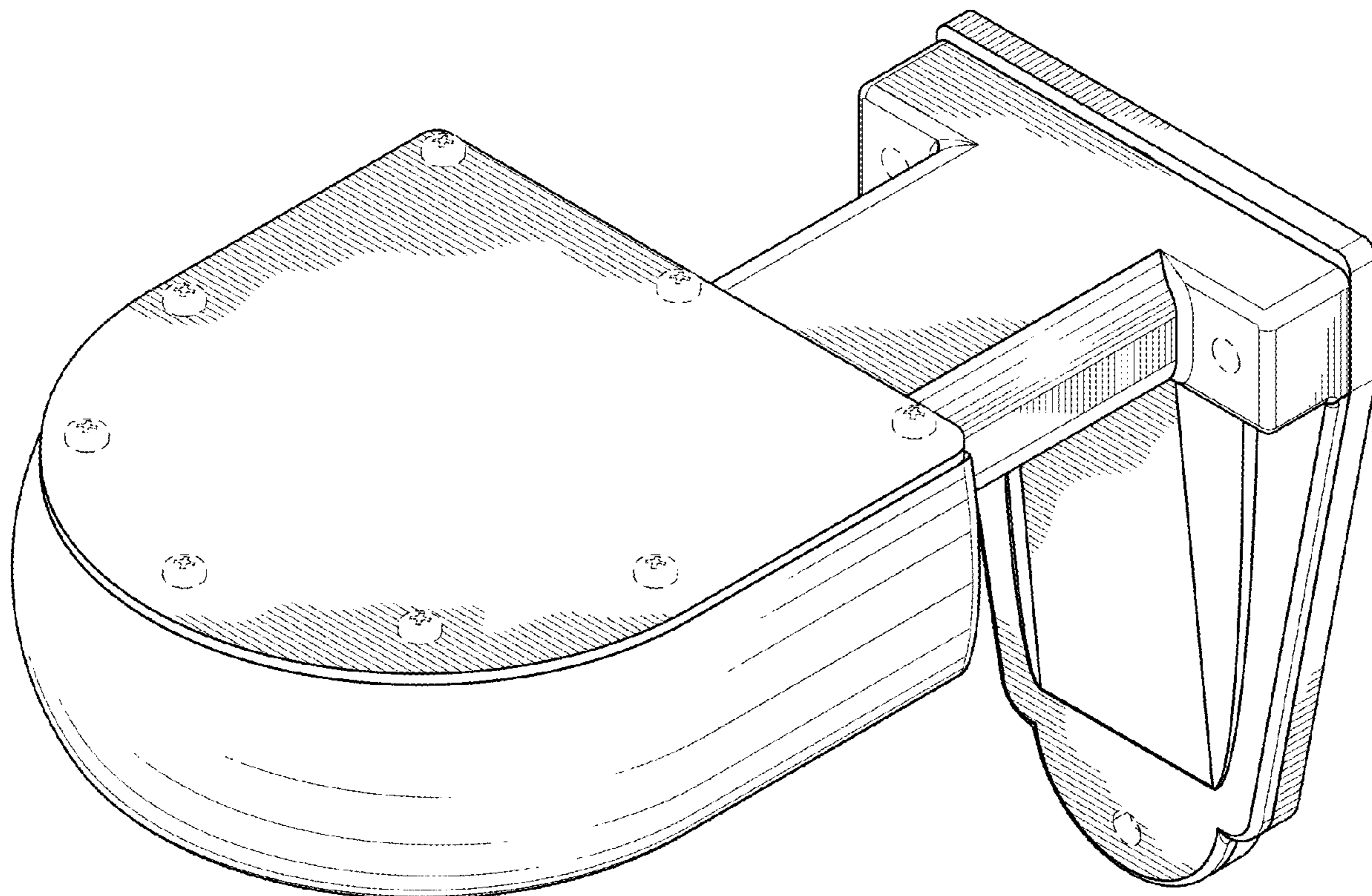
FIG. 4 is a side elevational view, the appearance being the same from either side, except that the respective side views are mirror images of each other.

FIG. 5 is a top plan view; and,

FIG. 6 is a bottom plan view.

The broken lines are for the purpose of illustrating portions of the article that form no part of the claimed design.

**1 Claim, 6 Drawing Sheets**



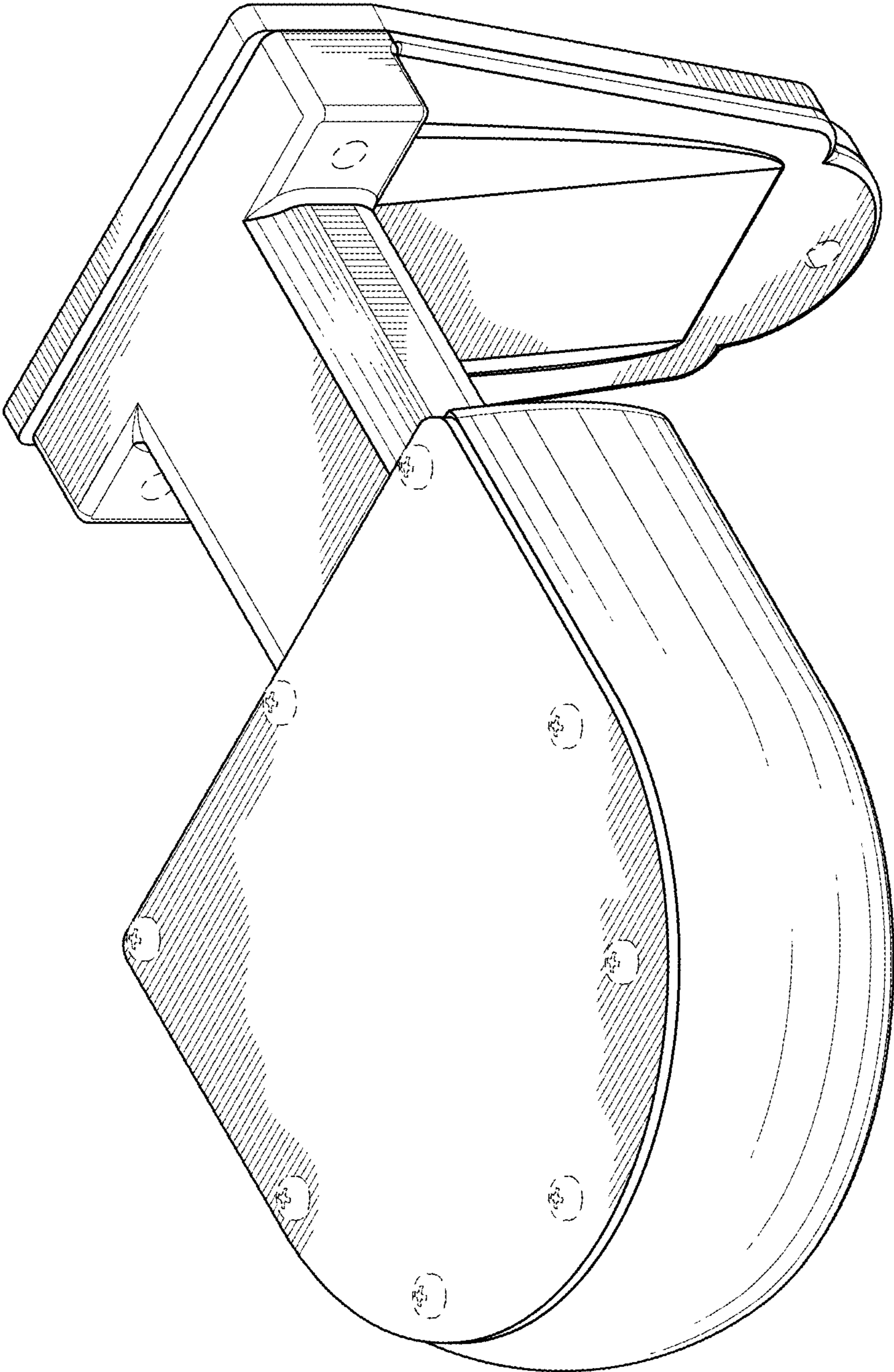


FIG. 1

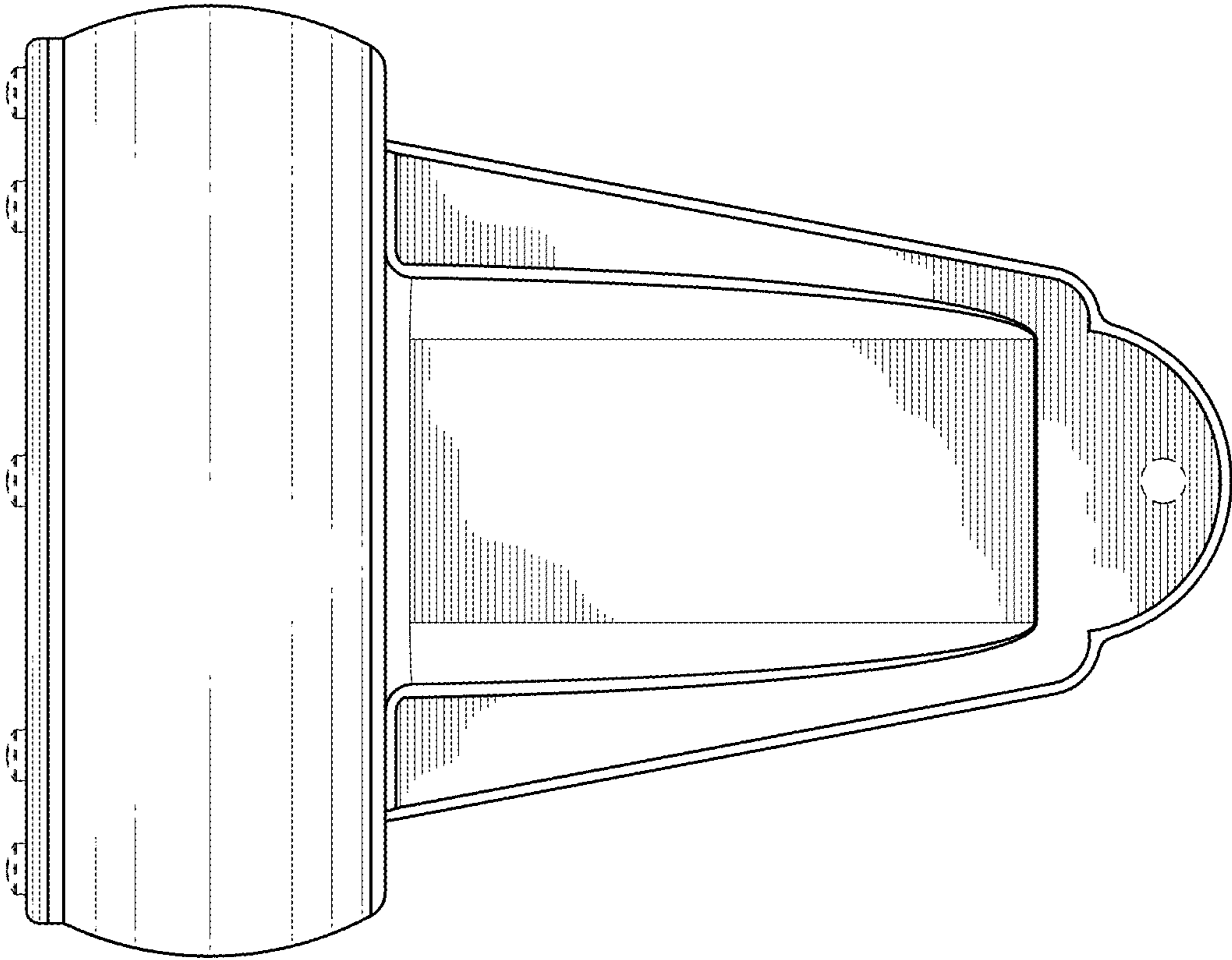


FIG. 2



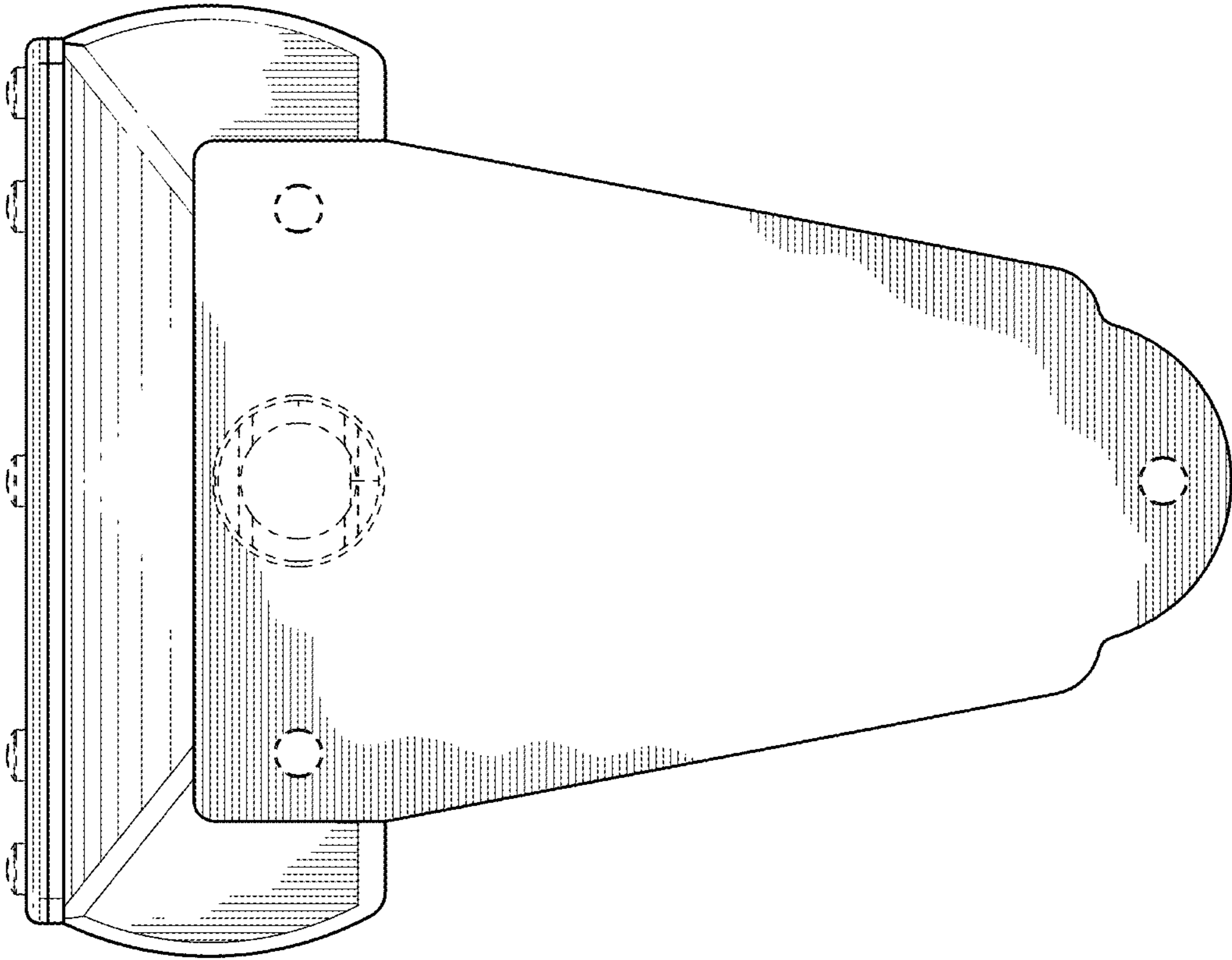


FIG. 3

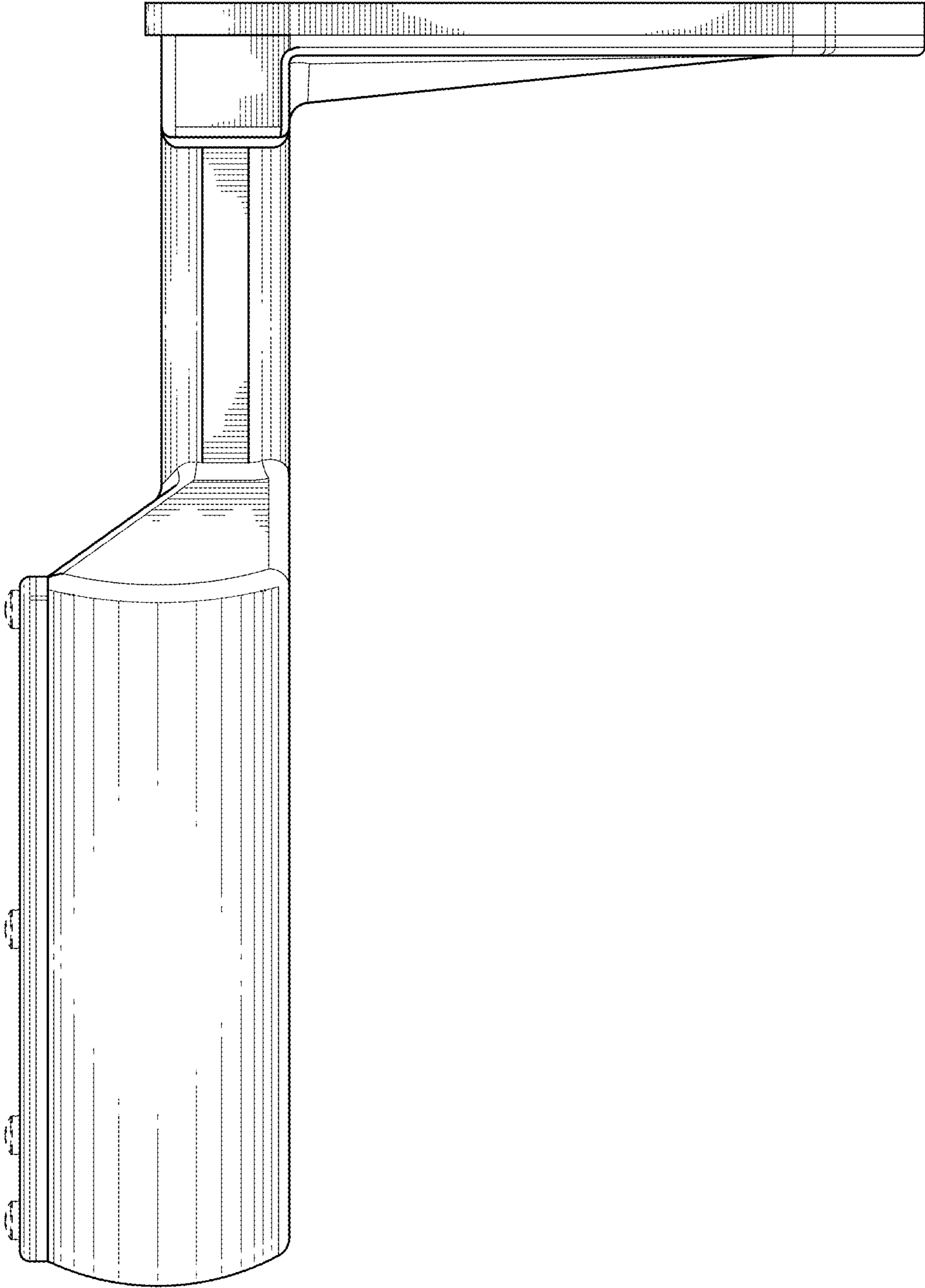


FIG. 4

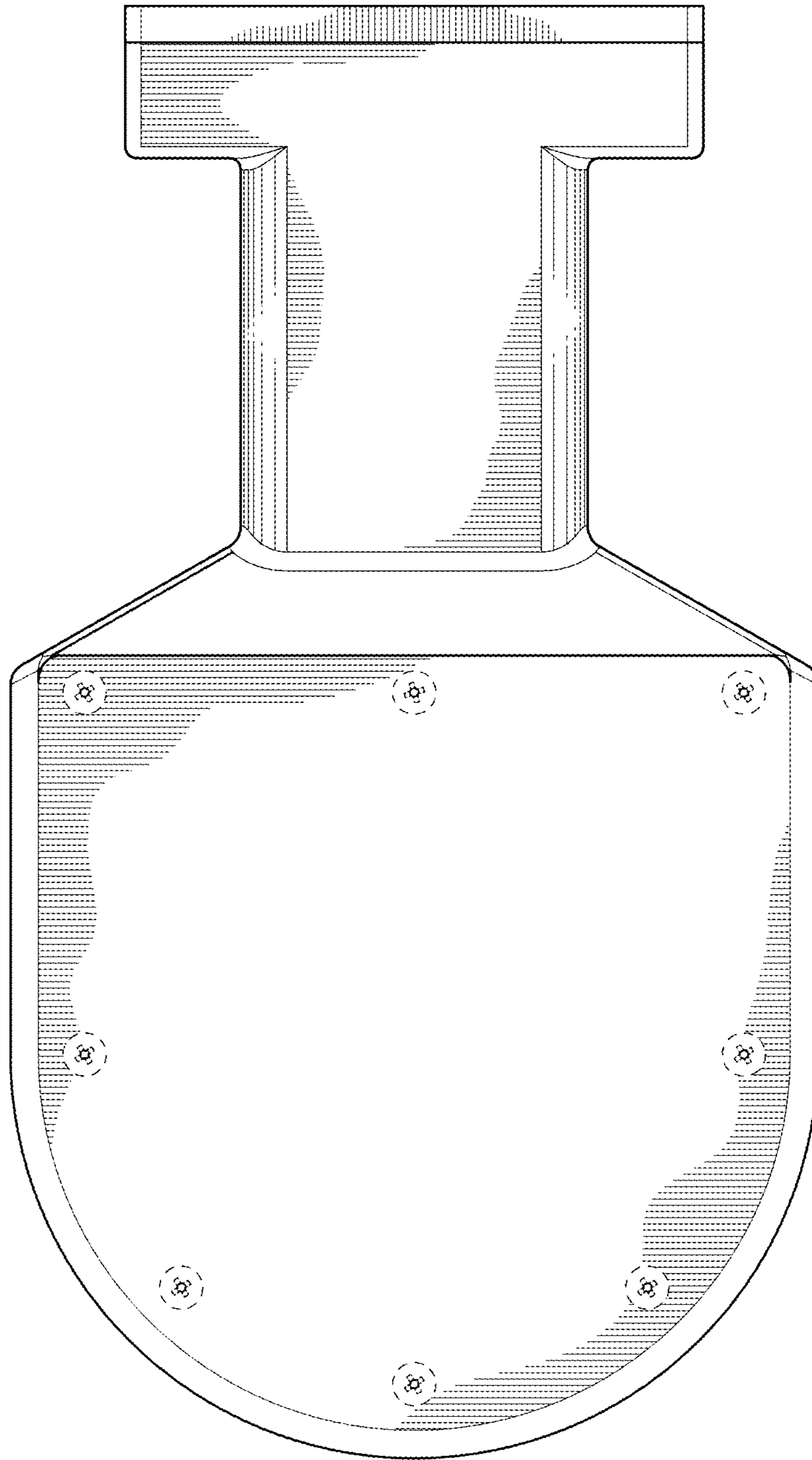


FIG. 5

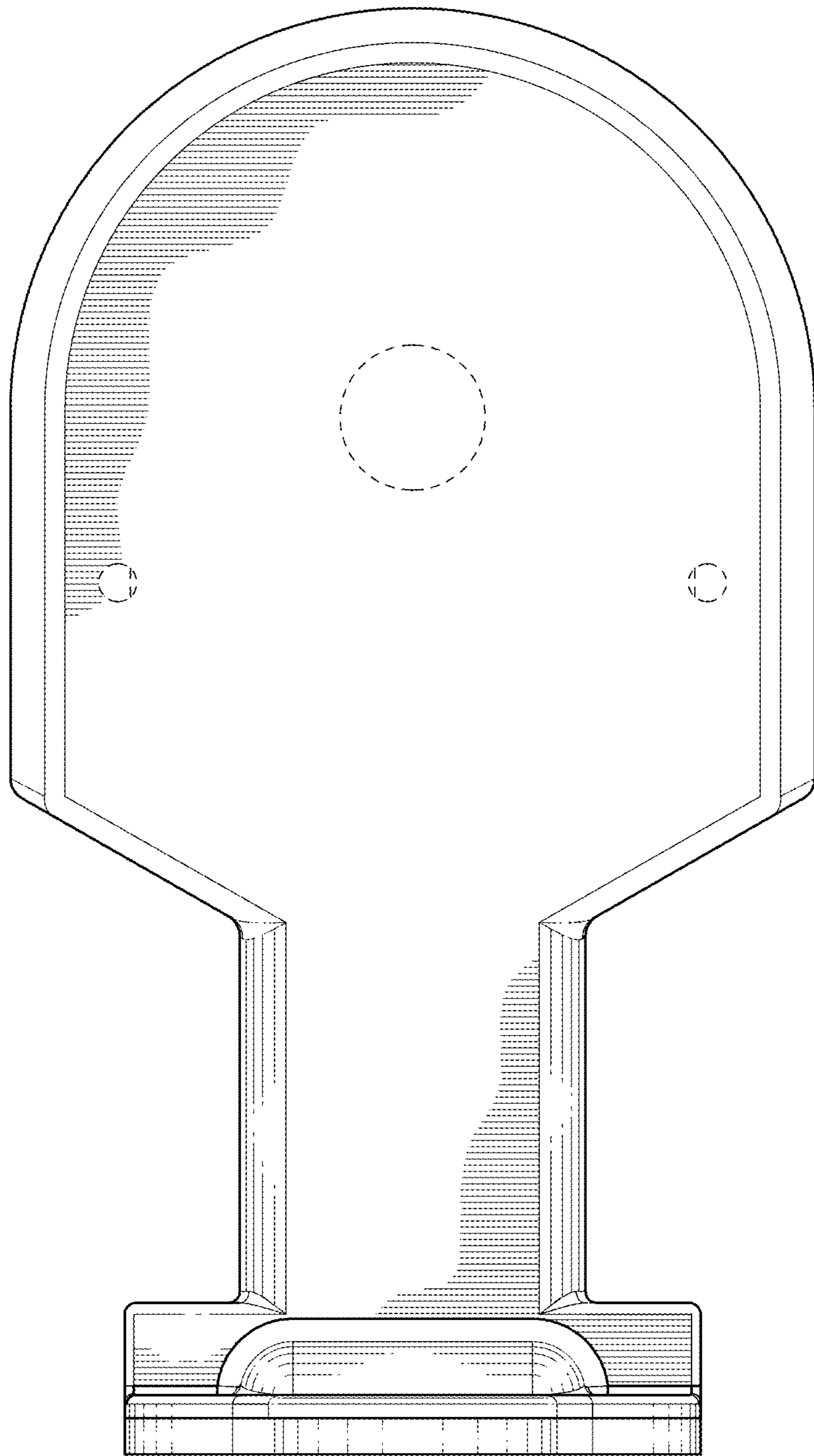


FIG. 6