



US00D971118S

(12) **United States Design Patent** (10) **Patent No.:** **US D971,118 S**
Pelini (45) **Date of Patent:** **** *Nov. 29, 2022**

(54) **SELECTABLE SEAL DECK PLUG HAVING TWO DIFFERENT O-RING GROOVES**

(71) Applicant: **Steven Pelini**, Riverview, FL (US)

(72) Inventor: **Steven Pelini**, Riverview, FL (US)

(*) Notice: This patent is subject to a terminal disclaimer.

(**) Term: **15 Years**

(21) Appl. No.: **29/686,993**

(22) Filed: **Apr. 9, 2019**

Related U.S. Application Data

(63) Continuation-in-part of application No. 29/573,809, filed on Aug. 10, 2016, now abandoned.

(51) **LOC (13) Cl.** **12-06**

(52) **U.S. Cl.**
USPC **D12/317**

(58) **Field of Classification Search**
USPC D12/317; D23/260, 261
CPC B67C 2011/20; B63B 17/00; B65D 41/02;
B65D 41/023; B65D 41/005
See application file for complete search history.

(56) **References Cited**

U.S. PATENT DOCUMENTS

2,326,340	A *	8/1943	Drummer	B65D 49/02 215/21
2,549,404	A *	4/1951	Williams	B65D 51/28 220/521
2,872,060	A *	2/1959	Brune	B65D 39/04 215/364
3,295,712	A *	1/1967	Peterson	B65D 39/12 220/238
3,812,810	A *	5/1974	Moeller	B63B 13/00 220/375
4,807,415	A *	2/1989	Oak	E04B 1/72 52/514

D351,013	S *	9/1994	Mathison	D23/200
D351,898	S *	10/1994	Stowers, Jr.	D23/260
D412,850	S *	8/1999	Gale	D9/439
6,035,702	A *	3/2000	Graham	B63B 13/00 73/49.8
6,237,639	B1 *	5/2001	Jougla	B63B 13/00 114/345
6,390,007	B1 *	5/2002	Walker	B63B 13/02 220/375

(Continued)

OTHER PUBLICATIONS

10PK 1/2" Pex End Plug, Date first available on Amazon May 13, 2009 [online], [site visited May 18, 2022]. Available from Internet: <URL: <https://www.amazon.com/Watts-Water-Technologies-WP27P-08PB-10PK/dp/B0029T78GO>> (Year: 2009).*

Primary Examiner — Cynthia M. Chin

(74) *Attorney, Agent, or Firm* — Edward P. Dutkiewicz

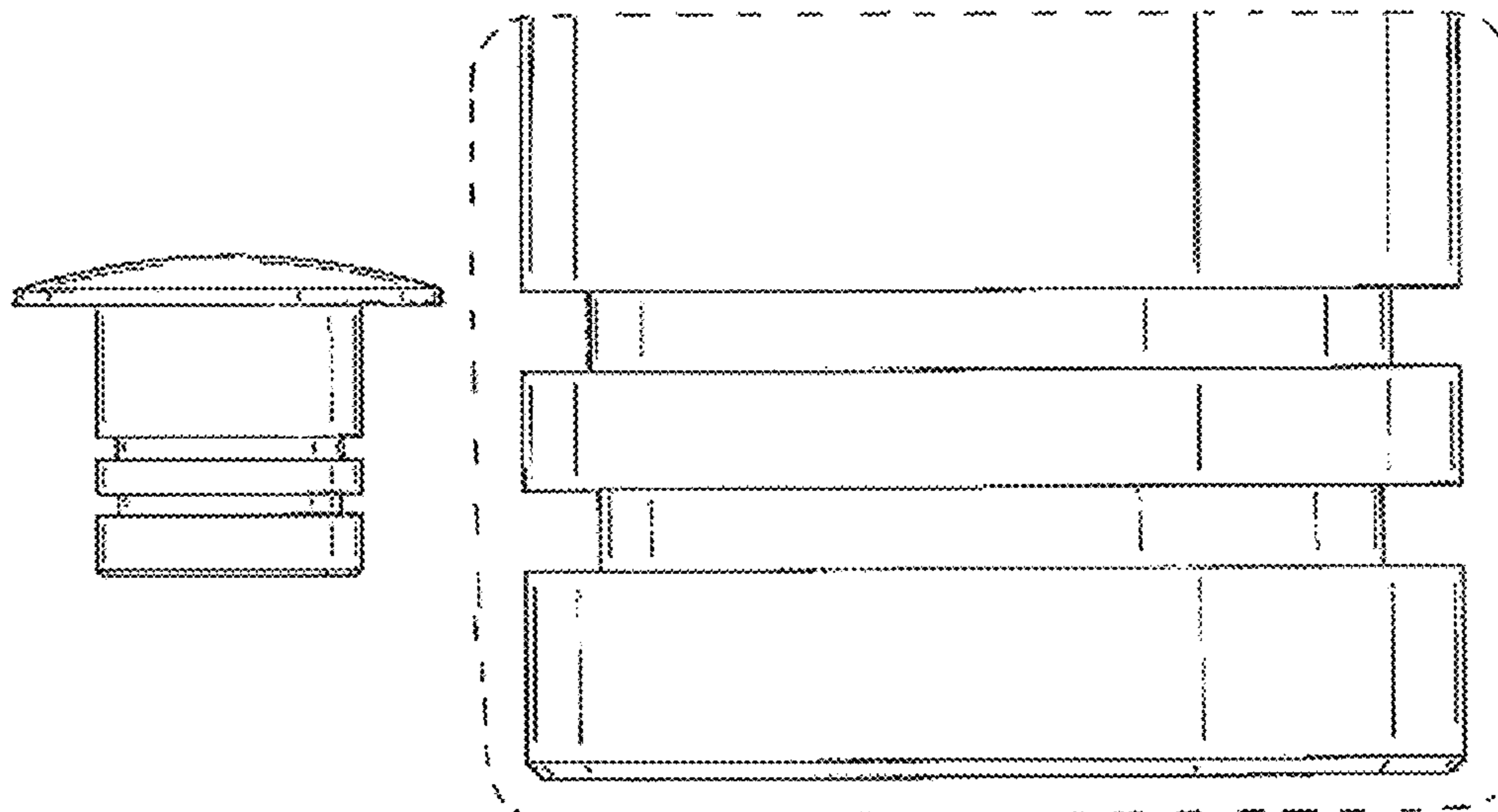
(57) **CLAIM**

The ornamental design for a selectable seal deck plug having two different o-ring grooved, as shown and described.

DESCRIPTION

FIG. 1 is a side elevational view of the selectable seal deck plug having two different o-ring grooves showing, my new design. All side views are identical; FIG. 2 is a close up, enlarged view of the lower portion, partial side elevational view, of the deck plug, showing the different o-ring groove depths. FIG. 3 is a top plan view; FIG. 4 is a bottom plan view of my claimed design; and, FIG. 5 is top perspective view of the selectable seal deck plug having two different o-ring grooves. The broken lines represent the boundaries of the enlarged partial view of FIG. 2 and forms no part of the claimed design.

1 Claim, 3 Drawing Sheets



(56)

References Cited

U.S. PATENT DOCUMENTS

D489,979	S *	5/2004	Le Bourg	D9/439
6,736,081	B1 *	5/2004	Green	B63B 13/02 114/183 R
D528,192	S *	9/2006	Nicholson	D23/260
D553,717	S *	10/2007	Nicholson	D23/260
7,699,012	B2 *	4/2010	Cotten	B63B 17/0018 114/227
D617,427	S *	6/2010	McNamara	D23/261
D627,490	S *	11/2010	Janish	D8/382
D651,709	S *	1/2012	Zeyfang	D24/127
D658,478	S *	5/2012	Wall	D8/399
D684,942	S *	6/2013	Zelazowski	G02C 9/00 D13/183
D700,682	S *	3/2014	Bayyouk	D23/233
D715,145	S *	10/2014	Yamagishi	D23/262
9,115,822	B2 *	8/2015	Gray, Jr.	F16K 31/465
D789,187	S *	6/2017	Vitou	D8/382
D799,939	S *	10/2017	Lowitz	D8/382
D800,538	S *	10/2017	Lowitz	D8/382
D873,970	S *	1/2020	Park	D23/262
D910,820	S *	2/2021	Grassl	D23/269
D916,248	S *	4/2021	Pettengill	D23/260
11,142,959	B2 *	10/2021	Schroder	E21B 10/5735
D941,456	S *	1/2022	Rahimi	D23/393

* cited by examiner

FIG. 1

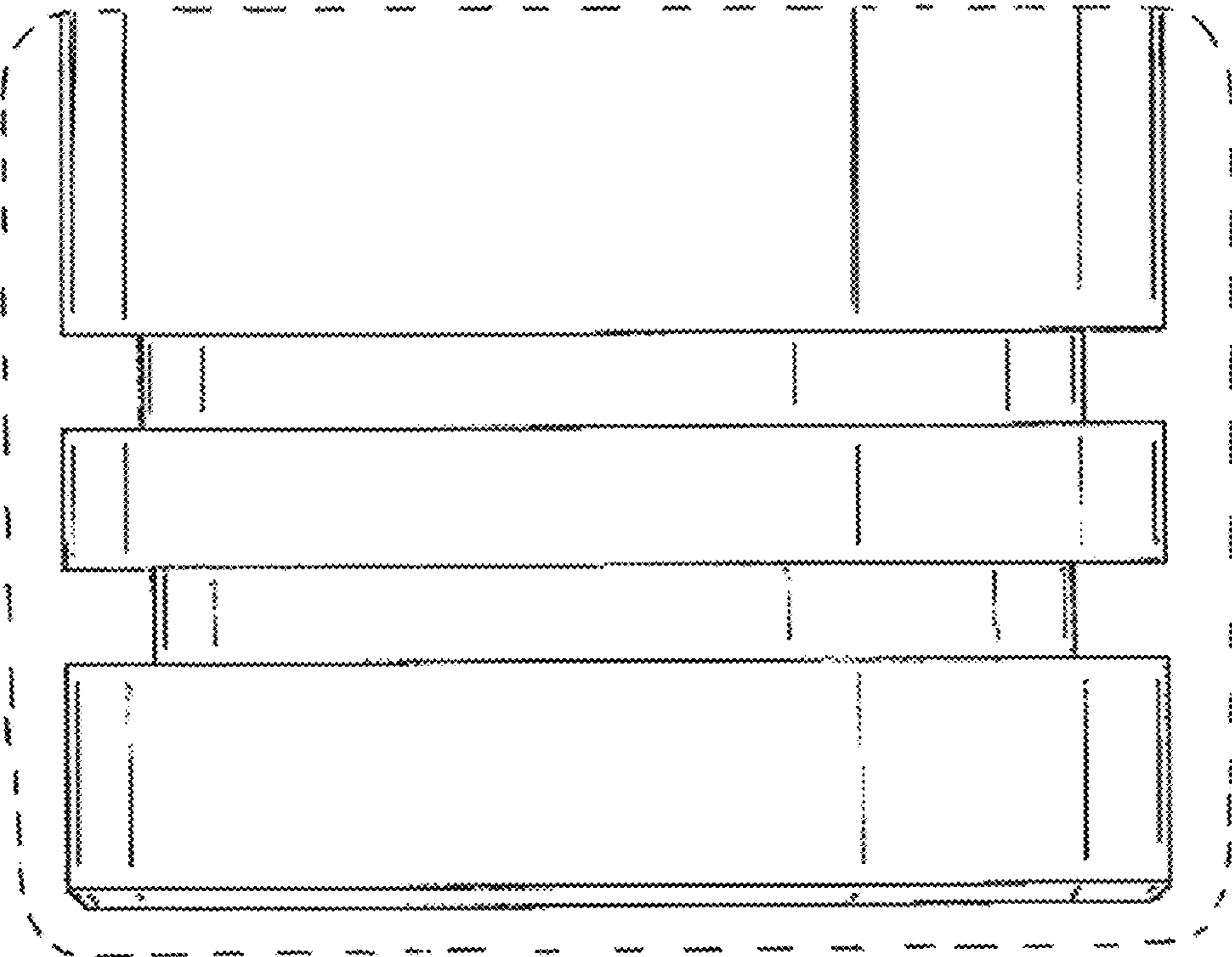
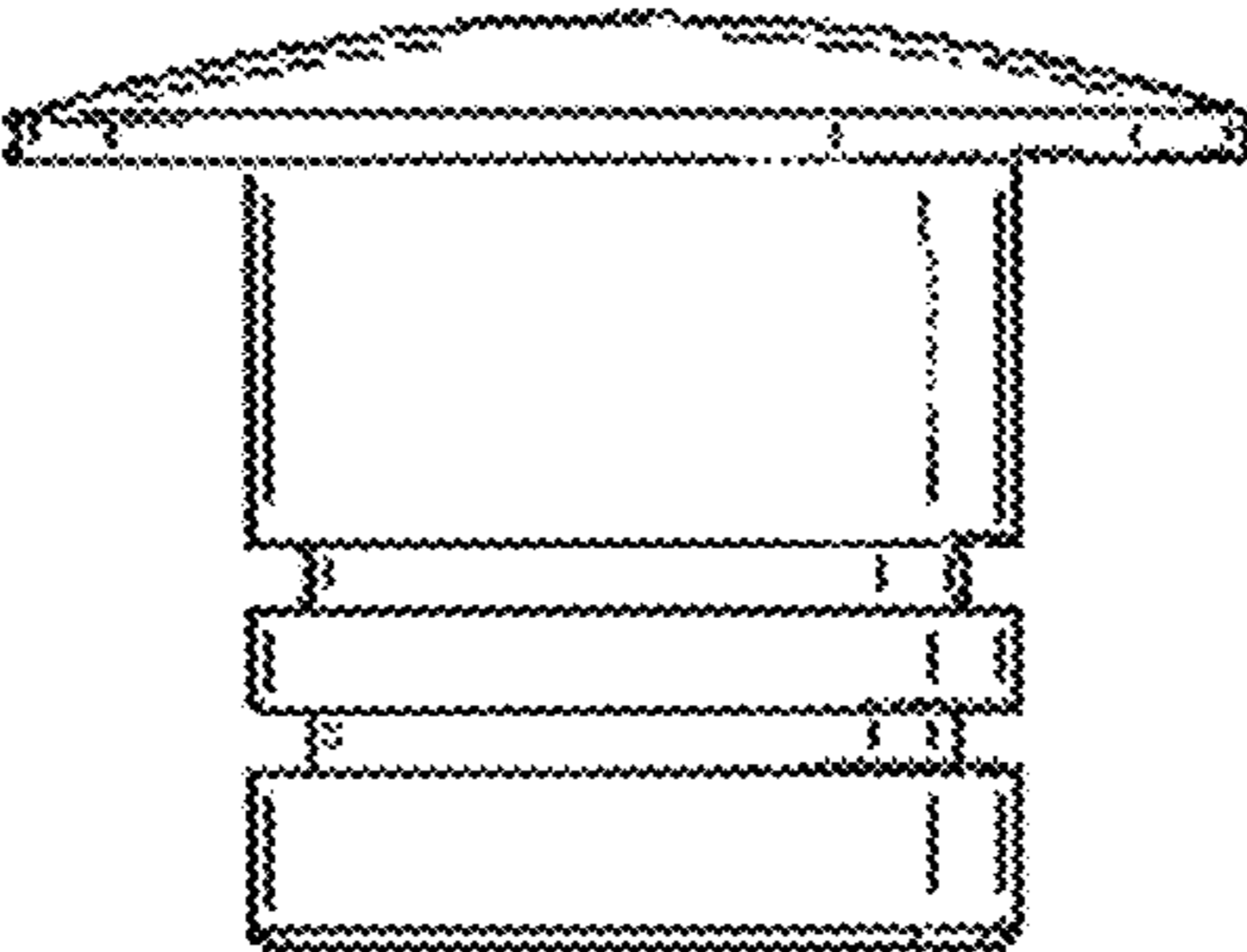


FIG. 2

FIG. 3

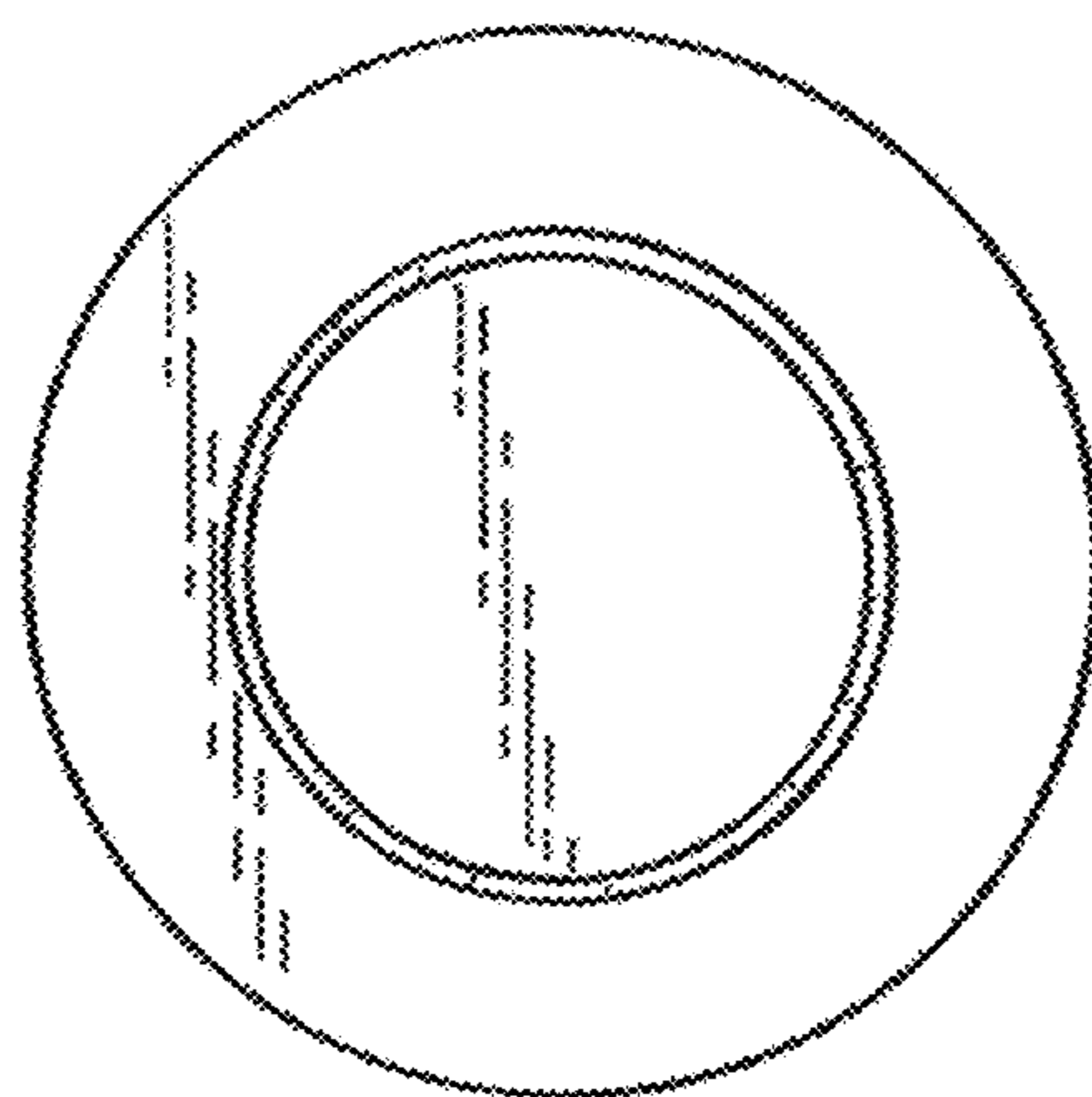
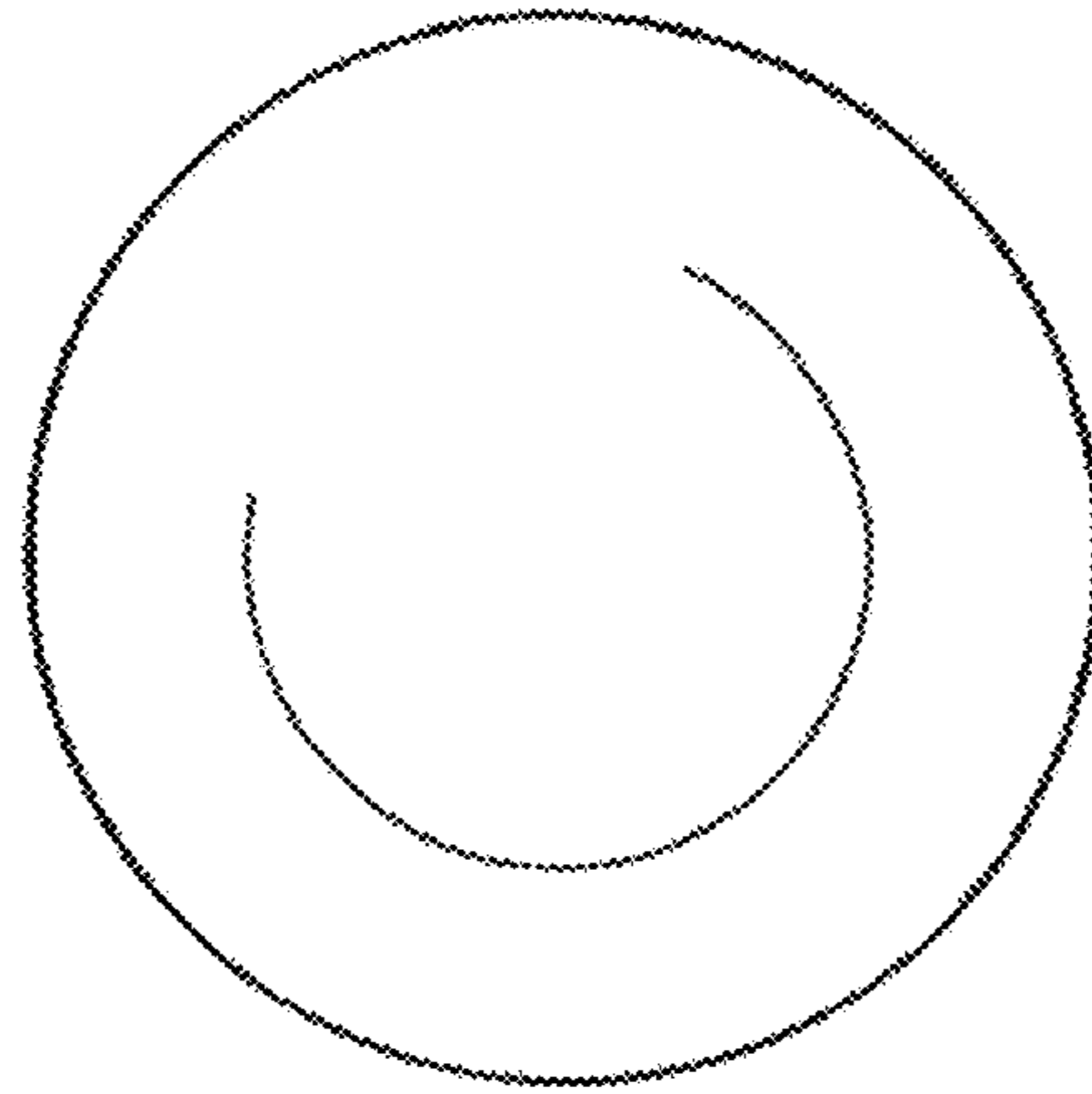


FIG. 4

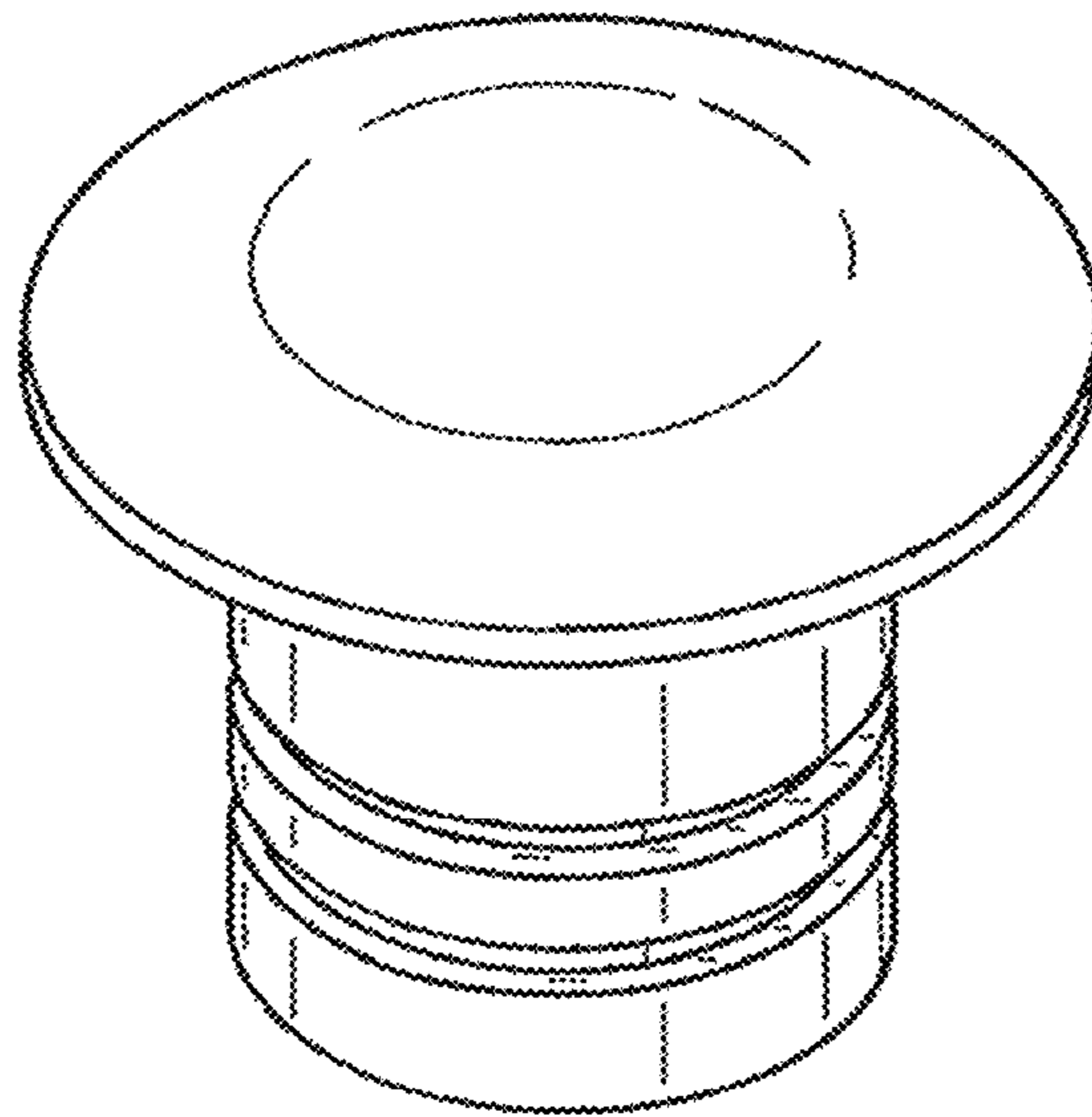


FIG. 5