

US00D971117S

(12) **United States Design Patent** (10) **Patent No.:** **US D971,117 S**
Kamsvåg (45) **Date of Patent:** **** Nov. 29, 2022**

(54) **SHIP** D717,712 S * 11/2014 Teige D12/300
D738,284 S * 9/2015 Okuyama D12/300
(71) Applicant: **Ulstein Design & Solutions AS,** D742,803 S * 11/2015 Kamsvåg D12/317
Ulsteinvik (NO) D742,805 S * 11/2015 Kittilsen D12/318
D828,278 S * 9/2018 Mattila D12/300
(72) Inventor: **Øyvind Gjerde Kamsvåg,** Ulsteinvik 10,457,354 B2 * 10/2019 Kamsvåg B63B 39/00
(NO) D920,211 S * 5/2021 Kamsvåg D12/300
D946,488 S * 3/2022 Kamsvåg B63B 39/06
D12/300
(73) Assignee: **Ulstein Design & Solutions AS,** D951,166 S * 5/2022 Kamsvåg D12/300
Ulsteinvik (NO) 2008/0149014 A1 * 6/2008 Kamsvåg B63B 39/06
114/61.27

(**) Term: **15 Years**

FOREIGN PATENT DOCUMENTS

(21) Appl. No.: **35/512,302**

NO 086520 10/2019
NO 086566 1/2020

(22) Filed: **Jul. 13, 2021**

OTHER PUBLICATIONS

(80) **Hague Agreement Data**

Int. Filing Date: **Jul. 13, 2021**
Int. Reg. No.: **DM/215473**
Int. Reg. Date: **Jul. 13, 2021**
Int. Reg. Pub. Date: **Jul. 30, 2021**

Kayla Dowling, New energy-efficient 55m yacht concept inspired by Olivia O, Superyacht Times, Feb. 18, 2021. Retrieved from the internet Jul. 8, 2022 <URL: <https://www.superyachttimes.com/yacht-news/yachts-how-to-save-energy>> (Year: 2021).*

* cited by examiner

(30) **Foreign Application Priority Data**

Jan. 21, 2021 (NO) 20210078

(51) **LOC (13) Cl.** **12-06**

(52) **U.S. Cl.** **D12/300**
USPC

(58) **Field of Classification Search**
USPC D12/300, 315, 317, 318; D15/4
CPC .. B63B 1/06; B63B 1/063; B63B 1/08; B63B
2241/00; B63B 2241/02; B63B 2241/20
See application file for complete search history.

Primary Examiner — Joseph Kukella
(74) *Attorney, Agent, or Firm* — Knobbe, Martens, Olson & Bear, LLP

(57) **CLAIM**

The ornamental design for a ship, as shown and described.

DESCRIPTION

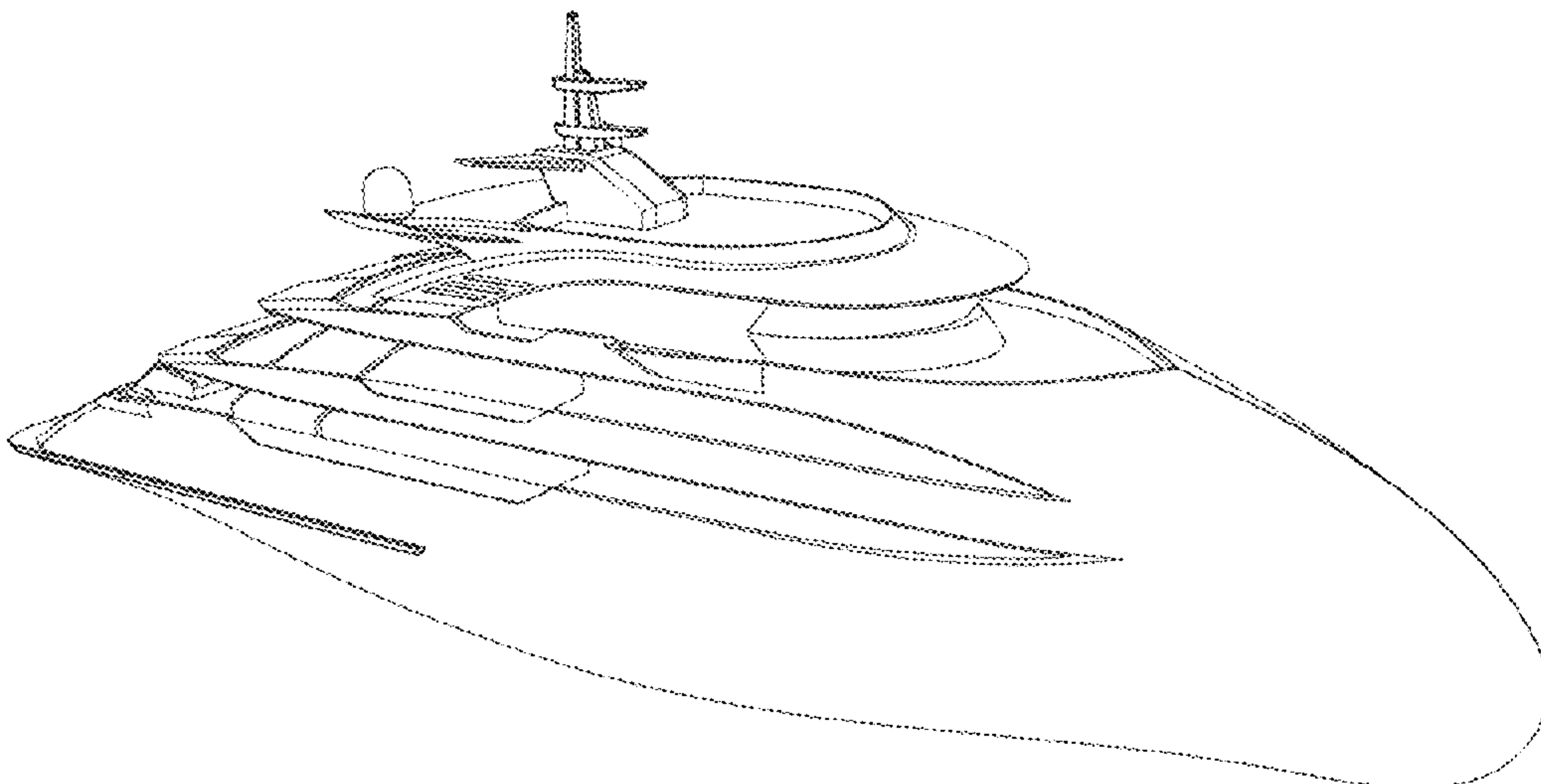
- 1. Ship
- 1.1 : Perspective
- 1.2 : Perspective
- 1.3 : Left
- 1.4 : Right
- 1.5 : Front
- 1.6 : Back
- 1.7 : Top

(56) **References Cited**

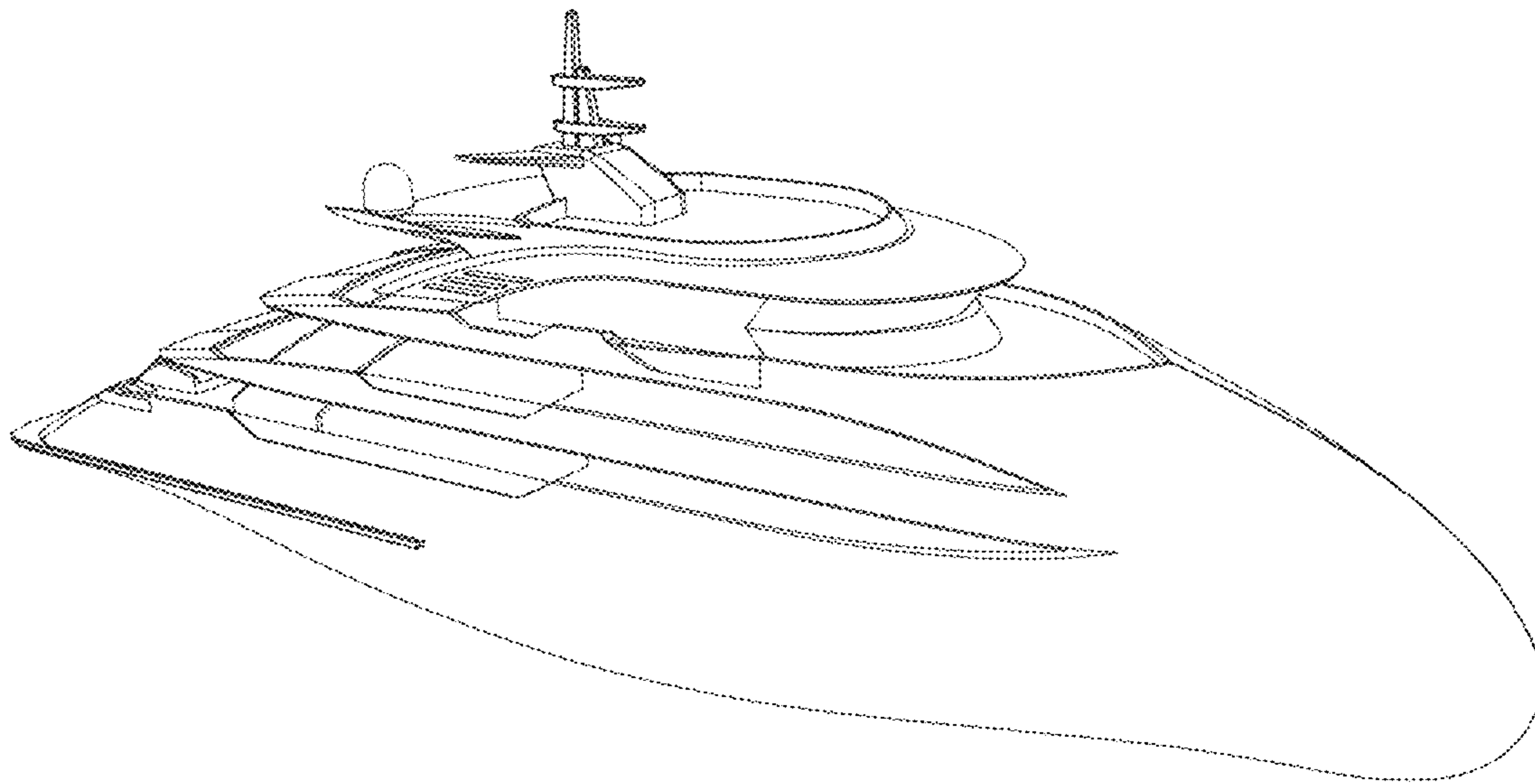
U.S. PATENT DOCUMENTS

D192,713 S * 5/1962 Lowrey B63B 39/00
D12/300
D555,570 S * 11/2007 Kamsvåg D12/300
D657,729 S * 4/2012 Kleven D12/300

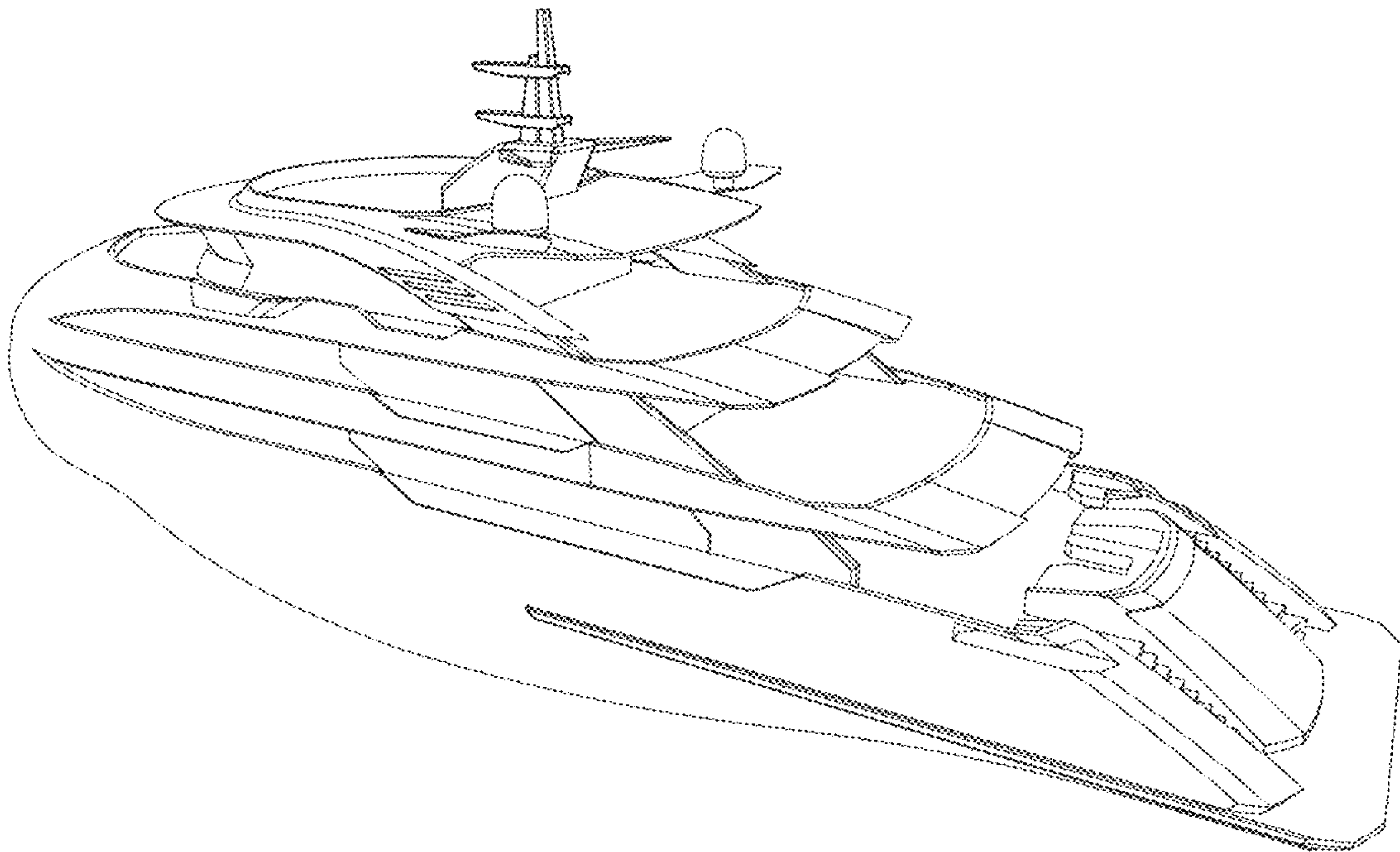
1 Claim, 7 Drawing Sheets



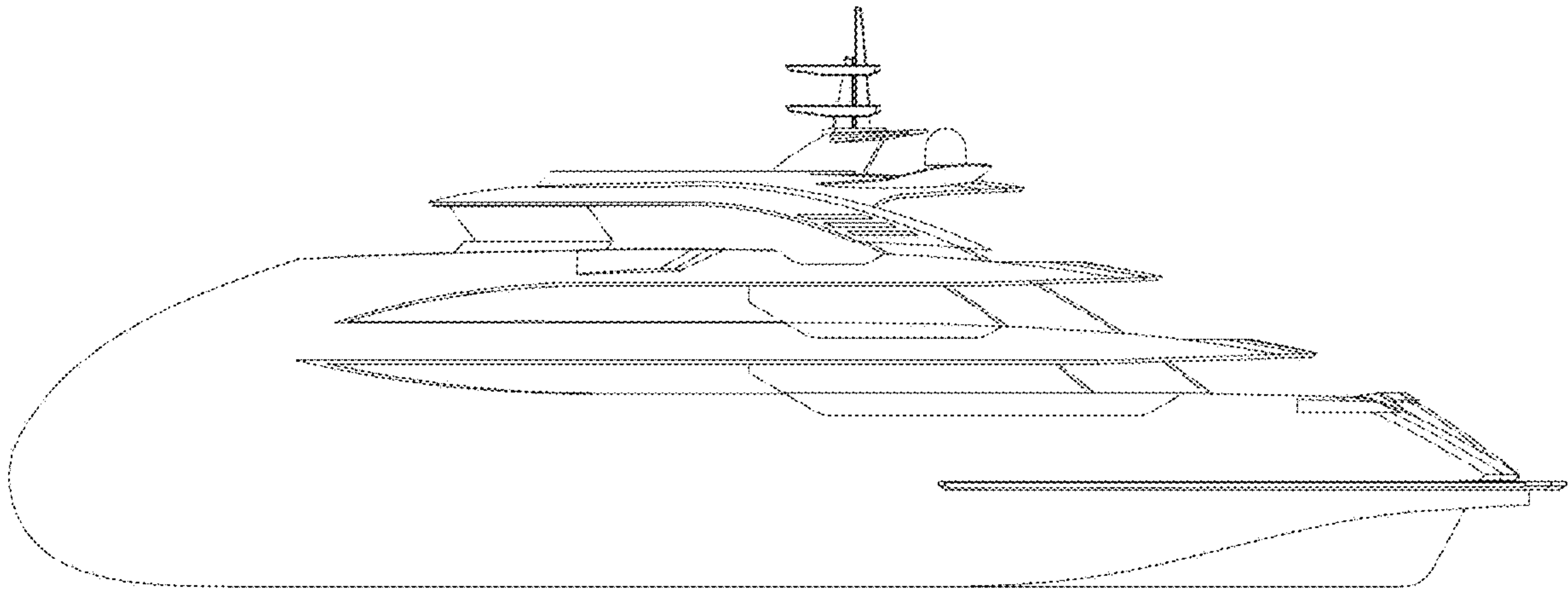
1.1



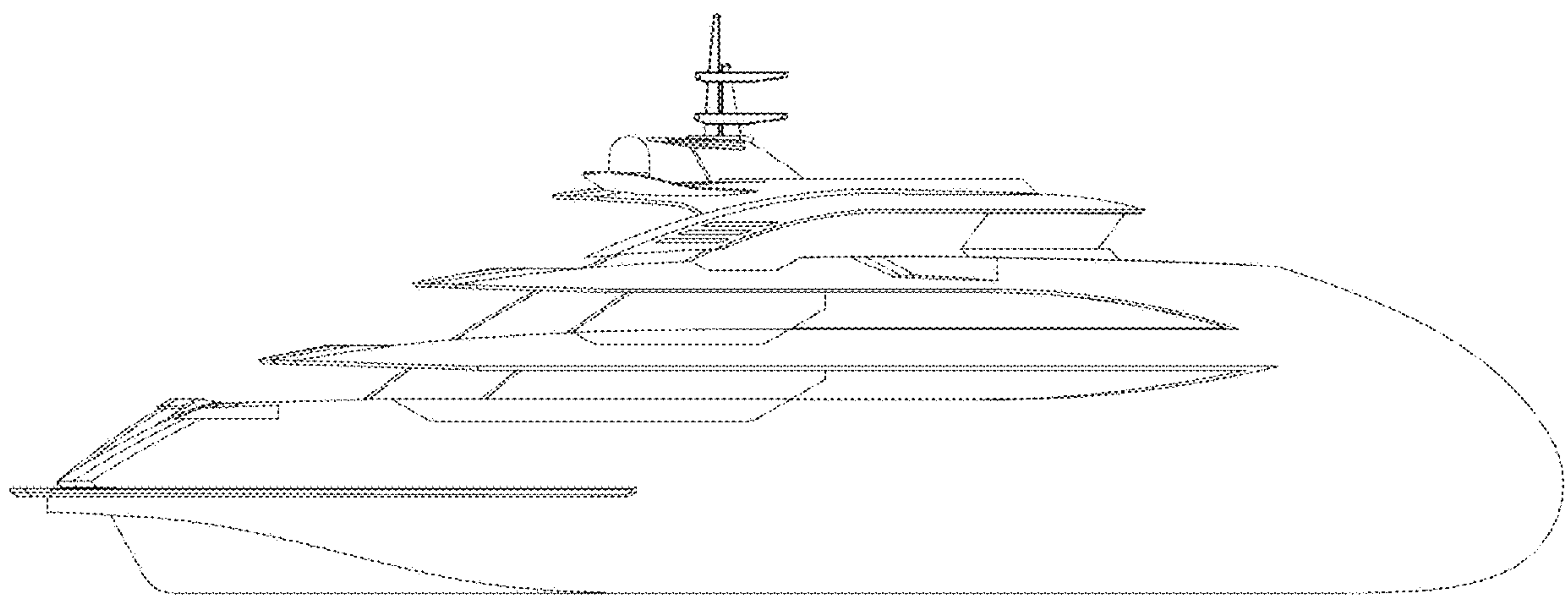
1.2



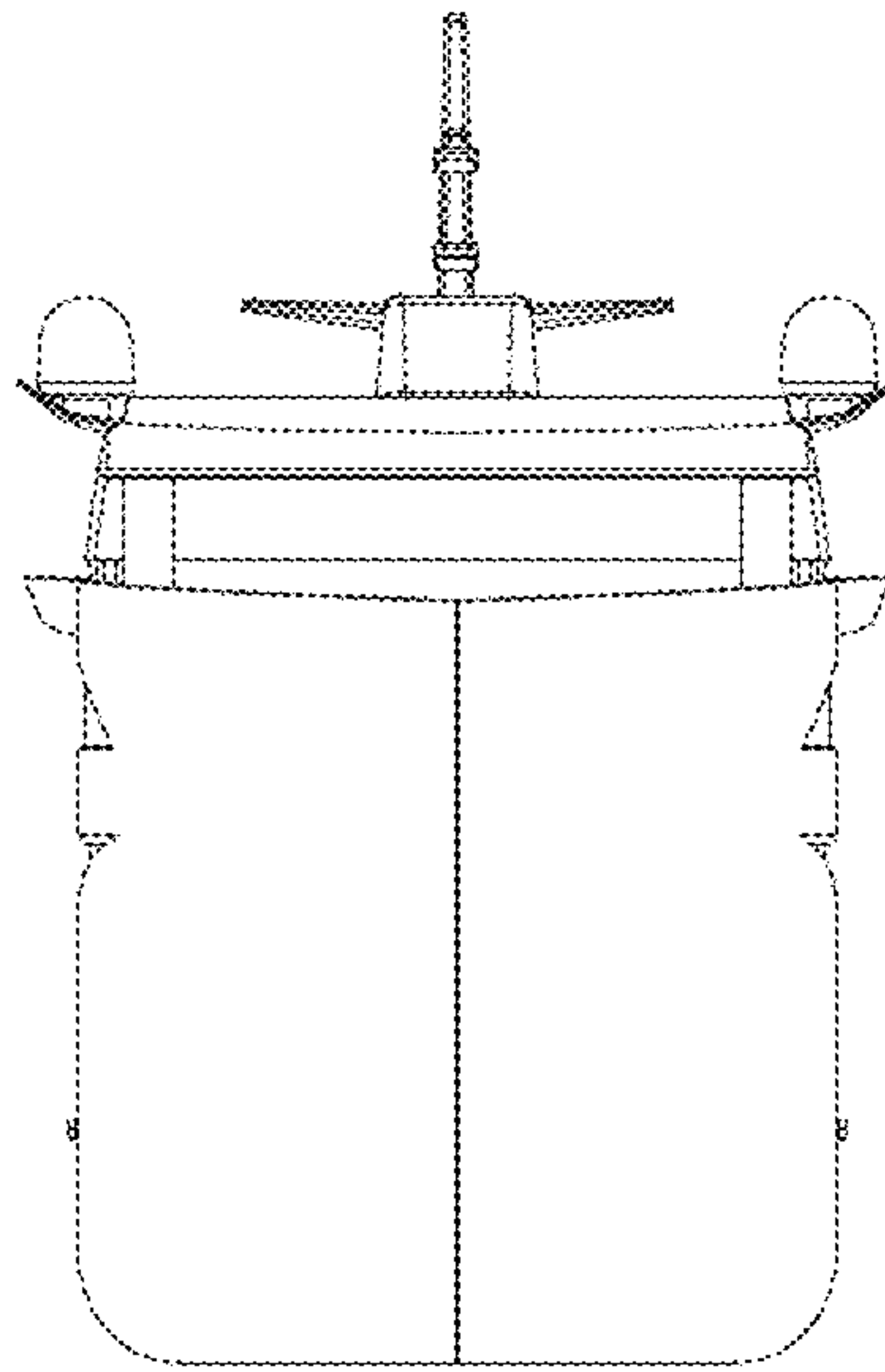
1.3



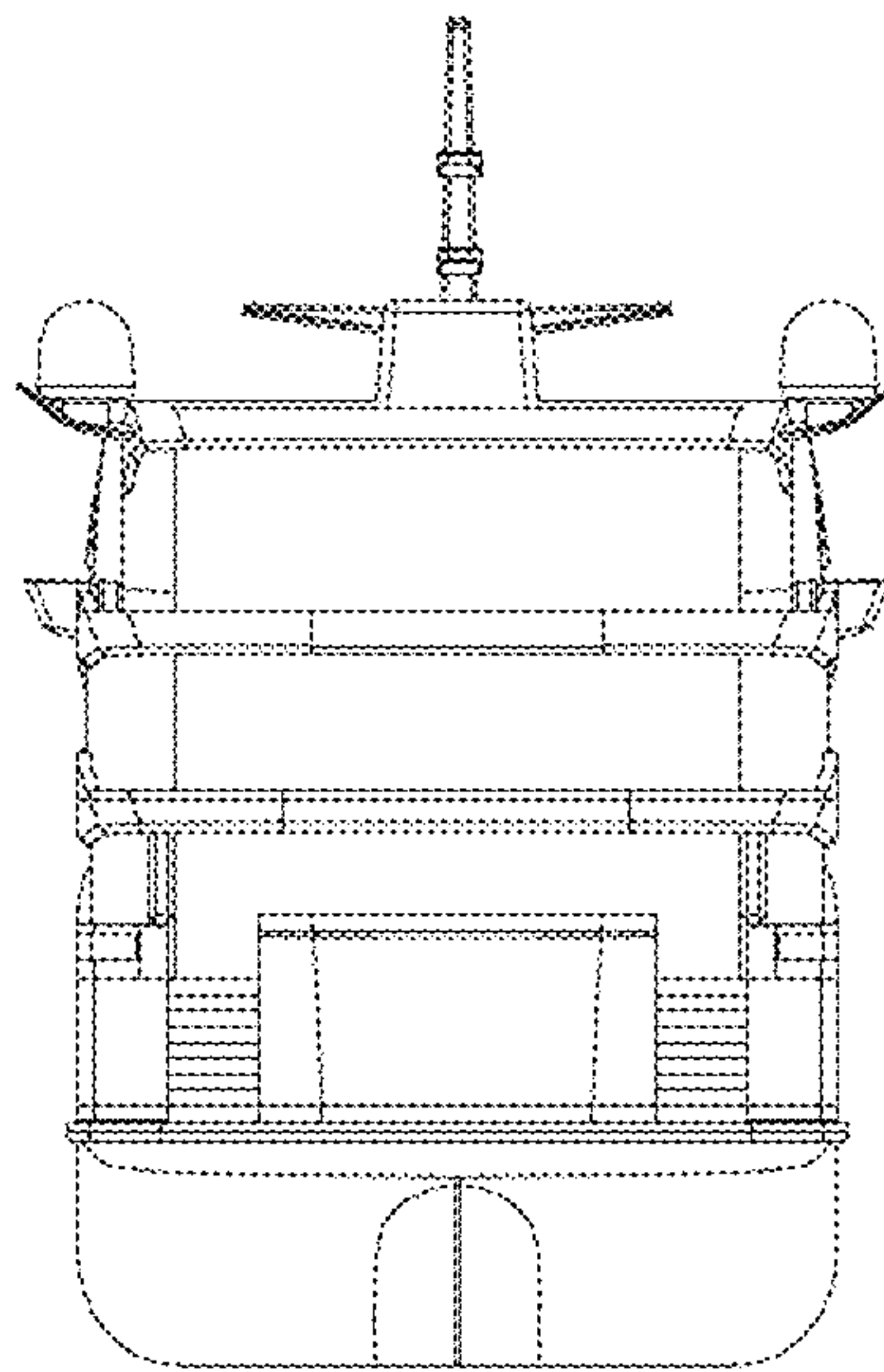
1.4



1.5



1.6



1.7

