



US00D971114S

(12) **United States Design Patent** (10) **Patent No.:** **US D971,114 S**
Arias et al. (45) **Date of Patent:** **** Nov. 29, 2022**

(54) **VEHICLE WHEEL**
(71) Applicants: **Laura Arias**, Troy, MI (US); **Irina Zavatski**, Rochester Hills, MI (US)
(72) Inventors: **Laura Arias**, Troy, MI (US); **Irina Zavatski**, Rochester Hills, MI (US)
(73) Assignee: **FCA US LLC**, Auburn Hills, MI (US)
(**) Term: **15 Years**

D943,484 S * 2/2022 Sempek D12/209
D944,174 S * 2/2022 Swerdloff D12/209
D944,704 S * 3/2022 Anscheidt D12/209
D945,342 S * 3/2022 Sempek D12/209
D945,344 S * 3/2022 Abderrazak D12/209
D945,348 S * 3/2022 Sempek D12/211
D946,484 S * 3/2022 Johnson D12/209
D947,740 S * 4/2022 Bernoni D12/209
D947,741 S * 4/2022 Manzoni D12/209
2022/0080784 A1 * 3/2022 Yoon B60B 21/026
(Continued)

(21) Appl. No.: **29/776,278**

FOREIGN PATENT DOCUMENTS
WO WO-D220241-001 * 4/2022

(22) Filed: **Mar. 29, 2021**

(51) **LOC (13) Cl.** **12-16**

(52) **U.S. Cl.**
USPC **D12/209**

(58) **Field of Classification Search**
USPC D12/204–213; D21/563
CPC B60B 21/00; B60B 21/02; B60B 21/08;
B60B 21/10; B60B 21/12; B60B 21/06;
B60B 23/00

See application file for complete search history.

OTHER PUBLICATIONS
“16x6 820M Twisted Gloss Black Aluminum Trailer Wheel” Trailer Wheels., posted date Oct. 31, 2021 [online], [retrieved on May 5, 2020]. Retrieved from the Internet <URL: https://www.trailer-wheels.com/16x6-820M-Twisted-Gloss-Black-Aluminum-Trailer-Wheel-8x650-820M-66080_p_1670.html#.YnRbqHbMJJaQ> (Year: 2021).*
(Continued)

(56) **References Cited**

U.S. PATENT DOCUMENTS

D455,993 S 4/2002 Ayoub et al.
D782,383 S 3/2017 Owens et al.
D783,496 S 4/2017 Glover et al.
D787,407 S * 5/2017 Chung D12/211
D828,271 S * 9/2018 Han D12/211
D828,878 S * 9/2018 Sprowl D21/563
10,357,993 B2 * 7/2019 Müller B60B 1/08
D860,904 S * 9/2019 Milani D12/209
D860,908 S * 9/2019 Han D12/209
D904,274 S * 12/2020 Sempek D12/211
D926,655 S * 8/2021 Licklitter D12/209
D931,178 S * 9/2021 Podlovits D12/209
D936,549 S * 11/2021 Sempek D12/209
D941,724 S * 1/2022 Sempek D12/209
D941,725 S * 1/2022 Sempek D12/209

Primary Examiner — Darlington Ly
Assistant Examiner — Nasim Abdulaziz Ali
(74) Attorney, Agent, or Firm — Ralph E. Smith

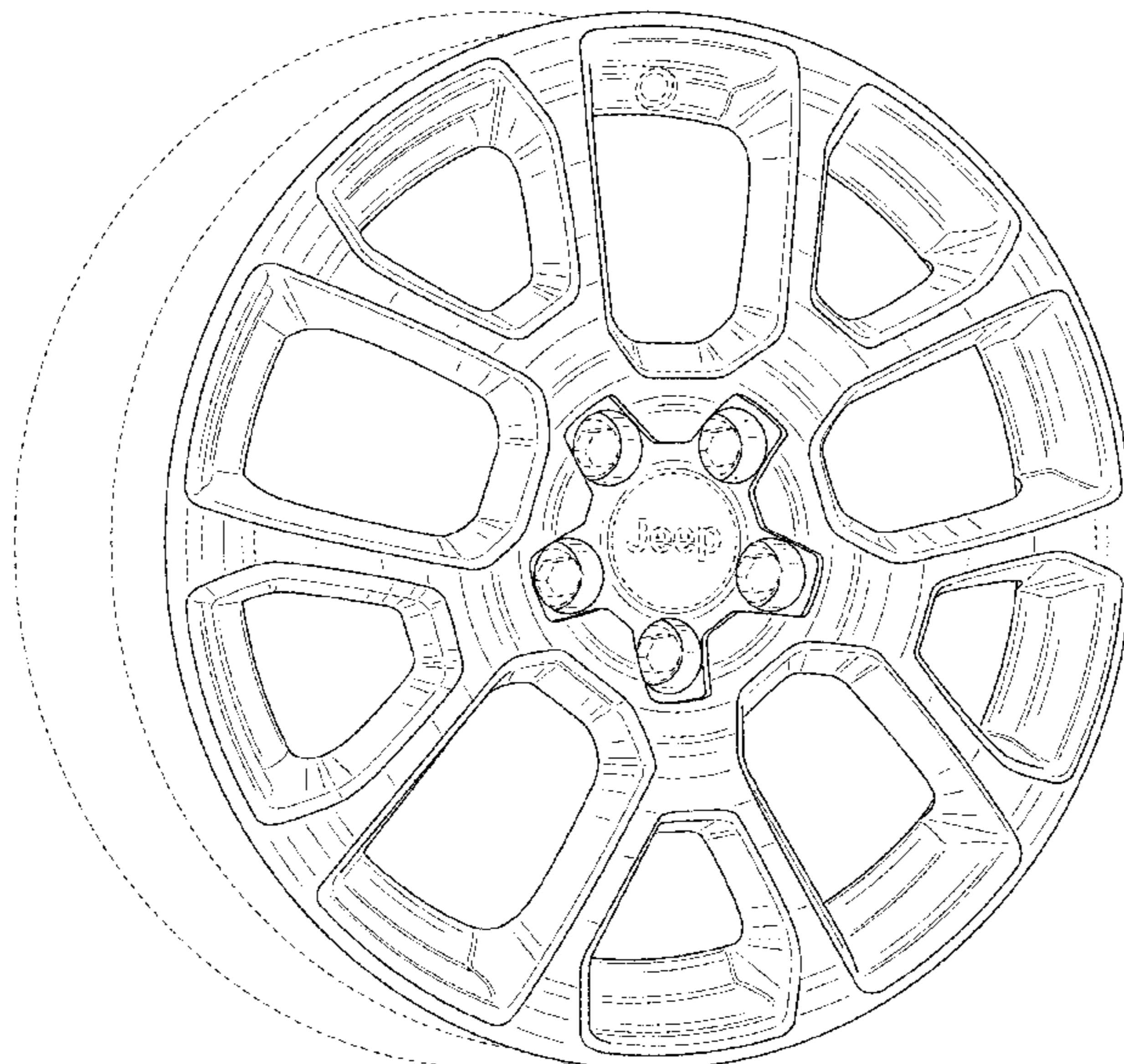
(57) **CLAIM**

The ornamental design for a vehicle wheel, as shown and described.

DESCRIPTION

FIG. 1 is a front elevation view of a vehicle wheel showing our new design;
FIG. 2 is a right side perspective view thereof; and,
FIG. 3 is a left side perspective view thereof.
The broken lines in the drawings illustrate portions of the vehicle wheel that form no part of the claimed design.

1 Claim, 3 Drawing Sheets



(56)

References Cited

U.S. PATENT DOCUMENTS

2022/0118793 A1* 4/2022 Kerkvliet B60B 21/125

OTHER PUBLICATIONS

“Raceline Wheels 944 Outlander” SoCal Custom Wheels., posted date Mar. 20, 2019 [online], [retrieved on May 5, 2020]. Retrieved from the Internet <URL: <https://www.socalcustomwheels.com/944-outlander-gloss-black-6-lug-w-54008.htm>> (Year: 2019).*

“Touren TR60 18 Black Wheel/Rim” Motosport., posted date Oct. 14, 2012 [online], [retrieved on May 5, 2020]. Retrieved from the Internet <URL: https://www.amazon.com/Touren-Black-Offset-Partnumber-3260-8811MB/dp/B009LR2CMM/ref=sr_1_12?keywords=car+wheel+rims&qid=1651791685&sr=8-12> (Year: 2012).*

* cited by examiner

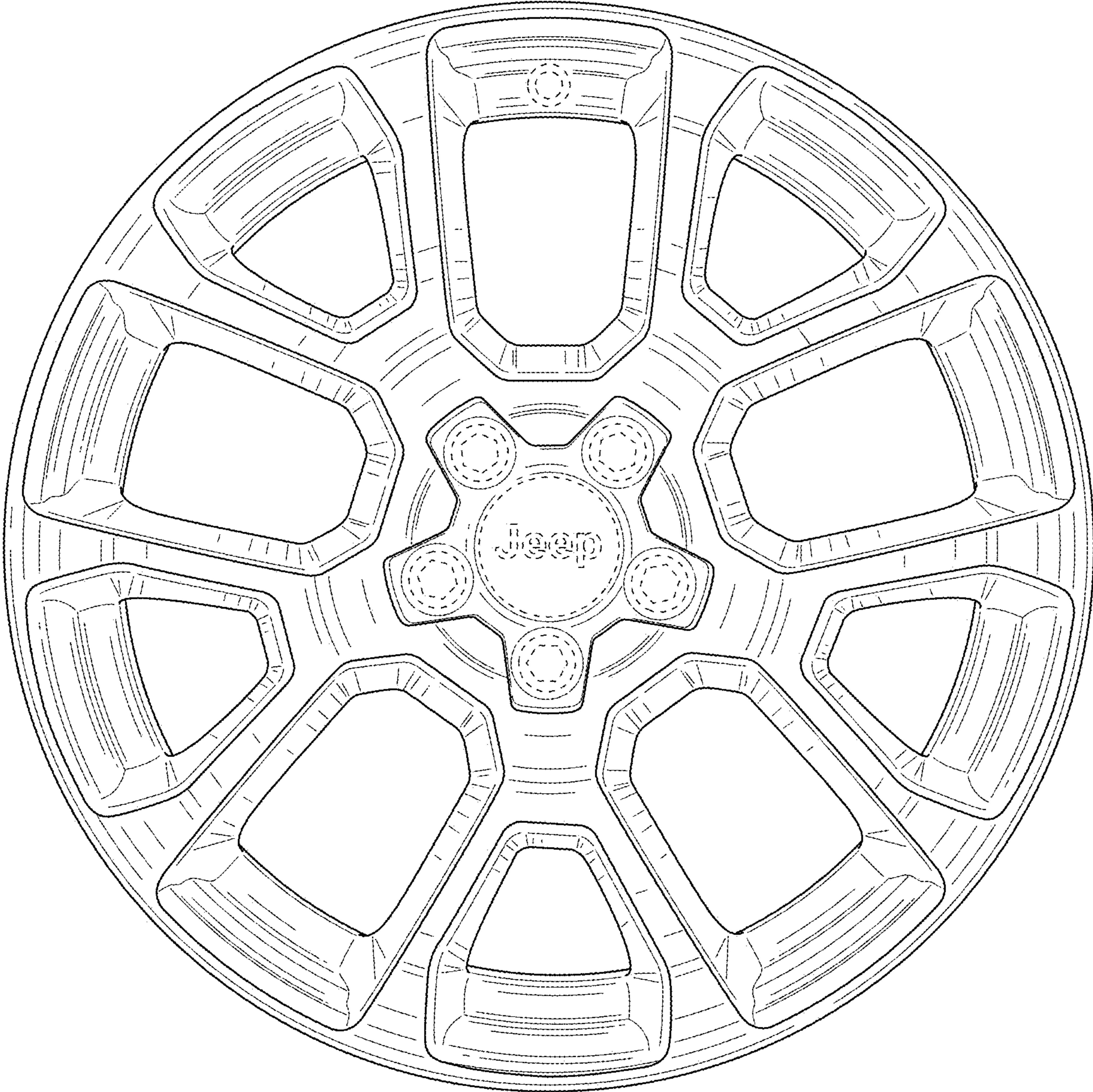


FIG. 1

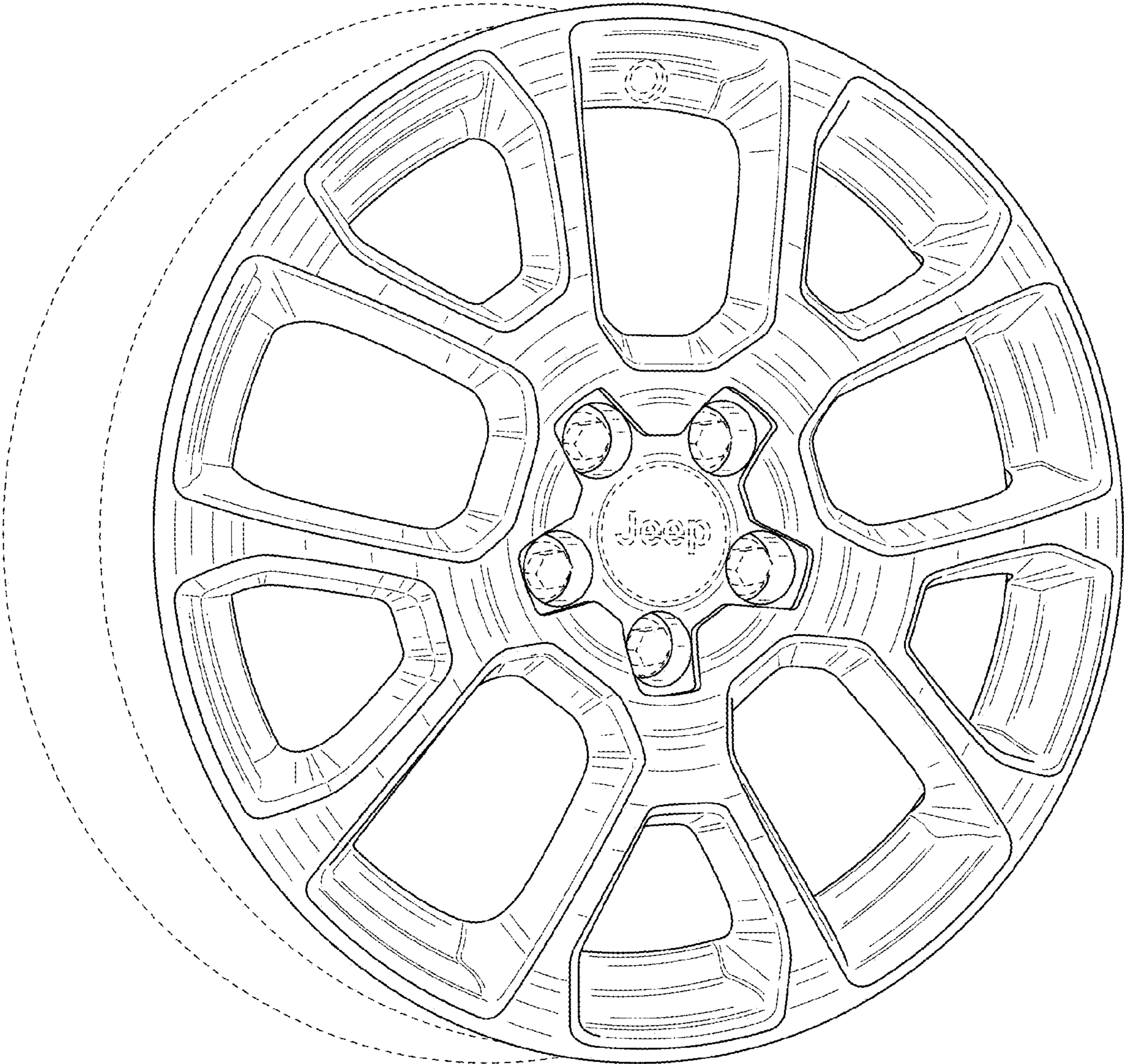


FIG. 2

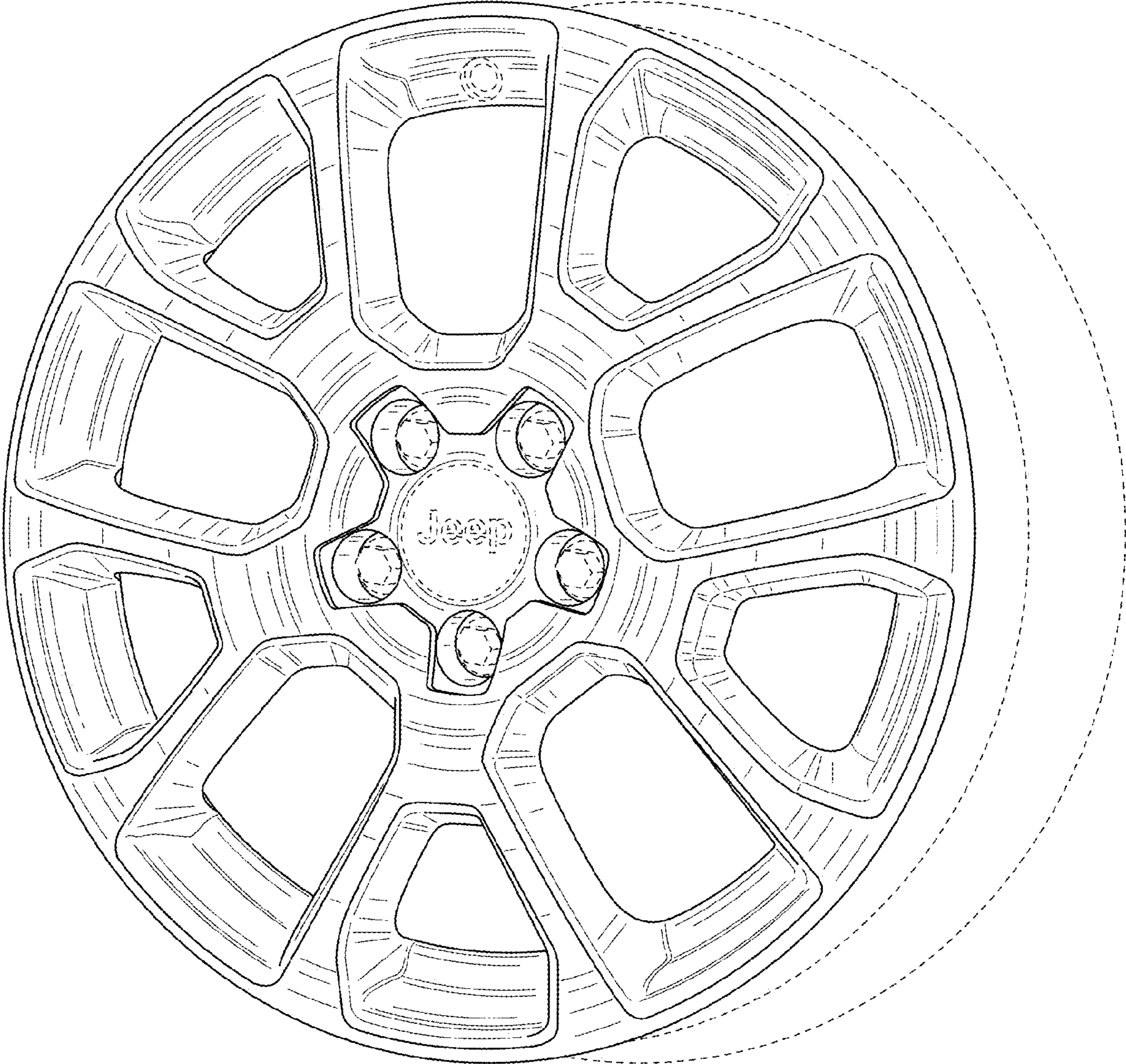


FIG. 3