



US00D971109S

(12) **United States Design Patent**  
**Langhals et al.**

(10) **Patent No.:** **US D971,109 S**

(45) **Date of Patent:** **\*\* Nov. 29, 2022**

(54) **VEHICLE WHEEL**

(71) Applicants: **Taylor Langhals**, Waterford, MI (US);  
**Tome Jovanoski**, Shelby Township, MI (US)

(72) Inventors: **Taylor Langhals**, Waterford, MI (US);  
**Tome Jovanoski**, Shelby Township, MI (US)

(73) Assignee: **FCA US LLC**, Auburn Hills, MI (US)

(\*\*) Term: **15 Years**

(21) Appl. No.: **29/773,315**

(22) Filed: **Mar. 9, 2021**

(51) **LOC (13) Cl.** ..... **12-16**

(52) **U.S. Cl.**  
USPC ..... **D12/209**

(58) **Field of Classification Search**  
USPC ..... D12/204–213; D21/563  
CPC ..... B60B 21/00; B60B 21/02; B60B 21/08;  
B60B 21/10; B60B 21/12; B60B 21/06;  
B60B 23/00  
See application file for complete search history.

(56) **References Cited**

**U.S. PATENT DOCUMENTS**

D787,407 S *	5/2017	Chung	.....	D12/211
D794,530 S	8/2017	Langhals et al.		
D828,271 S *	9/2018	Han	.....	D12/211
D828,878 S *	9/2018	Sprowl	.....	D21/563
10,357,993 B2 *	7/2019	Müller	.....	B60B 1/08
D860,904 S *	9/2019	Milani	.....	D12/209
D860,908 S *	9/2019	Han	.....	D12/209
D904,274 S *	12/2020	Sempek	.....	D12/211
D926,655 S *	8/2021	Licklitter	.....	D12/209
D931,178 S *	9/2021	Podlovits	.....	D12/209
D936,549 S *	11/2021	Sempek	.....	D12/209
D941,724 S *	1/2022	Sempek	.....	D12/209
D941,725 S *	1/2022	Sempek	.....	D12/209

D943,484 S *	2/2022	Sempek	.....	D12/209
D944,174 S *	2/2022	Swerdloff	.....	D12/209
D944,704 S *	3/2022	Anscheidt	.....	D12/209
D945,342 S *	3/2022	Sempek	.....	D12/209
D945,344 S *	3/2022	Abderrazak	.....	D12/209
D945,348 S *	3/2022	Sempek	.....	D12/211
D946,484 S *	3/2022	Johnson	.....	D12/209
D947,740 S *	4/2022	Bernoni	.....	D12/209
D947,741 S *	4/2022	Manzoni	.....	D12/209
2022/0080784 A1 *	3/2022	Yoon	.....	B60B 21/026

(Continued)

**FOREIGN PATENT DOCUMENTS**

WO WO-D220241-001 \* 4/2022

**OTHER PUBLICATIONS**

“16x6 820M Twisted Gloss Black Aluminum Trailer Wheel” Trailer Wheels., posted date Oct. 31, 2021 [online], [retrieved on May 5, 2020]. Retrieved from the Internet <URL: [https://www.trailer-wheels.com/16x6-820M-Twisted-Gloss-Black-Aluminum-Trailer-Wheel-8x650-820M-66080\\_p\\_1670.html#.YnRbqHbMJJaQ](https://www.trailer-wheels.com/16x6-820M-Twisted-Gloss-Black-Aluminum-Trailer-Wheel-8x650-820M-66080_p_1670.html#.YnRbqHbMJJaQ)> (Year: 2021).\*

(Continued)

*Primary Examiner* — Darlington Ly  
*Assistant Examiner* — Nasim Abdulaziz Ali  
(74) *Attorney, Agent, or Firm* — Ralph E. Smith

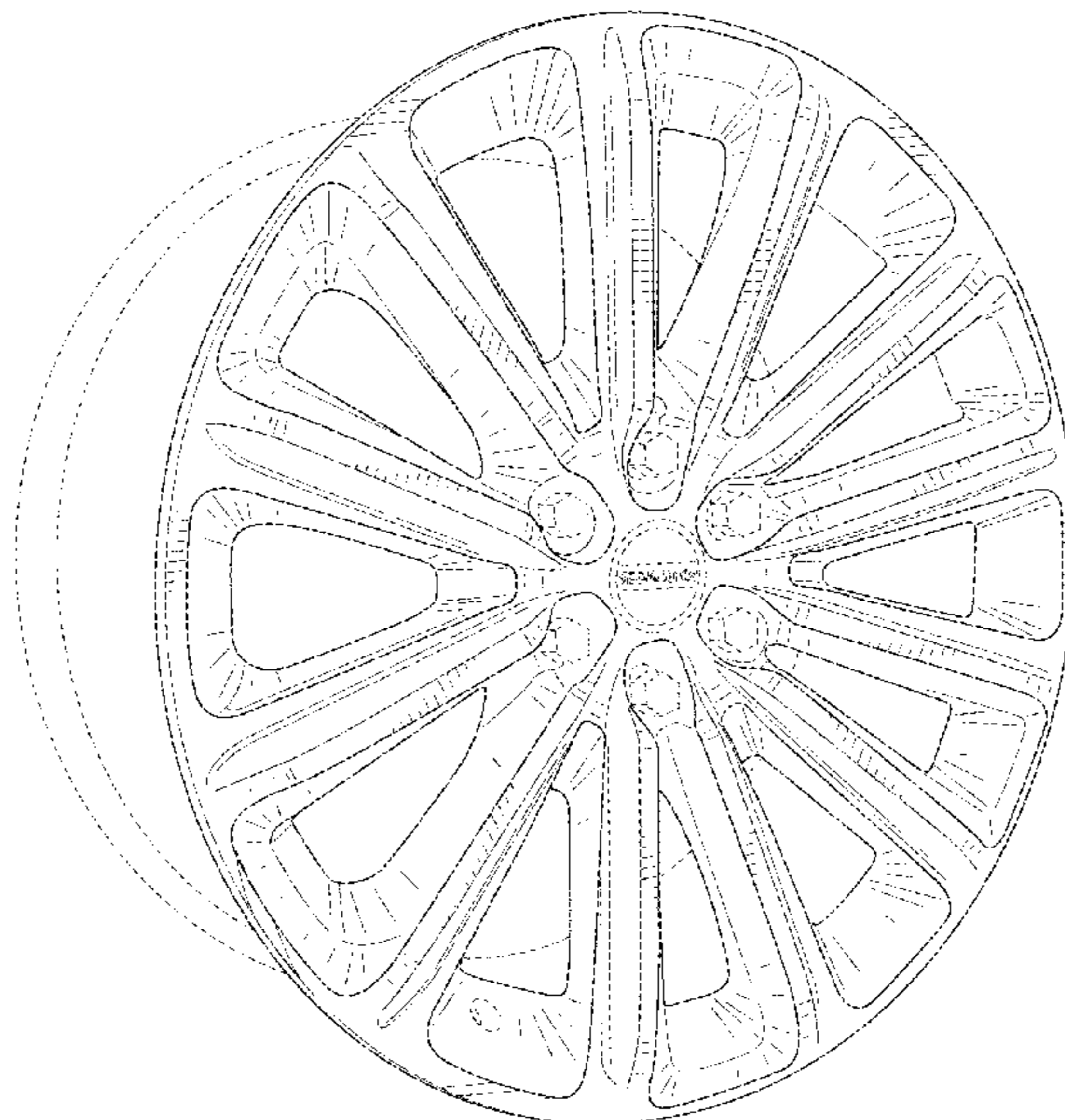
(57) **CLAIM**

The ornamental design for a vehicle wheel, as shown and described.

**DESCRIPTION**

FIG. 1 is a left side perspective view of a vehicle wheel showing our new design; FIG. 2 is a right side perspective view thereof; and, FIG. 3 is a front elevation view thereof. The broken lines in the drawings illustrate portions of the vehicle wheel that form no part of the claimed design.

**1 Claim, 3 Drawing Sheets**



(56)

**References Cited**

U.S. PATENT DOCUMENTS

2022/0118793 A1\* 4/2022 Kerkvliet ..... B60B 21/125

OTHER PUBLICATIONS

“Raceline Wheels 944 Outlander” SoCal Custom Wheels., posted date Mar. 20, 2019 [online], [retrieved on May 5, 2020]. Retrieved from the Internet <URL: <https://www.socalcustomwheels.com/944-outlander-gloss-black-6-lug-w-54008.htm>> (Year: 2019).\*

“Touren TR60 18 Black Wheel/Rim” Motosport., posted date Oct. 14, 2012 [online], [retrieved on May 5, 2020]. Retrieved from the Internet <URL: [https://www.amazon.com/Touren-Black-Offset-Partnumber-3260-8811MB/dp/B009LR2CMM/ref=sr\\_1\\_12?keywords=car+wheel+rims&qid=1651791685&sr=8-12](https://www.amazon.com/Touren-Black-Offset-Partnumber-3260-8811MB/dp/B009LR2CMM/ref=sr_1_12?keywords=car+wheel+rims&qid=1651791685&sr=8-12)> (Year: 2012).\*

\* cited by examiner

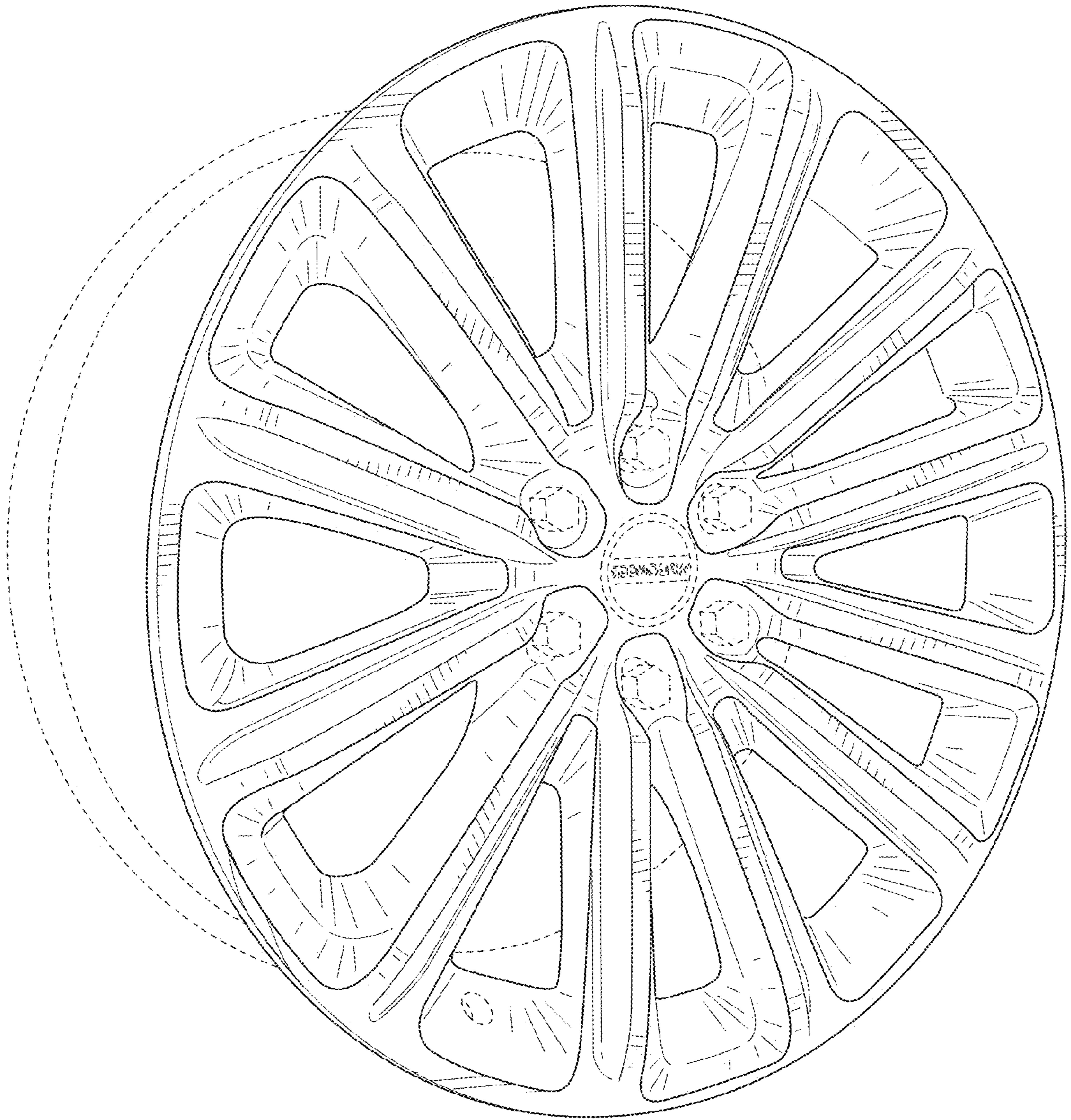


FIG. 1

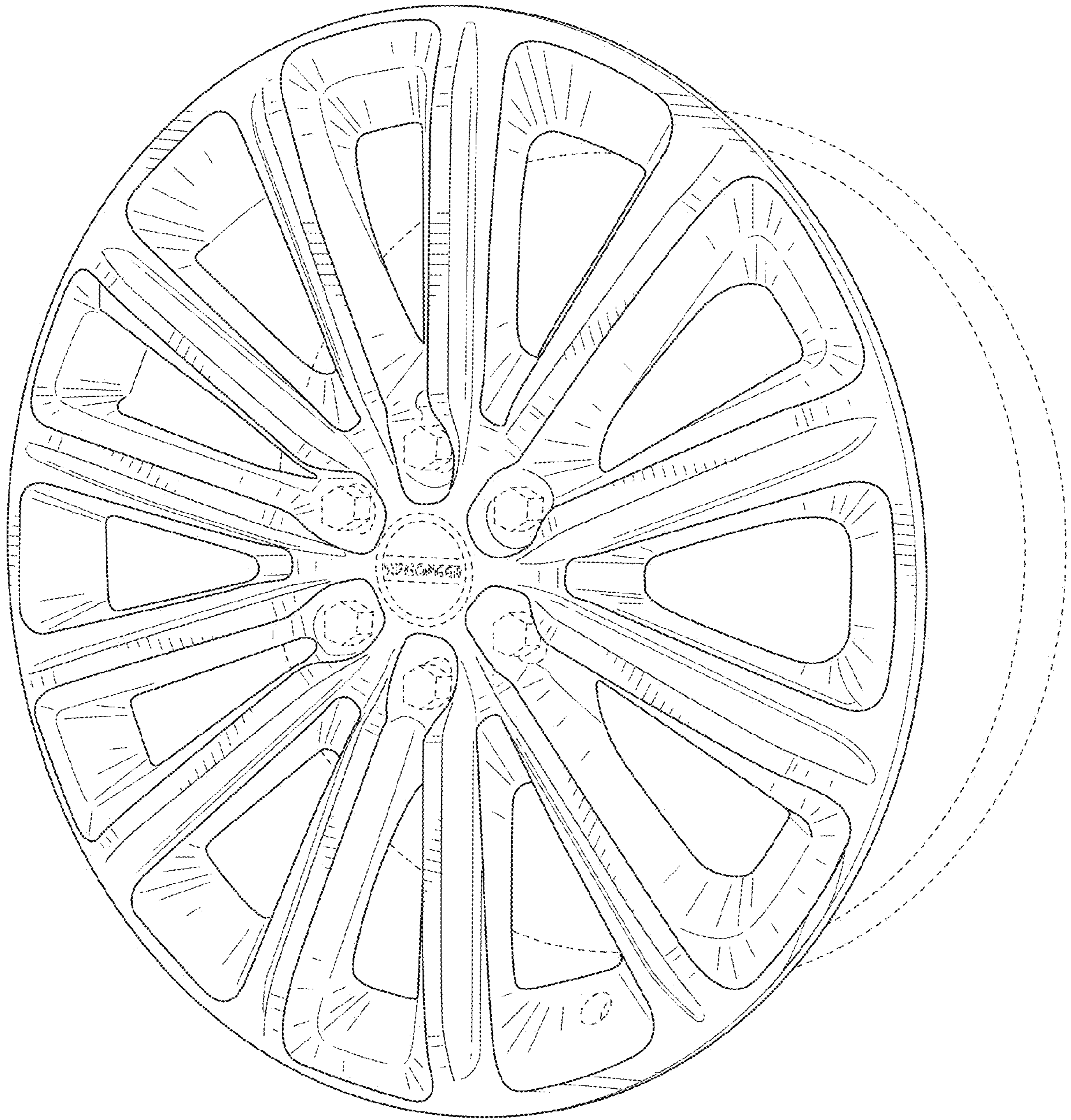


FIG. 2

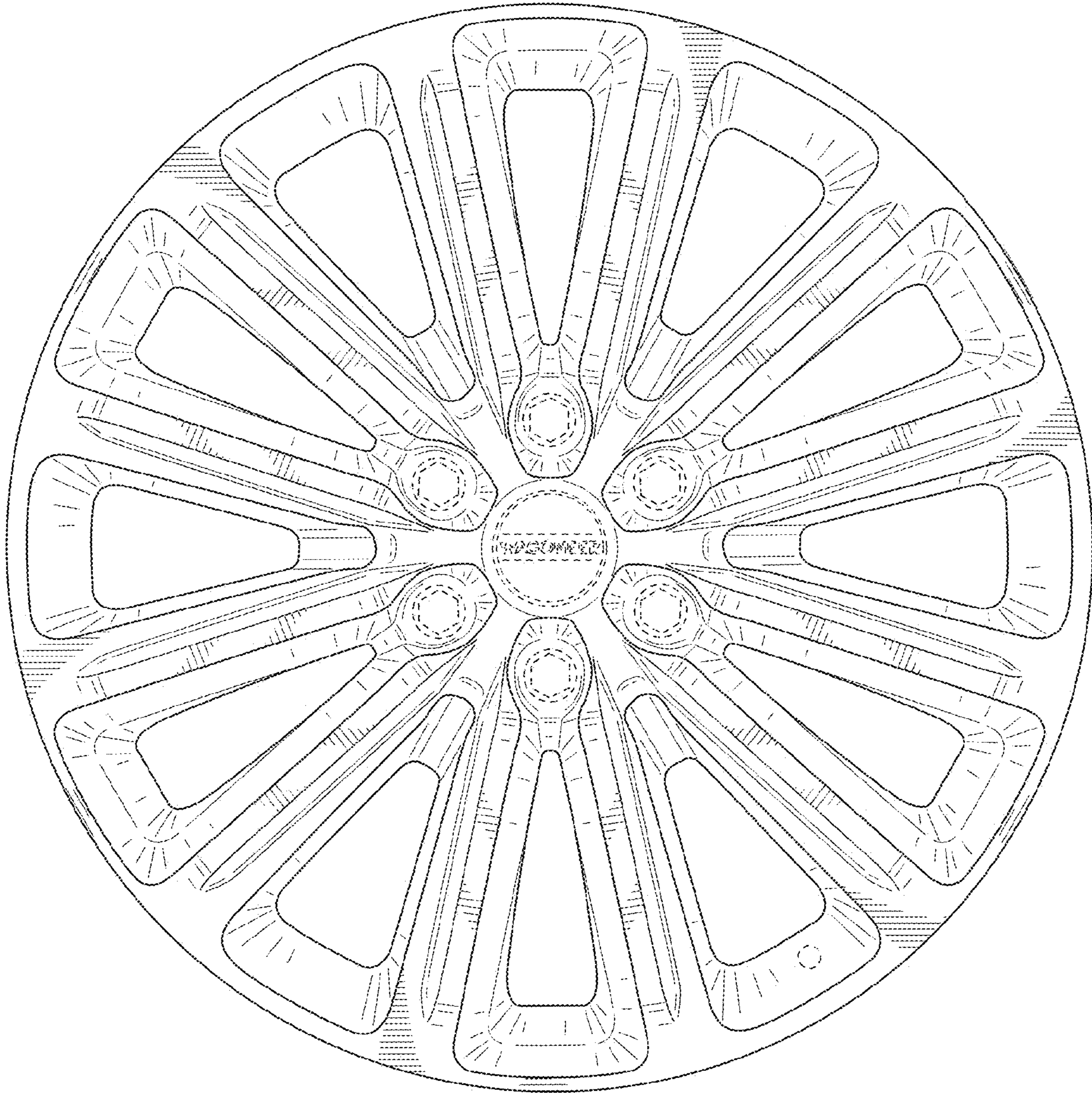


FIG. 3