



US00D971105S

(12) **United States Design Patent** (10) **Patent No.:** **US D971,105 S**
Shen (45) **Date of Patent:** **** Nov. 29, 2022**

(54) **CAR DOOR STEP**
(71) Applicant: **Junmin Shen**, Huizhou (CN)
(72) Inventor: **Junmin Shen**, Huizhou (CN)
(**) Term: **15 Years**
(21) Appl. No.: **29/810,989**
(22) Filed: **Oct. 11, 2021**

(51) **LOC (13) Cl.** **12-16**
(52) **U.S. Cl.**
USPC **D12/203**
(58) **Field of Classification Search**
USPC D12/203, 125, 162, 174, 114; D25/62,
D25/65; D17/22; D21/685
CPC .. B60R 3/002; B60R 3/02; B60R 3/00; B60R
3/005; B60R 3/007
See application file for complete search history.

(56) **References Cited**
U.S. PATENT DOCUMENTS

4,402,385	A *	9/1983	Buche	E06C 9/04 182/91
D276,716	S *	12/1984	Dignan	D12/203
D296,431	S *	6/1988	Yont	D12/203
D316,394	S *	4/1991	Carr	D12/203
D360,441	S *	7/1995	Beyer	D12/125
D445,076	S *	7/2001	Weinerman	D12/203
D446,487	S *	8/2001	Busch	D12/174
D449,264	S *	10/2001	Weinerman	D12/203
D488,407	S *	4/2004	Wright	D12/125
D498,441	S *	11/2004	Catanescu	D12/114
D498,715	S *	11/2004	Smith	D12/162
D505,900	S *	6/2005	Oravec, III	D12/203
D506,171	S *	6/2005	Oravec, III	D12/203
D626,901	S *	11/2010	Fallot	D12/174
D629,342	S *	12/2010	Fallot	D12/174
D676,368	S	2/2013	Cover		
D683,291	S *	5/2013	Broadstreet	D12/400
D697,839	S *	1/2014	Le	D12/162
D794,525	S	8/2017	Chen		

D803,126	S	11/2017	Foley		
D807,804	S	1/2018	Huang		
D809,446	S	2/2018	Montoya		
D825,401	S *	8/2018	Stickles	D12/162
D851,544	S *	6/2019	Stickles	D12/162
D857,566	S *	8/2019	Guo	D12/162
D859,256	S *	9/2019	Rosario	F16C 19/06 D12/203
D862,340	S *	10/2019	Le	D12/203
10,562,455	B2 *	2/2020	Mao	B60R 3/005
D885,283	S	5/2020	Moctezuma		

(Continued)

OTHER PUBLICATIONS

Xprite Extra Large Car Door Step, Upgraded Foldable Door Step Heavy Duty Roof Rack Door Step Pedal Ladder on Door Latch Compatible with Most Car, Truck, SUV, Max Load 450 LBS; Dec. 15, 2021; https://www.amazon.com/Xprite-Upgraded-Foldable-Ladder-Compatible/dp/B09NN4G3HR/ref=sr_1_2?crd=3BJHWTYG6O35;8Pgs (Year: 2021).*

Primary Examiner — Michelle E. Wilson
Assistant Examiner — Clese Moore, Jr.
(74) *Attorney, Agent, or Firm* — Rumit Ranjit Kanakia

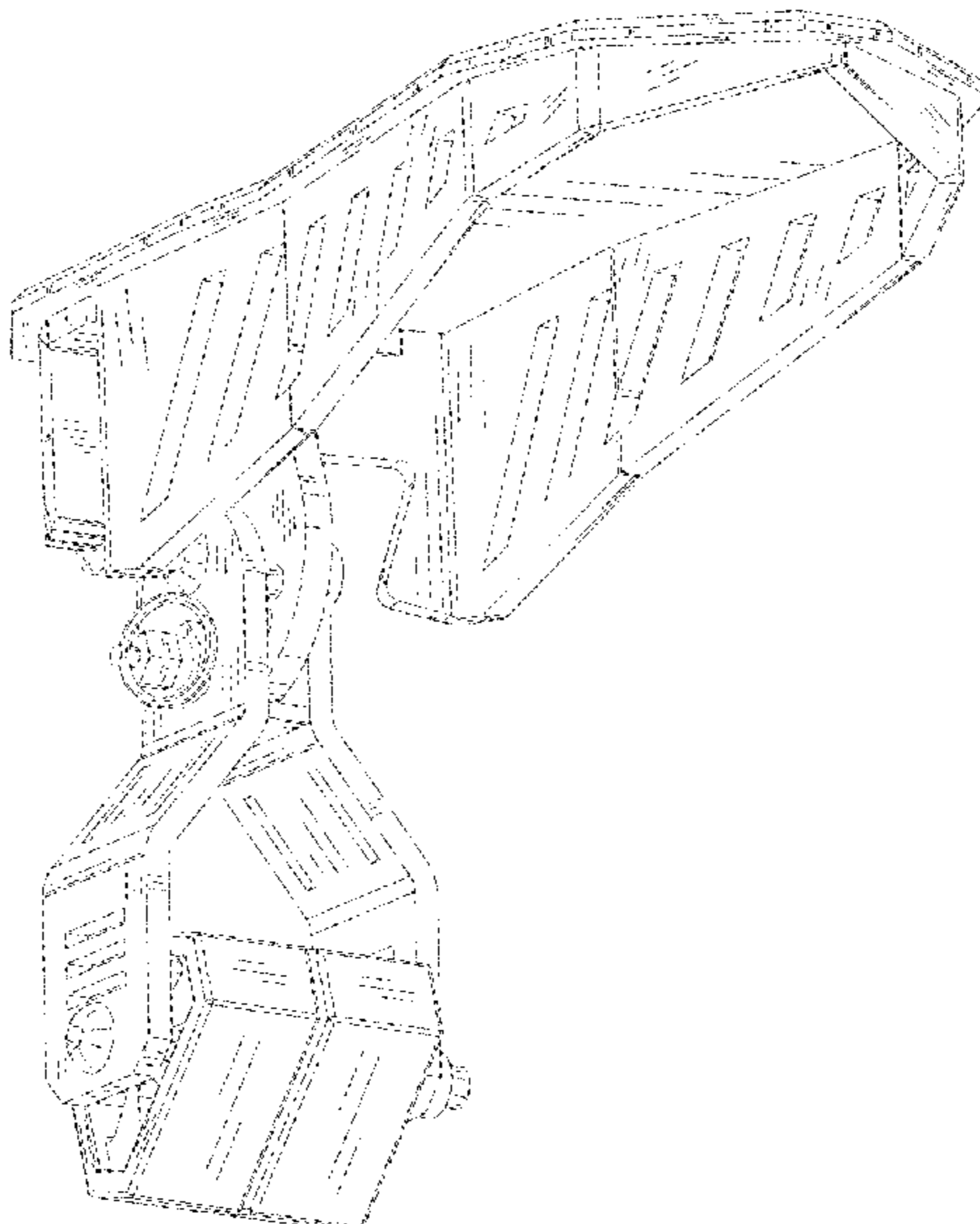
(57) **CLAIM**

I claim the ornamental design for a car door step, as shown and described.

DESCRIPTION

FIG. 1 is a Perspective view of a car door step showing my new design;
FIG. 2 is a Back view thereof;
FIG. 3 is a Front view thereof;
FIG. 4 is a Left-side view thereof;
FIG. 5 is a Right-side view thereof;
FIG. 6 is a Bottom view thereof; and,
FIG. 7 is a Top view thereof.

1 Claim, 7 Drawing Sheets



(56)

References Cited

U.S. PATENT DOCUMENTS

D911,891 S * 3/2021 Blades-Nixon D12/174
2015/0274053 A1* 10/2015 Carlioz B64D 11/06
297/423.26

* cited by examiner

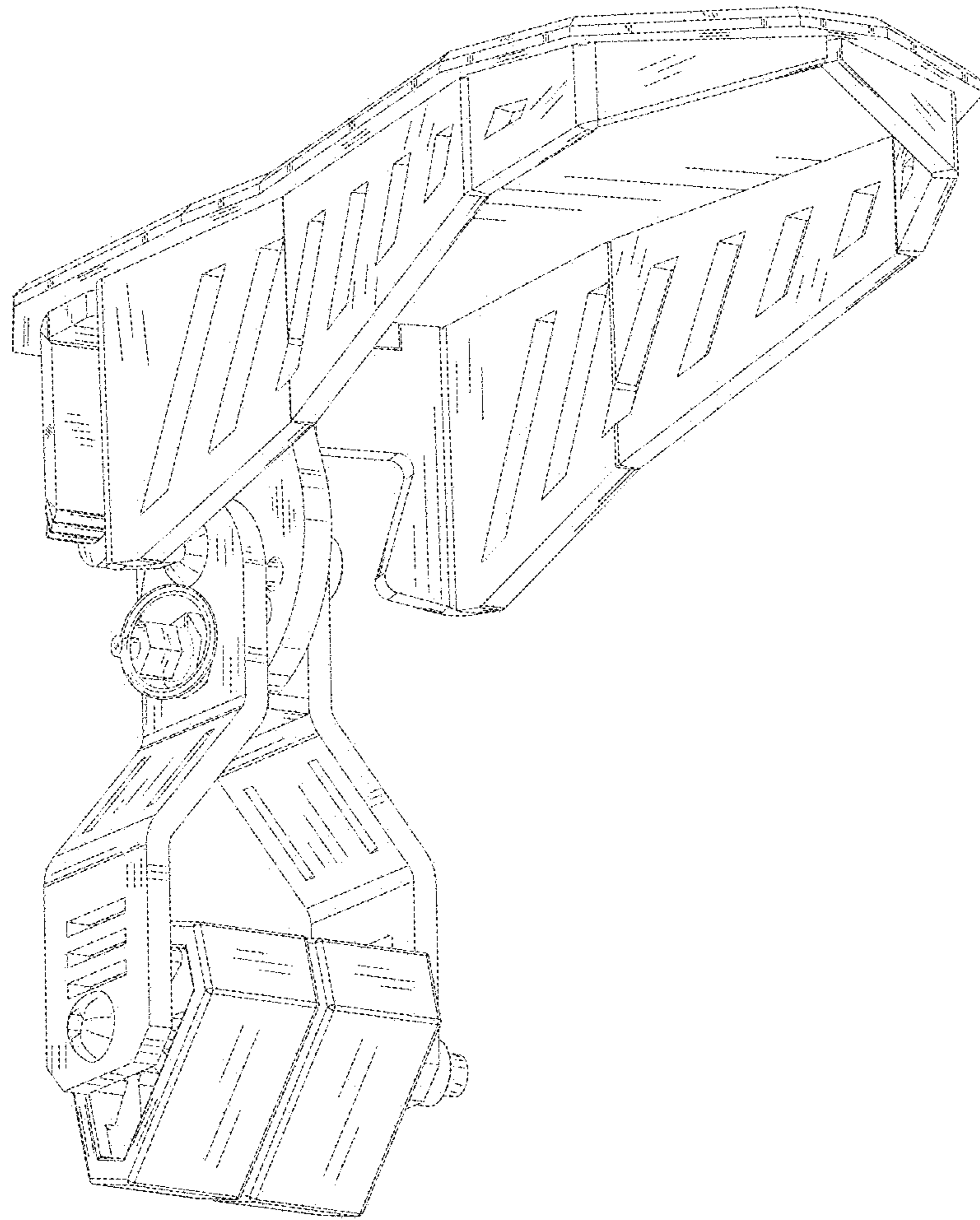


FIG. 1

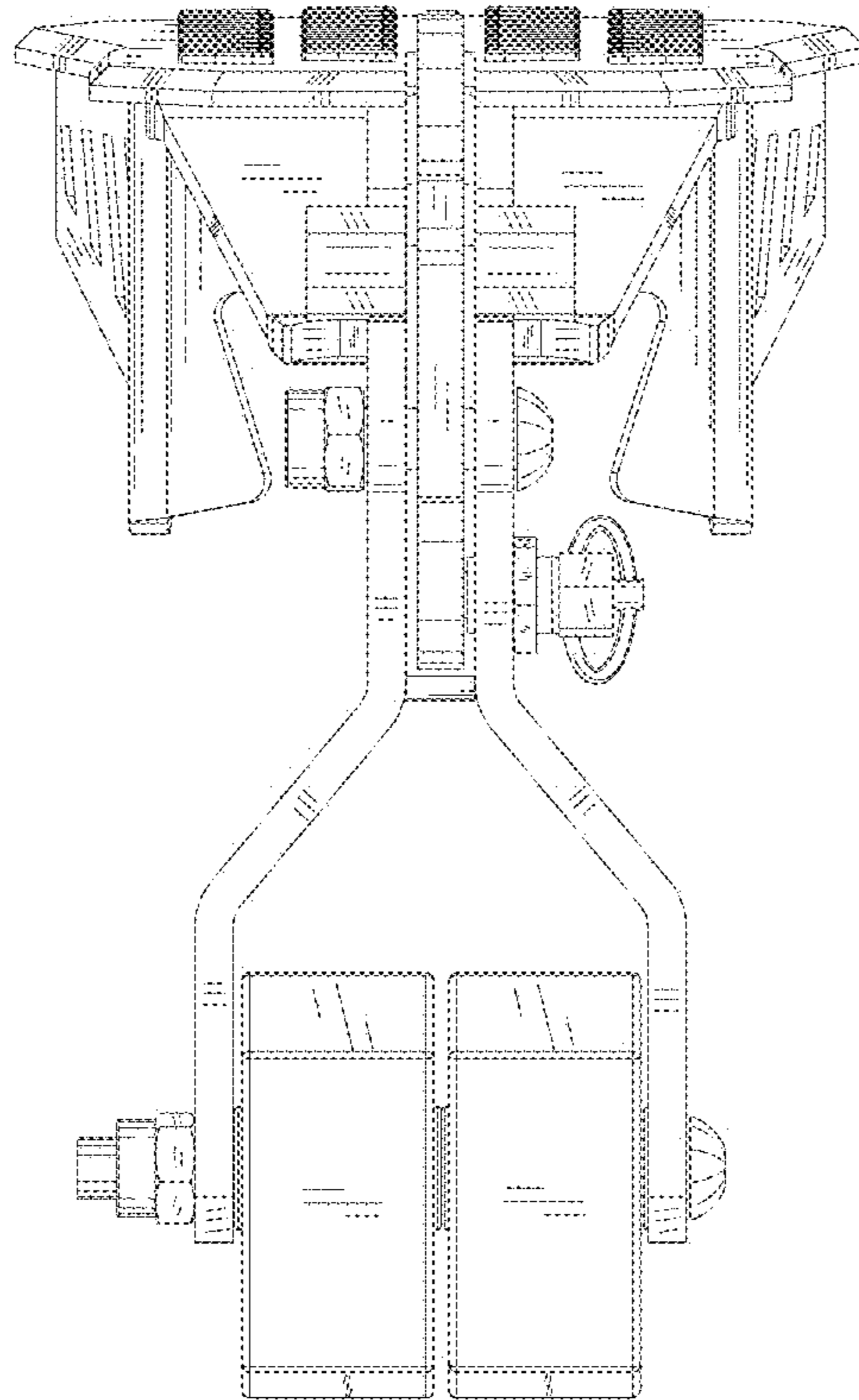


FIG.2

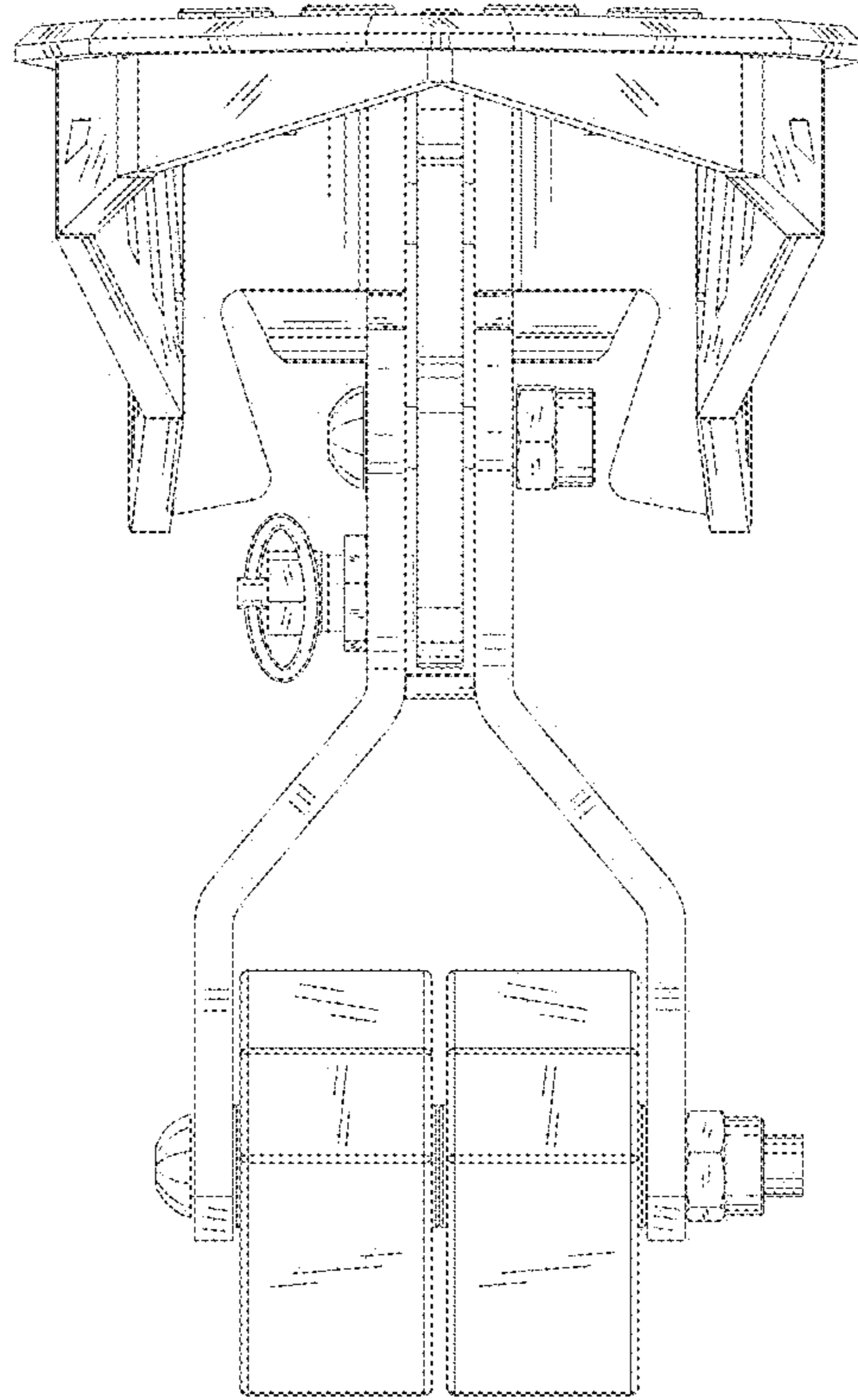


FIG. 3

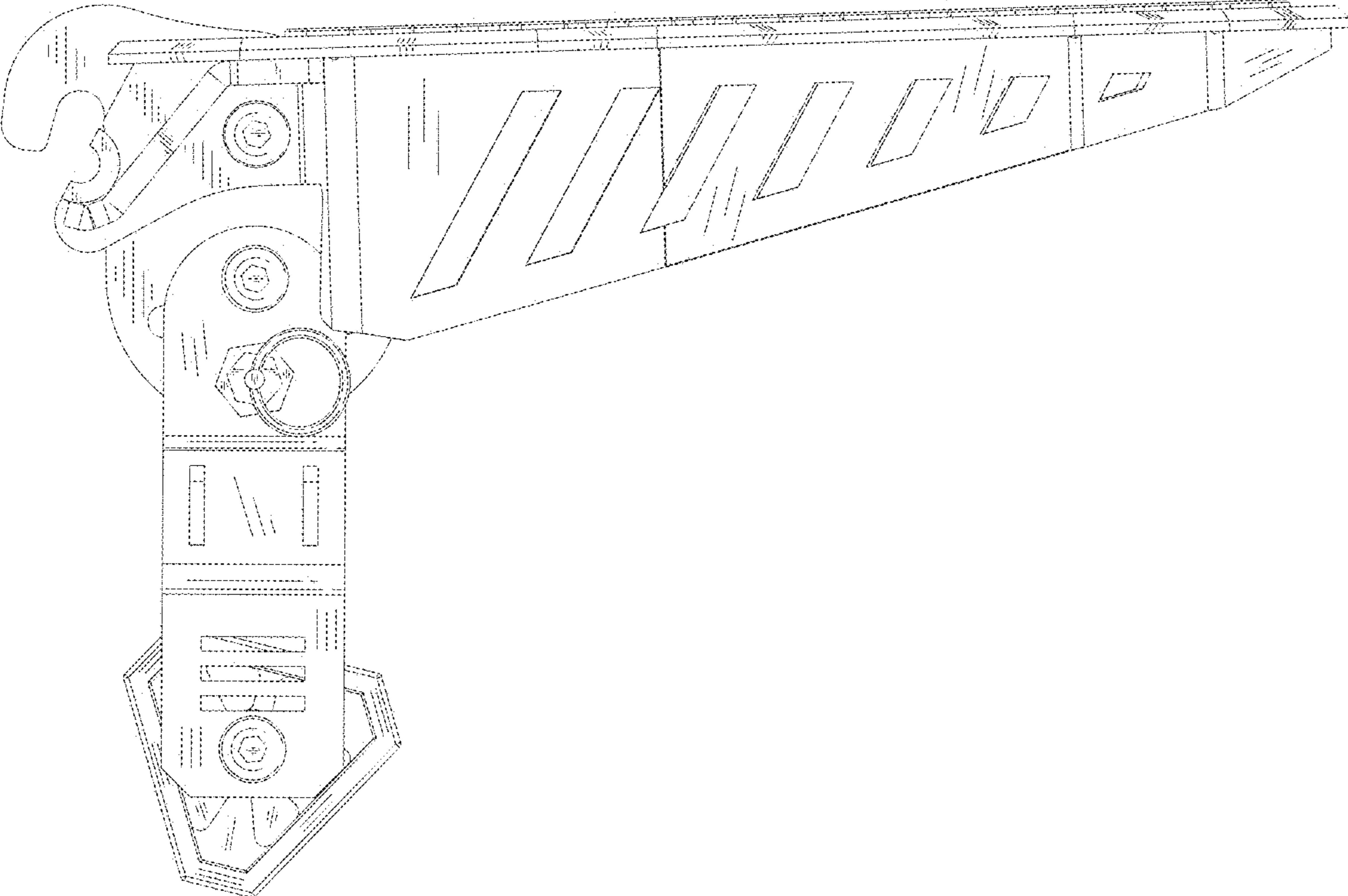


FIG. 4

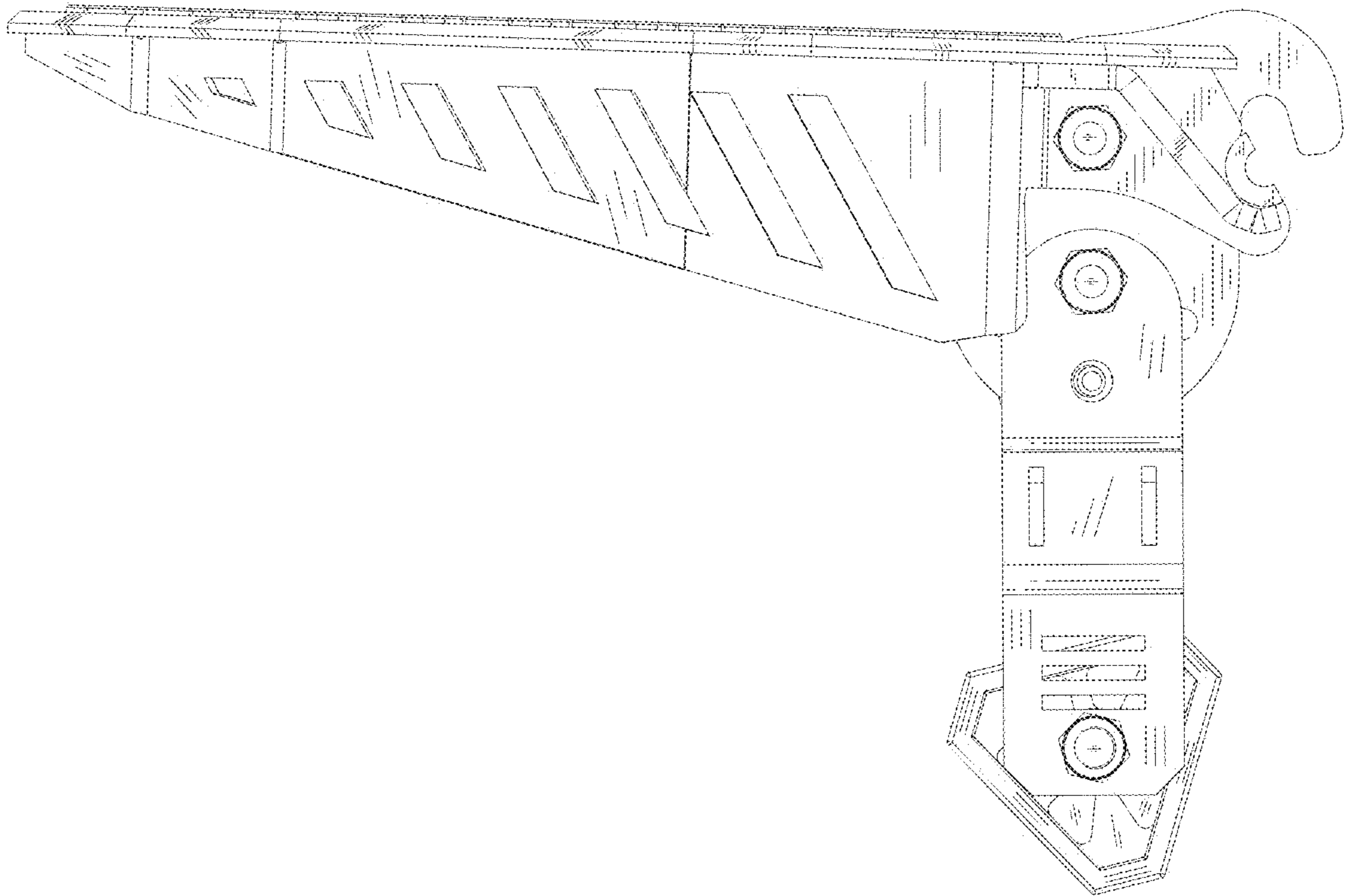


FIG.5

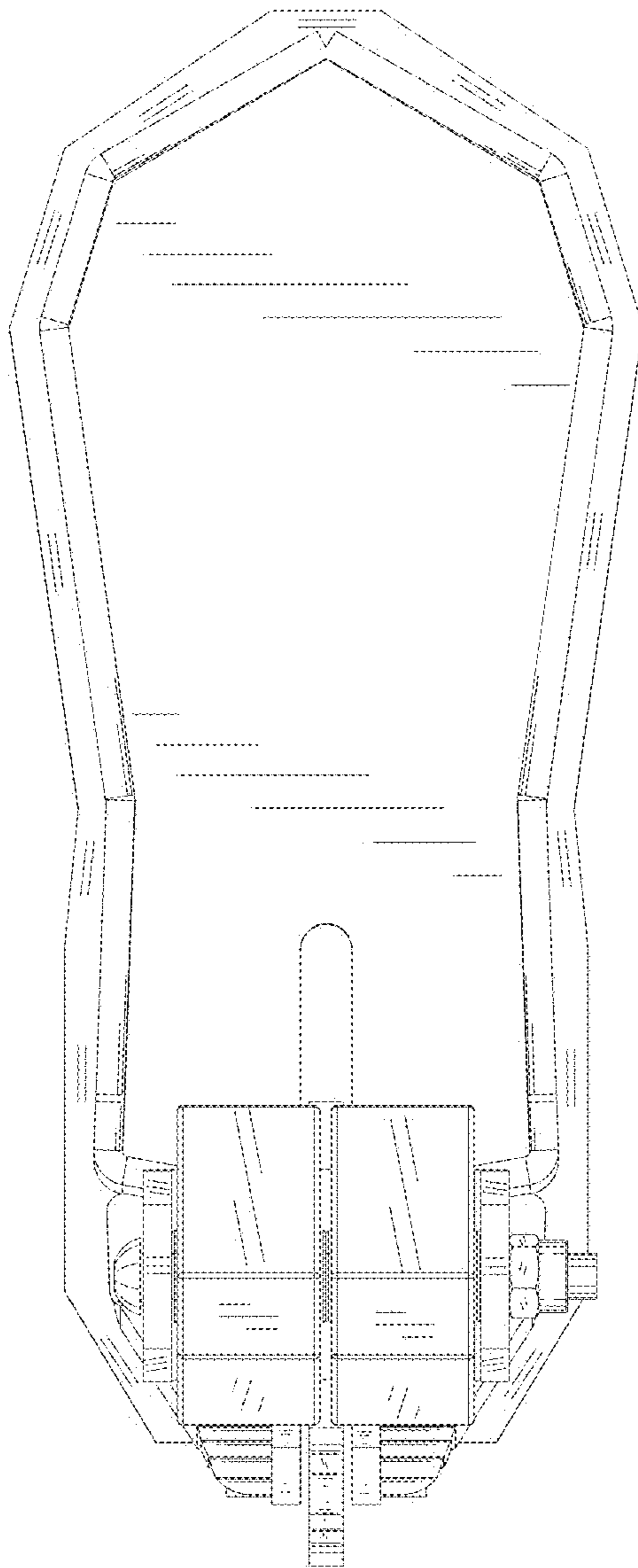


FIG.6

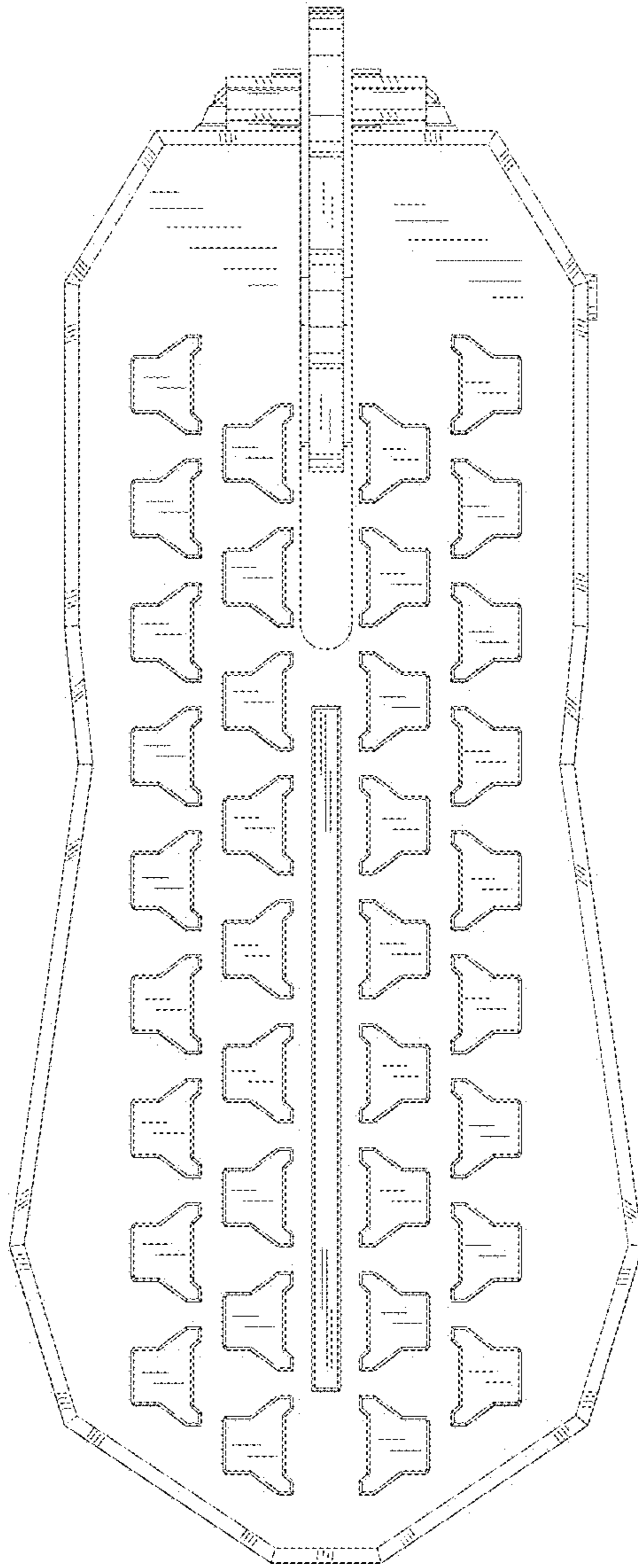


FIG. 7