

US00D971104S

(12) **United States Design Patent** (10) **Patent No.:** **US D971,104 S**
Kim et al. (45) **Date of Patent:** **** Nov. 29, 2022**

(54) **REAR DOOR PANEL FOR AUTOMOBILE**

(71) Applicants: **HYUNDAI MOTOR COMPANY**,
Seoul (KR); **KIA CORPORATION**,
Seoul (KR)

(72) Inventors: **Han-Gyeol Kim**, Suwon-shi (KR);
Hong-Seok Choi, Inchen-shi (KR)

(**) Term: **15 Years**

(21) Appl. No.: **35/512,622**

(22) Filed: **May 31, 2021**

(80) **Hague Agreement Data**

Int. Filing Date: **May 31, 2021**

Int. Reg. No.: **DM/216292**

Int. Reg. Date: **May 31, 2021**

Int. Reg. Pub. Date: **Sep. 24, 2021**

(30) **Foreign Application Priority Data**

Jan. 28, 2021 (KR) 30-2021-0004701

(51) **LOC (13) Cl.** **12-16**

(52) **U.S. Cl.**
USPC **D12/196**

(58) **Field of Classification Search**

USPC ... D12/1, 12, 13, 14, 15, 82, 84, 85, 86, 87,
D12/88, 89, 90, 91, 92, 93, 94, 96, 97,
D12/98, 99, 100, 181, 184, 190, 192, 195,
D12/196, 400; D21/533, 548, 552, 561

CPC B60J 5/00; B60J 5/04; B60J 5/0412; B60J
5/0425; B60J 5/0437; B60J 5/0441; B60J
5/0444; B60J 5/0447; B60J 5/0463; B60J
5/0469; B60J 5/0476; B60J 5/0483; B60J
5/0486; B62D 25/02; B62D 25/04; B62D
35/00

See application file for complete search history.

(56) **References Cited**

U.S. PATENT DOCUMENTS

D785,530 S * 5/2017 Kyung D12/196
D787,402 S * 5/2017 Luk D12/196
D801,247 S * 10/2017 Lee D12/196
D833,938 S * 11/2018 Lee D12/196
D859,255 S * 9/2019 Lee D12/196
D875,011 S * 2/2020 Choi D12/196
D915,972 S * 4/2021 Kim D12/196
D940,622 S * 1/2022 Kim B60J 5/00
D12/196
D951,164 S * 5/2022 Oh B62D 25/02
D12/196
D957,299 S * 7/2022 Bae D12/196

* cited by examiner

Primary Examiner — Cary M Robinson

Assistant Examiner — Adam C Mager

(57) **CLAIM**

The ornamental design for a rear door panel for automobile,
as shown and described.

DESCRIPTION

1. Rear door panel for automobile

1.1 : Perspective

1.2 : Front

1.3 : Back

1.4 : Left

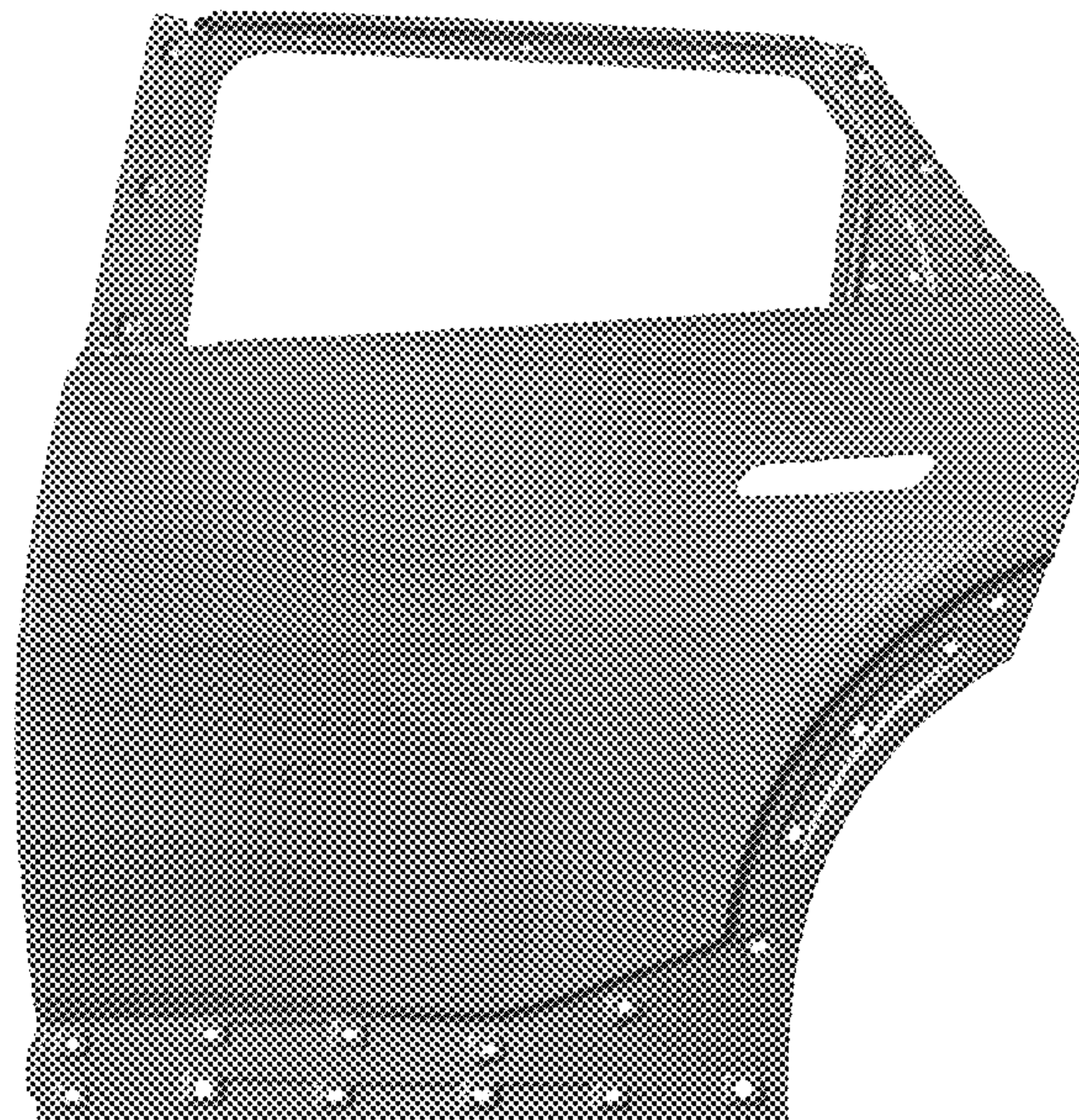
1.5 : Right

1.6 : Top

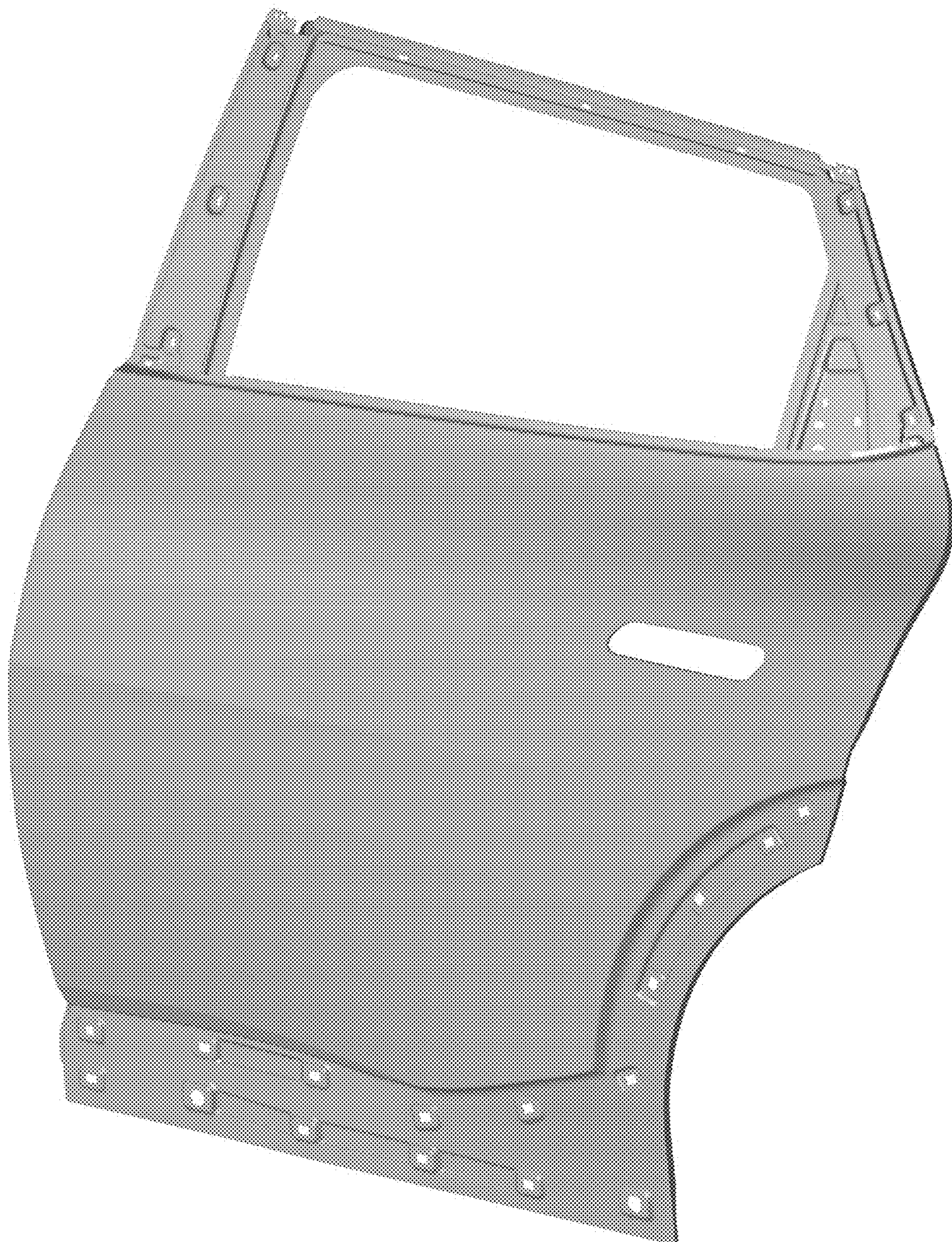
1.7 : Bottom

1.1 is a perspective view of a rear door panel for automobile
showing our new design; 1.2 is a front elevation view
thereof; 1.3 is a rear elevation view thereof; 1.4 is a left side
elevation view thereof; 1.5 is a right side elevation view
thereof; 1.6 is a top plan view thereof; 1.7 is a bottom plan
view thereof.

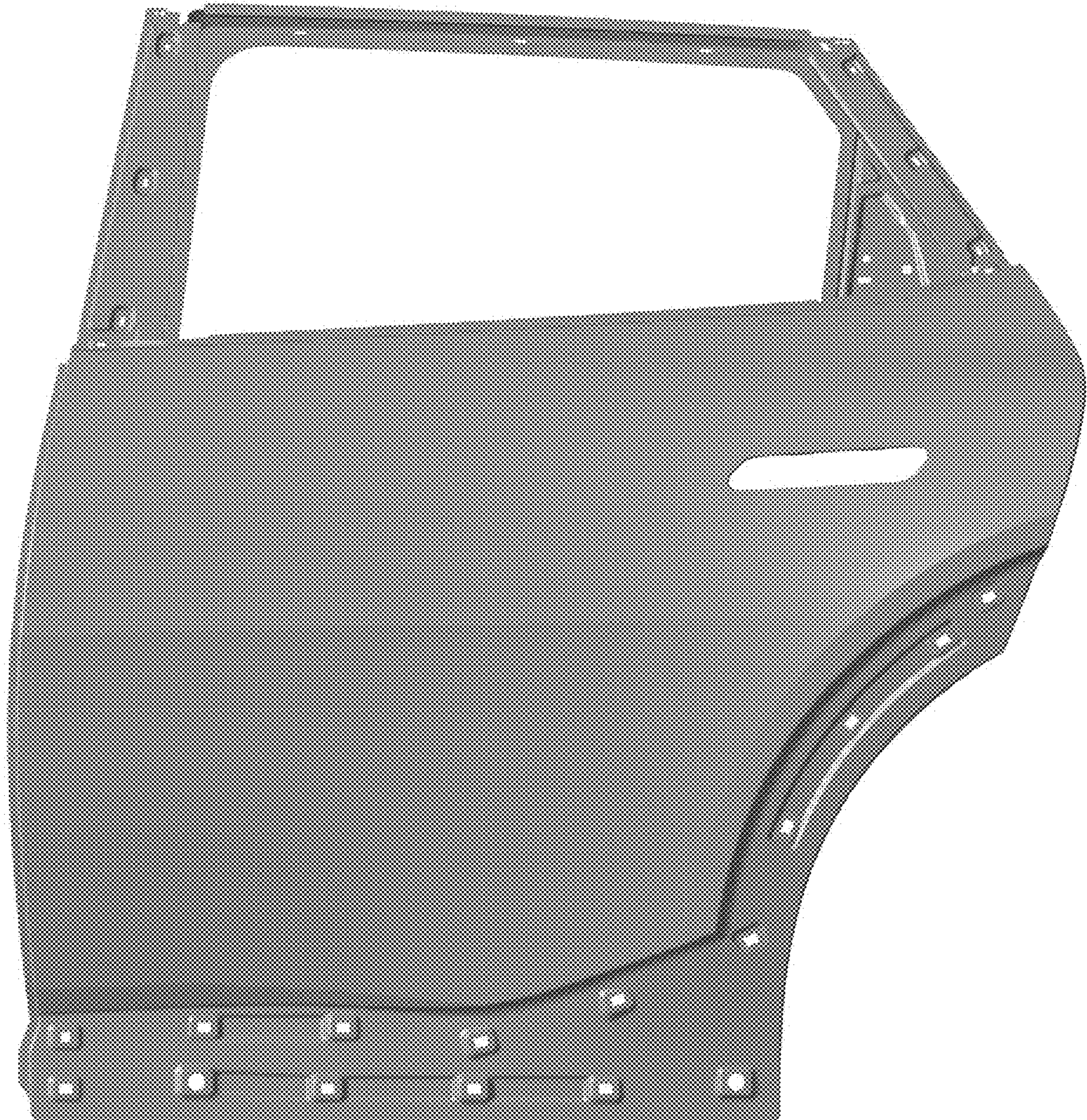
1 Claim, 7 Drawing Sheets



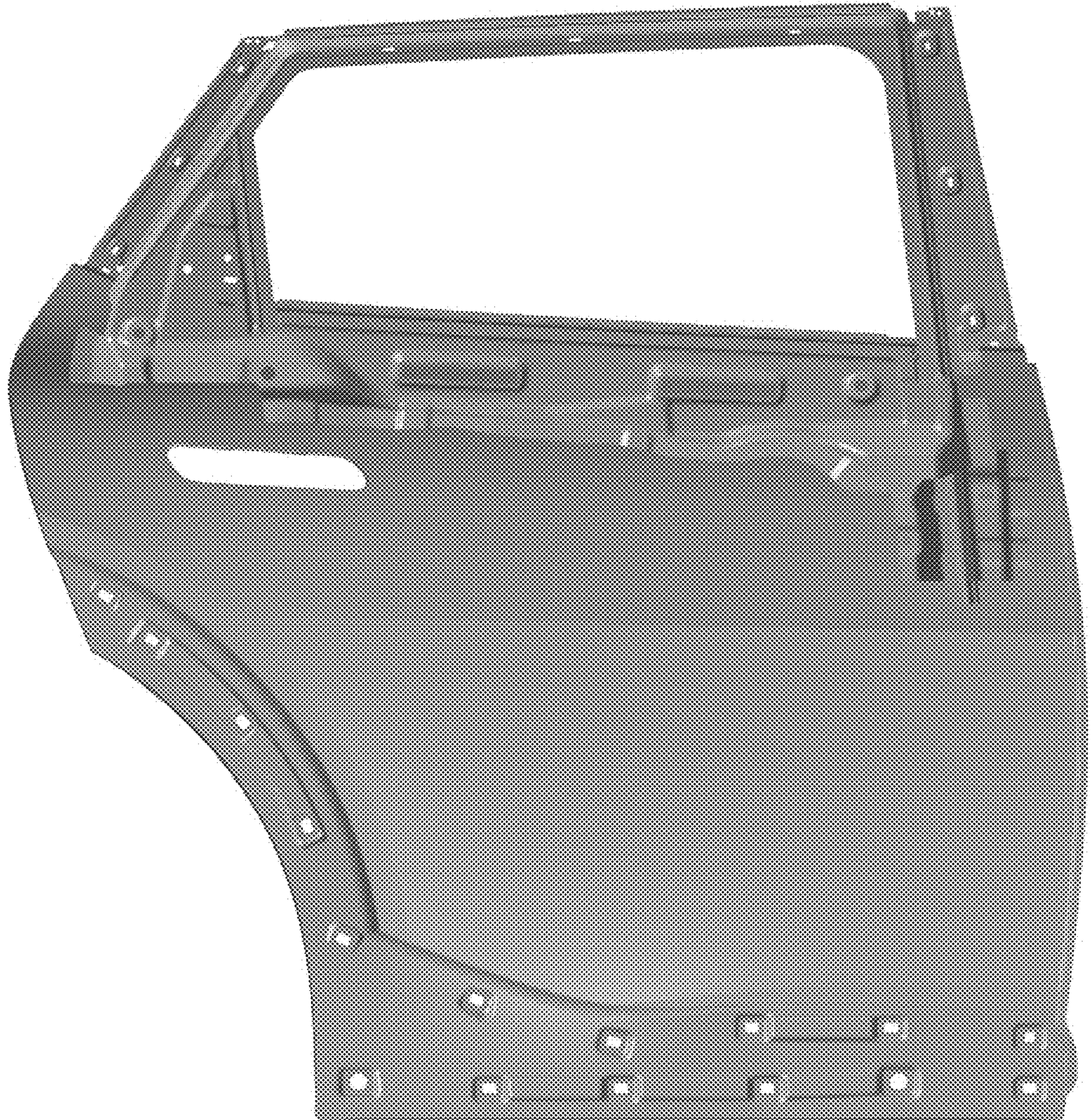
1.1



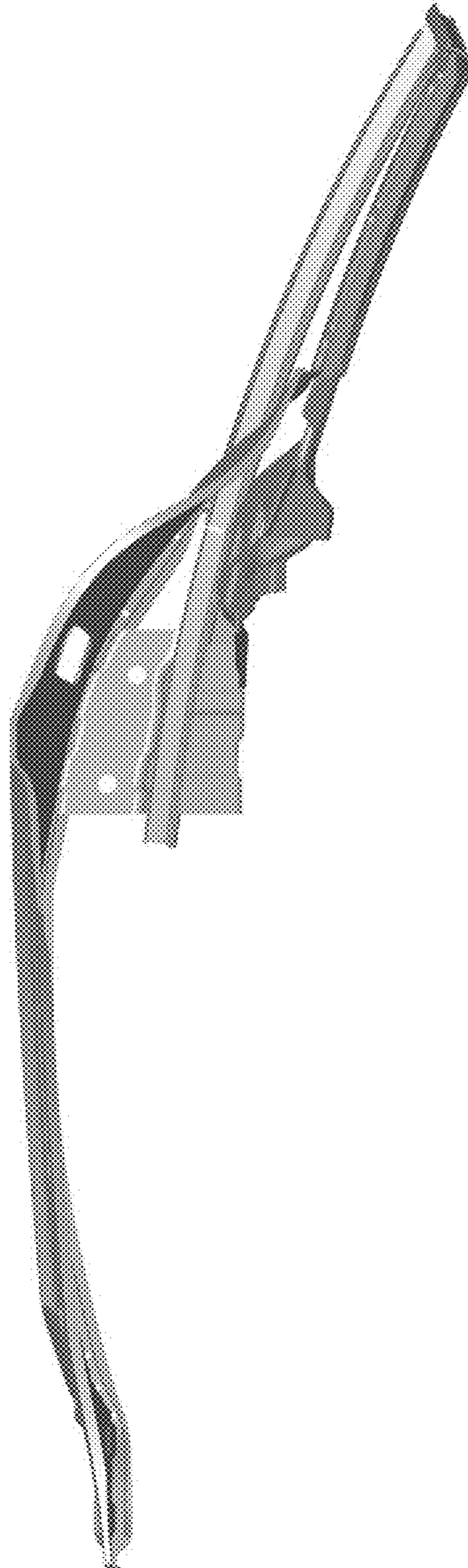
1.2



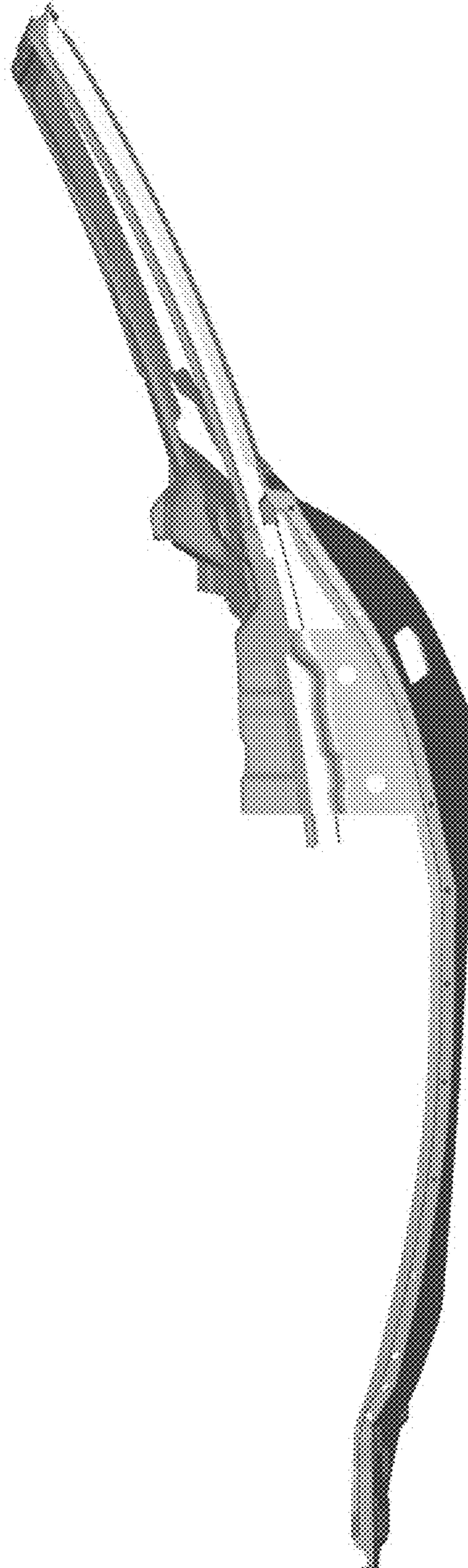
1.3



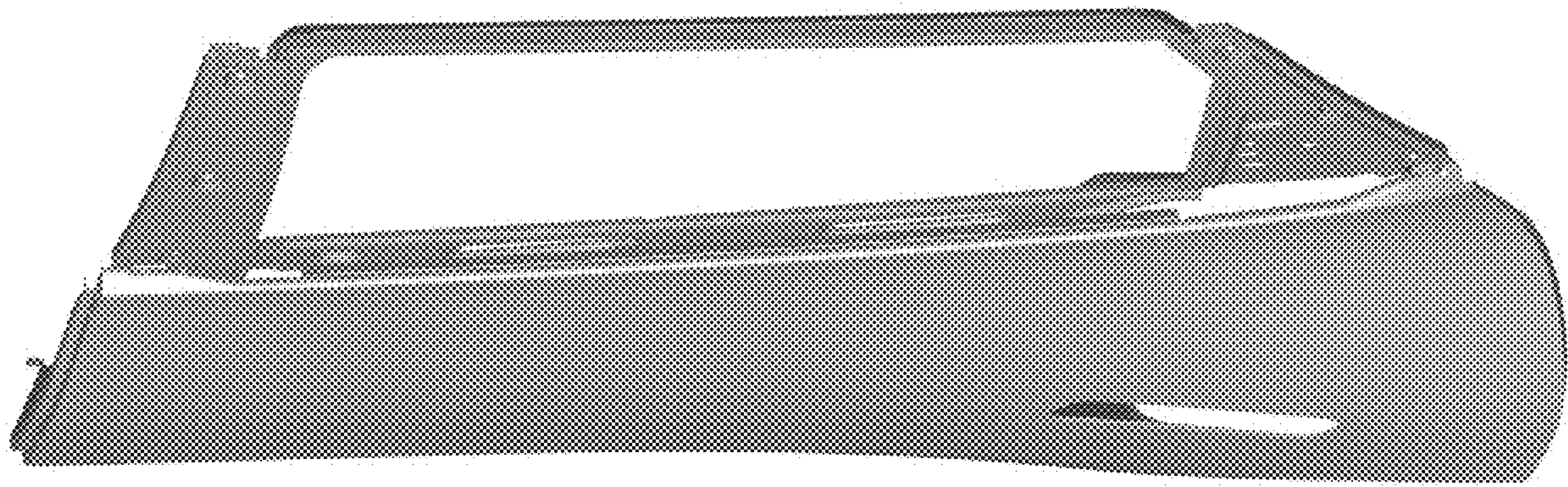
1.4



1.5



1.6



1.7

