



US00D971096S

(12) **United States Design Patent** (10) **Patent No.:** **US D971,096 S**  
**Pena et al.** (45) **Date of Patent:** **\*\* Nov. 29, 2022**

(54) **FRONT BUMPER FOR A VEHICLE**  
(71) Applicant: **Bayerische Motoren Werke Aktiengesellschaft, Munich (DE)**  
(72) Inventors: **Jose Alberto Casas Pena, Munich (DE); Pavle Trpinac, Munich (DE)**  
(73) Assignee: **Bayerische Motoren Werke Aktiengesellschaft, Munich (DE)**  
(\*\*) Term: **15 Years**

D825,412 S \* 8/2018 Luk ..... D12/169  
D840,296 S \* 2/2019 Buckingham  
D845,192 S \* 4/2019 Sarreméjean ..... D12/169  
D852,691 S \* 7/2019 Tovey ..... D12/169  
D855,510 S \* 8/2019 Nissl ..... D12/169  
D873,727 S \* 1/2020 Schneider ..... D12/169  
D875,624 S \* 2/2020 Tanghe ..... D12/169  
D885,266 S \* 5/2020 Kezha ..... D12/169  
D885,267 S \* 5/2020 Tanghe ..... D12/169  
D890,649 S \* 7/2020 Kang ..... D12/169  
D890,650 S \* 7/2020 Kang ..... D12/169  
D890,652 S \* 7/2020 Al Attar ..... D12/169  
D890,653 S \* 7/2020 Sarreméjean ..... D12/169  
D902,094 S \* 11/2020 Peplowski ..... D12/169

(Continued)

(21) Appl. No.: **29/786,453**

(22) Filed: **Jun. 1, 2021**

(30) **Foreign Application Priority Data**

Dec. 4, 2020 (DE) ..... 402020101154.1

(51) **LOC (13) Cl.** ..... **12-16**

(52) **U.S. Cl.**  
USPC ..... **D12/169**

(58) **Field of Classification Search**  
USPC ..... D12/163, 196, 86, 90-92, 169, 190, 98,  
D12/164; 293/102, 113, 115, 117, 120,  
293/193.11; 296/180.1, 180.2  
CPC ..... B60R 19/02; B60R 19/04; B62D 25/08  
See application file for complete search history.

(56) **References Cited**

**U.S. PATENT DOCUMENTS**

D669,402 S \* 10/2012 Elmitt ..... D12/169  
D716,199 S \* 10/2014 Beermann ..... D12/169  
D735,096 S \* 7/2015 Nissl ..... D12/169  
D748,543 S \* 2/2016 Nissl ..... D12/169  
D772,120 S \* 11/2016 Luk ..... D12/169  
D772,122 S \* 11/2016 Zurian ..... D12/169  
D787,377 S \* 5/2017 Al Attar ..... D12/92  
D787,990 S \* 5/2017 Kozub ..... D12/169  
D803,100 S \* 11/2017 Forschner ..... D12/92  
D803,112 S \* 11/2017 Tomita ..... D12/169

**FOREIGN PATENT DOCUMENTS**

WO WO DM/209873 2/2021

*Primary Examiner* — Melody N Brown

(74) *Attorney, Agent, or Firm* — Crowell & Moring LLP

(57) **CLAIM**

The ornamental design for a front bumper for a vehicle, as shown and described.

**DESCRIPTION**

This application contains subject matter related to the following co-pending U.S. design patent application: Application Ser. No. 29/786,454, filed herewith and entitled "Front Bumper for a Vehicle".

FIG. 1 is a front view of a front bumper for a vehicle according to the design;

FIG. 2 is a right, front perspective view thereof;

FIG. 3 is a left, bottom perspective view thereof;

FIG. 4 is a right side view thereof;

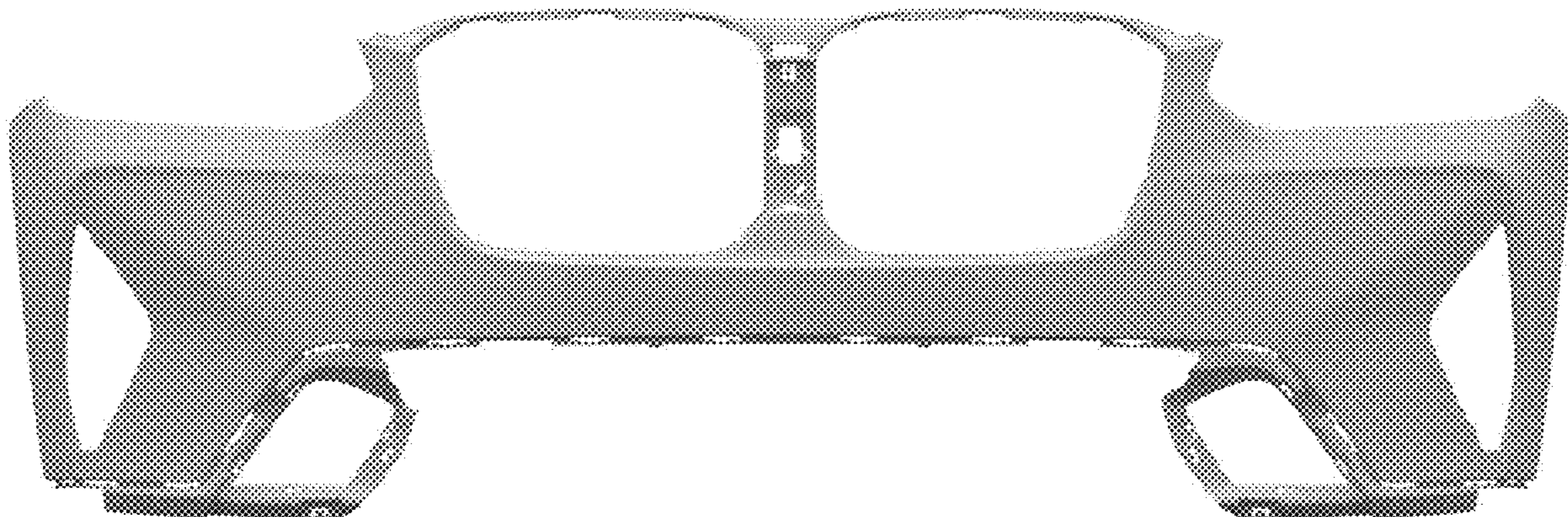
FIG. 5 is a left side view thereof;

FIG. 6 is a top view thereof;

FIG. 7 is a bottom view thereof; and,

FIG. 8 is a rear view thereof.

**1 Claim, 8 Drawing Sheets**



(56)

**References Cited**

U.S. PATENT DOCUMENTS

D941,717 S \* 1/2022 Forschner ..... D12/169  
D951,830 S \* 5/2022 Elmitt ..... D12/169  
D952,527 S \* 5/2022 Lim ..... D12/169

\* cited by examiner

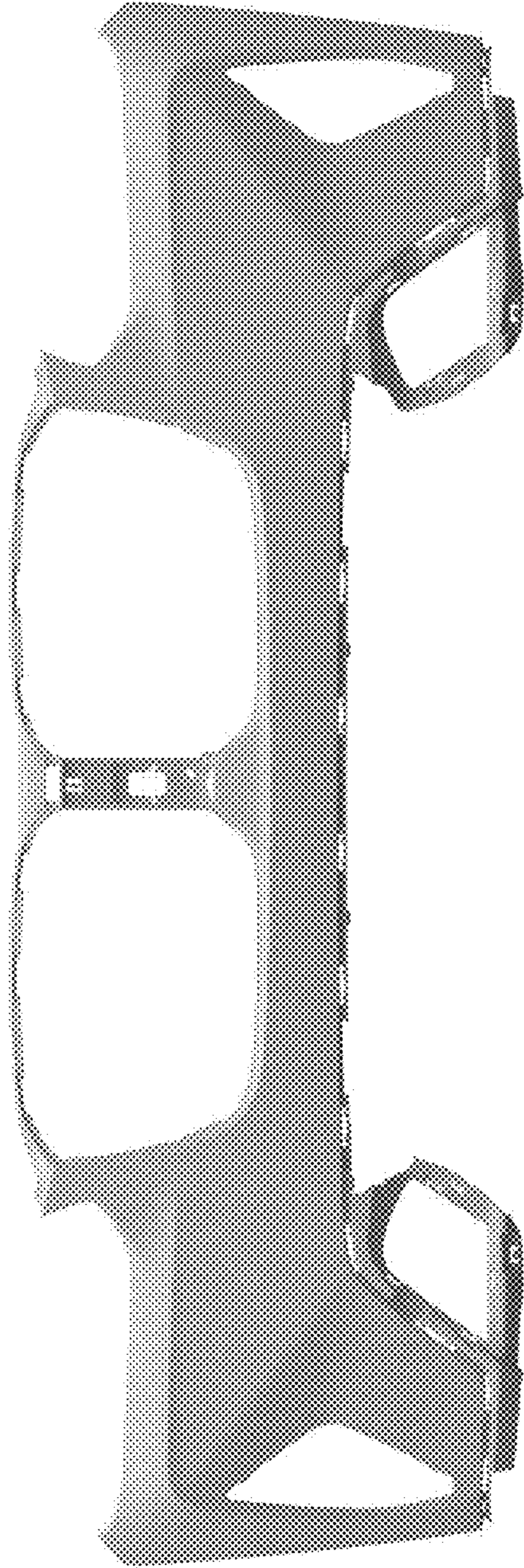


Fig. 1



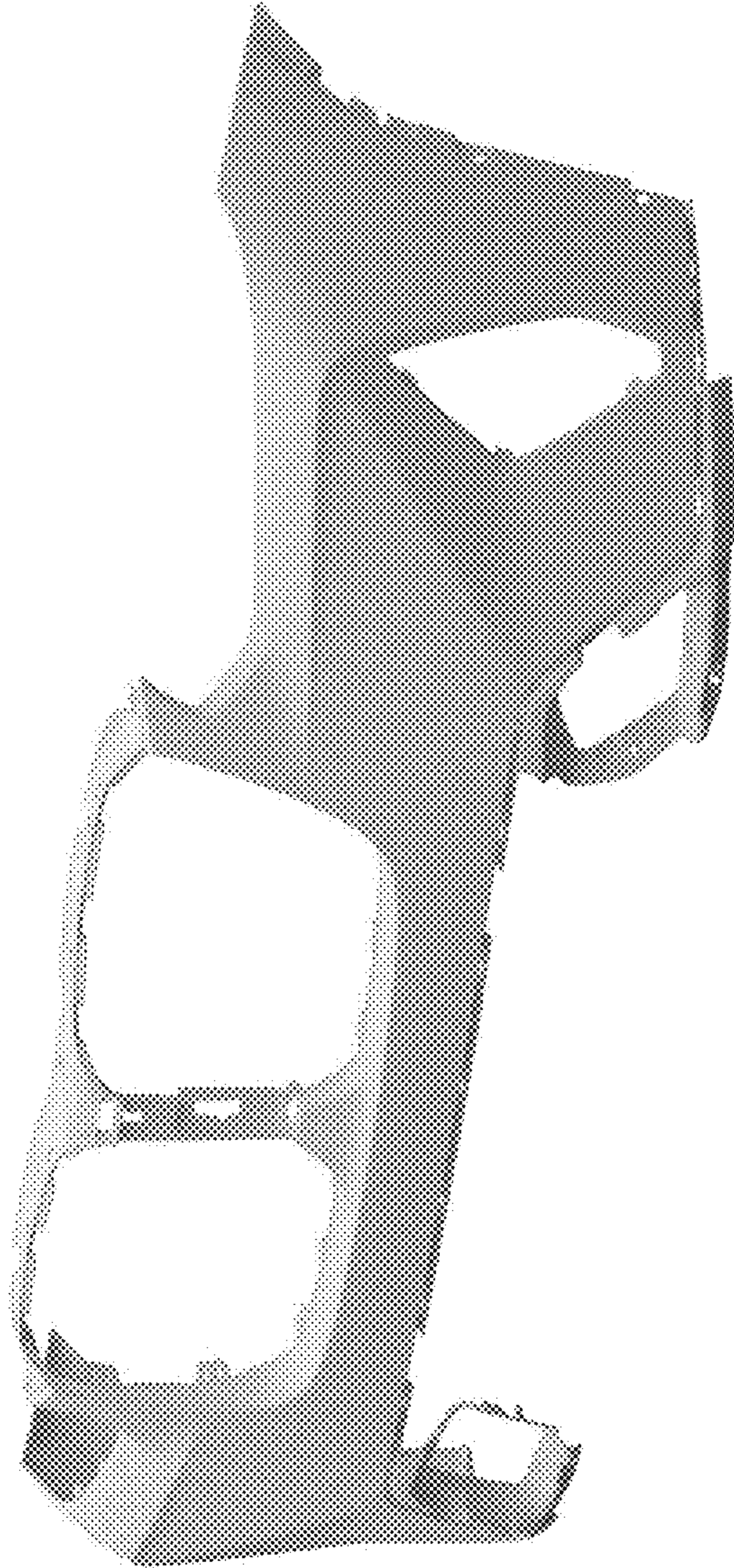


Fig. 2

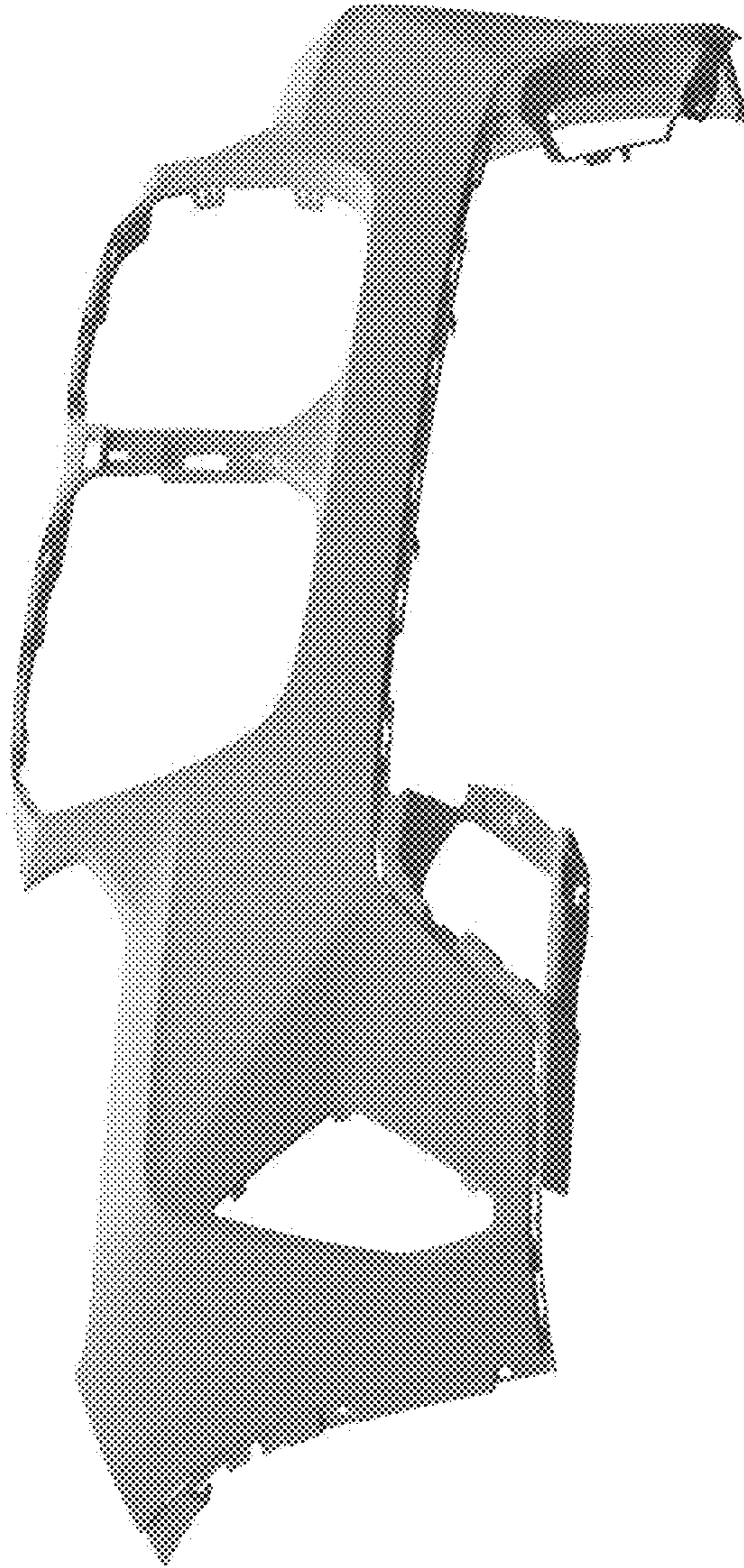


Fig. 3

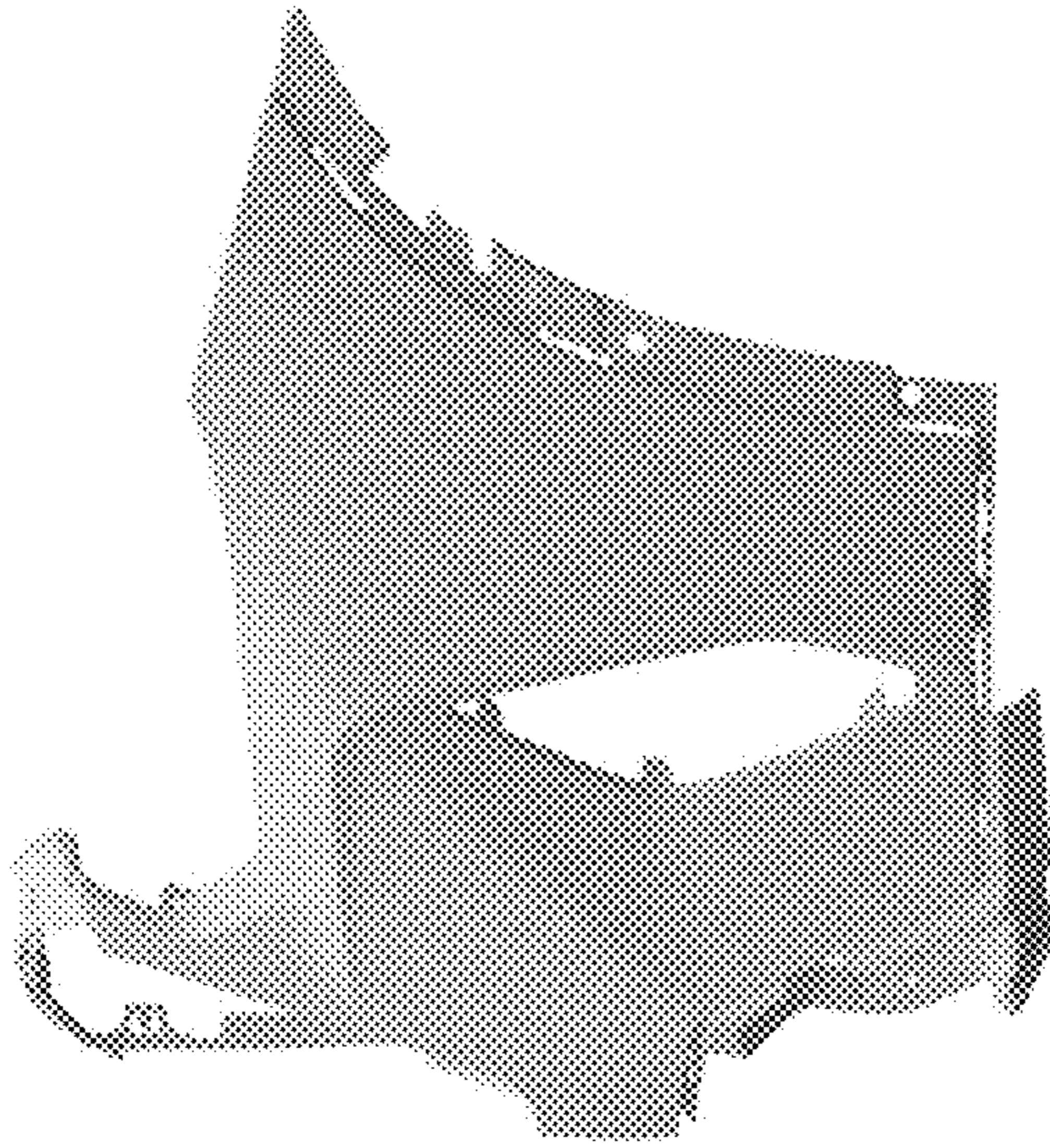


Fig. 4



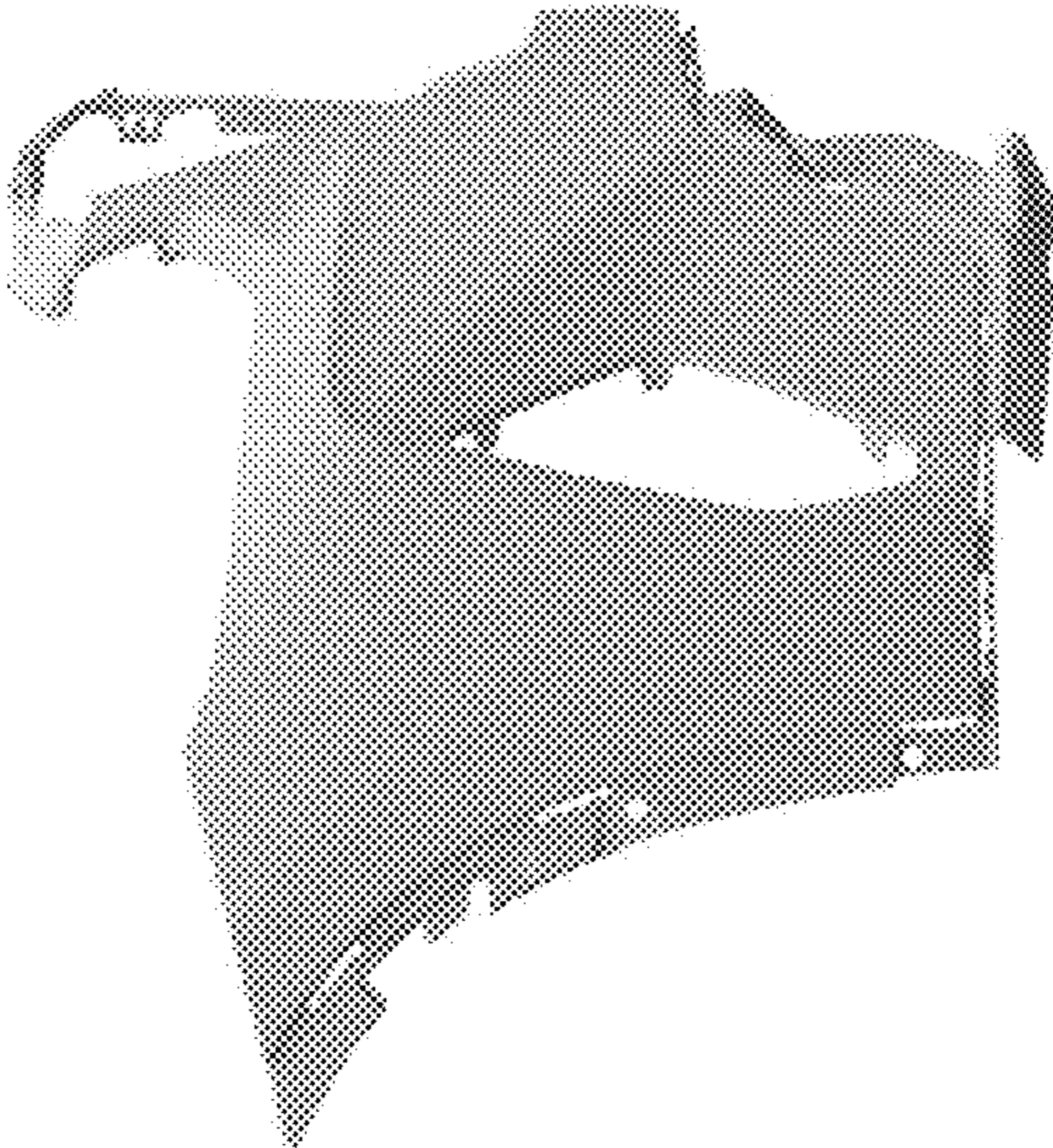


Fig. 5

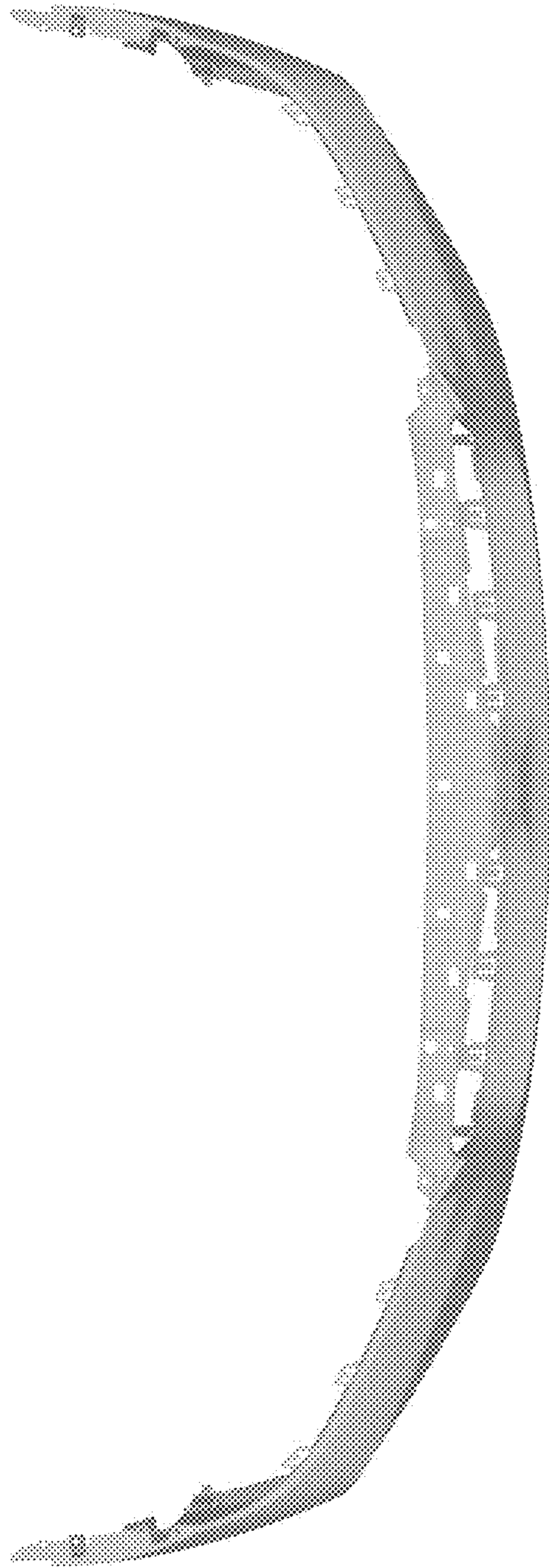


Fig. 6



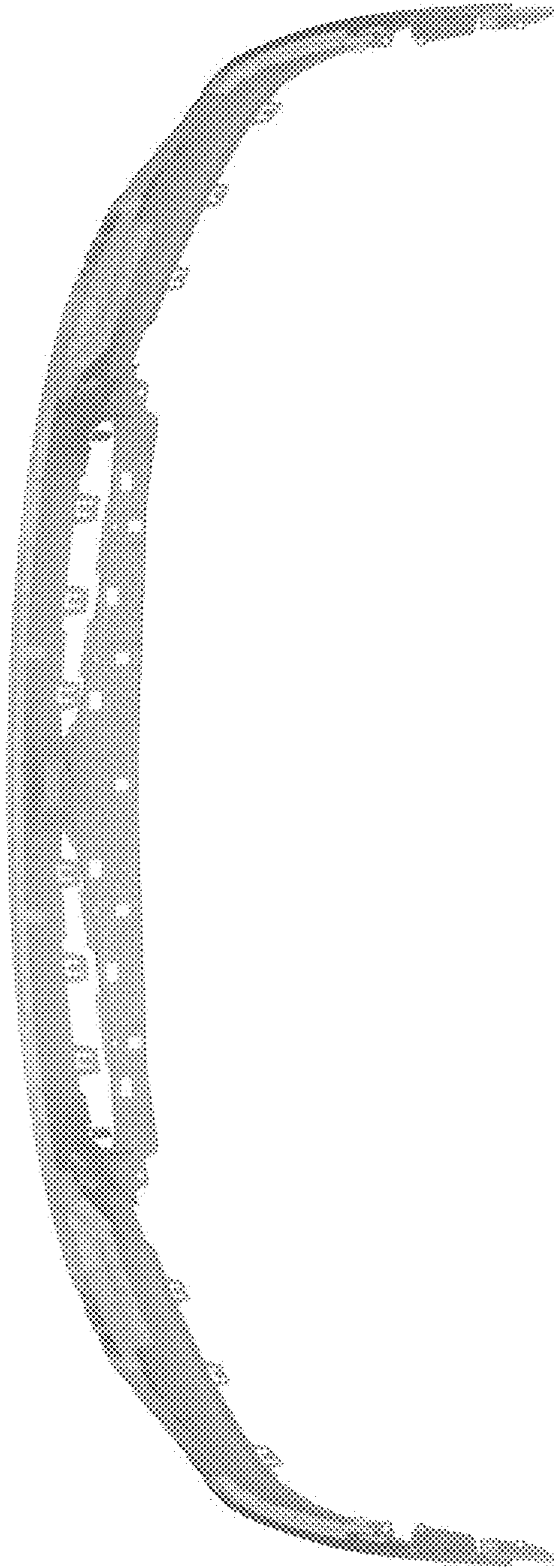


Fig. 7

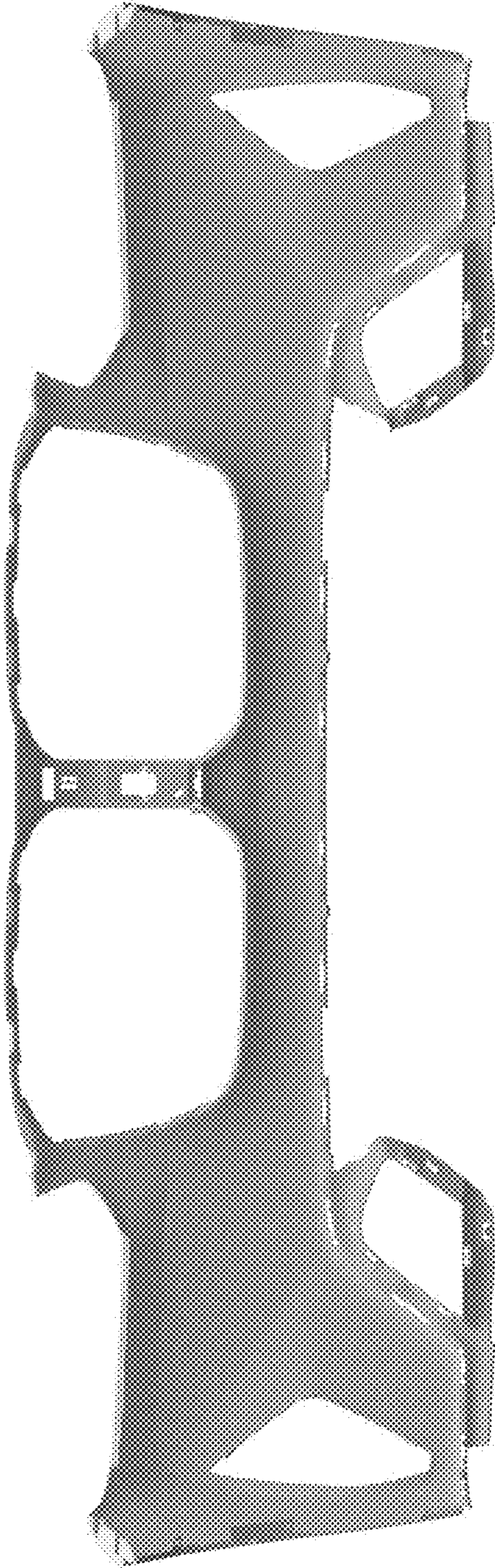


Fig. 8