



US00D971089S

(12) **United States Design Patent** (10) **Patent No.:** **US D971,089 S**  
**Averill** (45) **Date of Patent:** **\*\* Nov. 29, 2022**

(54) **MOTORIZED DISCONNECT ASSEMBLY**

FOREIGN PATENT DOCUMENTS

(71) Applicant: **Warn Automotive, LLC**, Milwaukie, OR (US)

DE 102012210287 A1 12/2013  
DE 102019133100 A1 \* 7/2020

(Continued)

(72) Inventor: **Bryan Averill**, Portland, OR (US)

OTHER PUBLICATIONS

(73) Assignee: **Warn Automotive, LLC**, Milwaukie, OR (US)

“Eaton ELocker Differentials,” JEGS Website, Available Online at <http://www.jegs.com/p/Eaton/Eaton-ELocker-Differentials/1032956/10002/-1>, Available as Early as Jun. 21, 2009, 3 pages.

(\*\*) Term: **15 Years**

(Continued)

(21) Appl. No.: **29/715,477**

(22) Filed: **Dec. 2, 2019**

Primary Examiner — Michael A. Pratt

(74) Attorney, Agent, or Firm — Fish & Richardson P.C.

**Related U.S. Application Data**

(60) Continuation of application No. 16/247,376, filed on Jan. 14, 2019, now Pat. No. 10,801,553, which is a division of application No. 15/488,255, filed on Apr. 14, 2017, now Pat. No. 10,228,026, which is a continuation of application No. 14/678,245, filed on Apr. 3, 2015, now Pat. No. 9,656,548.

(57) **CLAIM**

I claim the ornamental design for a motorized disconnect assembly, as shown and described.

(51) **LOC (13) Cl.** ..... **12-16**

**DESCRIPTION**

(52) **U.S. Cl.**

USPC ..... **D12/160**

(58) **Field of Classification Search**

USPC ..... D12/160; D15/148, 199  
CPC ..... F16D 11/14; F16D 23/12; F16D 28/00;  
F16D 23/04; F16D 2011/002; F16D  
2300/18; F16D 2023/123; B60K 23/08;  
F16H 1/16

See application file for complete search history.

FIG. 1 is a perspective view of an ornamental design for a motorized disconnect assembly in the environment of a motorized disconnect system, according to the present disclosure.

FIG. 2 is a front view of the motorized disconnect assembly of FIG. 1.

FIG. 3 is a first side view of the motorized disconnect assembly of FIG. 1.

FIG. 4 is a rear view of the motorized disconnect assembly of FIG. 1; and,

FIG. 5 is a second side view of the motorized disconnect assembly of FIG. 1.

The solid lines in FIGS. 1-5 illustrate a motorized disconnect assembly according to the present disclosure. The broken lines illustrate the environmental structure and form no part of the claimed design.

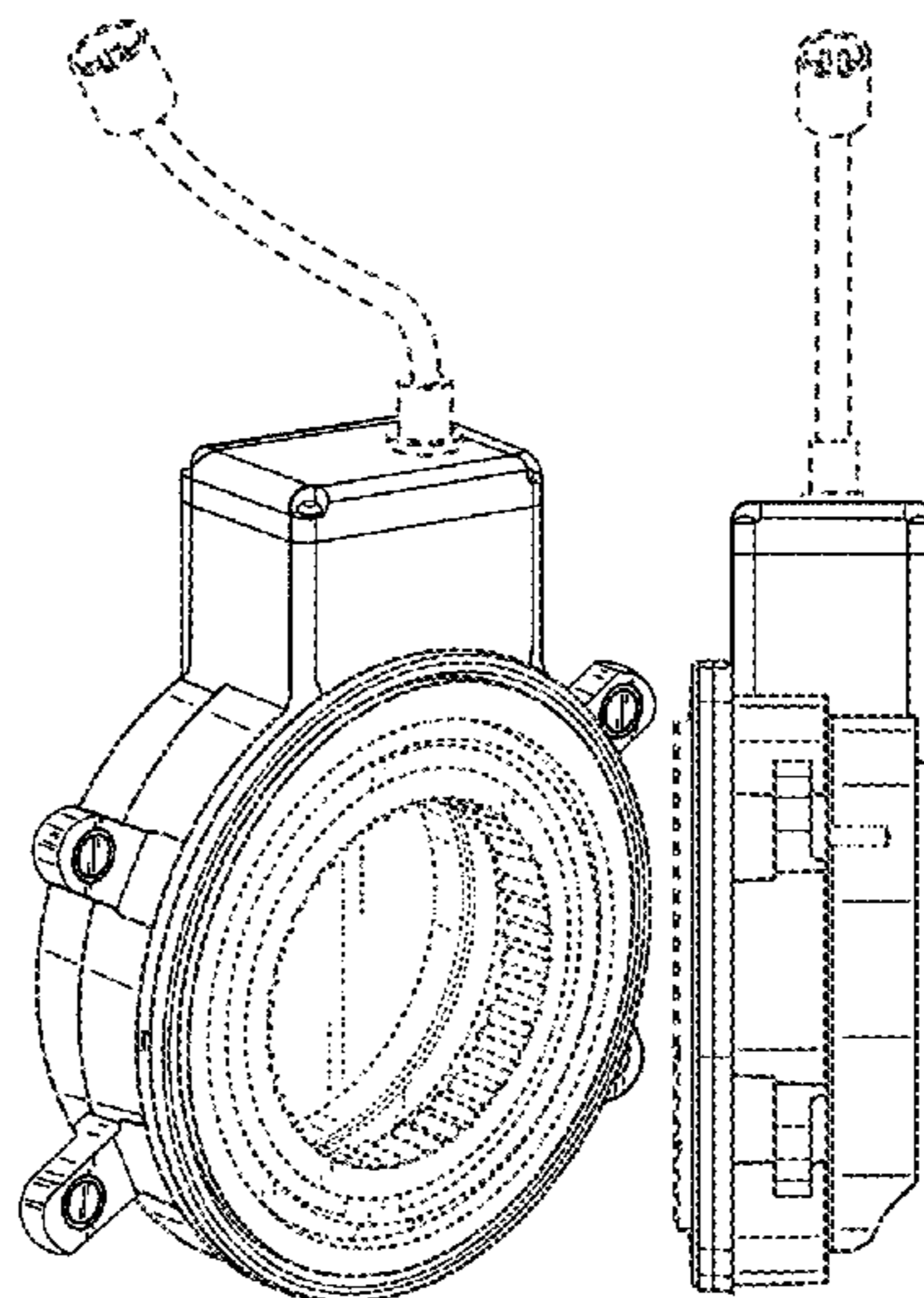
(56) **References Cited**

U.S. PATENT DOCUMENTS

2,766,638 A 10/1956 Vice  
3,348,645 A 10/1967 Sigg  
3,753,479 A 8/1973 Williams  
3,850,274 A 11/1974 McLean  
4,271,722 A 6/1981 Campbell

(Continued)

**1 Claim, 3 Drawing Sheets**



(56)

References Cited

U.S. PATENT DOCUMENTS

4,604,908 A 8/1986 Dolan  
 4,805,472 A 2/1989 Aoki et al.  
 4,811,824 A 3/1989 Kurihara  
 4,836,053 A 6/1989 Eastman et al.  
 4,862,755 A 9/1989 Eastman et al.  
 4,945,780 A 8/1990 Bosma  
 5,099,704 A 3/1992 Williams et al.  
 5,106,351 A 4/1992 Williams et al.  
 5,167,164 A 12/1992 Maekawa et al.  
 5,170,674 A 12/1992 Williams et al.  
 5,394,967 A 3/1995 Bigley  
 5,465,819 A 11/1995 Weiland et al.  
 5,488,817 A 2/1996 Paquet et al.  
 5,520,272 A 5/1996 Ewer et al.  
 5,597,058 A 1/1997 Ewer  
 5,657,667 A 8/1997 Noga et al.  
 5,680,308 A 10/1997 Warren  
 5,699,870 A 12/1997 Warren  
 5,908,080 A 6/1999 Bigley et al.  
 5,966,719 A 10/1999 Okumura  
 5,996,719 A 12/1999 Galli  
 6,082,514 A 7/2000 Averill  
 6,082,515 A 7/2000 Oono et al.  
 6,109,411 A 8/2000 Bigley  
 6,422,369 B1 7/2002 McCalla  
 7,000,750 B2 2/2006 Ewer  
 7,016,776 B2 3/2006 Elie et al.  
 7,178,427 B2\* 2/2007 Christensen ..... H02K 7/116  
 74/424.7  
 7,349,776 B2 3/2008 Spillane et al.  
 7,793,767 B2 9/2010 Heravi et al.  
 7,963,183 B2 6/2011 Pick et al.  
 9,656,548 B2 5/2017 Averill et al.  
 10,228,026 B2 3/2019 Averill et al.  
 D845,843 S\* 4/2019 Inoue ..... D12/160  
 D869,348 S\* 12/2019 Kucharski ..... D12/160  
 10,724,580 B2 7/2020 Averill et al.  
 10,801,553 B2 10/2020 Averill et al.  
 2001/0011622 A1 8/2001 Arai et al.  
 2004/0055404 A1\* 3/2004 Mills ..... F16H 63/18  
 74/337.5  
 2005/0279601 A1 12/2005 Tудay  
 2006/0032721 A1 2/2006 Langwald

2006/0278490 A1 12/2006 Heravi et al.  
 2007/0095628 A1 5/2007 Niederbacher  
 2009/0229392 A1 9/2009 Kim et al.  
 2009/0308710 A1 12/2009 Lai et al.  
 2010/0038165 A1 2/2010 Nyberg et al.  
 2010/0089685 A1 4/2010 Quehenberger et al.  
 2010/0107811 A1 5/2010 McCloy  
 2010/0122884 A1 5/2010 Mizon et al.  
 2010/0200352 A1 8/2010 Williams  
 2012/0021862 A1 1/2012 Isken, II et al.  
 2012/0202636 A1 8/2012 Perakes et al.  
 2013/0146417 A1 6/2013 Lee et al.  
 2013/0334000 A1 12/2013 Gerauer et al.  
 2015/0300418 A1\* 10/2015 Averill ..... B60K 17/344  
 192/20  
 2015/0308519 A1 10/2015 Heravi et al.  
 2015/0321554 A1 11/2015 Oram et al.  
 2017/0234369 A1 8/2017 Averill et al.  
 2019/0145468 A1 5/2019 Averill et al.  
 2020/0018360 A1 1/2020 Averill et al.  
 2020/0247236 A1\* 8/2020 Hirao ..... F16D 11/14  
 2022/0267991 A1\* 8/2022 Dhanal ..... F16D 11/14

FOREIGN PATENT DOCUMENTS

KR 1019850007763 12/1985  
 KR 1020140021669 2/2014  
 WO 2012145580 A1 10/2012  
 WO 2014172274 A1 10/2014  
 WO WO-2022157910 A1\* 7/2022

OTHER PUBLICATIONS

“Air Lockers—ARB: 4x4 Accessories,” ARB USA Website, Available Online at <http://store.arbusa.com/Air-Lockers-C7.aspx>, Available as Early as Aug. 8, 2009, 3 pages.  
 “Performance Differentials—Application Guide,” Eaton Product Catalog, Mar. 2016, 20 pages.  
 Averill, B., “An Ornamental Design for a Motorized Disconnect Assembly,” U.S. Appl. No. 29/715,469, filed Dec. 2, 2019, 6 pages.  
 CN Office Action in Chinese Appln. No. 201510182082.0, dated Dec. 29, 2016, 12 pages (with English Translation).  
 KR Office Action in Korean Appln. No. 10-2015-0052419, dated May 4, 2016, 5 pages (with English Translation).

\* cited by examiner

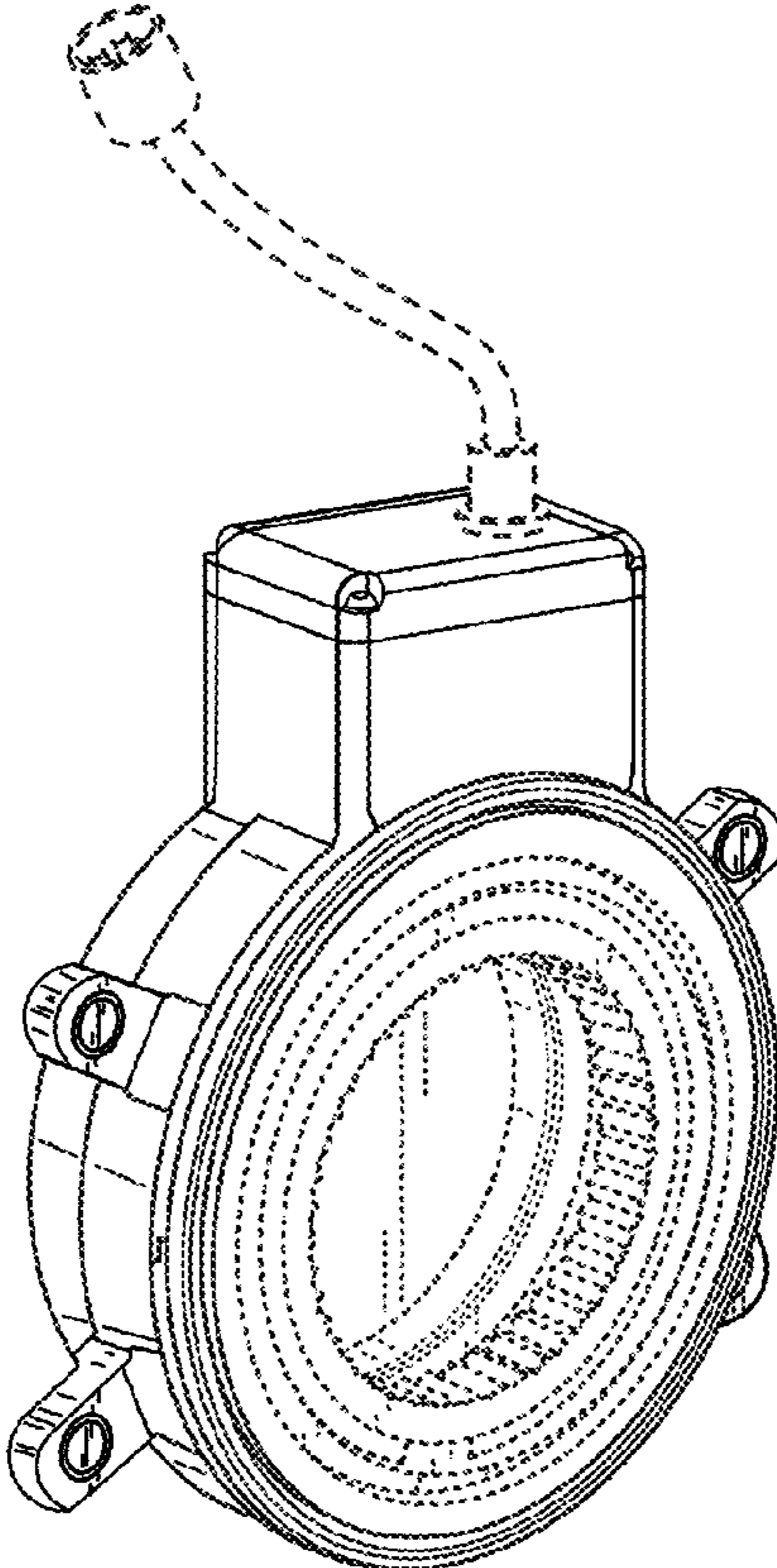


FIG. 1

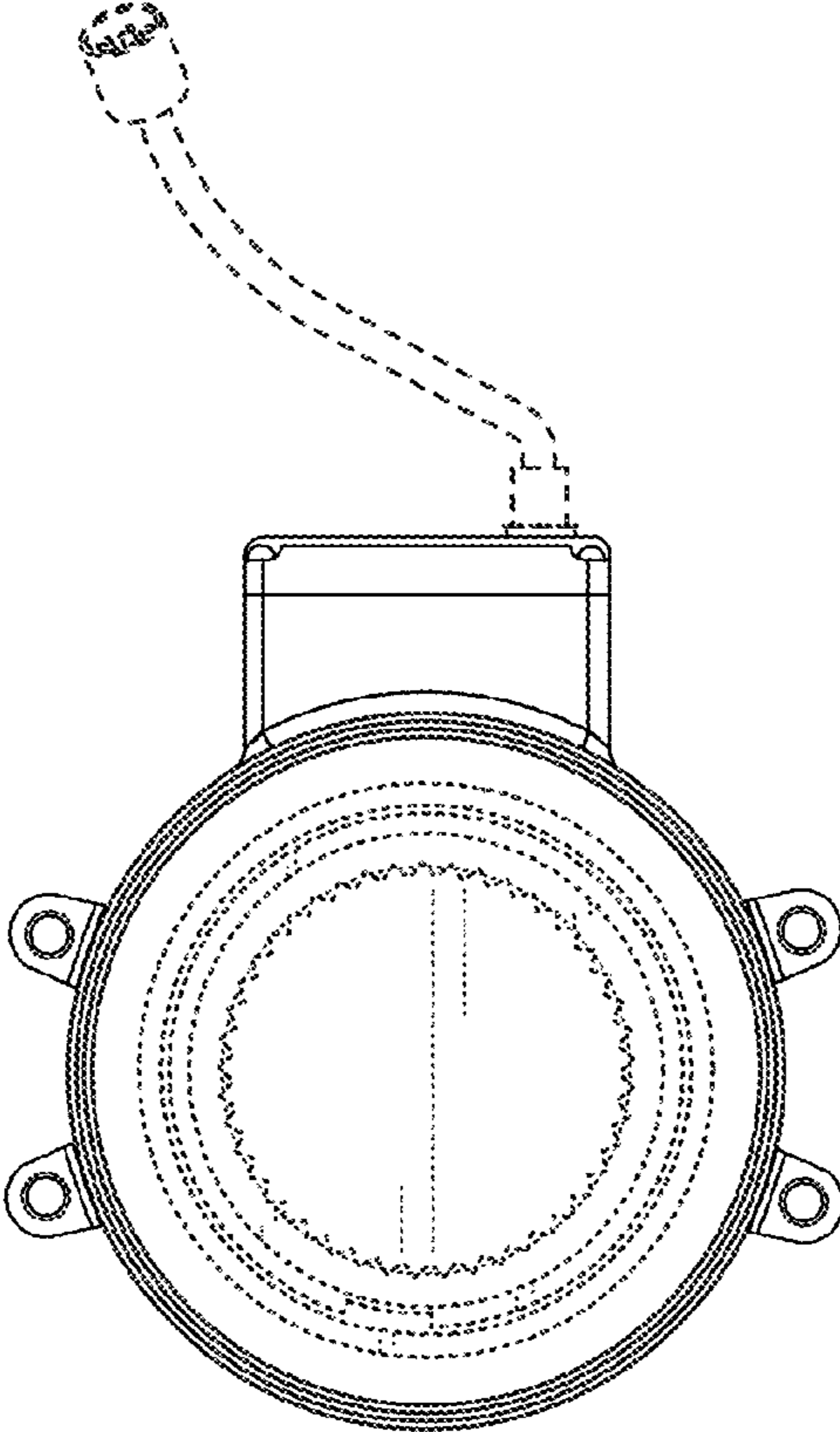


FIG. 2

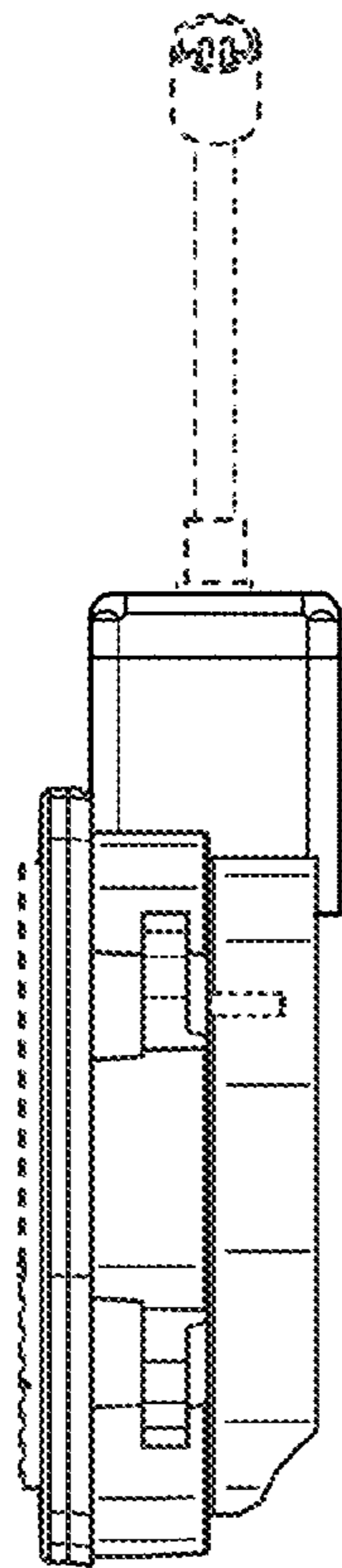


FIG. 3

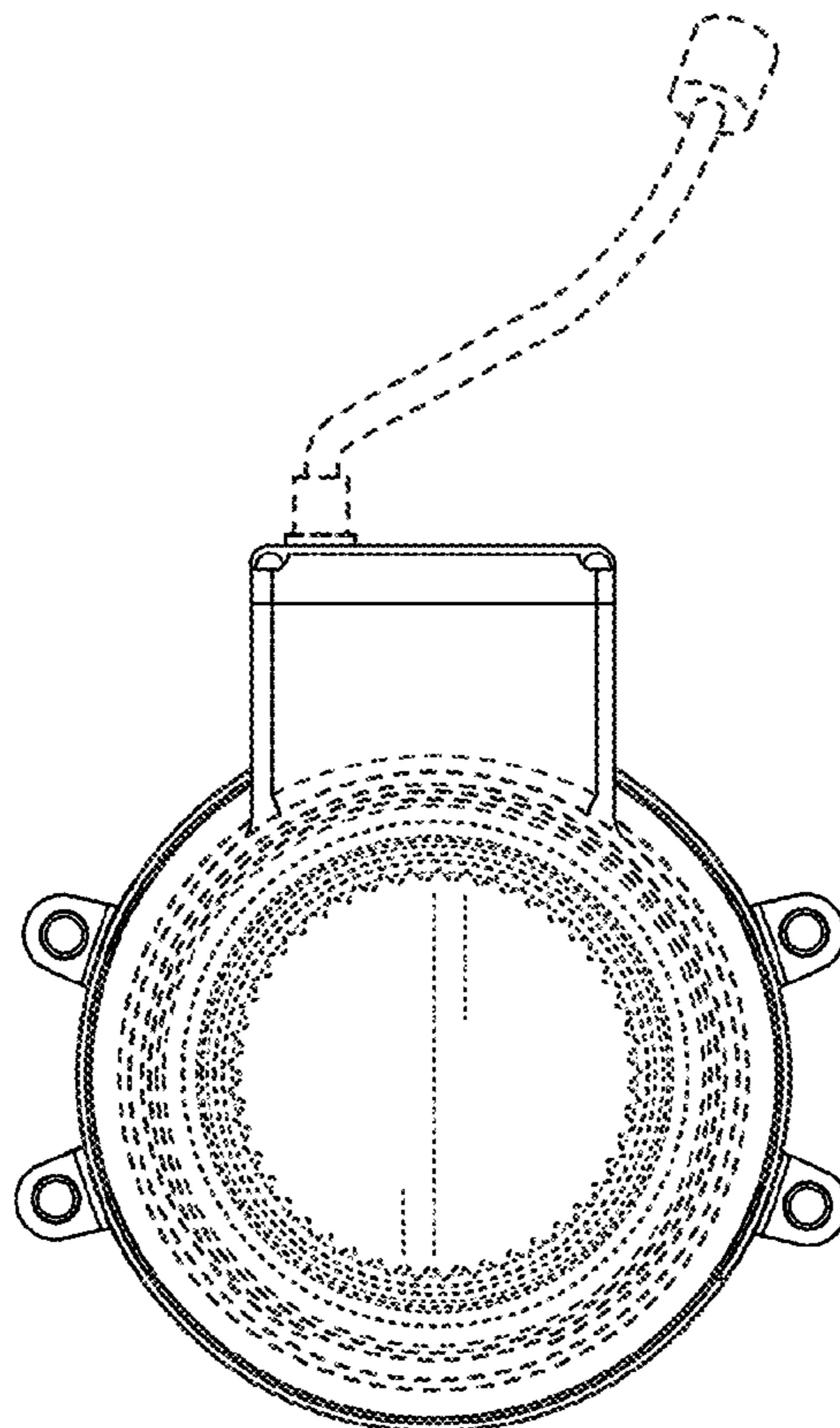


FIG. 4

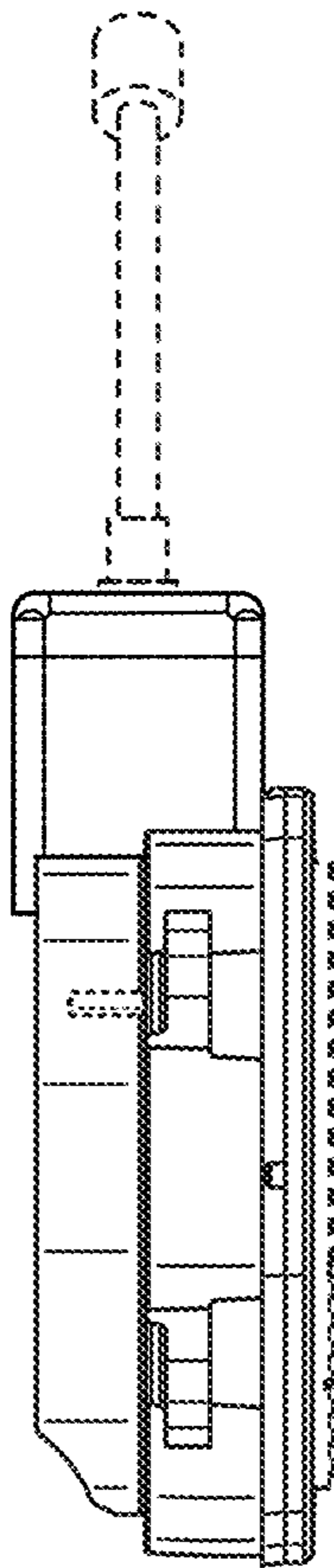


FIG. 5