



US00D971087S

(12) **United States Design Patent** (10) **Patent No.:** **US D971,087 S**
Wei (45) **Date of Patent:** **** Nov. 29, 2022**

(54) **FOLDING WALKER**
(71) Applicant: **MAILI CREATION TECHNOLOGY (SHENZHEN) CO., LTD.**, Shenzhen (CN)
(72) Inventor: **Jianying Wei**, Guangzhou (CN)
(73) Assignee: **MAILI CREATION TECHNOLOGY (SHENZHEN) CO., LTD.**, Shenzhen (CN)

2005/0005959 A1* 1/2005 Diamond A61H 3/00 135/67
2011/0272913 A1* 11/2011 Diamond A61H 3/04 280/288.2
2013/0319488 A1* 12/2013 Chiu A61H 3/00 135/69
2014/0109943 A1* 4/2014 Fang A61H 3/00 135/67
2017/0151121 A1* 6/2017 Smed A61H 3/04
(Continued)

(**) Term: **15 Years**
(21) Appl. No.: **29/813,487**
(22) Filed: **Oct. 29, 2021**
(51) **LOC (13) Cl.** **12-12**
(52) **U.S. Cl.**
USPC **D12/130**
(58) **Field of Classification Search**
USPC D12/128, 129, 130, 131, 132, 133
CPC A61H 3/00; A61H 3/04; A61H 2003/001; A61H 2003/002; A61H 2003/003; A61H 2003/004; A61H 2003/005; A61H 2003/006; A61H 2003/007; A61H 2003/043; A61H 2003/046
See application file for complete search history.

OTHER PUBLICATIONS

GreenChief, Published Aug. 9, 2021 [online], [retrieved on Aug. 19, 2022]. Retrieved from the Internet: <https://www.amazon.com/GreenChief-Adjustable-Standard-Lightweight-Disabled/dp/B09C5VTX1C> (Year: 2021).*

Primary Examiner — Cary M Robinson
Assistant Examiner — Adam C Mager

(56) **References Cited**

U.S. PATENT DOCUMENTS

3,688,789 A * 9/1972 Bunch A61H 3/00 297/42
4,461,471 A * 7/1984 Brastow A61H 3/04 482/68
4,800,910 A * 1/1989 Gamm A61H 3/04 D12/130
5,529,425 A * 6/1996 Spies A61H 3/00 403/321
D475,323 S 6/2003 Hallgrimsson
D479,164 S 9/2003 Wu
10,426,690 B2* 10/2019 Tsai A61H 1/00

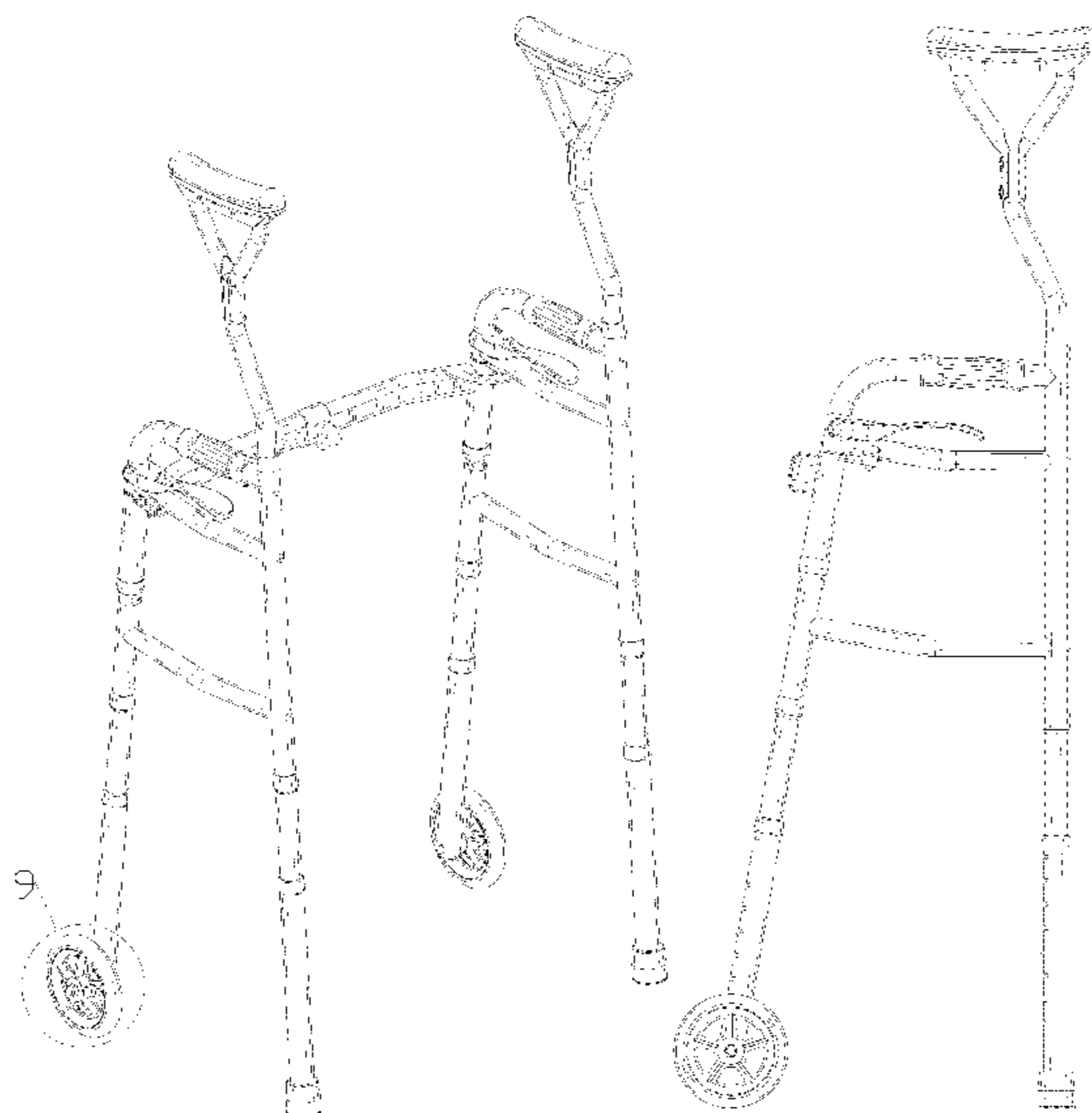
(57) **CLAIM**

The ornamental design for a folding walker, as shown and described.

DESCRIPTION

FIG. 1 is a perspective view of a folding walker showing my new design;
FIG. 2 is another perspective view thereof;
FIG. 3 is a front elevational view thereof;
FIG. 4 is a rear elevational view thereof;
FIG. 5 is a left side elevational view thereof;
FIG. 6 is a right side elevational view thereof;
FIG. 7 is a top plan view thereof;
FIG. 8 is a bottom plan view thereof; and,
FIG. 9 is an enlarged view of portion 9 shown in FIG. 1. The dash-dash broken lines in the drawings depict portions of the folding walker that form no part of the claimed design. The dot-dash broken lines represent the boundary of the enlarged portion and form no part of the claimed design.

1 Claim, 9 Drawing Sheets



(56)

References Cited

U.S. PATENT DOCUMENTS

2020/0078255 A1* 3/2020 Mass A61H 3/00
2020/0179214 A1* 6/2020 Liu A61H 3/00

* cited by examiner

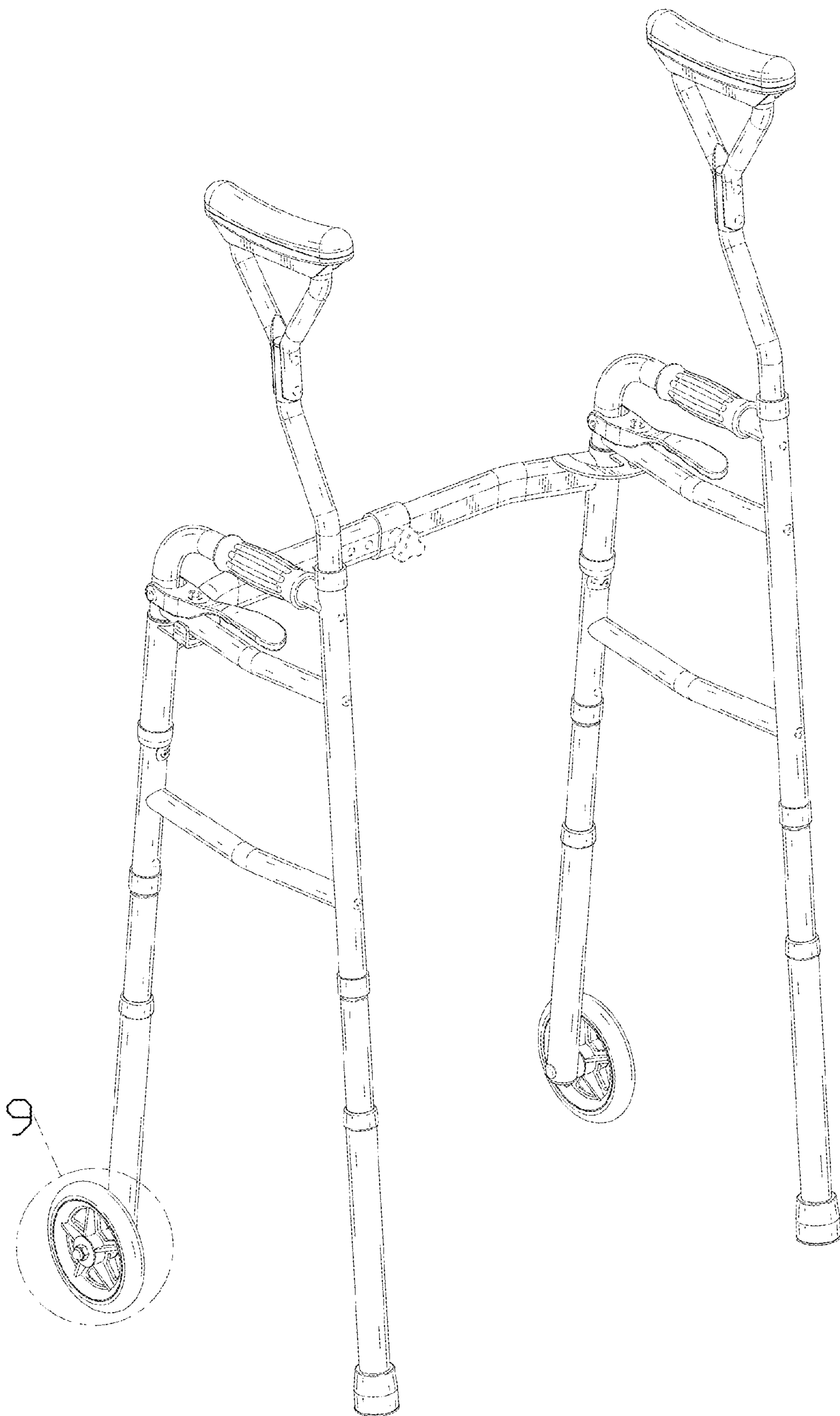


FIG. 1

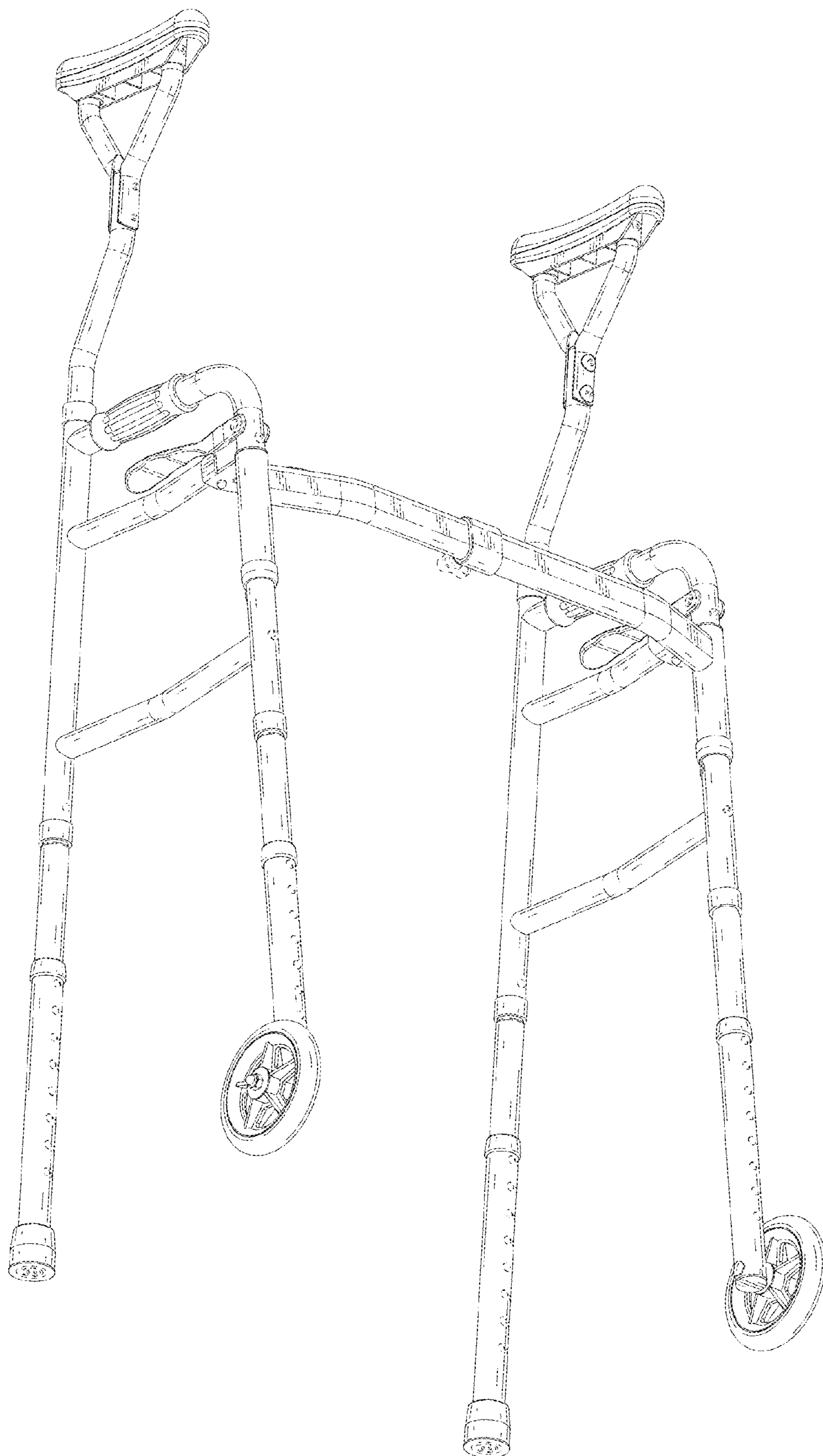


FIG. 2

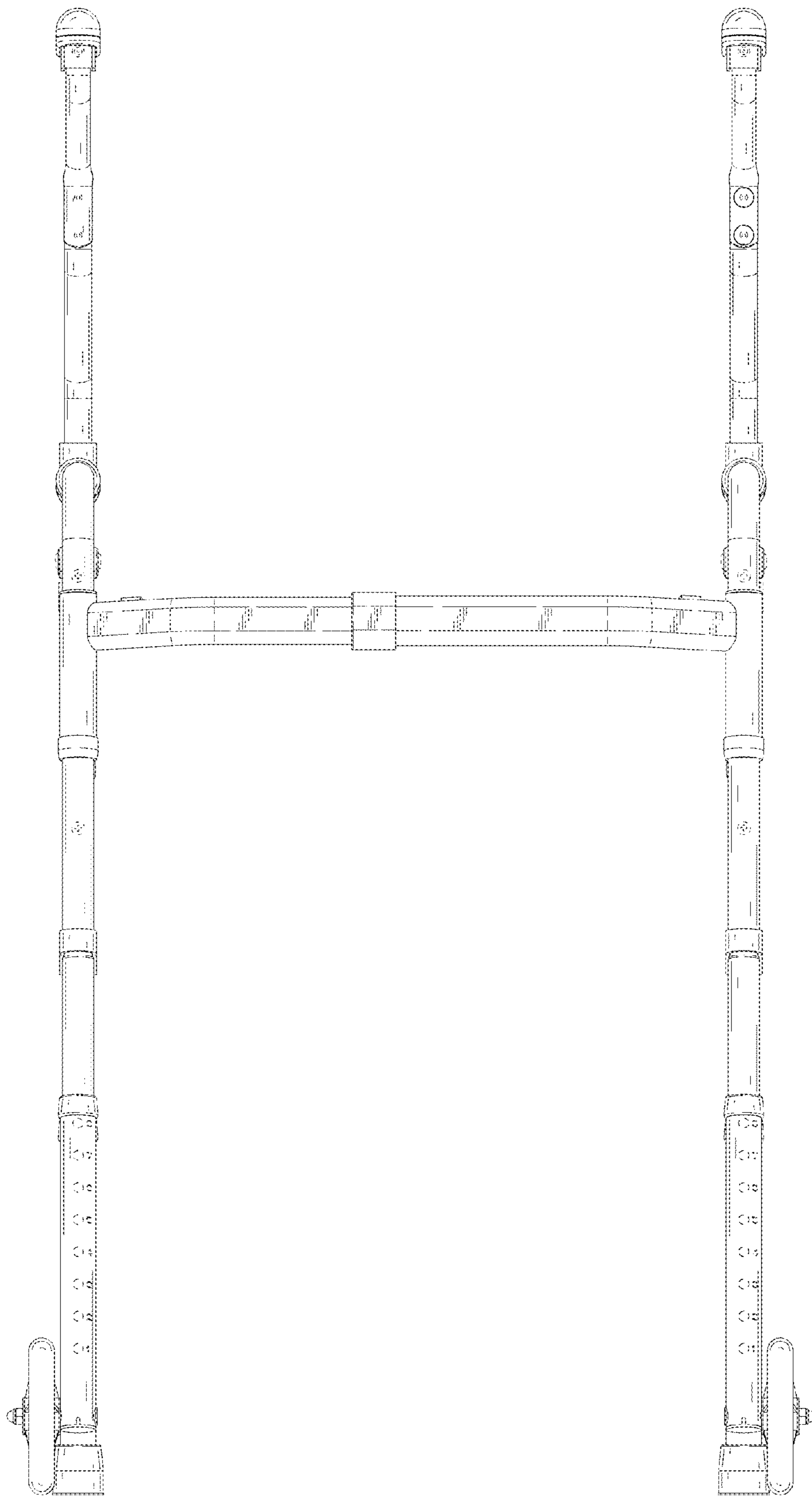


FIG. 3

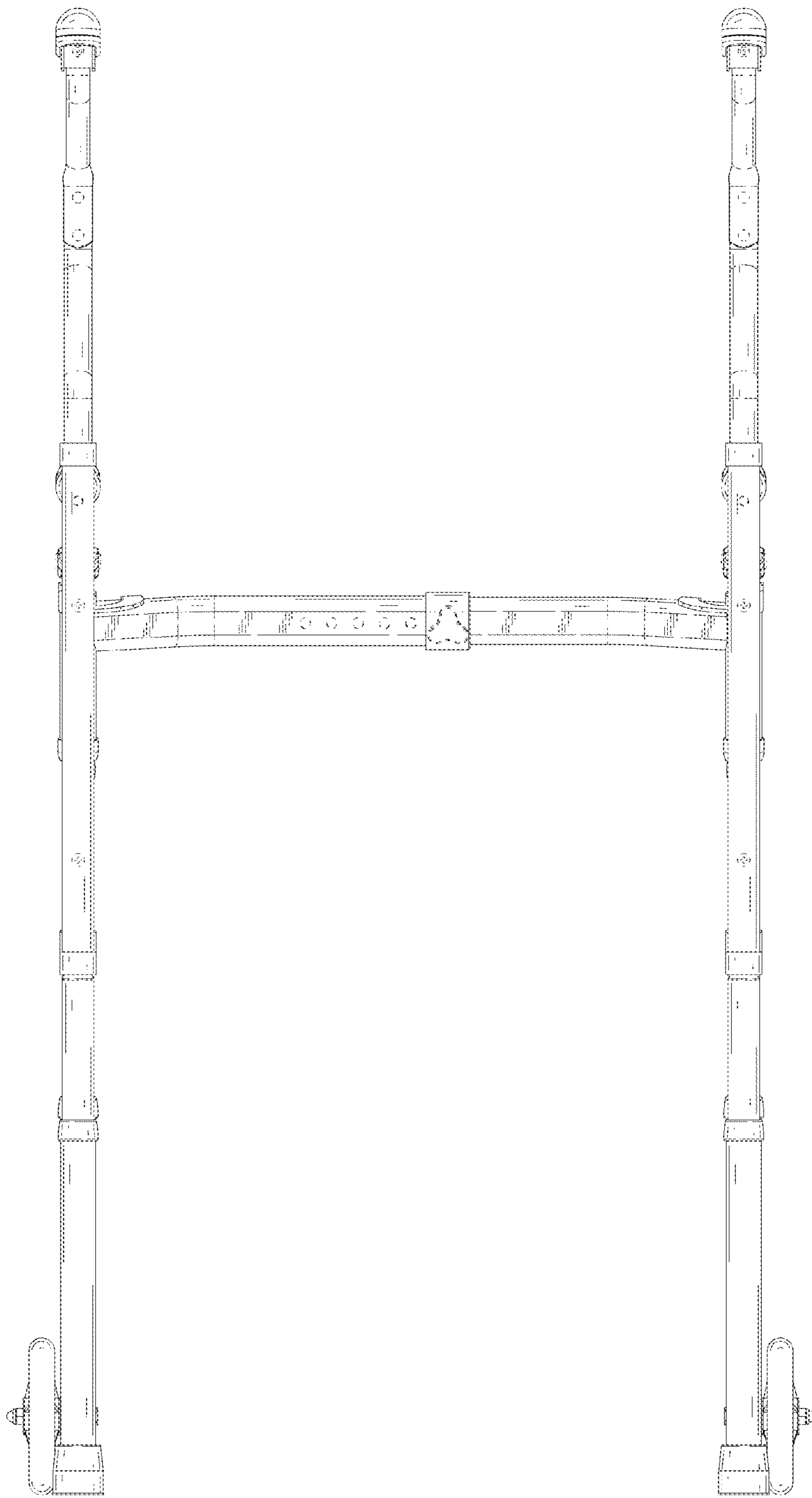


FIG. 4

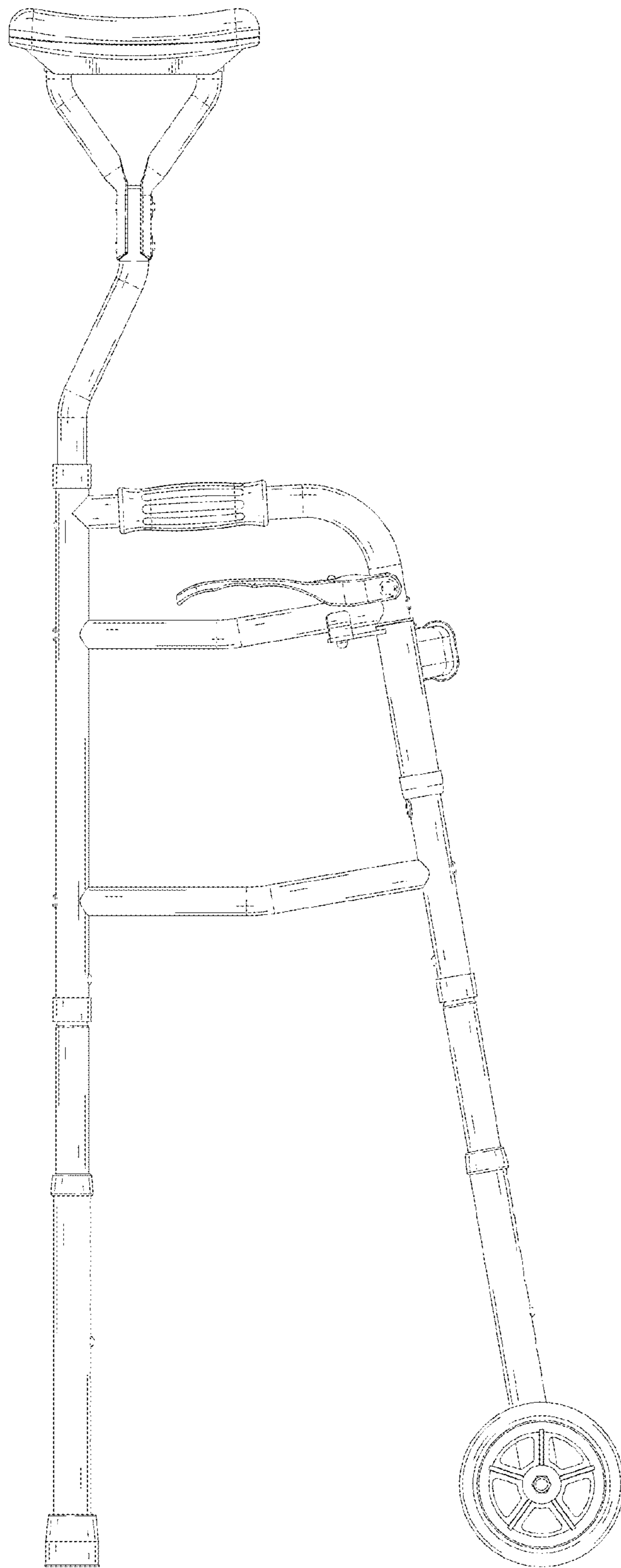


FIG. 5

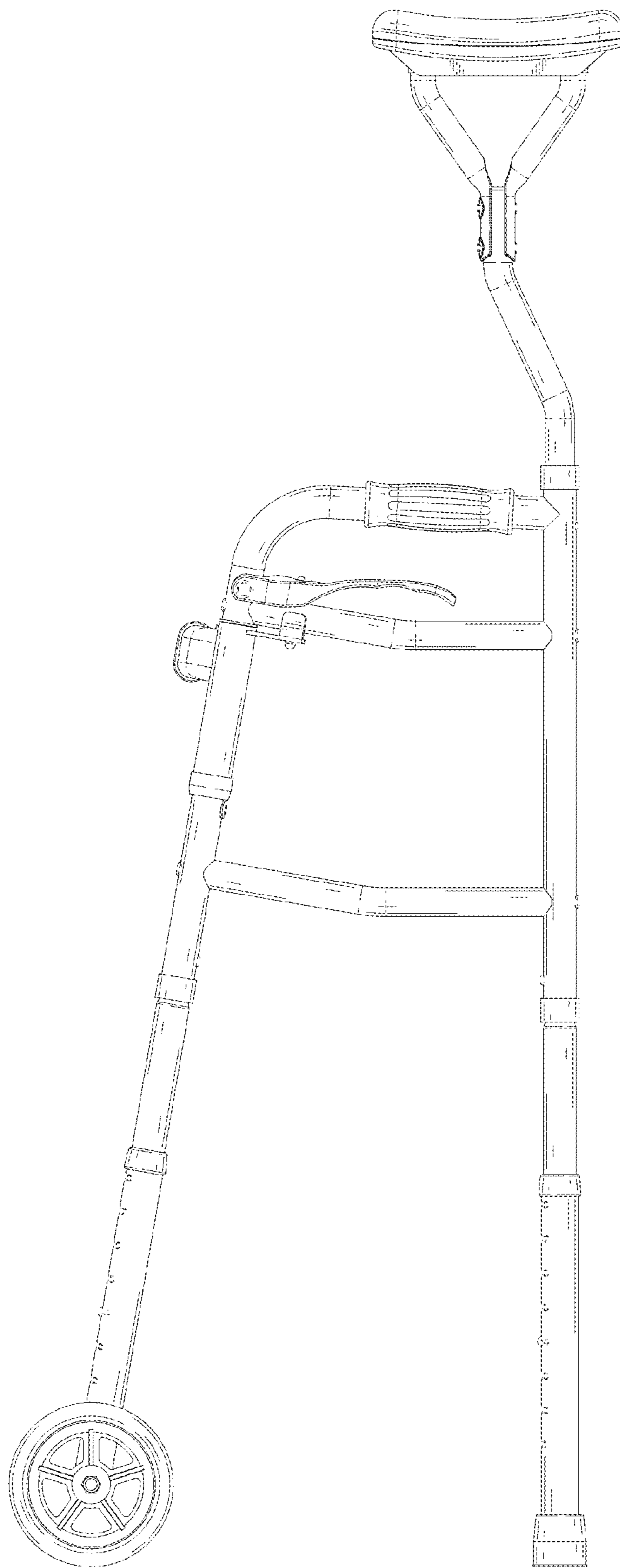


FIG. 6

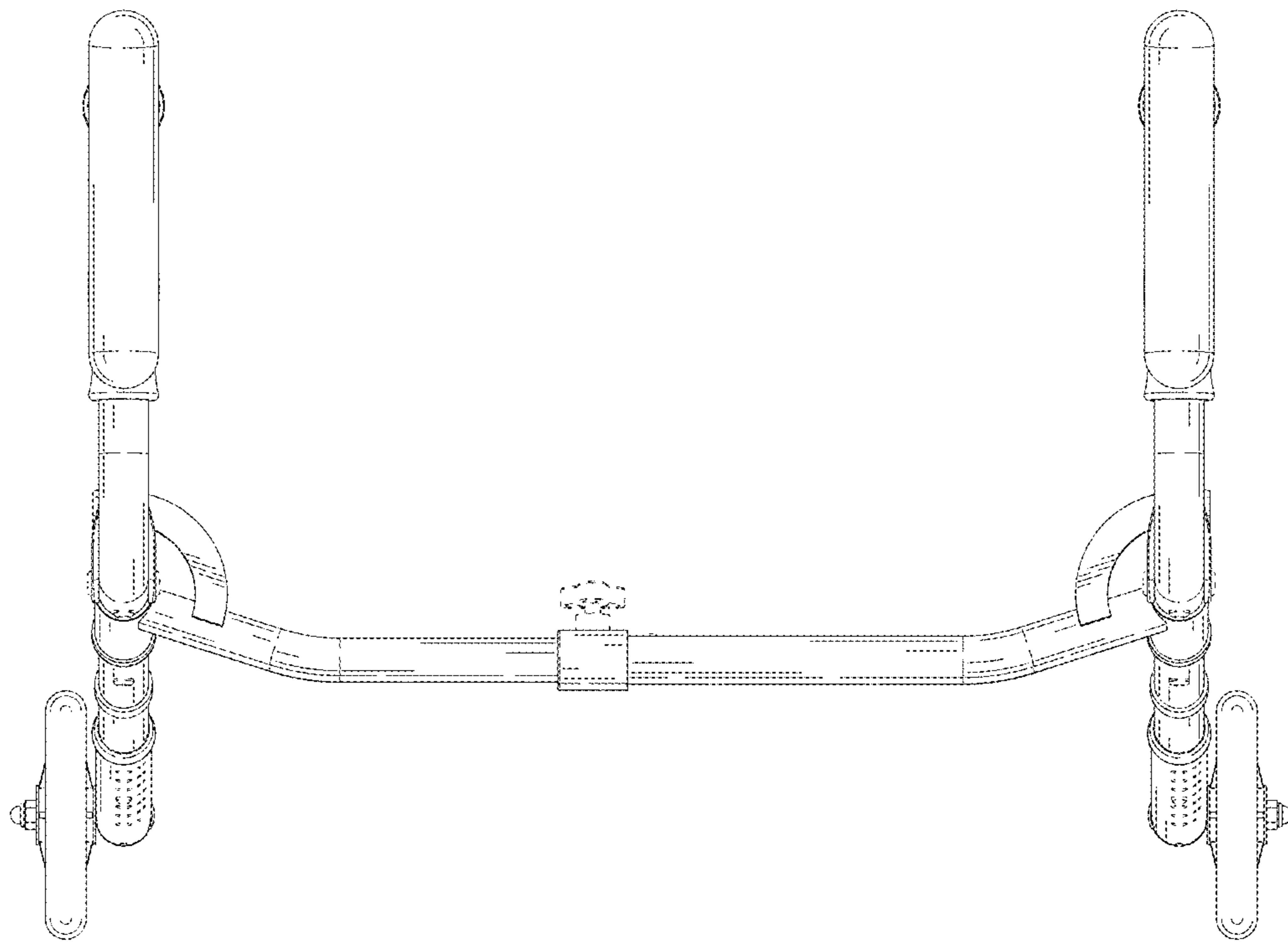


FIG. 7

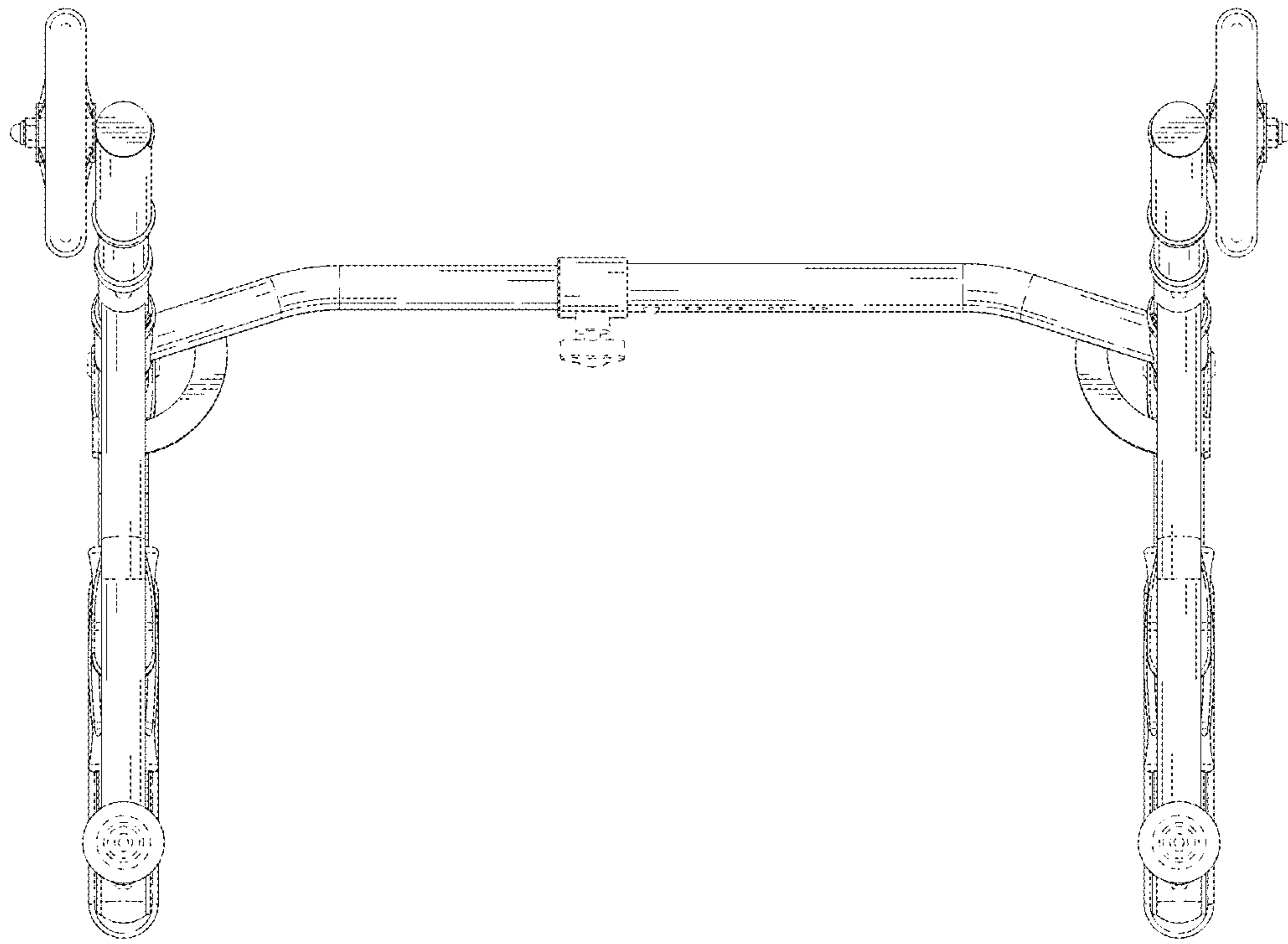


FIG. 8

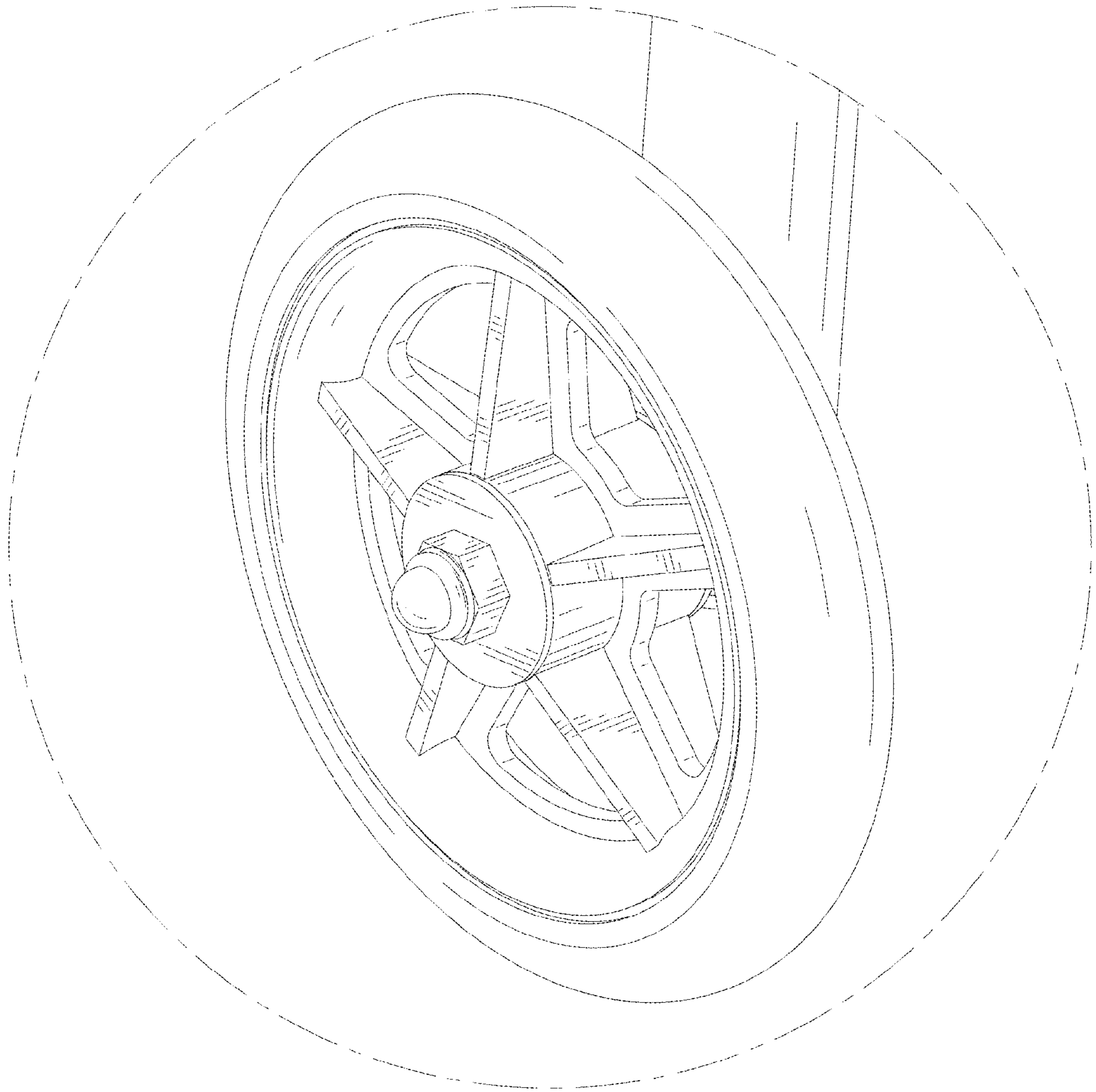


FIG. 9