



US00D971084S

(12) **United States Design Patent** (10) **Patent No.:** **US D971,084 S**
Peng (45) **Date of Patent:** **** Nov. 29, 2022**

(54) **ELECTRIC BICYCLE**

(71) Applicant: **Guangwen Peng**, Xiangxi Tujia and Miao (CN)

(72) Inventor: **Guangwen Peng**, Xiangxi Tujia and Miao (CN)

(**) Term: **15 Years**

(21) Appl. No.: **29/815,453**

(22) Filed: **Nov. 15, 2021**

(51) **LOC (13) Cl.** **12-11**

(52) **U.S. Cl.**
USPC **D12/111**

(58) **Field of Classification Search**
USPC D12/1, 107, 110, 111, 114, 117;
D21/412, 414, 419, 423, 424, 425, 426,
D21/427, 428, 431, 432, 433, 434, 435
CPC . B62K 3/00; B62K 3/002; B62K 3/02; B62K
3/04; B62K 3/06; B62K 3/10
See application file for complete search history.

(56) **References Cited**

U.S. PATENT DOCUMENTS

- D473,495 S * 4/2003 Niitsu D12/111
- 6,623,023 B2 * 9/2003 Niitsu B62K 15/008
280/278
- D498,438 S * 11/2004 Ying D12/111
- D903,532 S * 12/2020 Ma D12/111
- D909,920 S * 2/2021 Zhu D12/111
- D924,732 S * 7/2021 Lin D12/111
- D925,404 S * 7/2021 Lin D12/111
- D925,405 S * 7/2021 Lin D12/111
- D929,269 S * 8/2021 Chen
- D952,521 S * 5/2022 Wang D12/111

(Continued)

OTHER PUBLICATIONS

Jasion, Published Mar. 20, 2022 [online], [retrieved on Aug. 26, 2022]. Retrieved from the Internet: <https://www.amazon.com/Jasion-EB7-Electric-Removable-Foldable/dp/B09VH12BC4> (Year: 2022).*

Primary Examiner — Cary M Robinson
Assistant Examiner — Adam C Mager

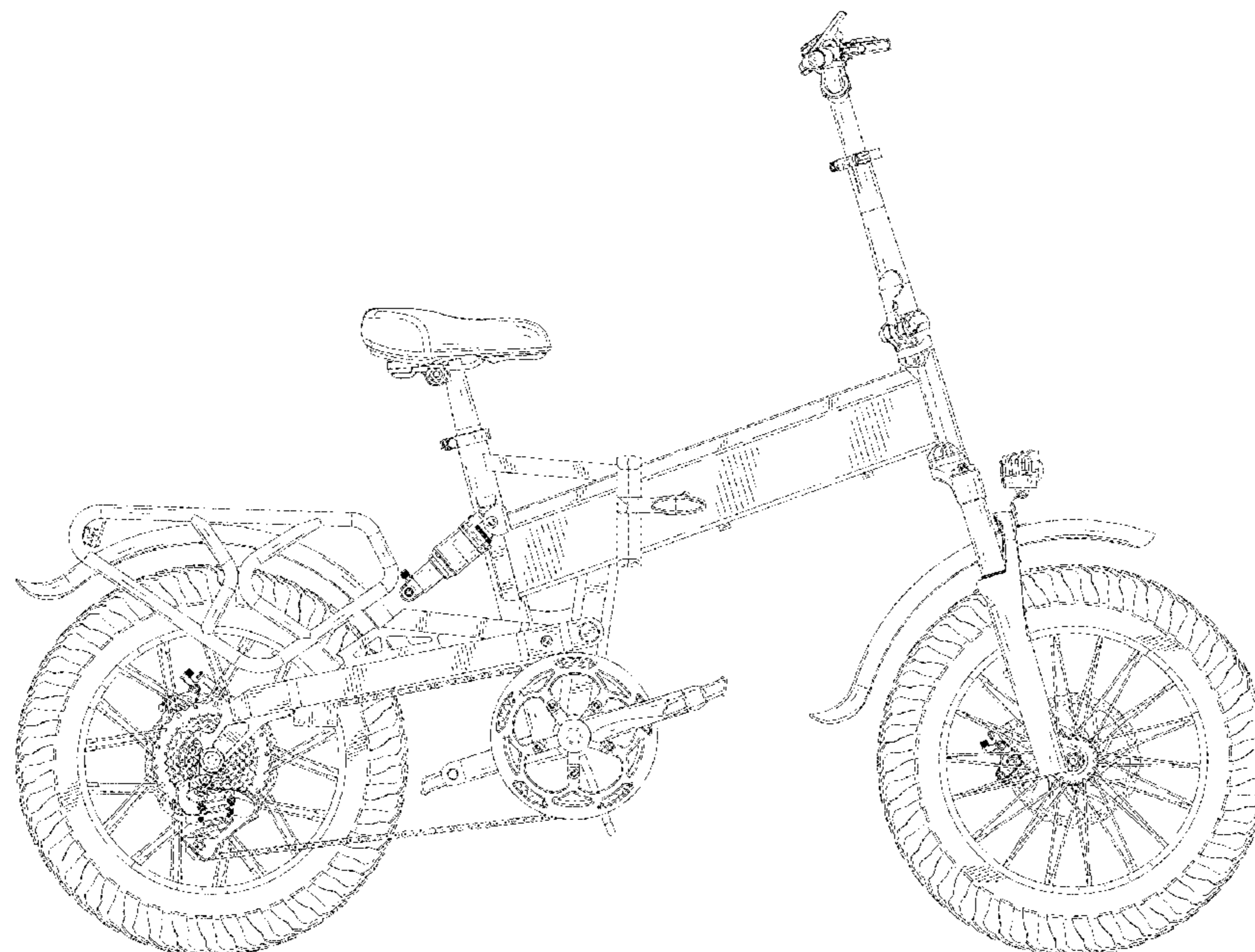
(57) **CLAIM**

The ornamental design for an electric bicycle, as shown and described.

DESCRIPTION

FIG. 1 is a perspective view of an electric bicycle showing my new design;
 FIG. 2 is another perspective view thereof;
 FIG. 3 is a front elevational view thereof;
 FIG. 4 is a rear elevational view thereof;
 FIG. 5 is a left side elevational view thereof;
 FIG. 6 is a right side elevational view thereof;
 FIG. 7 is a top plan view thereof;
 FIG. 8 is a bottom plan view thereof;
 FIG. 9 is an enlarged view of portion 9 shown in FIG. 1;
 FIG. 10 is an enlarged view of portion 10 shown in FIG. 1;
 FIG. 11 is an enlarged view of portion 11 shown in FIG. 1;
 FIG. 12 is an enlarged view of portion 12 shown in FIG. 1;
 FIG. 13 is an enlarged view of portion 13 shown in FIG. 1;
 FIG. 14 is an enlarged view of portion 14 shown in FIG. 2;
 FIG. 15 is an enlarged view of portion 15 shown in FIG. 2;
 and,
 FIG. 16 is an enlarged view of portion 16 shown in FIG. 2.
 The dash-dash broken lines in the drawings depict portions of the electric bicycle that form no part of the claimed design. The dot-dash broken lines represent boundaries of the enlarged portions and form no part of the claimed design.

1 Claim, 16 Drawing Sheets



(56)

References Cited

U.S. PATENT DOCUMENTS

D953,936 S * 6/2022 Zhu D12/111
D958,008 S * 7/2022 Zeng D12/111
D960,769 S * 8/2022 Chen D12/111

* cited by examiner

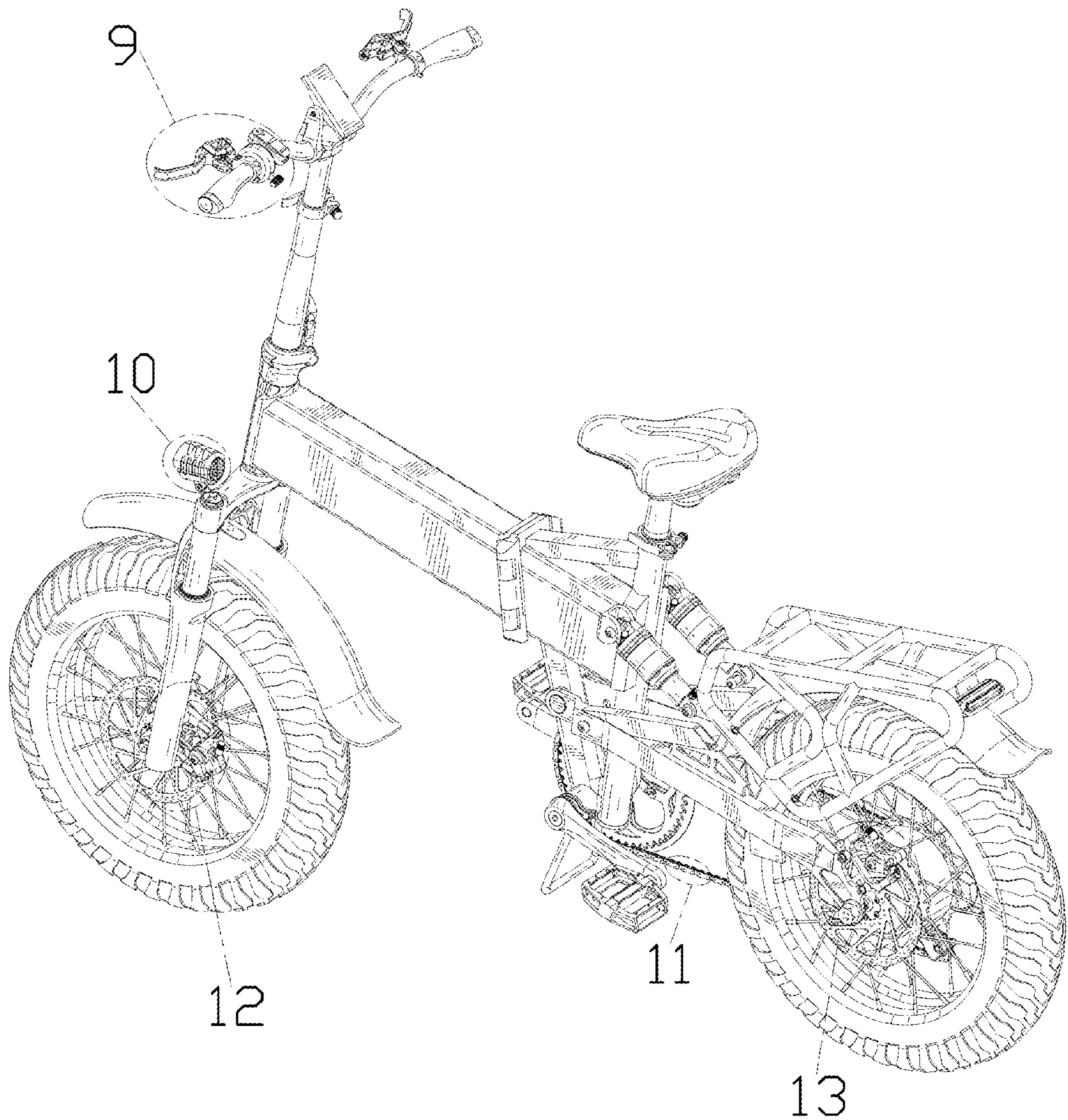


FIG. 1

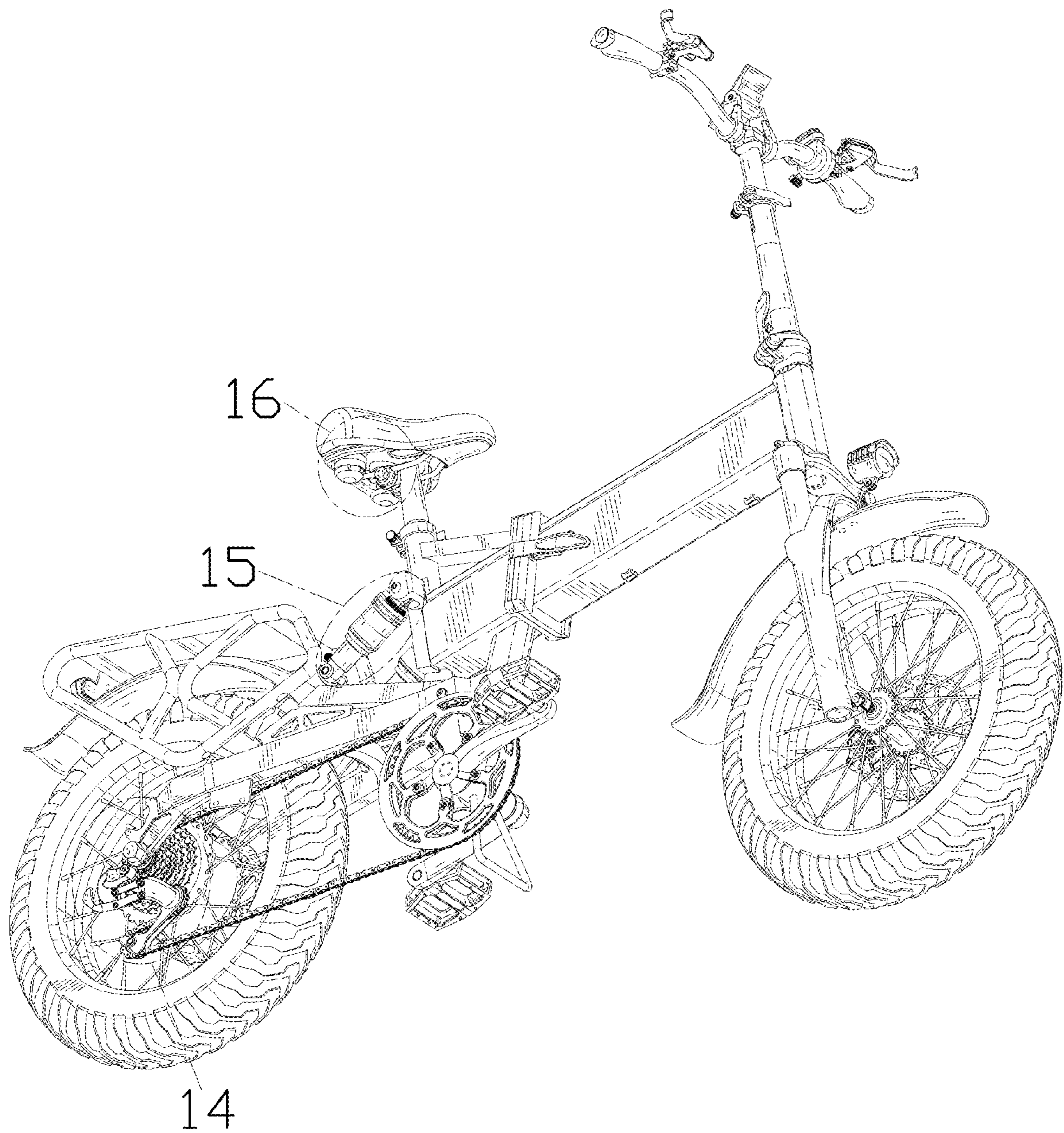


FIG. 2

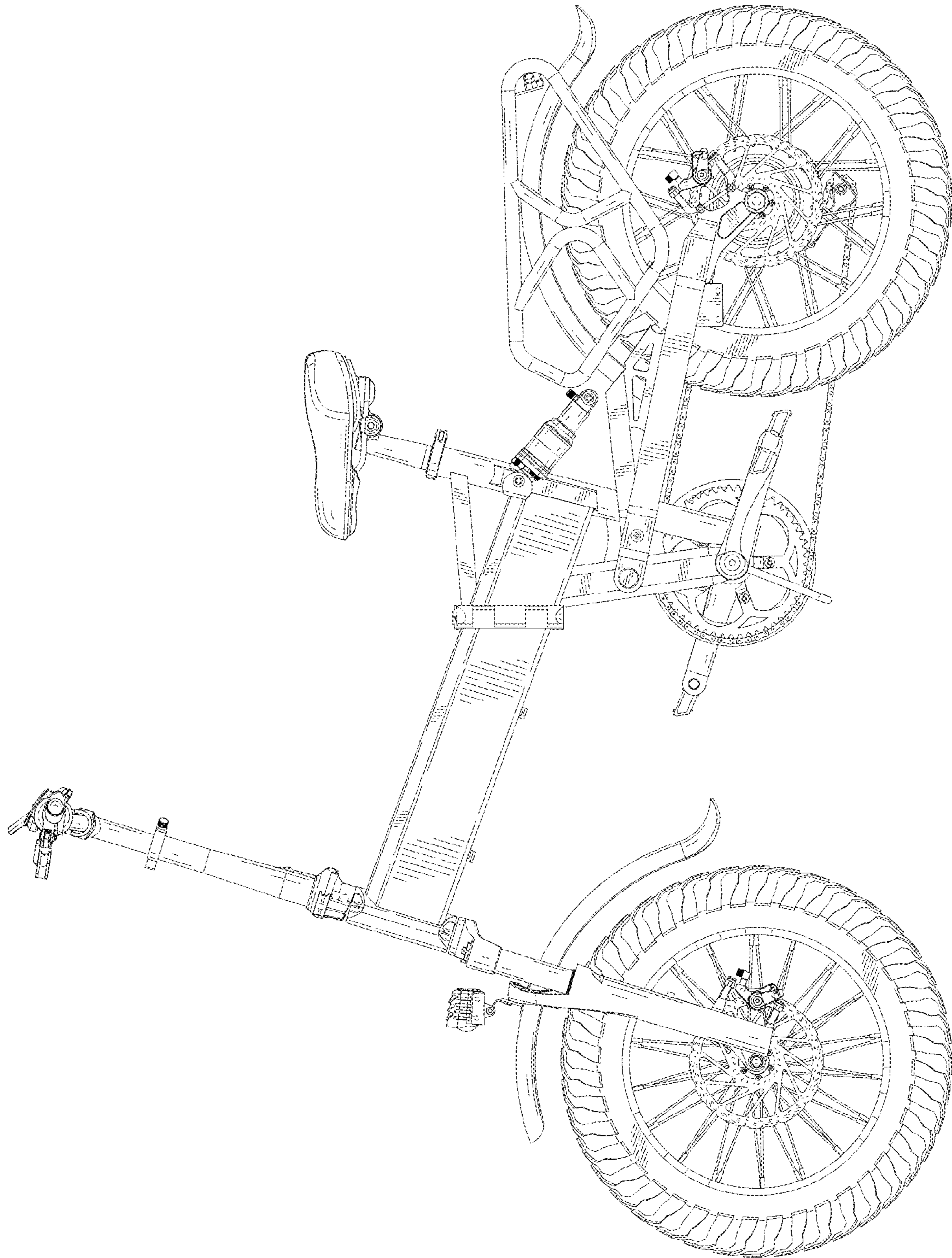


FIG. 3

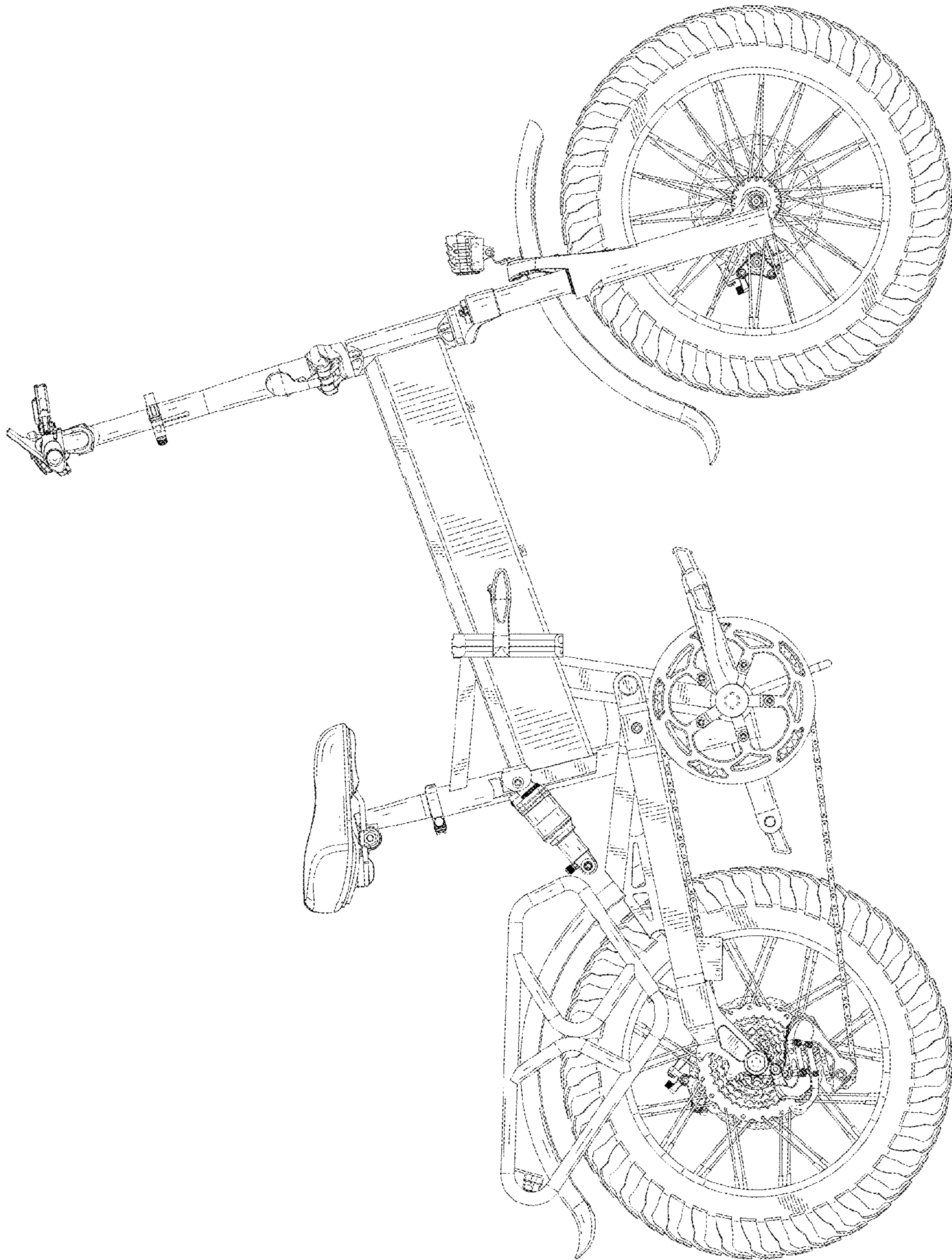


FIG. 4

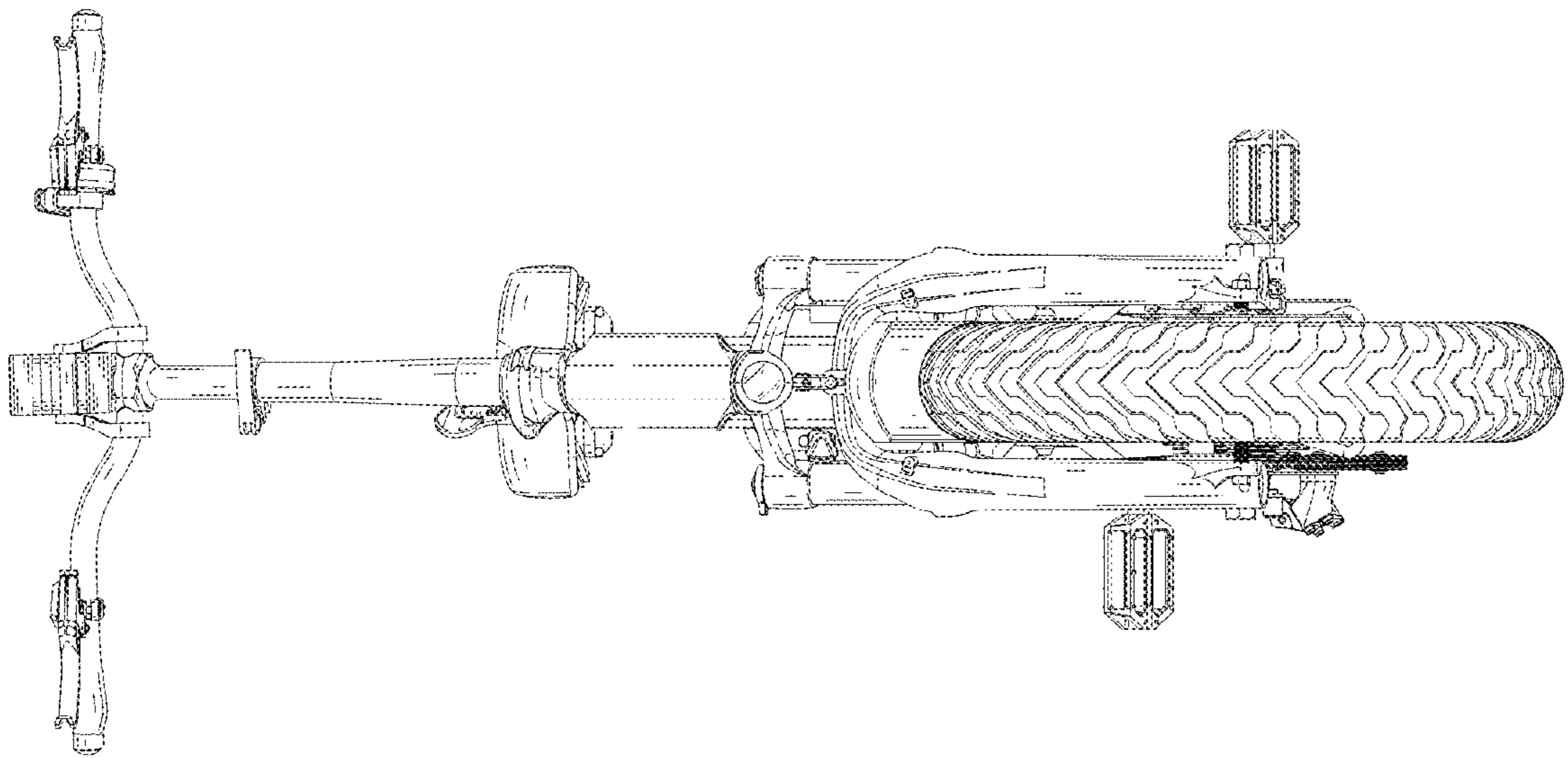


FIG. 5

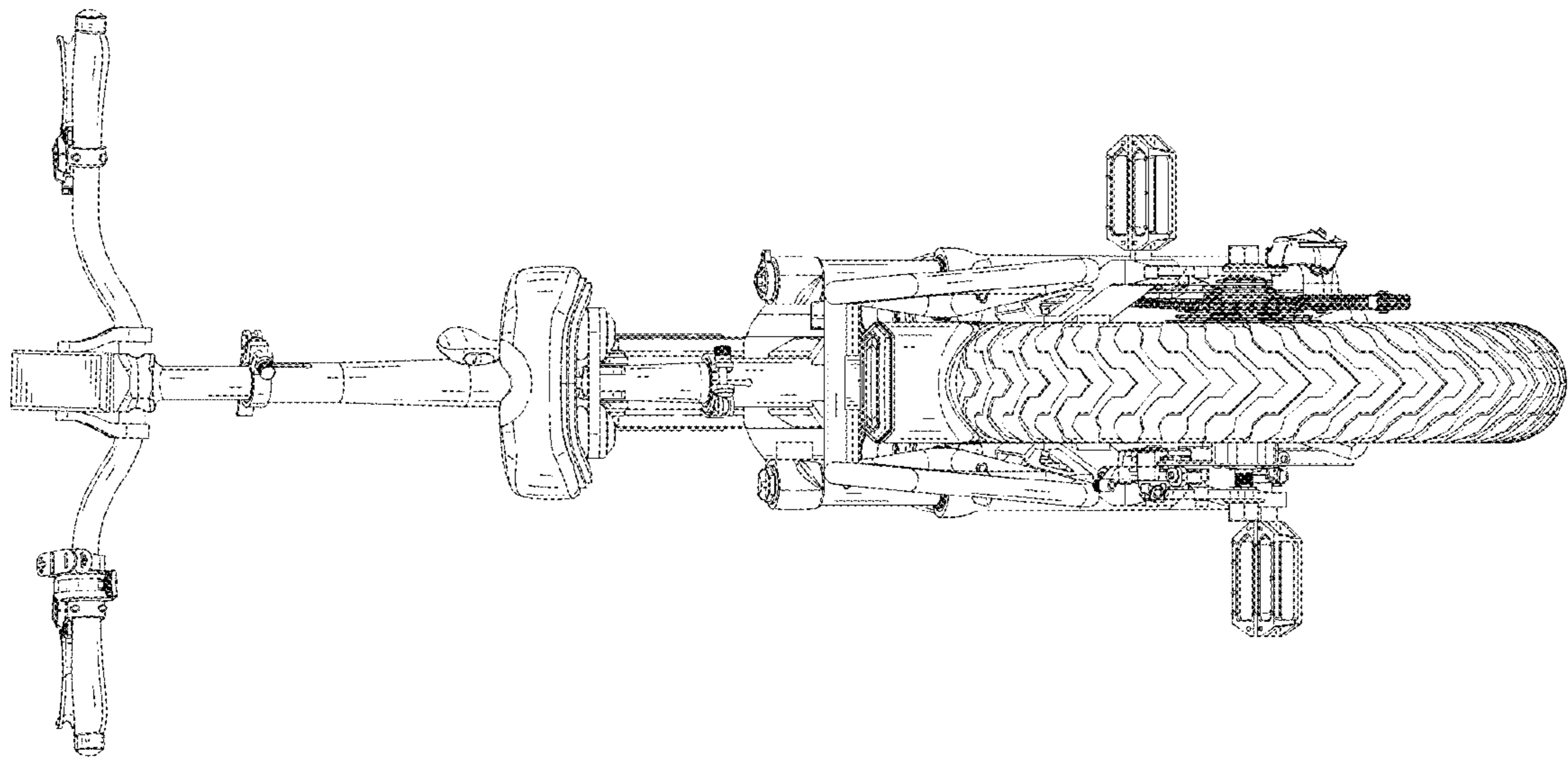


FIG. 6

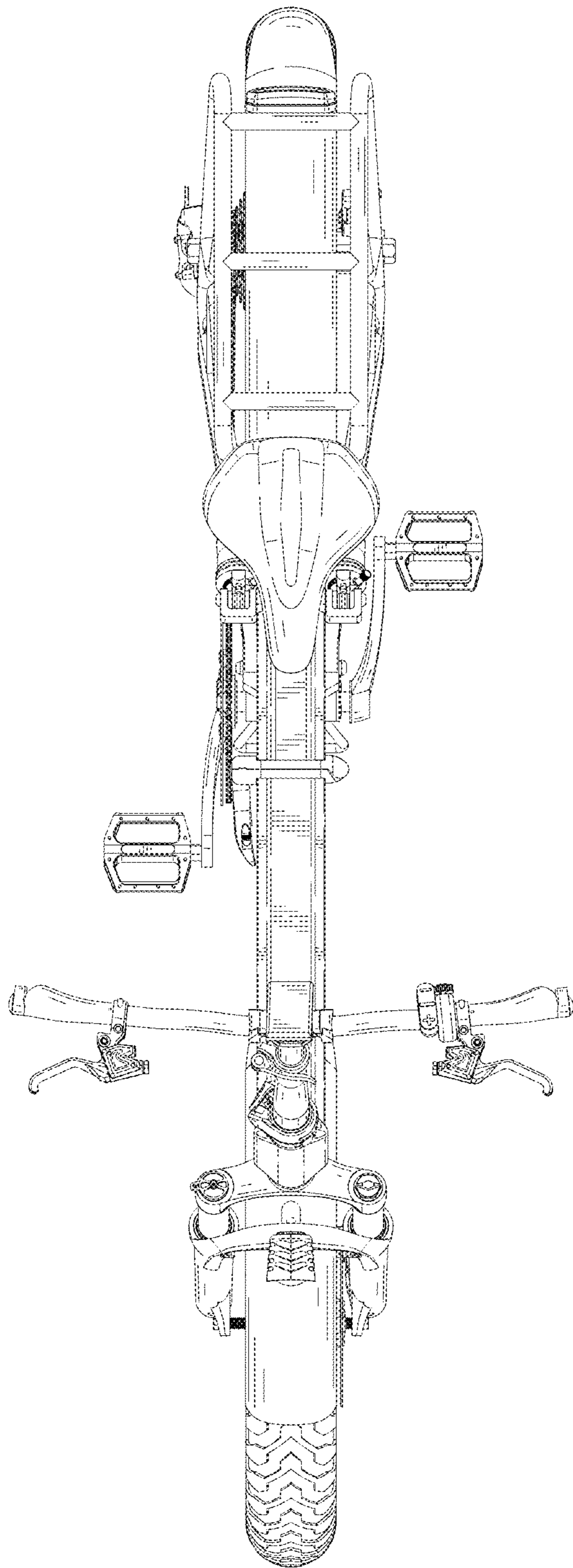


FIG. 7

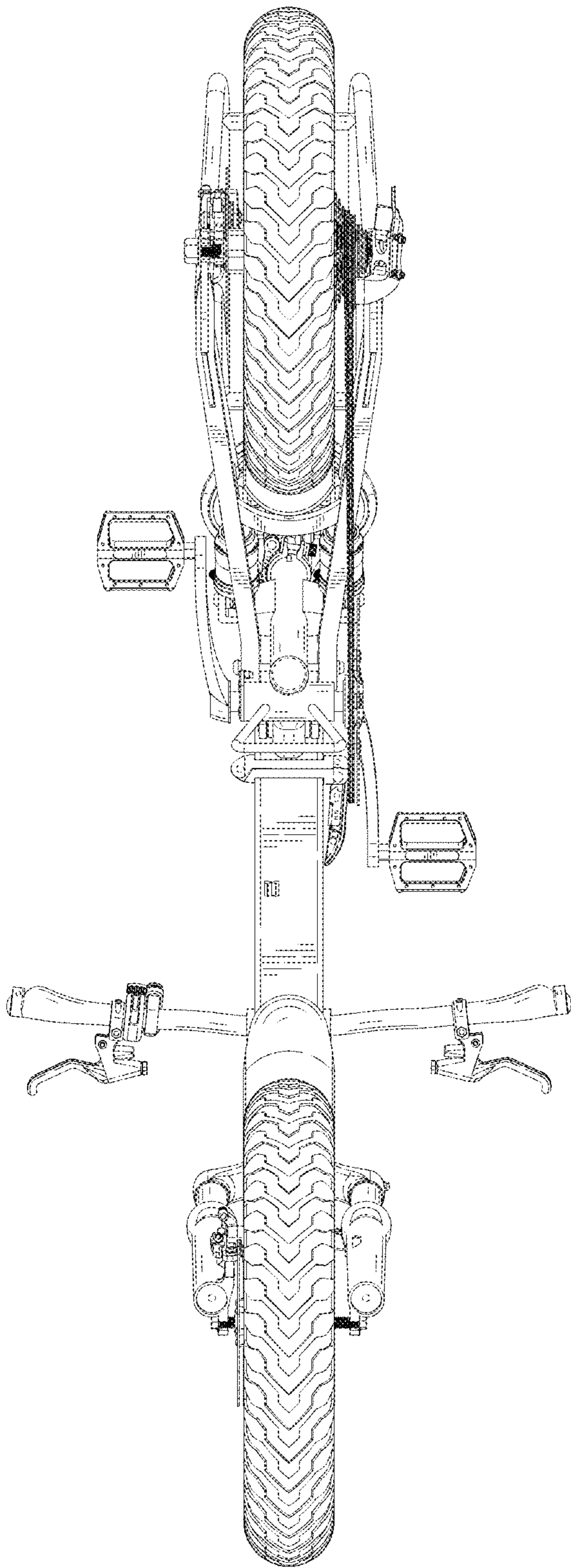


FIG. 8

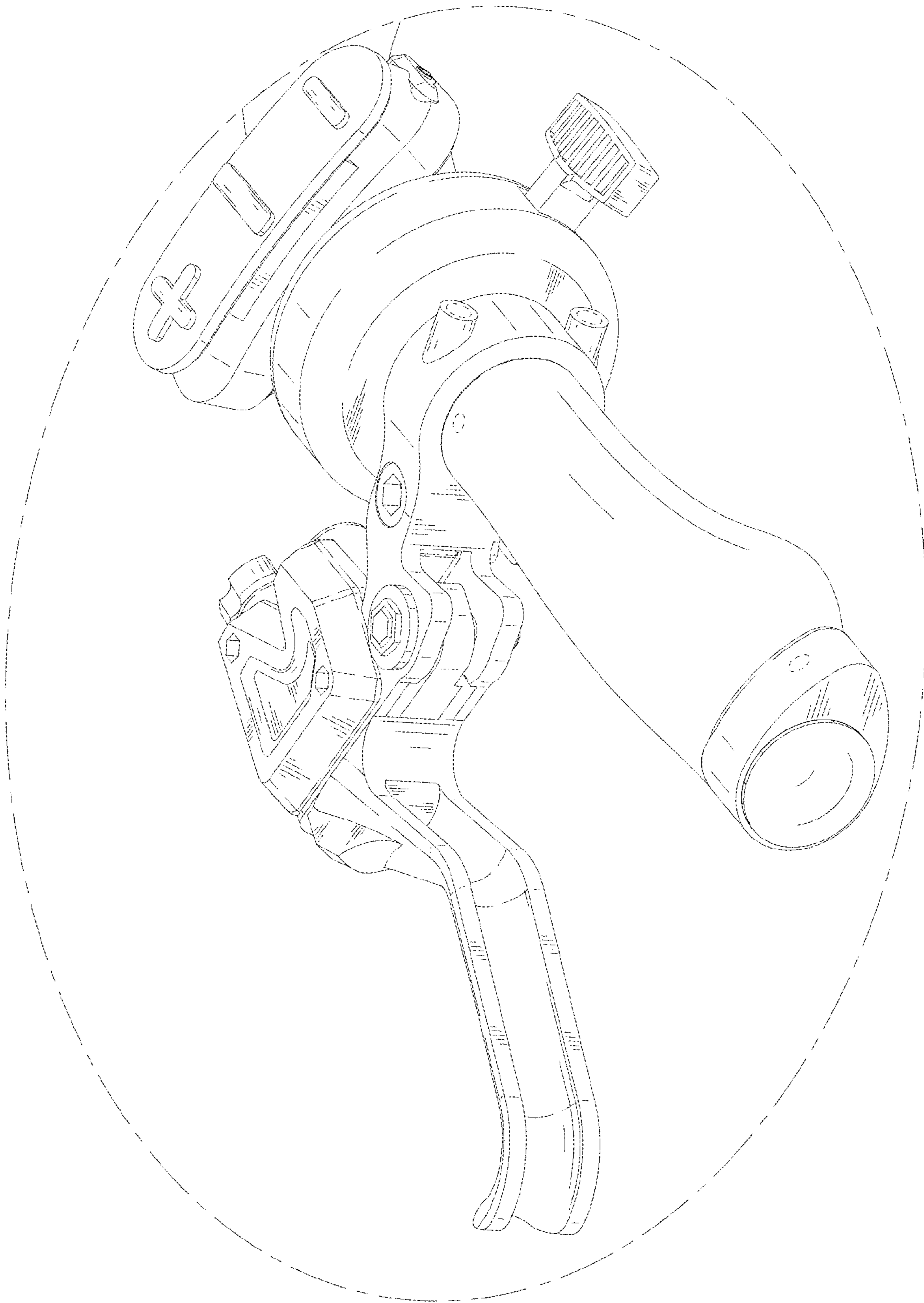


FIG. 9

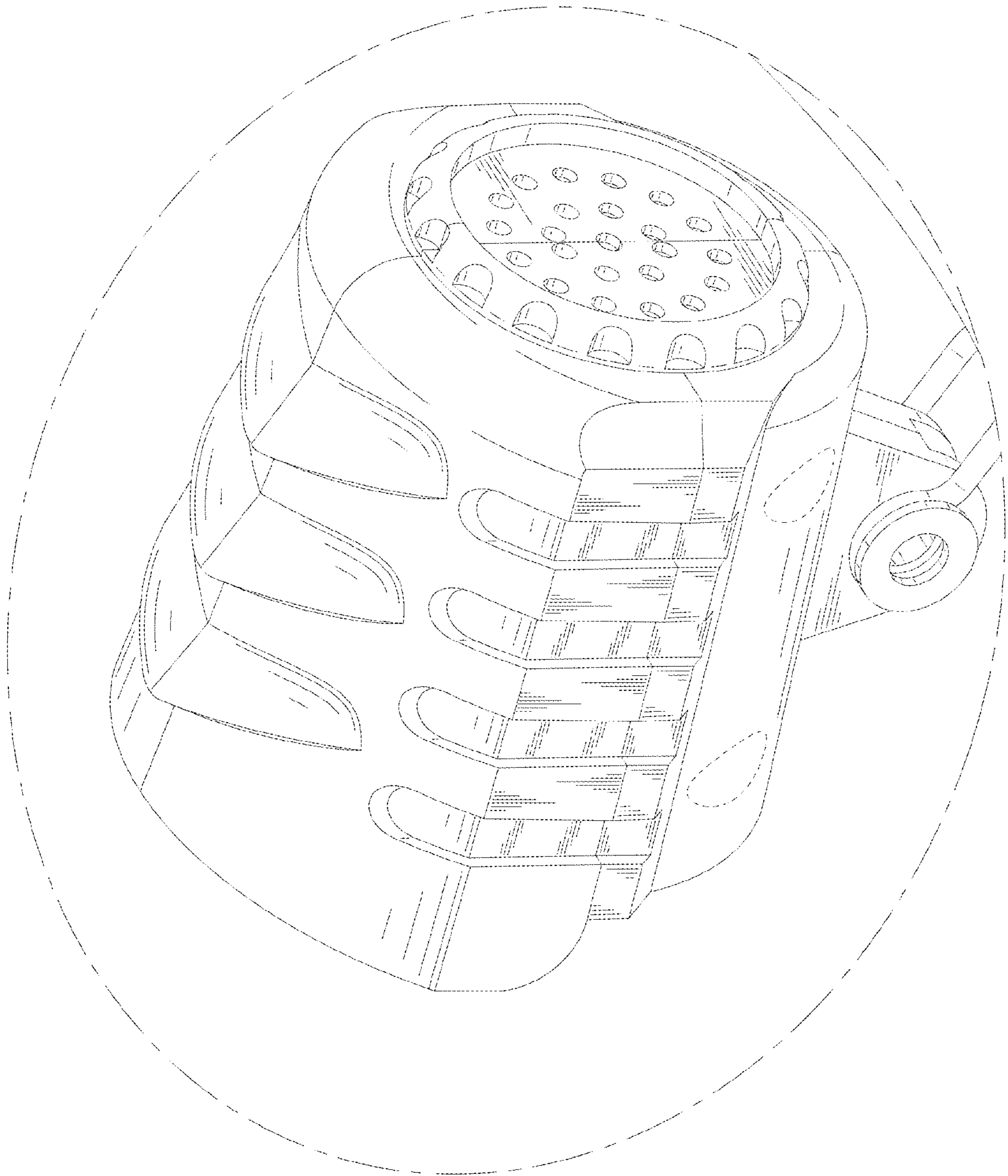


FIG. 10

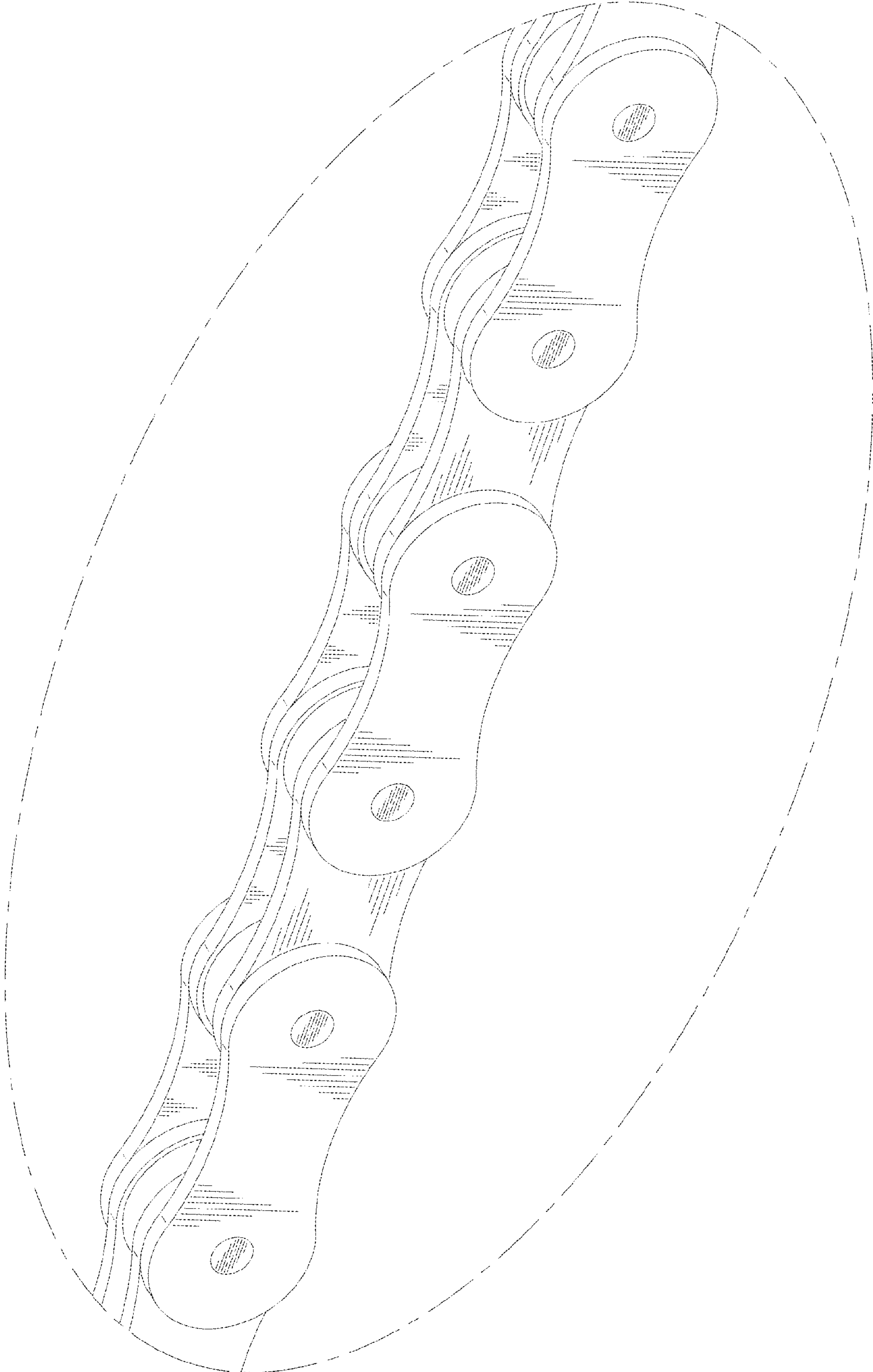


FIG. 11

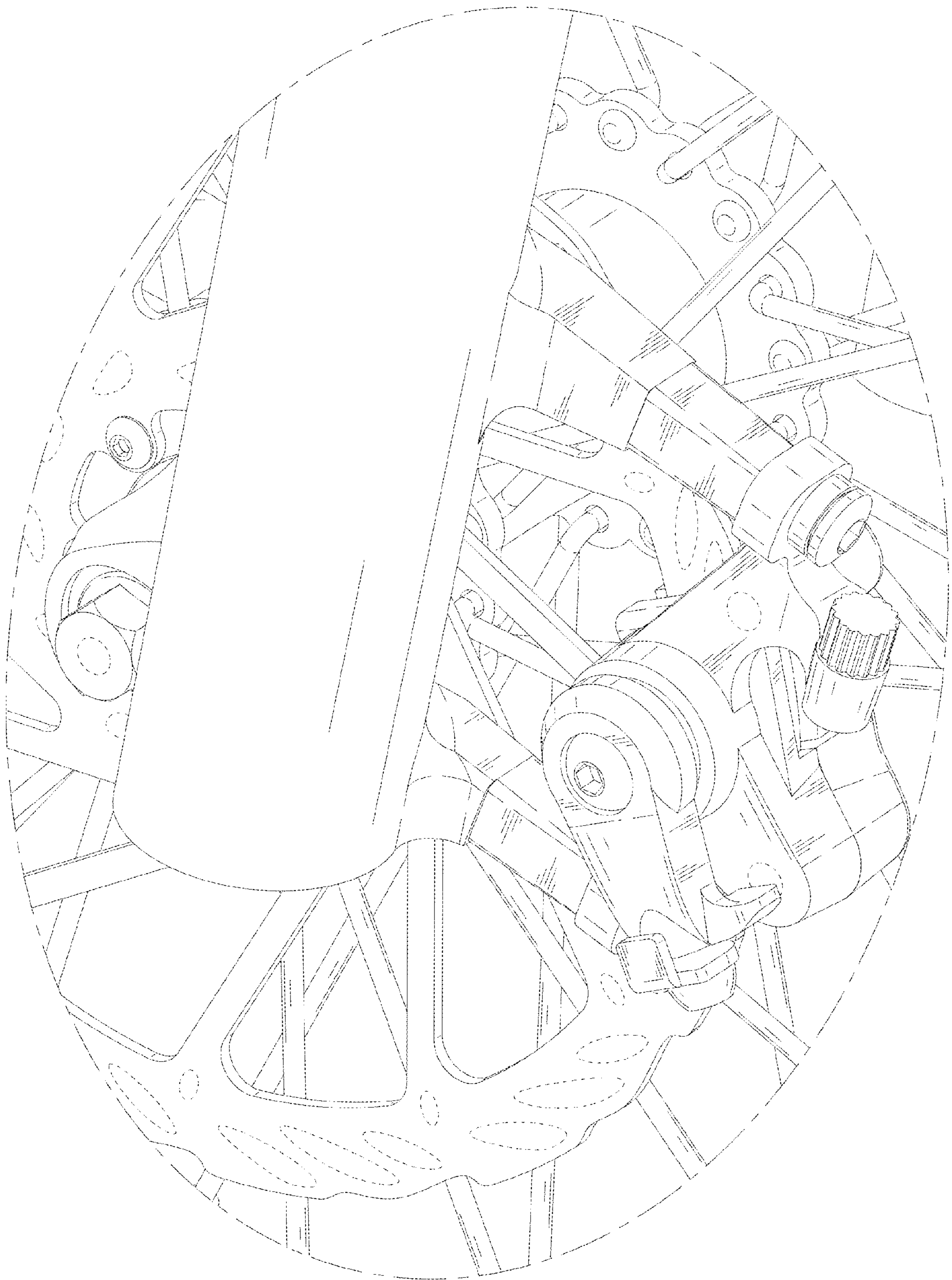


FIG. 12

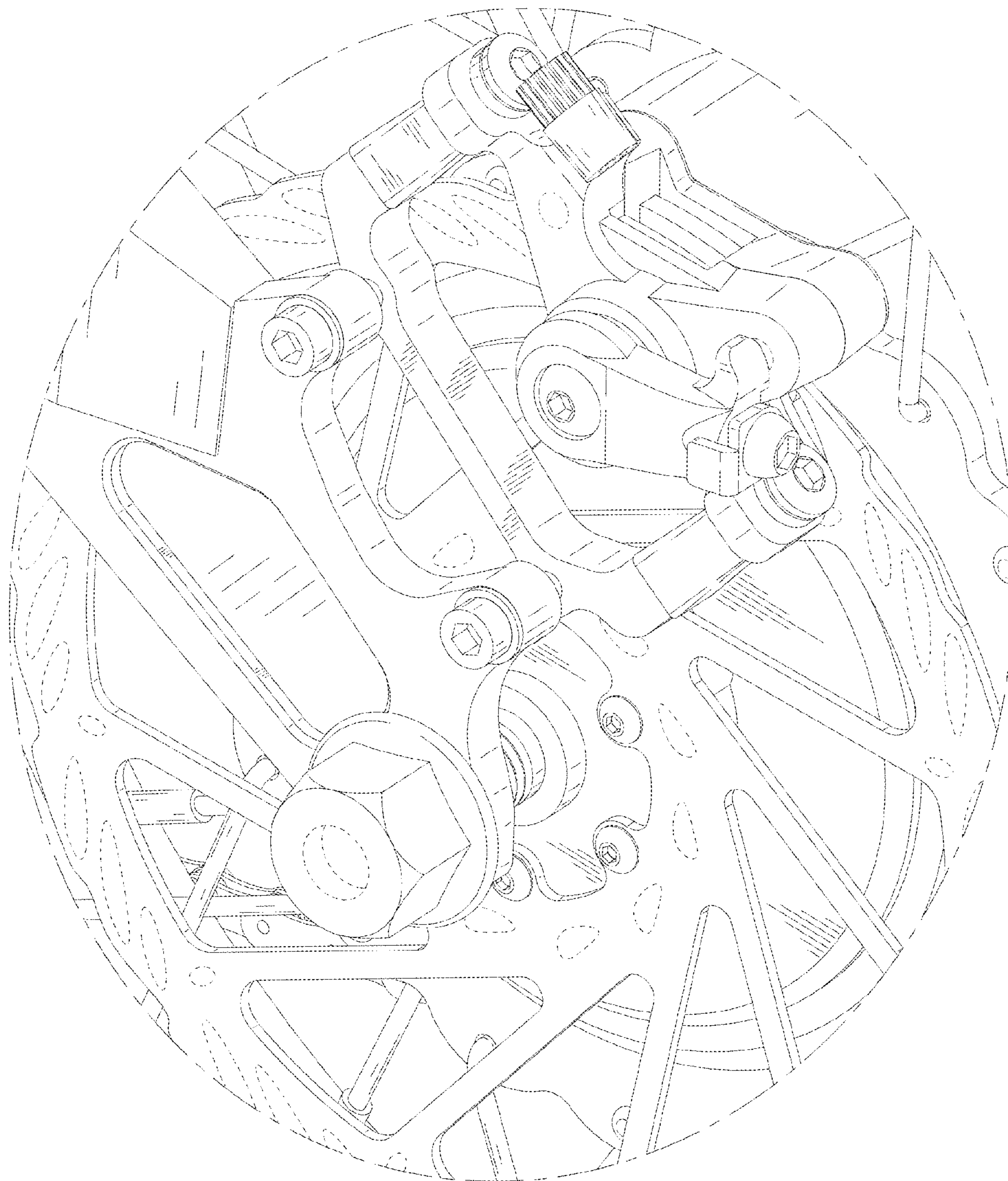


FIG. 13

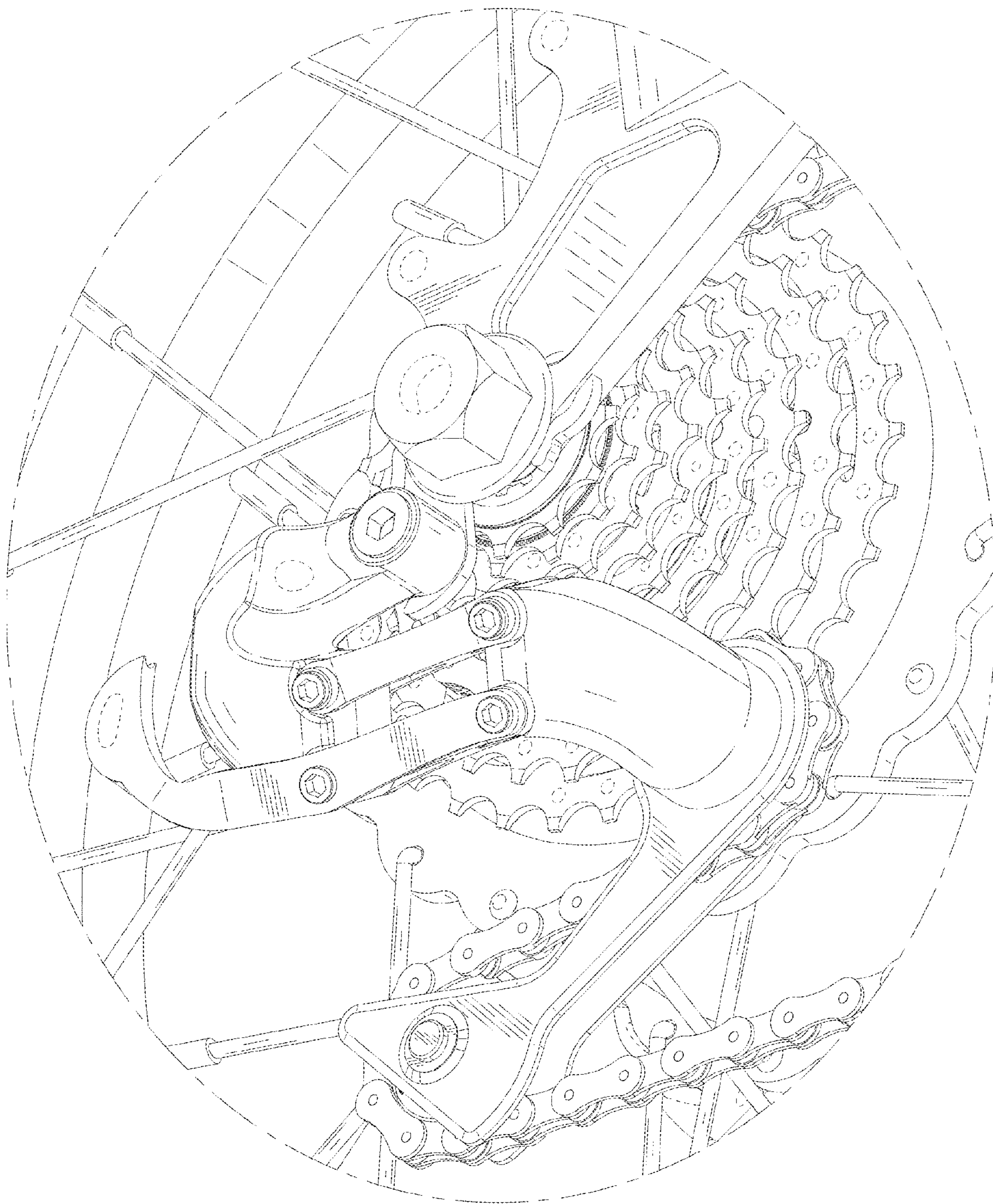


FIG. 14

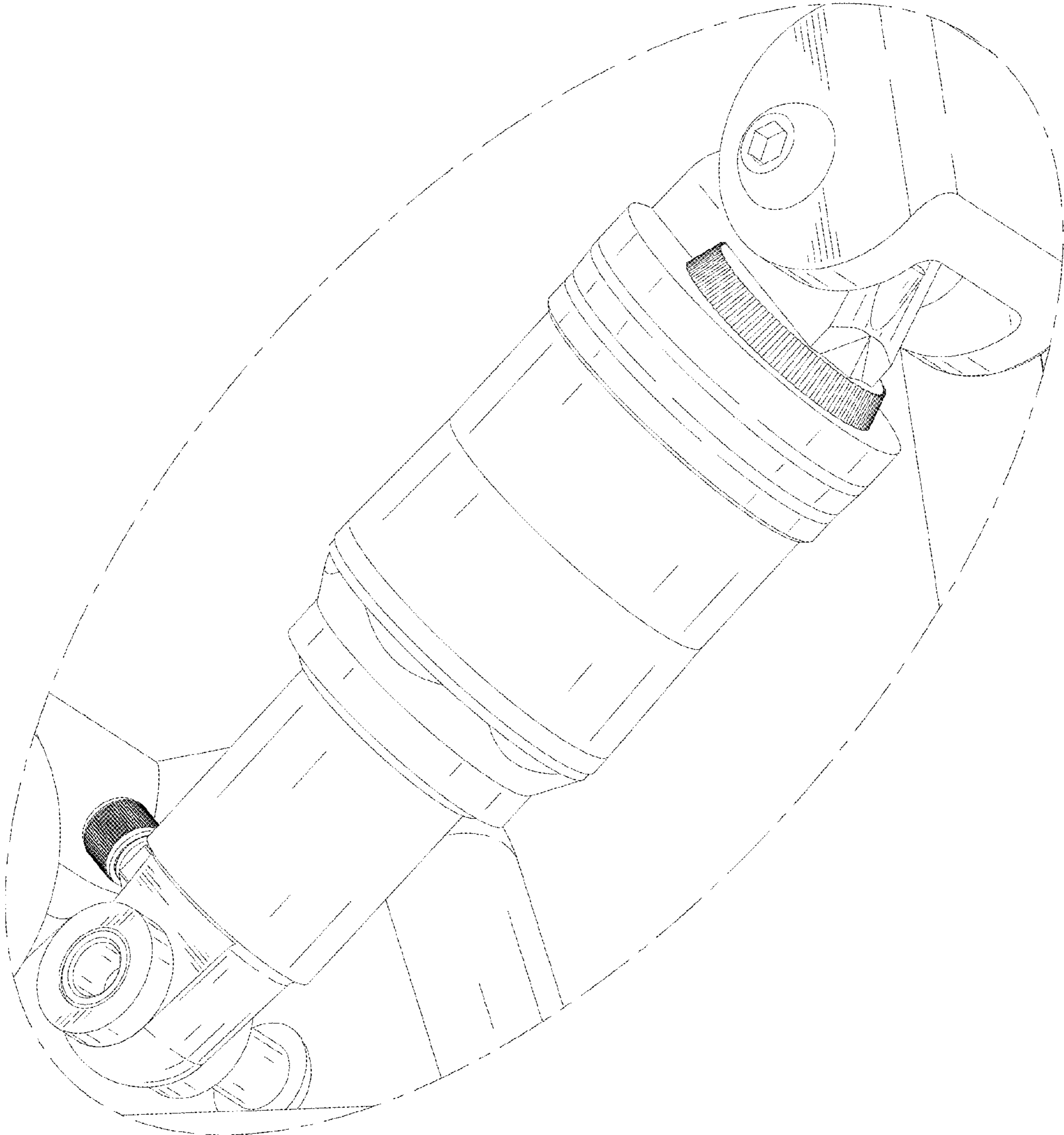


FIG. 15

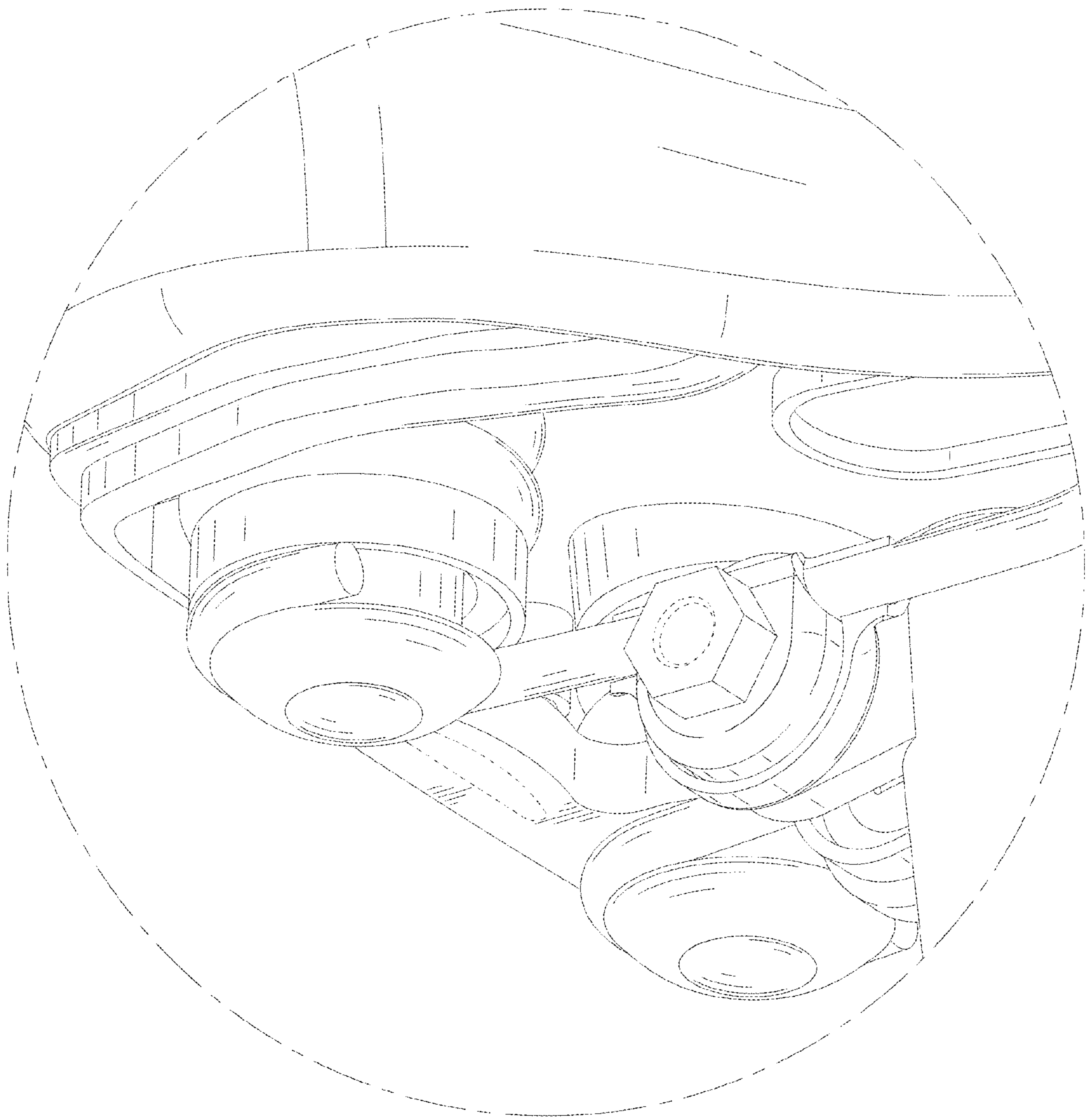


FIG. 16