



US00D971083S

(12) **United States Design Patent**  
**Ohkoshi**

(10) **Patent No.:** **US D971,083 S**

(45) **Date of Patent:** **\*\* Nov. 29, 2022**

(54) **AUTOMOBILE AND/OR TOY REPLICA  
THEREOF**

(71) Applicant: **Nissan Motor Co., Ltd.**, Kanagawa  
(JP)

(72) Inventor: **Naoyuki Ohkoshi**, Kanagawa (JP)

(73) Assignee: **Nissan Motor Co., Ltd.**, Yokohama  
(JP)

(\*\*) Term: **15 Years**

(21) Appl. No.: **29/749,600**

(22) Filed: **Sep. 8, 2020**

(30) **Foreign Application Priority Data**

Mar. 9, 2020 (JP) ..... 2020-004680

(51) **LOC (13) Cl.** ..... **12-08**

(52) **U.S. Cl.**  
USPC ..... **D12/92**

(58) **Field of Classification Search**  
USPC ..... D12/86, 90-92, 88; D21/424, 433, 434,  
D21/533; 296/181.1-181.5, 183.1  
CPC ..... B62D 25/00; B62D 25/06; B62D 33/00;  
B62D 35/00  
See application file for complete search history.

(56) **References Cited**

U.S. PATENT DOCUMENTS

D668,182 S \* 10/2012 Barba Franco ..... D12/92  
D683,269 S \* 5/2013 Fuchigami ..... D12/92  
D773,341 S \* 12/2016 Liu et al. .... D12/92

D871,970 S \* 1/2020 Kusunoki et al. .... D12/92  
D881,757 S \* 4/2020 Tonello et al. .... D12/92  
D906,179 S \* 12/2020 Fuchigami et al. .... D12/91  
D906,887 S \* 1/2021 Betancourt et al. .... D12/92  
D909,253 S \* 2/2021 Tonello et al. .... D12/92

FOREIGN PATENT DOCUMENTS

JP D1355699 S 4/2009

\* cited by examiner

*Primary Examiner* — Melody N Brown

(74) *Attorney, Agent, or Firm* — Global IP Counselors,  
LLP

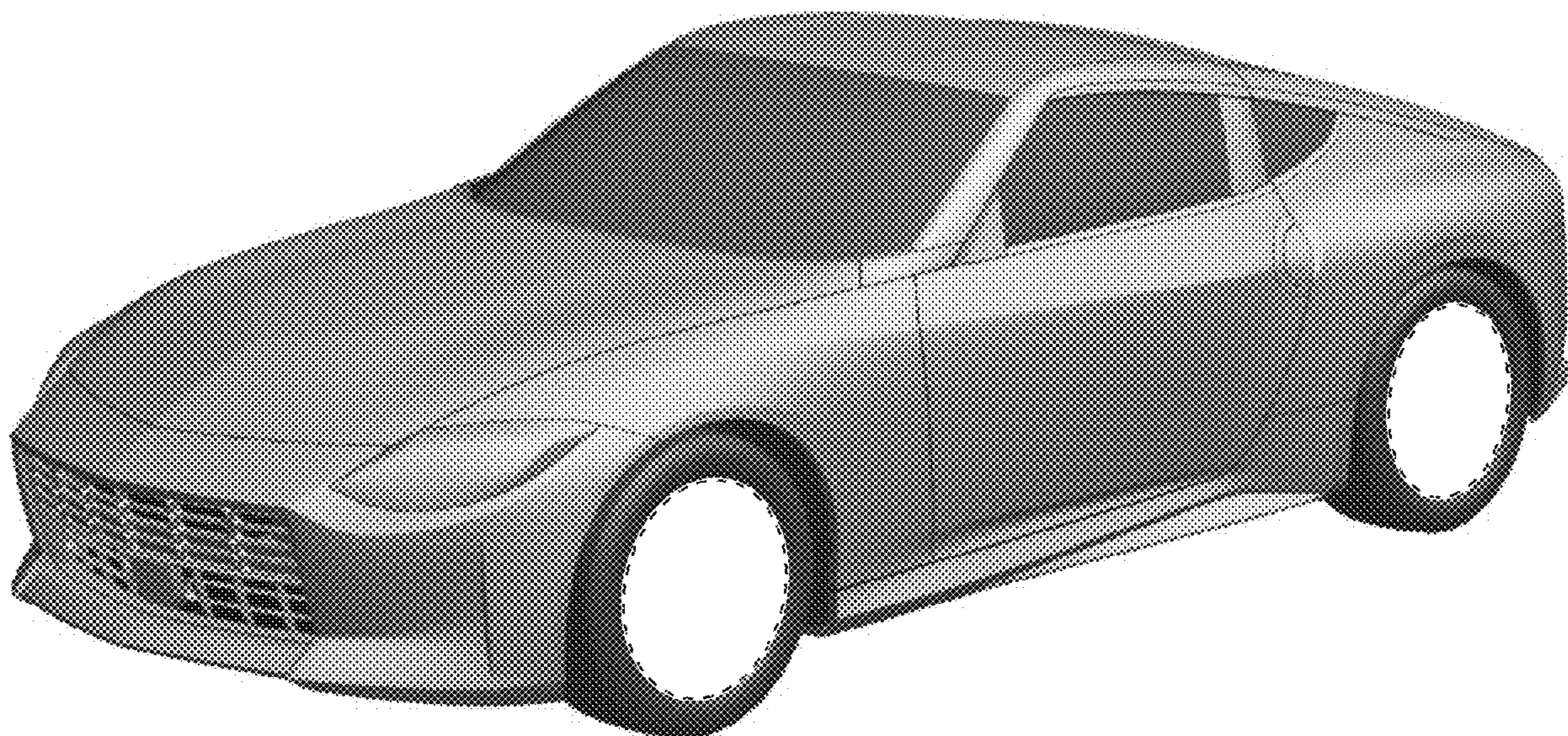
(57) **CLAIM**

The ornamental design for an automobile and/or toy replica thereof, as shown and described.

**DESCRIPTION**

FIG. 1 is a left, front perspective view of an automobile and/or toy replica thereof showing my new design; FIG. 2 is a right, rear perspective view thereof; FIG. 3 is a front elevational view thereof; FIG. 4 is a rear elevational view thereof. FIG. 5 is a top plan view thereof; FIG. 6 is a left side elevational view thereof; and, FIG. 7 is a right side elevational view thereof. The hidden surfaces from the bottom, obscured by a rear bumper, the wheels, and inside the wheel wells, but visible in the figures form no part of the claimed design. The broken line showing on the automobile and/or toy replica thereof is for the purpose of illustrating environmental structure and forms no part of the claimed design.

**1 Claim, 7 Drawing Sheets**



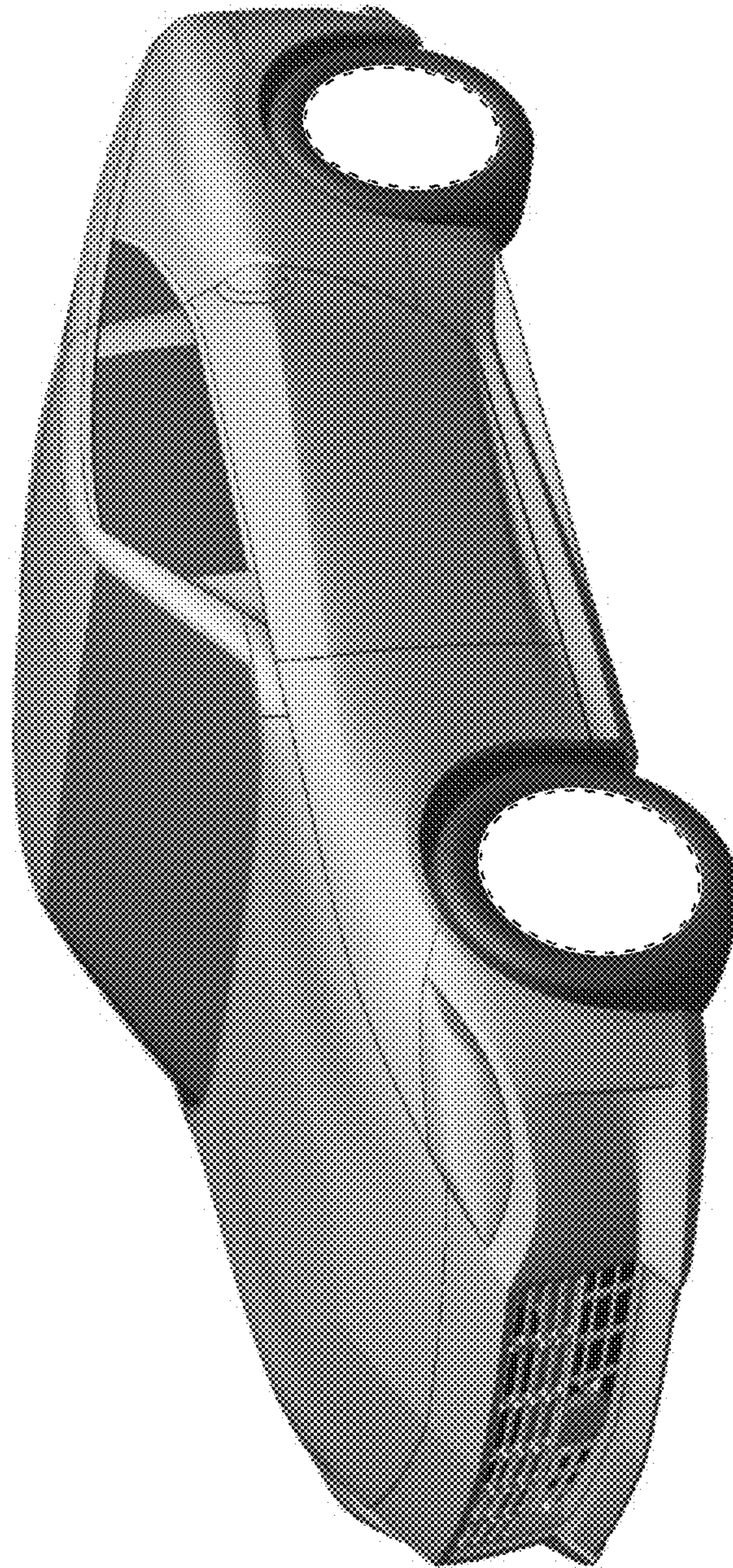


FIG. 1



FIG. 2

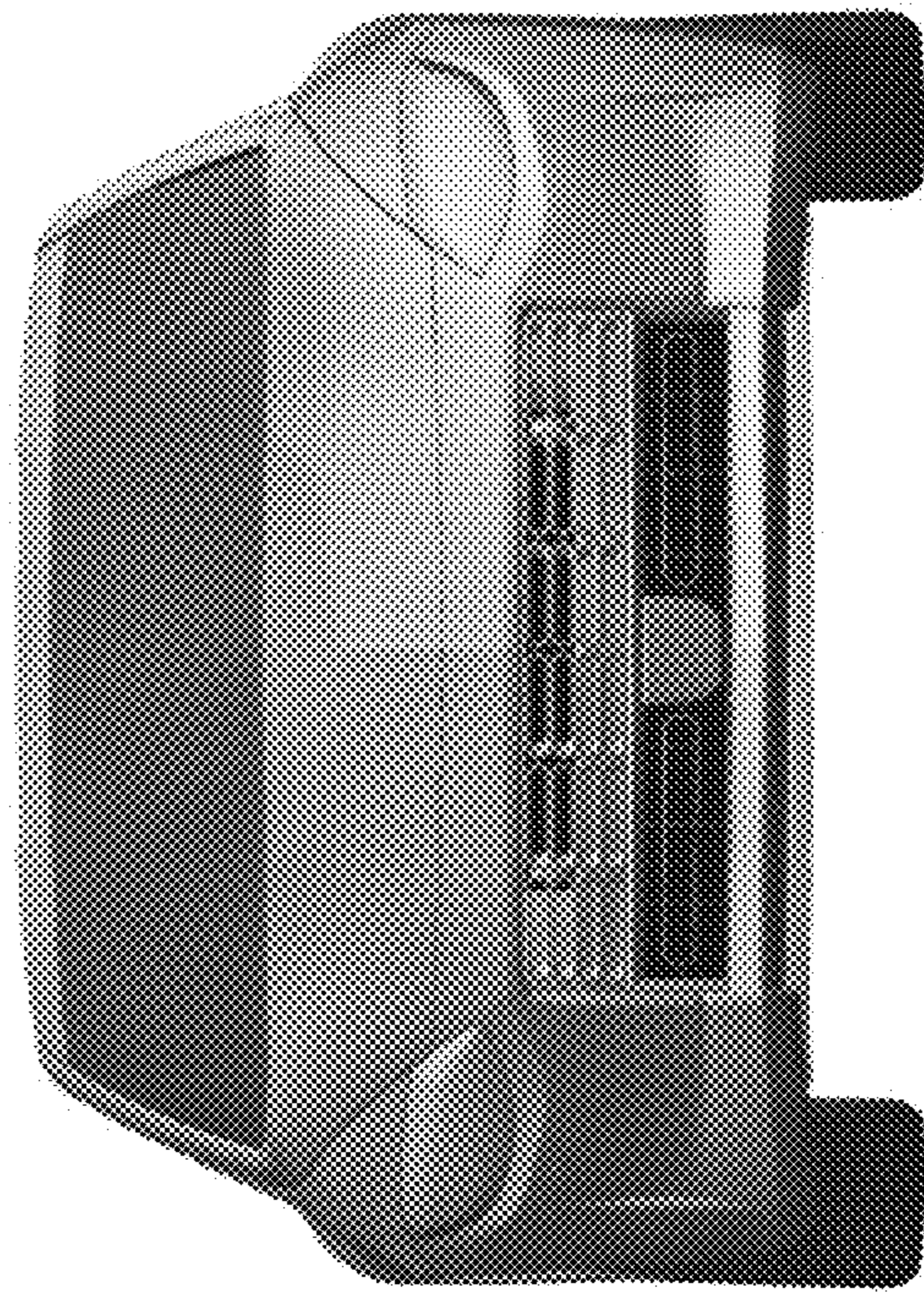
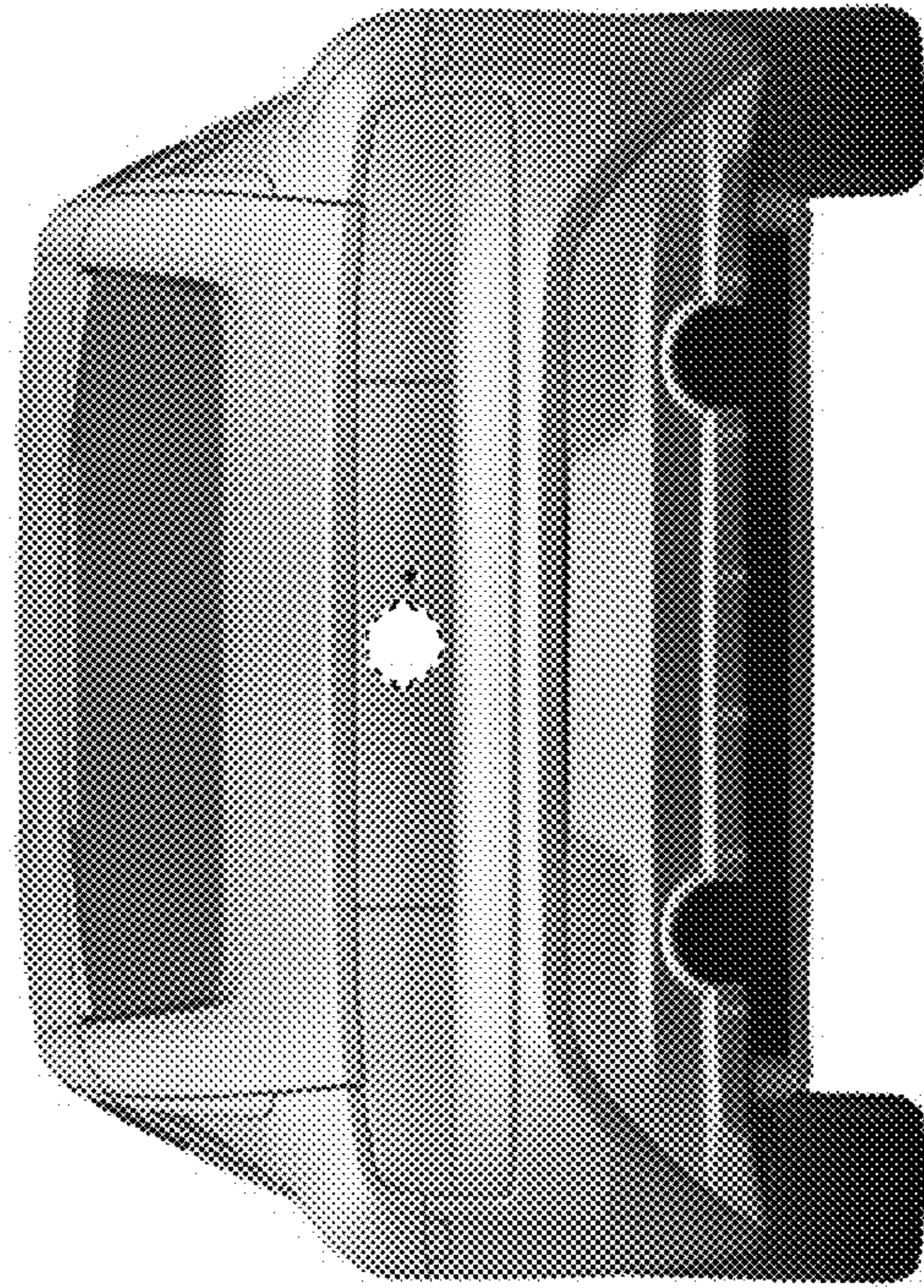


FIG. 3



**FIG. 4**

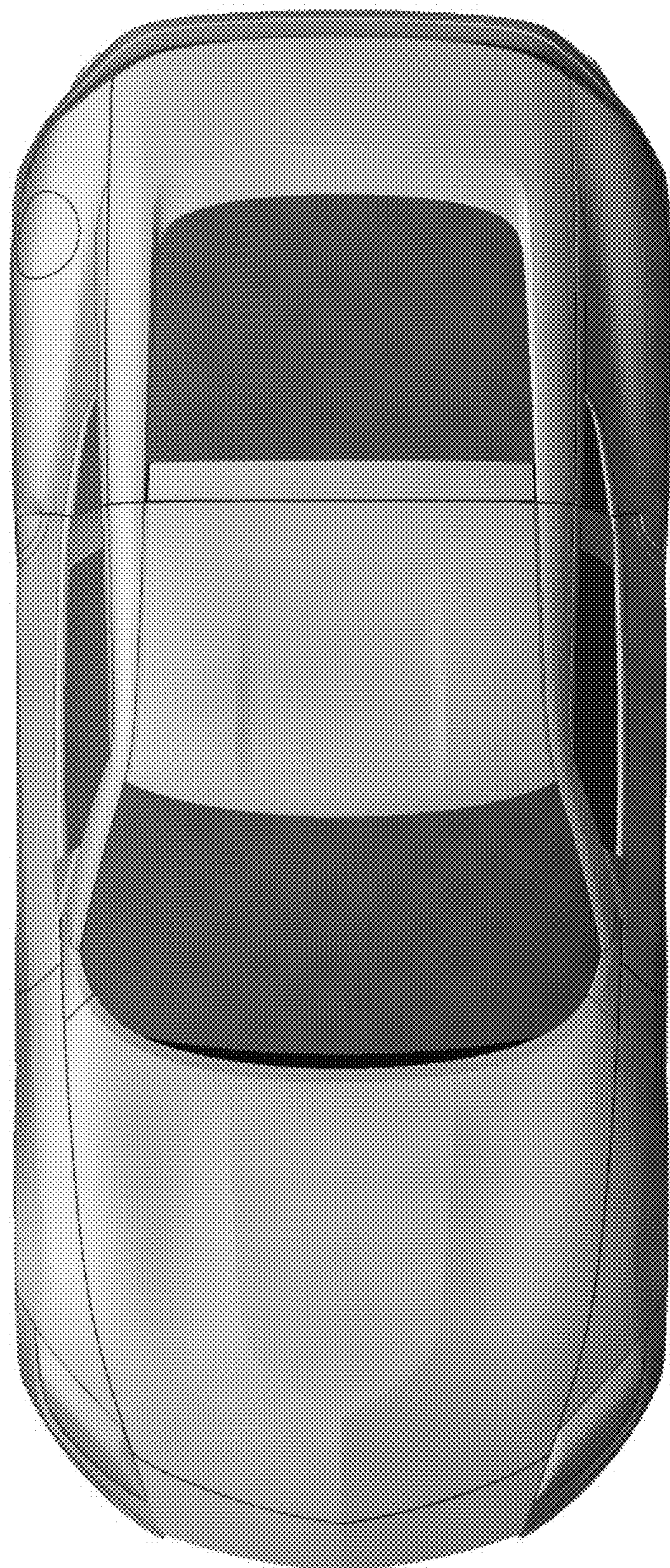


FIG. 5

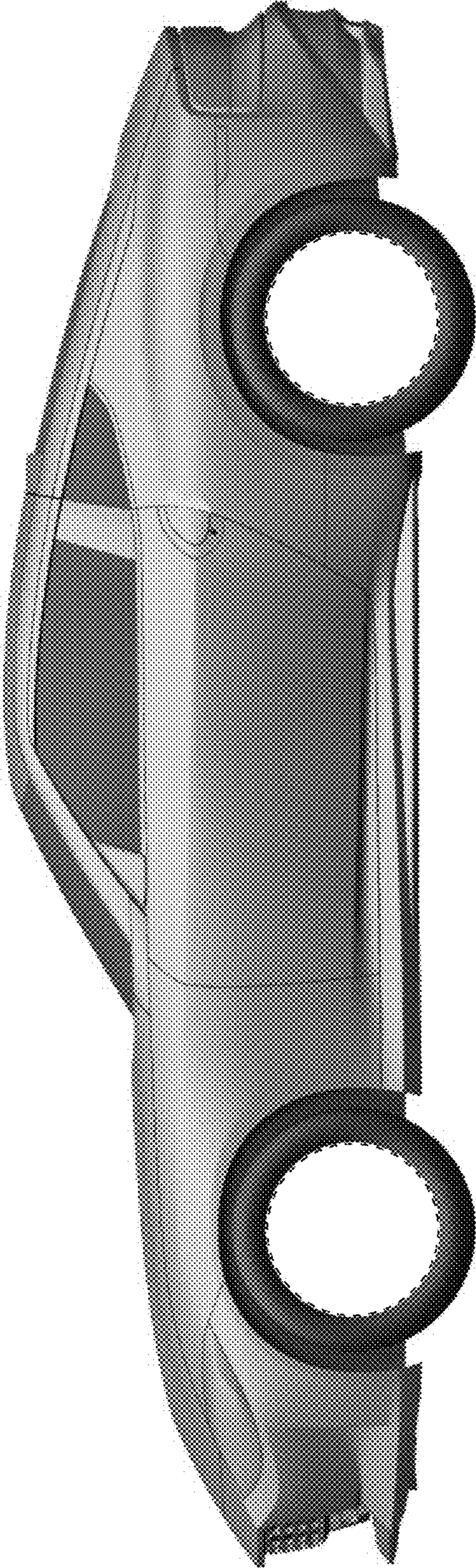


FIG. 6

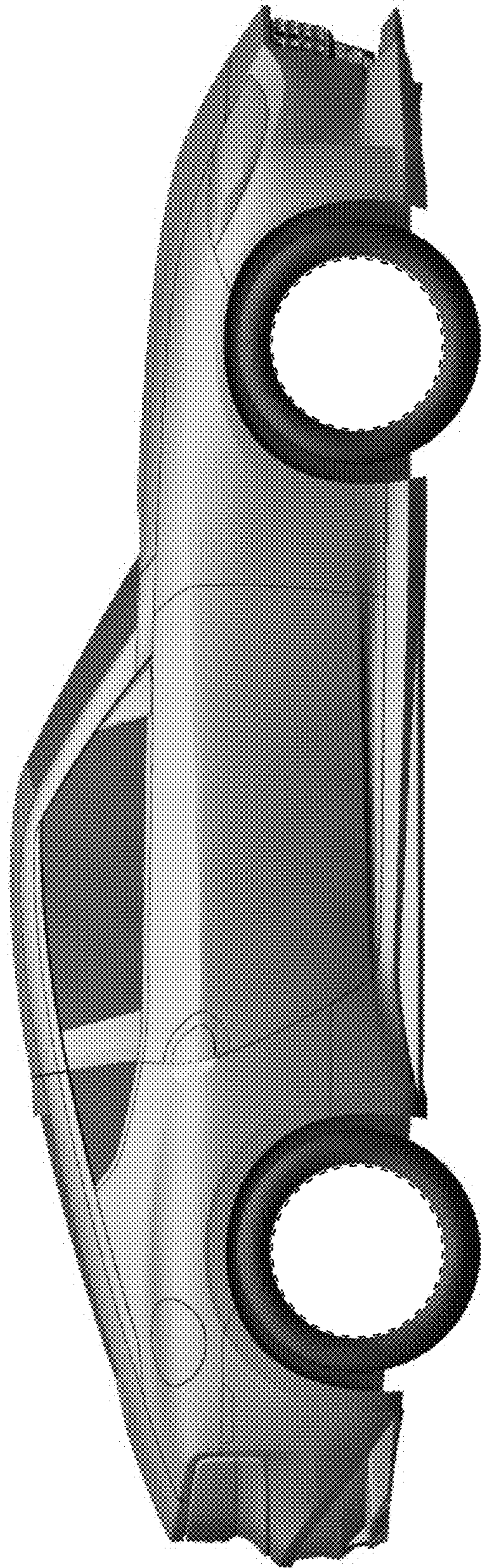


FIG. 7