



US00D971080S

(12) **United States Design Patent**  
**Li**

(10) **Patent No.:** **US D971,080 S**

(45) **Date of Patent:** **\*\* Nov. 29, 2022**

(54) **DRONE**

(71) Applicant: **Guangdong Attop Technology Co., Ltd, Shantou (CN)**

(72) Inventor: **Sijin Li, Shantou (CN)**

(\*\*) Term: **15 Years**

(21) Appl. No.: **29/804,041**

(22) Filed: **Aug. 18, 2021**

(51) **LOC (13) Cl.** ..... **12-06**

(52) **U.S. Cl.**  
USPC ..... **D12/16.1**

(58) **Field of Classification Search**  
USPC ..... D12/1, 2, 3, 4, 16.1, 174, 319–345;  
D21/301, 436, 438, 441–455  
CPC ..... B64C 39/00; B64C 39/24; B64C 2201/00;  
B64C 2201/024; B64C 2201/042; B64C  
2201/086; B64C 2201/088; B64C  
2201/102; B64C 2201/104; B64C  
2201/108; B64C 2201/12; B64C  
2201/123; B64C 2201/127; B64C  
2201/141; B64C 2201/146; B64C 29/00;  
B64C 29/0025; B64C 29/0033; B64C  
29/02; B64C 27/08; B64C 3/10; B64C  
2203/00

See application file for complete search history.

(56) **References Cited**

**U.S. PATENT DOCUMENTS**

D800,016 S \* 10/2017 Huang ..... D12/16.1  
D813,724 S \* 3/2018 Hu ..... D12/16.1  
D825,379 S \* 8/2018 Gury et al.  
D843,267 S \* 3/2019 Gao ..... D12/16.1  
D854,448 S \* 7/2019 Chen ..... D12/16.1

D861,573 S \* 10/2019 He ..... D12/328  
D869,375 S \* 12/2019 Kim ..... D12/328  
D873,175 S \* 1/2020 Li ..... D12/328  
D881,067 S \* 4/2020 Zhou ..... D12/16.1  
D882,460 S \* 4/2020 Chen ..... D12/16.1  
D884,554 S \* 5/2020 Chen ..... D12/16.1  
D913,153 S \* 3/2021 Bowers  
D918,087 S \* 5/2021 He ..... D12/319  
D918,308 S \* 5/2021 Xu ..... D21/441  
D944,118 S \* 2/2022 Lin ..... D12/16.1

\* cited by examiner

*Primary Examiner* — Cary M Robinson

*Assistant Examiner* — Adam C Mager

(74) *Attorney, Agent, or Firm* — Rumit R. Kanakia

(57) **CLAIM**

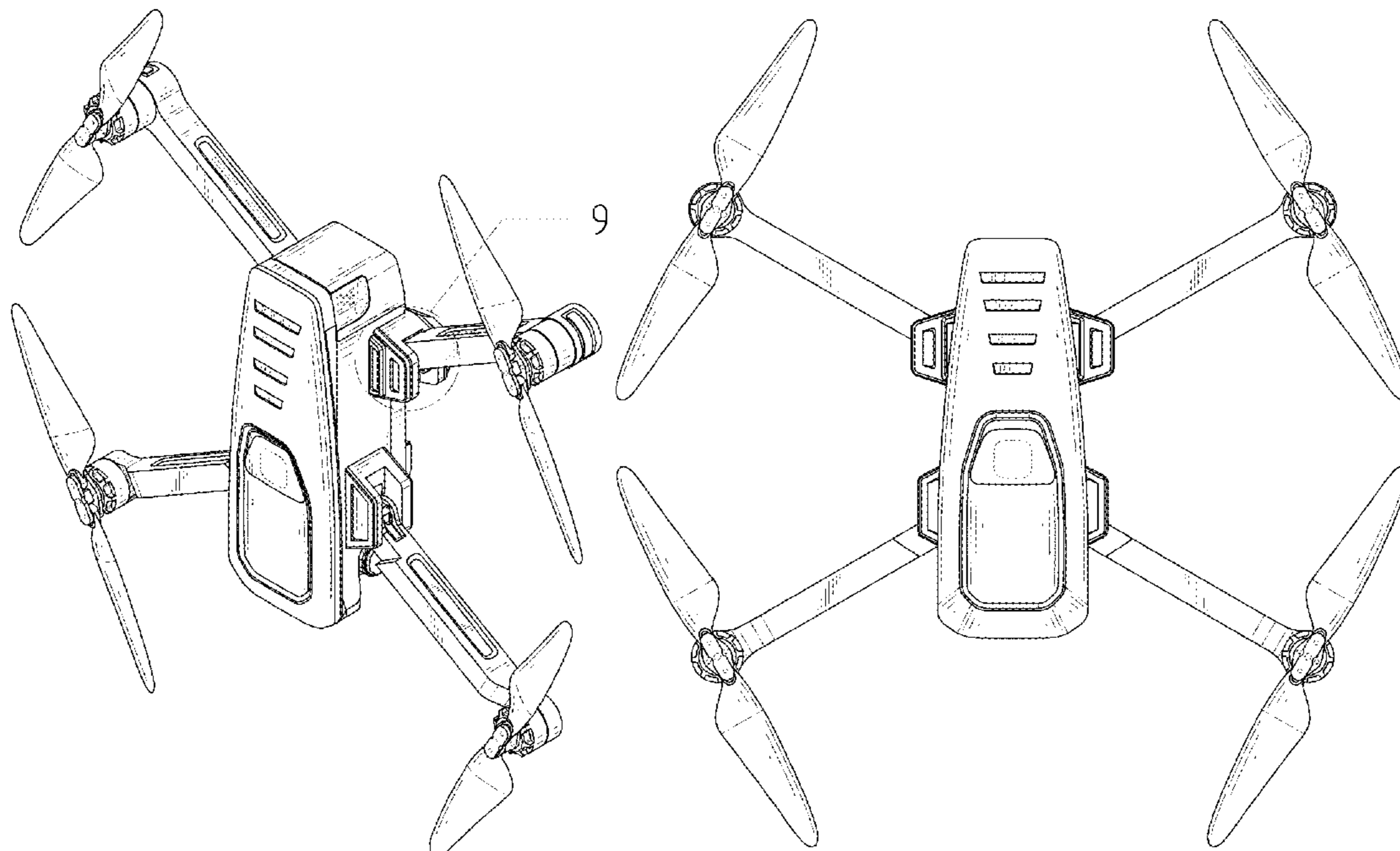
The ornamental design for a drone, as shown and described.

**DESCRIPTION**

FIG. 1 is a first perspective view of a drone showing my new design;  
FIG. 2 is a second perspective view thereof;  
FIG. 3 is a front view thereof;  
FIG. 4 is a back view thereof;  
FIG. 5 is a left side view thereof;  
FIG. 6 is a right side view thereof;  
FIG. 7 is a top view thereof;  
FIG. 8 is a bottom view thereof;  
FIG. 9 is an enlarged view of the selected portion in FIG. 1;  
and,  
FIG. 10 is an enlarged view of the selected portion in FIG. 2.

The broken lines shown in the drawings depict portions of the drone in which the design is embodied that form no part of the claimed design.

**1 Claim, 10 Drawing Sheets**



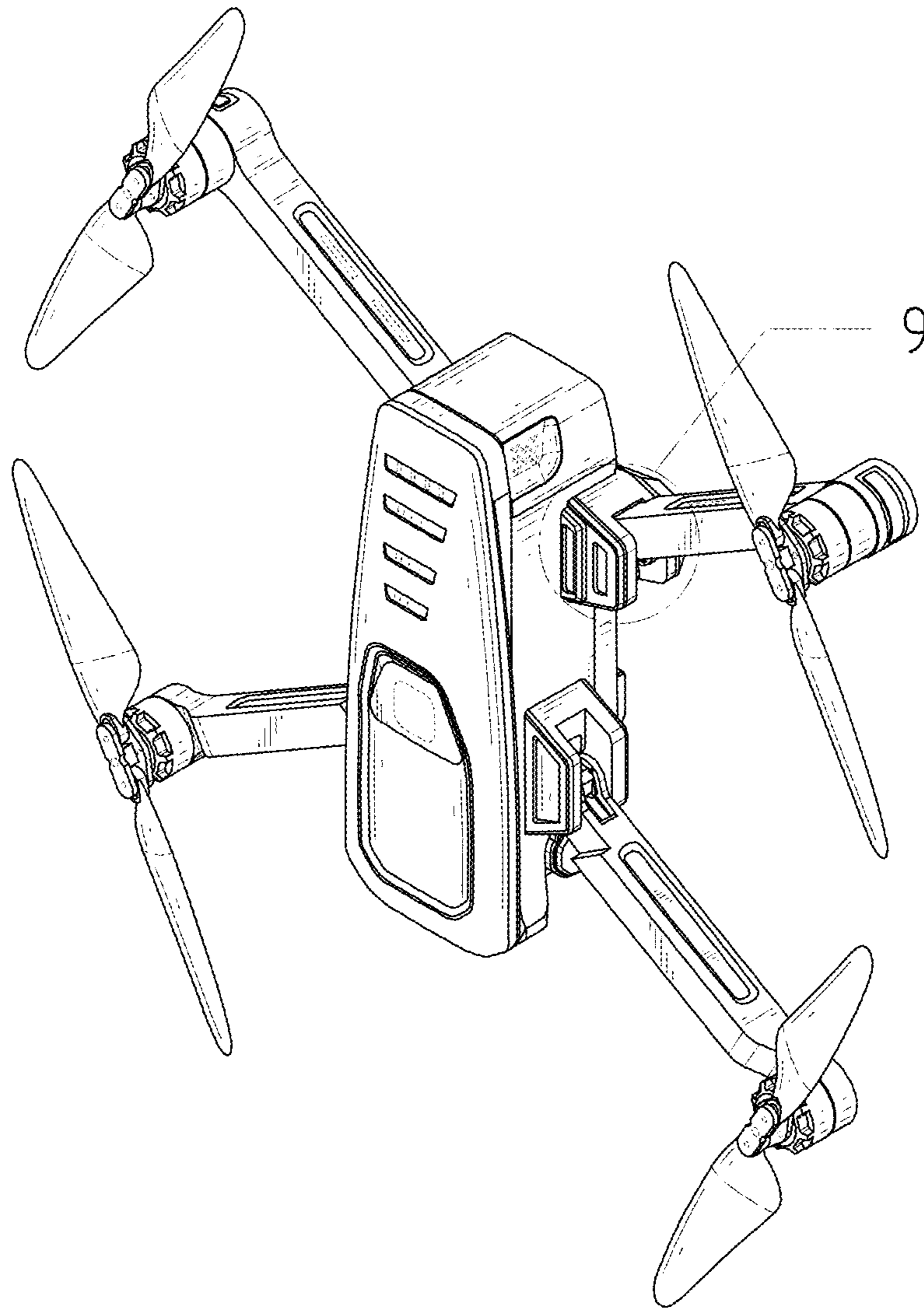


FIG. 1

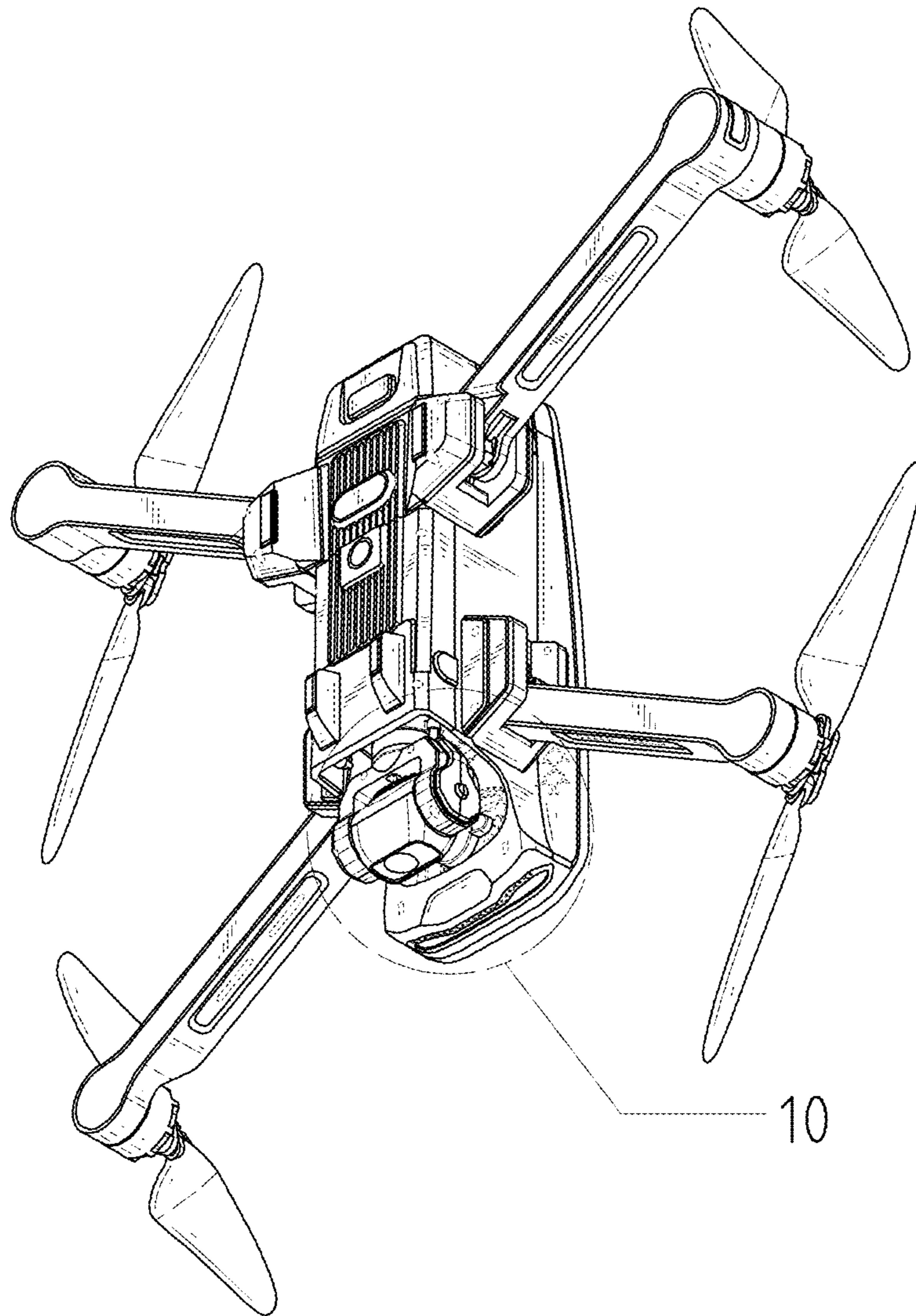


FIG. 2

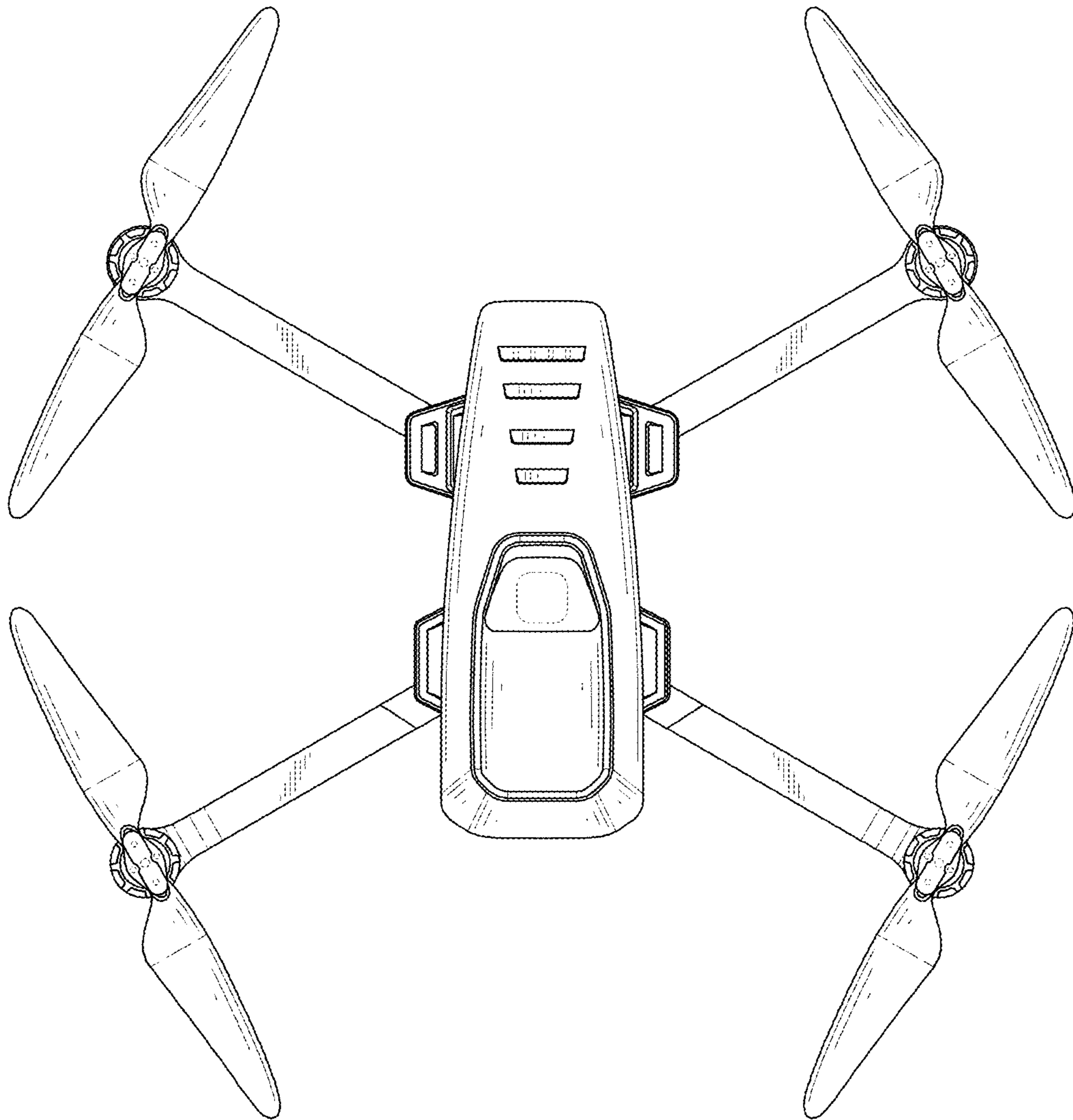


FIG. 3

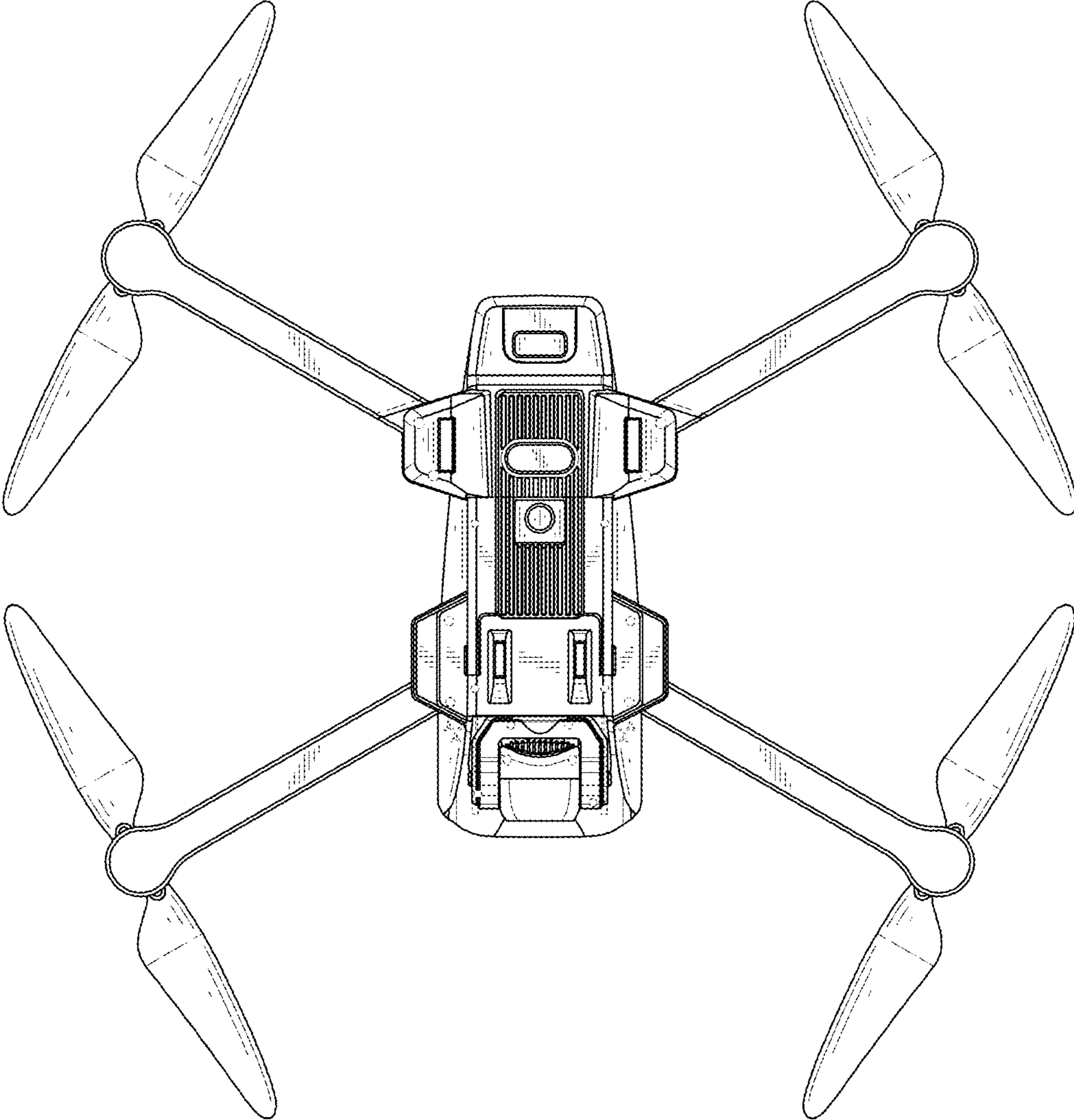


FIG. 4

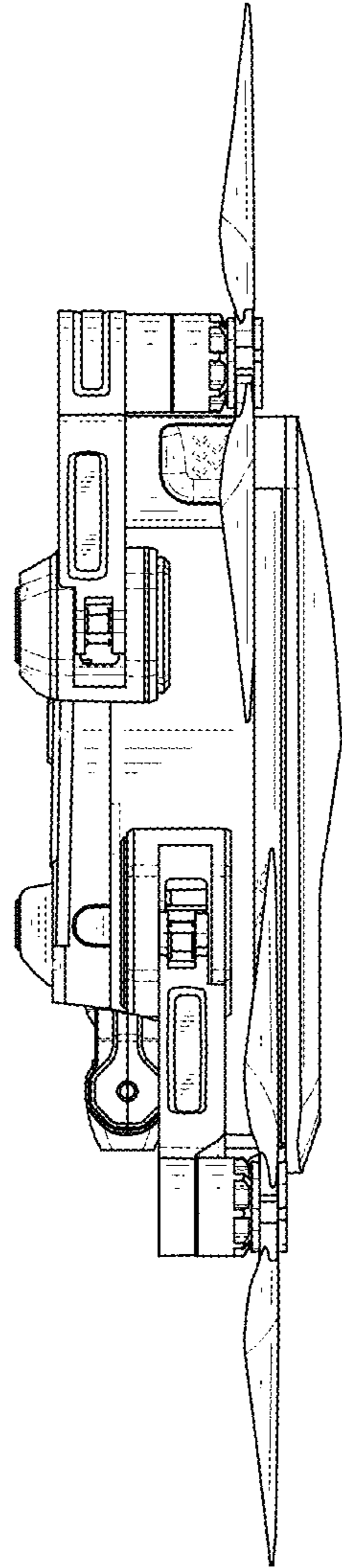


FIG. 5

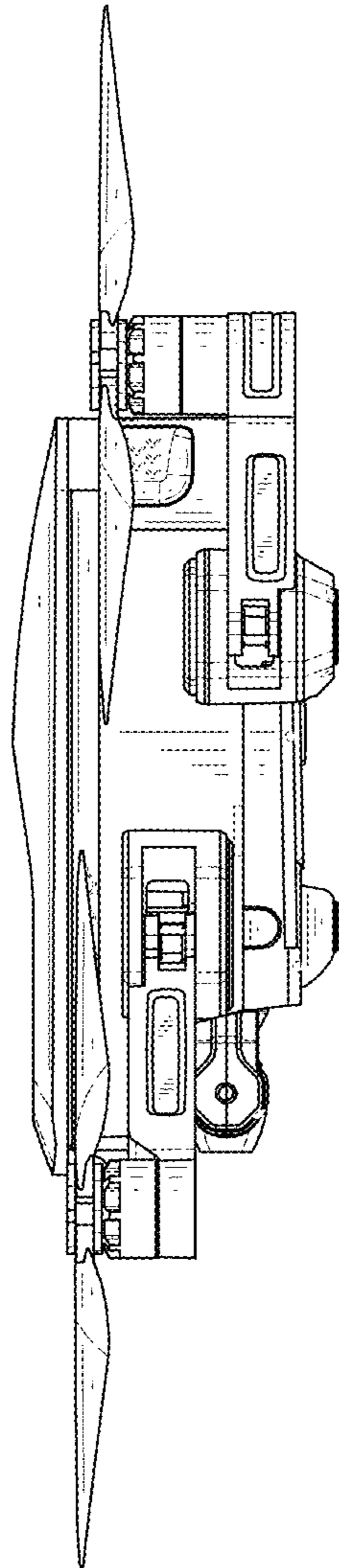


FIG. 6

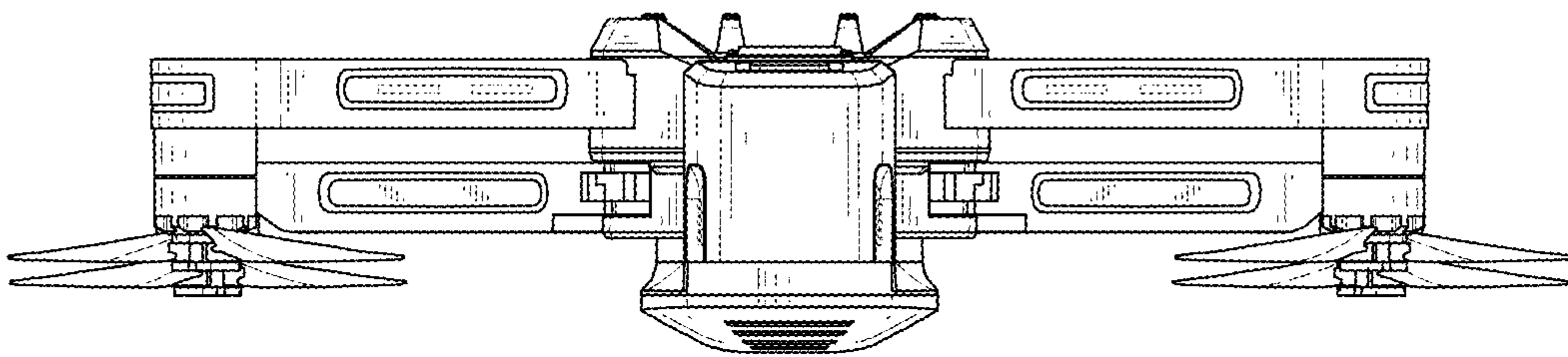


FIG. 7



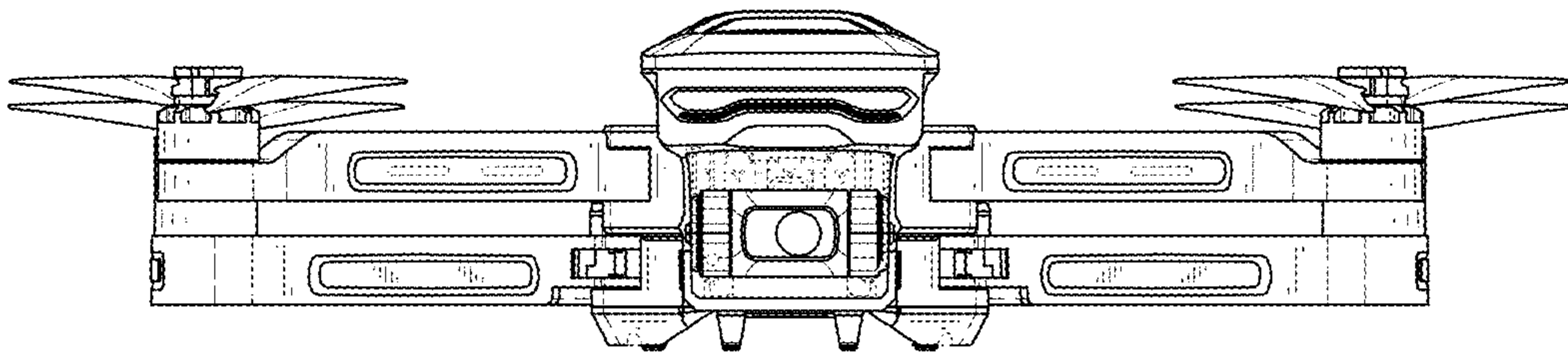


FIG. 8

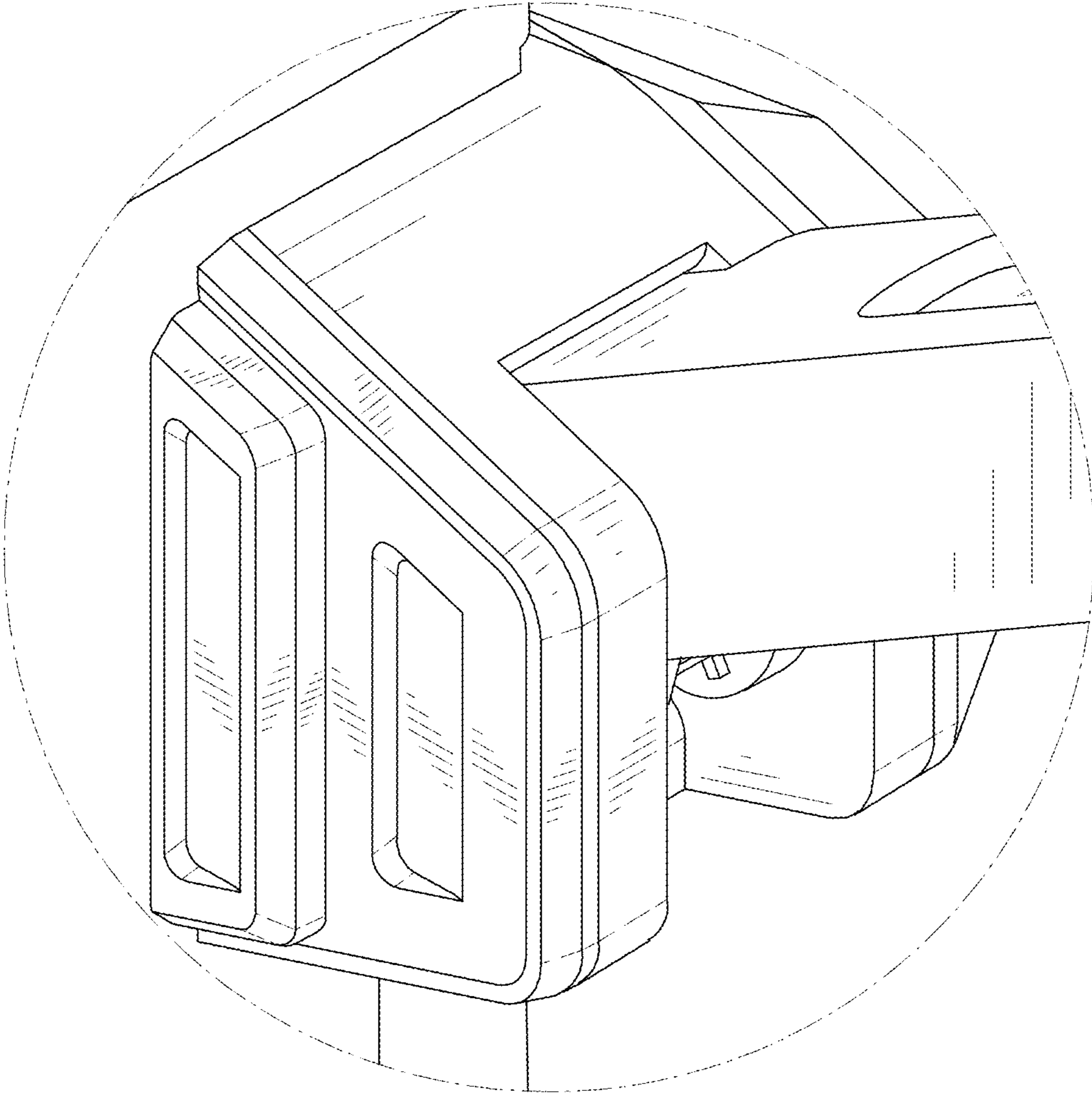


FIG. 9

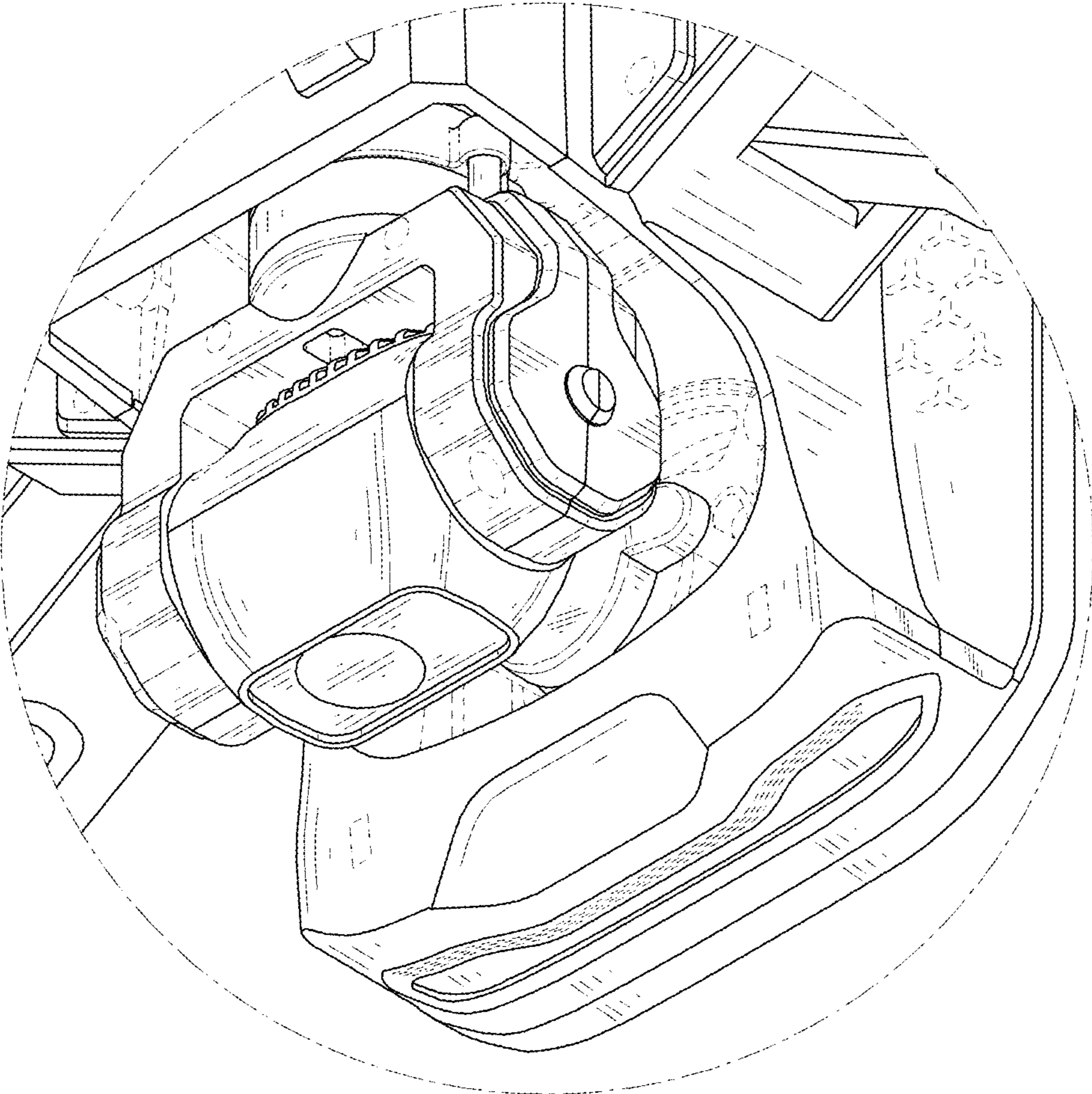


FIG. 10