



US00D971075S

(12) **United States Design Patent**
Kim et al.

(10) **Patent No.:** **US D971,075 S**

(45) **Date of Patent:** **** Nov. 29, 2022**

(54) **POD FOR PLANT CULTIVATOR**

(71) Applicant: **LG ELECTRONICS INC.**, Seoul (KR)

(72) Inventors: **Yong Kim**, Seoul (KR); **Kyukwan Choi**, Seoul (KR); **Minsub Kim**, Seoul (KR)

(73) Assignee: **LG Electronics Inc.**, Seoul (KR)

(**) Term: **15 Years**

(21) Appl. No.: **29/738,999**

(22) Filed: **Jun. 22, 2020**

(30) **Foreign Application Priority Data**

Dec. 23, 2019 (KR) 30-2019-0062524

(51) **LOC (13) Cl.** **11-02**

(52) **U.S. Cl.**
USPC **D11/155**

(58) **Field of Classification Search**
USPC D11/143–156, 164; D6/403–405,
D6/556–558

CPC . A01G 9/02; A01G 9/021; A01G 9/04; A01G
27/003; A01G 31/06

See application file for complete search history.

(56) **References Cited**

U.S. PATENT DOCUMENTS

- 1,237,699 A * 8/1917 Rissling A47G 7/044
248/226.11
- D210,750 S * 4/1968 Paxton D11/155
- D241,763 S * 10/1976 Gottregen D11/156
- D245,241 S * 8/1977 Robinson D11/155
- D261,715 S * 11/1981 Daenen D7/586
- 5,644,976 A * 7/1997 Muchin A47J 36/34
99/422
- D415,935 S * 11/1999 Martinez D7/602

- D434,265 S * 11/2000 Tatlow D7/354
- D439,159 S * 3/2001 Chen D9/425
- D466,808 S * 12/2002 Liu D9/425
- D569,676 S * 5/2008 Millsap D7/354
- D614,950 S * 5/2010 Colacitti D7/354
- D618,516 S * 6/2010 DiPietro D7/629
- D653,496 S * 2/2012 Henry D7/354
- 8,381,909 B2 * 2/2013 Hernandez B65D 21/0209
206/505
- D702,483 S * 4/2014 Green D7/354
- D702,511 S * 4/2014 Segal D7/629
- 8,733,551 B2 * 5/2014 Parker A61B 1/00144
206/570
- D724,903 S * 3/2015 Chen D7/629
- D769,113 S * 10/2016 Chen D9/425
- D819,409 S * 6/2018 Newton D7/554.3
- D832,697 S * 11/2018 Adams, III D9/425
- D834,314 S * 11/2018 Nicoline D3/304
- D841,462 S * 2/2019 Kui D9/425

(Continued)

FOREIGN PATENT DOCUMENTS

CN 306971705 * 11/2021

Primary Examiner — Elizabeth A. Albert

(74) *Attorney, Agent, or Firm* — Birch, Stewart, Kolasch & Birch, LLP

(57) **CLAIM**

The ornamental design for a pod for plant cultivator, as shown and described.

DESCRIPTION

FIG. 1 is a front perspective view of the pod for plant cultivator showing our new design;

FIG. 2 is a front view thereof;

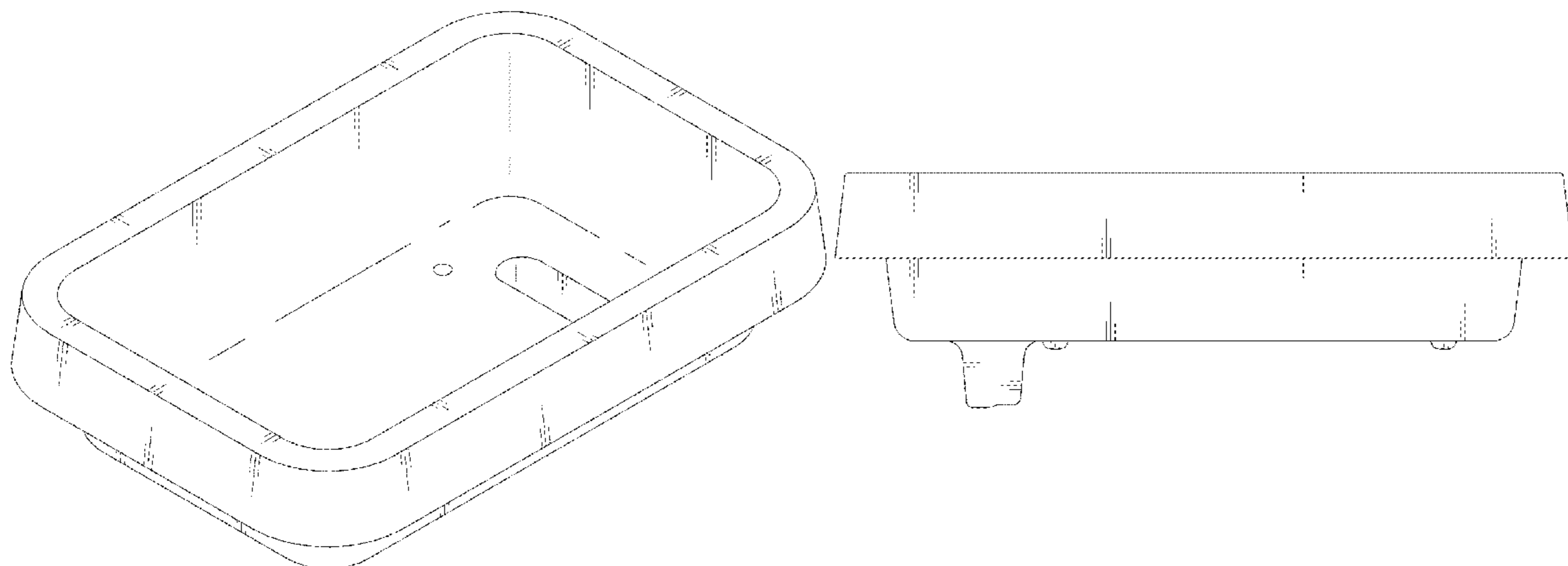
FIG. 3 is a back view thereof;

FIG. 4 is a left side view thereof where the right side view is a mirror image;

FIG. 5 is a top plan view thereof; and,

FIG. 6 is a bottom plan view thereof.

1 Claim, 6 Drawing Sheets



(56)

References Cited

U.S. PATENT DOCUMENTS

D852,039 S * 6/2019 Troudt D9/425
D880,248 S * 4/2020 Zhen D7/602
D887,890 S * 6/2020 Liu D11/155
D891,777 S * 8/2020 Newton D3/304
D891,778 S * 8/2020 Stevens D3/304
D902,027 S * 11/2020 Chen D9/425
D908,040 S * 1/2021 Now D11/155
D909,238 S * 2/2021 Choi D11/155
2009/0321297 A1* 12/2009 Sundblad B65D 1/34
162/135
2010/0038274 A1* 2/2010 Segal B65D 43/168
220/837
2012/0186155 A1* 7/2012 Tsai A01G 9/02
47/79
2021/0235629 A1* 8/2021 Haber A01G 9/02

* cited by examiner

FIG. 1

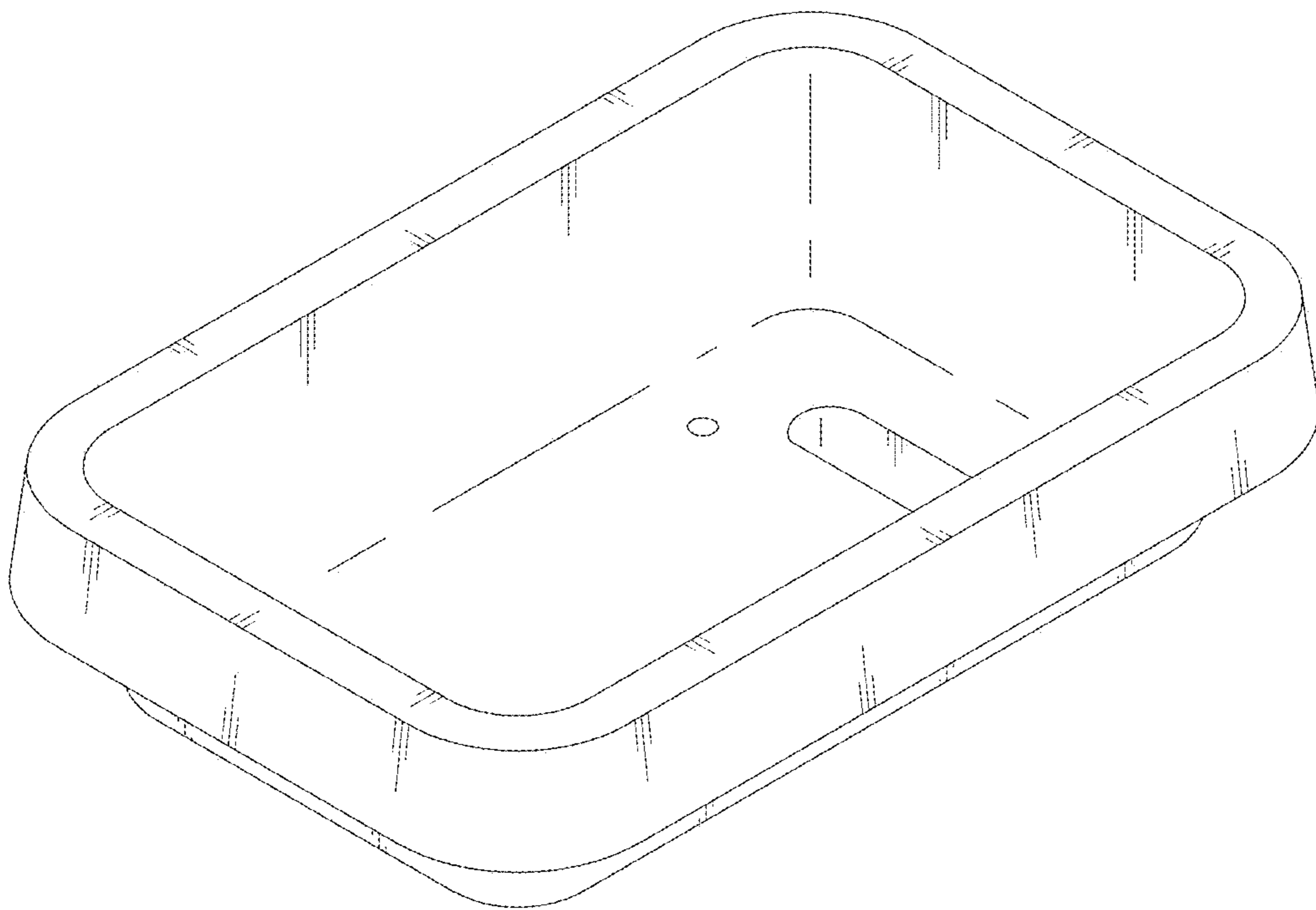


FIG. 2

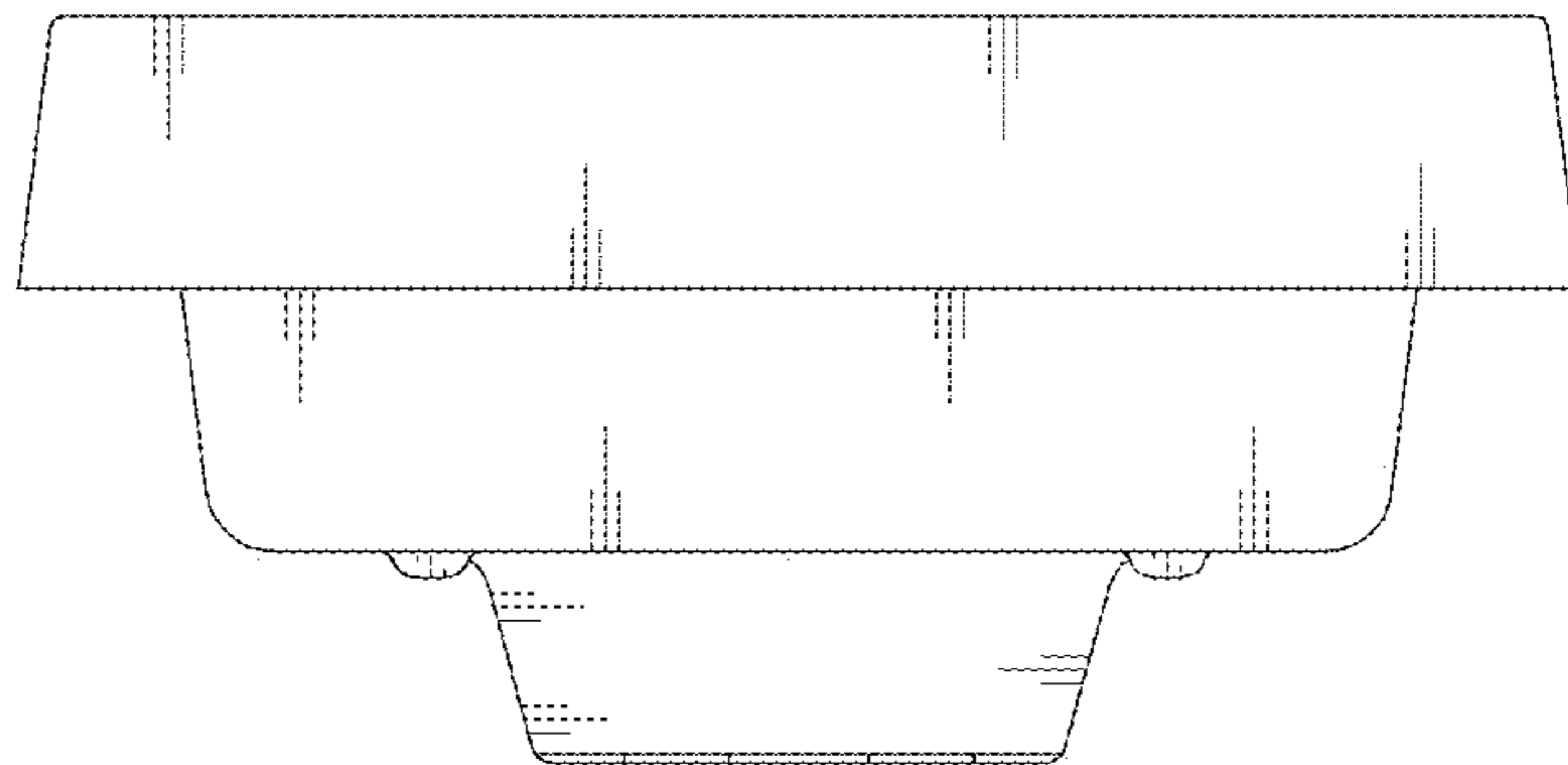


FIG. 3

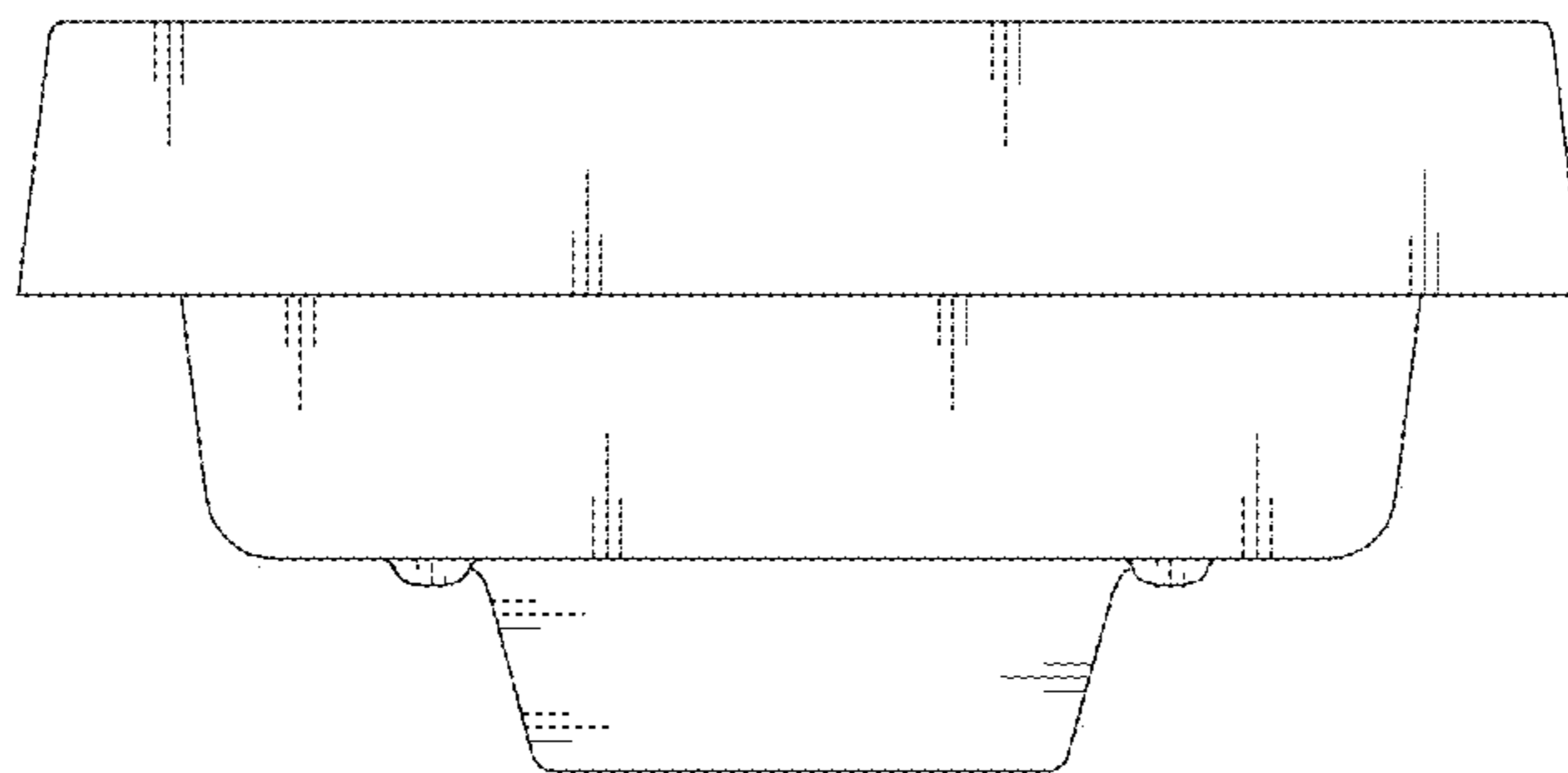


FIG. 4

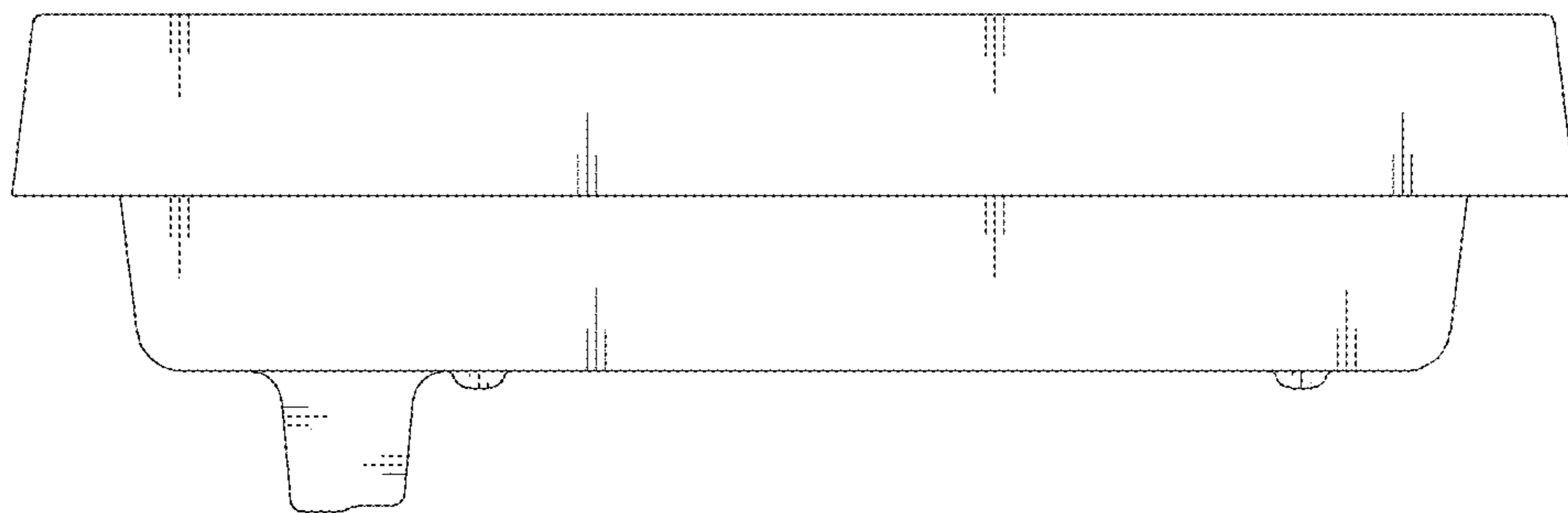


FIG. 5

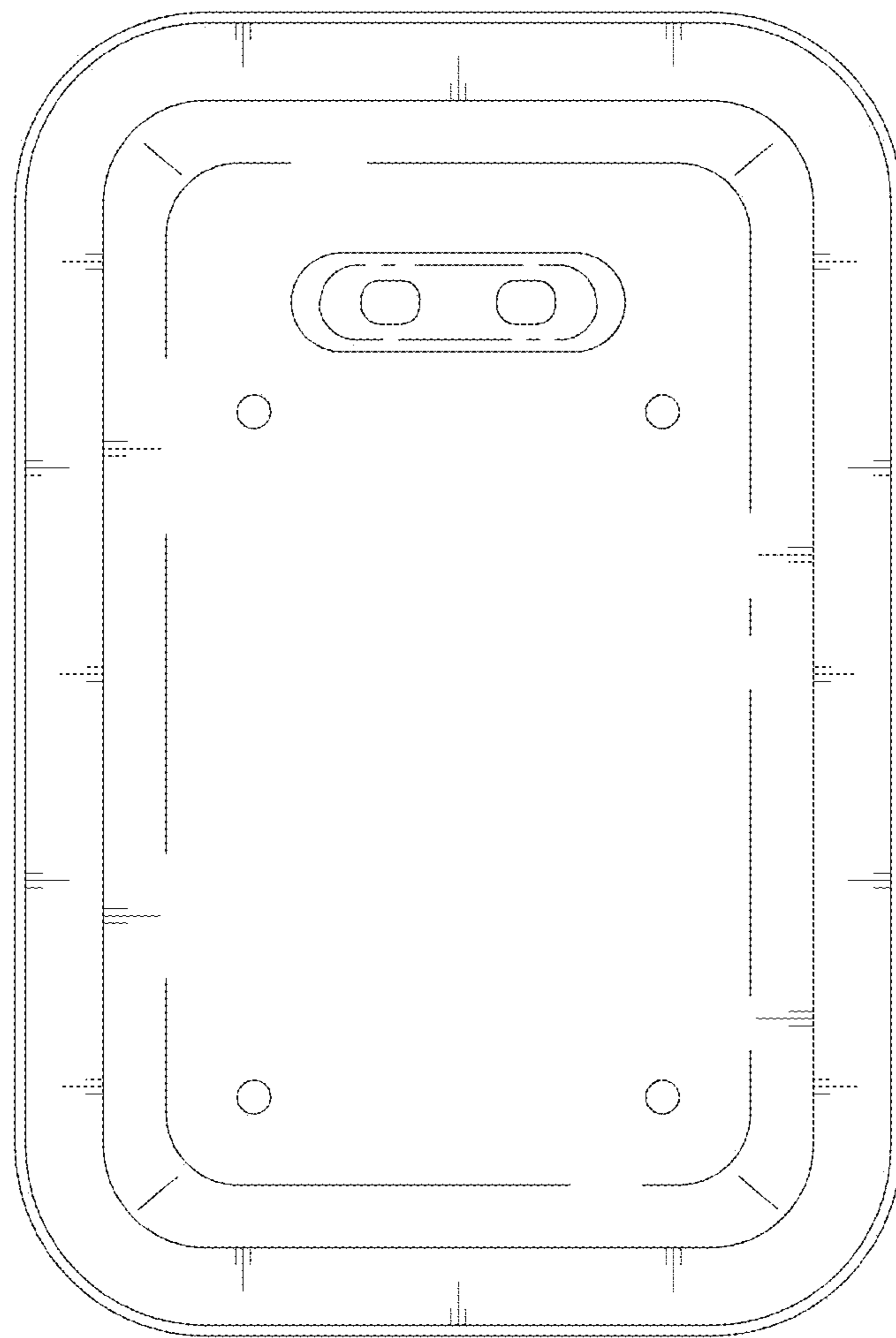


FIG. 6

