



US00D971074S

(12) **United States Design Patent** (10) **Patent No.:** **US D971,074 S**  
**Brattl6f** (45) **Date of Patent:** **\*\* Nov. 29, 2022**

(54) **CHRISTMAS STAND**  
(71) Applicant: **Garden Glory AB**, Gothenburg (SE)  
(72) Inventor: **Linda Brattl6f**, Dons6 (SE)  
(73) Assignee: **Garden Glory AB**, Gothenburg (SE)  
(\*\*) Term: **15 Years**

7,484,703 B2 \* 2/2009 Krinner ..... A47G 33/1213  
D11/130.1  
D667,336 S \* 9/2012 Tsai ..... D11/130.1  
D831,531 S \* 10/2018 Zhao ..... D11/130.1  
D848,897 S \* 5/2019 Lentz ..... D11/118  
D863,100 S \* 10/2019 Zhao ..... D11/130.1  
D904,222 S \* 12/2020 Zhao ..... D11/130.1  
D945,311 S \* 3/2022 Zhao ..... D11/130.1

(21) Appl. No.: **29/748,969**  
(22) Filed: **Sep. 2, 2020**  
(51) **LOC (13) Cl.** ..... **06-99**  
(52) **U.S. Cl.**  
USPC ..... **D11/130.1**  
(58) **Field of Classification Search**  
USPC ... D11/117, 121, 130, 130.1, 131, 143, 144,  
D11/152, 153, 154; 428/7, 8, 9, 12, 15,  
428/19, 20; 248/519, 523-526; 47/39,  
47/40.5, 41.1, 41.11-41.15, 42, 43  
CPC . E04H 12/2238; E04H 12/3346; A47G 33/12;  
A47G 33/1206; A47G 33/1213; A47G  
33/1226; A47G 33/1246; A47G 33/126  
See application file for complete search history.

**OTHER PUBLICATIONS**

Christmas Tree Stand "The Root"—Black, [https://www.gardenglory.com/product/christmas-tree-stand/?dTribeID=2f4152864dea23ef263f045307288713%7Cadtribes%7C4711&utm\\_source=Google%20Shopping&utm\\_campaign=Google%20Shopping%20-%20US&utm\\_medium=cpc&utm\\_term=4711](https://www.gardenglory.com/product/christmas-tree-stand/?dTribeID=2f4152864dea23ef263f045307288713%7Cadtribes%7C4711&utm_source=Google%20Shopping&utm_campaign=Google%20Shopping%20-%20US&utm_medium=cpc&utm_term=4711), copyright 2018. (Year: 2018).\*

\* cited by examiner

*Primary Examiner* — Elizabeth J Oswecki  
(74) *Attorney, Agent, or Firm* — Ballard Spahr LLP

(57) **CLAIM**

The ornamental design for a Christmas stand, as shown and described.

**DESCRIPTION**

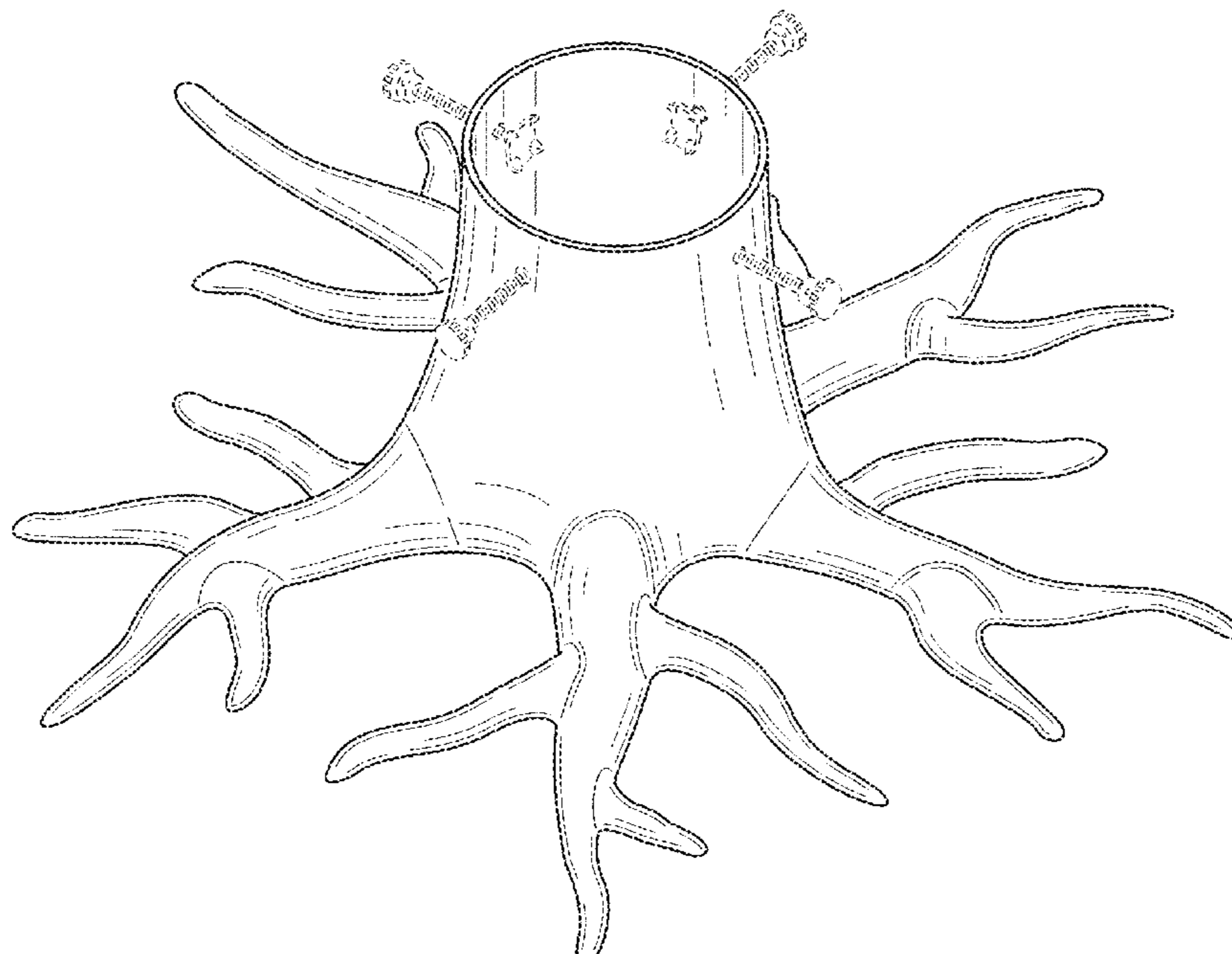
FIG. 1 is a perspective view of a Christmas stand, showing my new design;  
FIG. 2 is a side elevational view thereof;  
FIG. 3 is another side elevational view thereof;  
FIG. 4 is another side elevational view thereof;  
FIG. 5 is another side elevational view thereof;  
FIG. 6 is a top plan view thereof; and,  
FIG. 7 is a bottom plan view thereof.  
In the drawings, the broken lines depict environmental subject matter only and form no part of the claim.

**1 Claim, 7 Drawing Sheets**

(56) **References Cited**

**U.S. PATENT DOCUMENTS**

1,742,212 A \* 1/1930 Muldoon ..... A47G 33/12  
248/527  
D332,582 S \* 1/1993 Quinn ..... D11/130.1  
5,299,381 A \* 4/1994 Oldenburg, Jr. .... A01G 27/00  
248/527  
D423,399 S \* 4/2000 Ning ..... D11/130.1  
D480,014 S \* 9/2003 Goerke ..... D11/130.1  
D497,569 S \* 10/2004 Elder ..... D11/130.1  
D497,832 S \* 11/2004 Glover ..... D11/130.1  
D572,167 S \* 7/2008 Boucher ..... D11/130.1



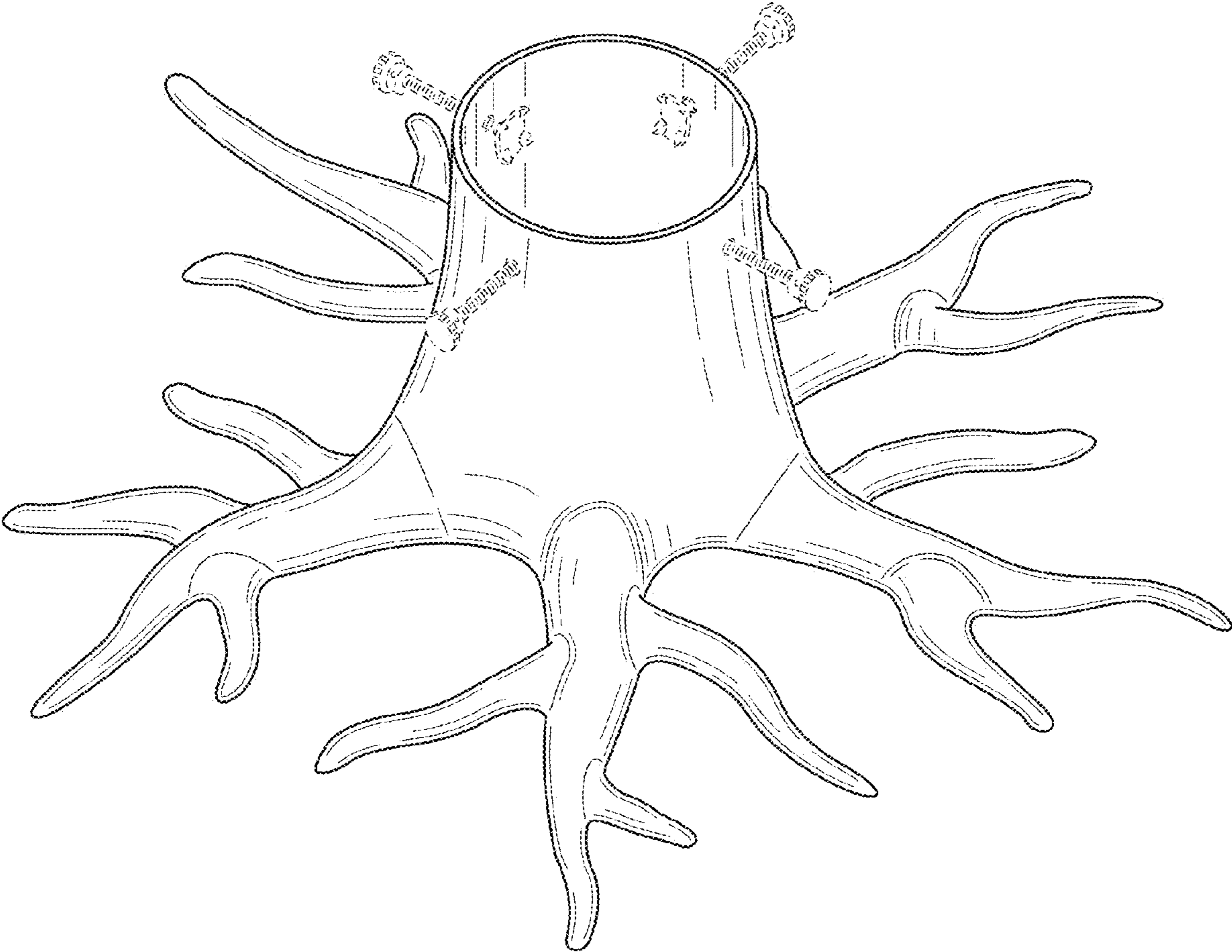


FIG. 1

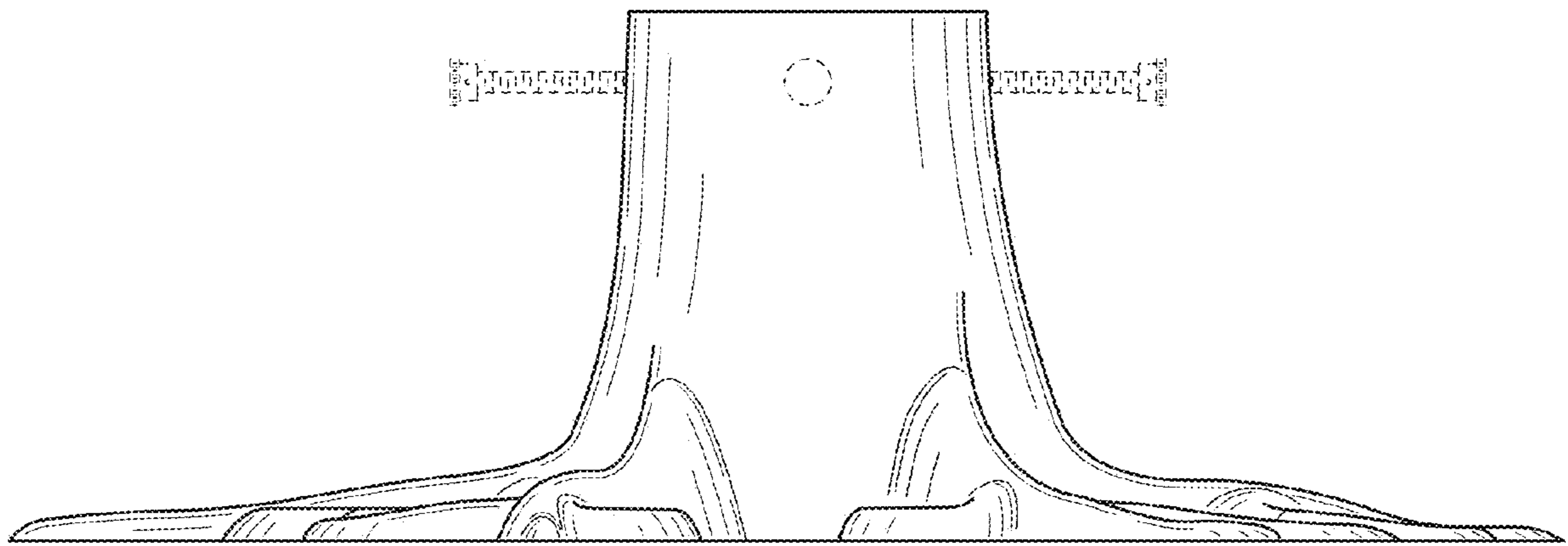


FIG. 2

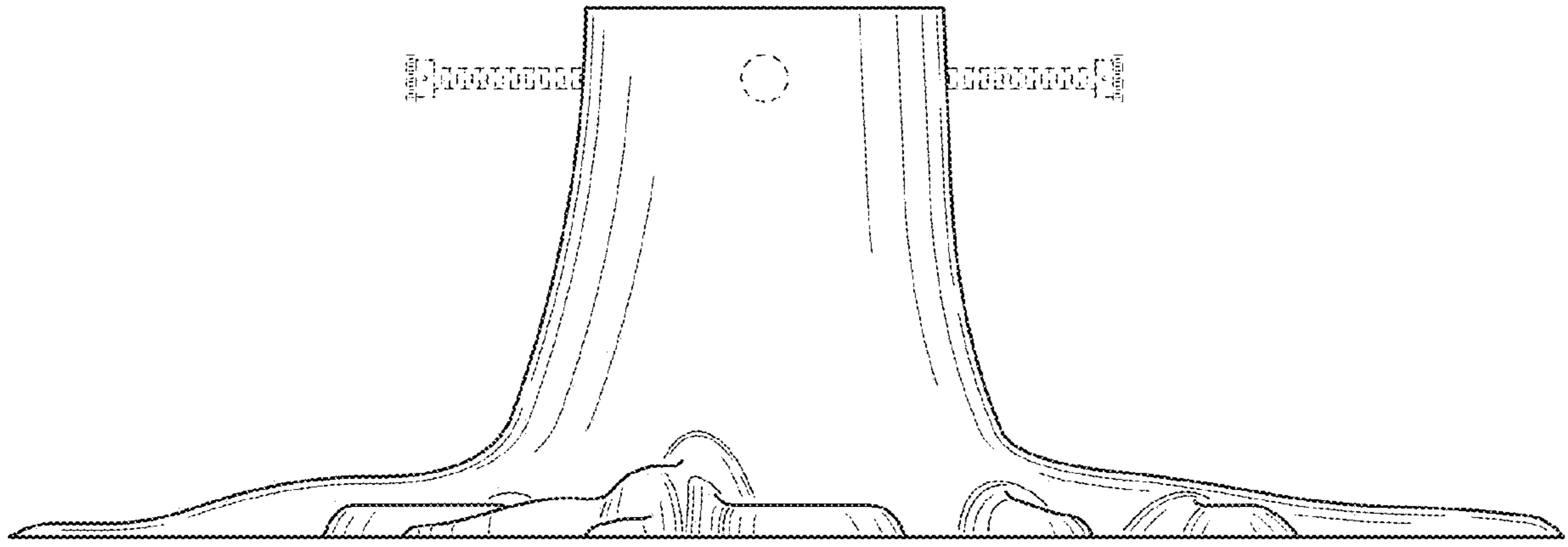


FIG. 3

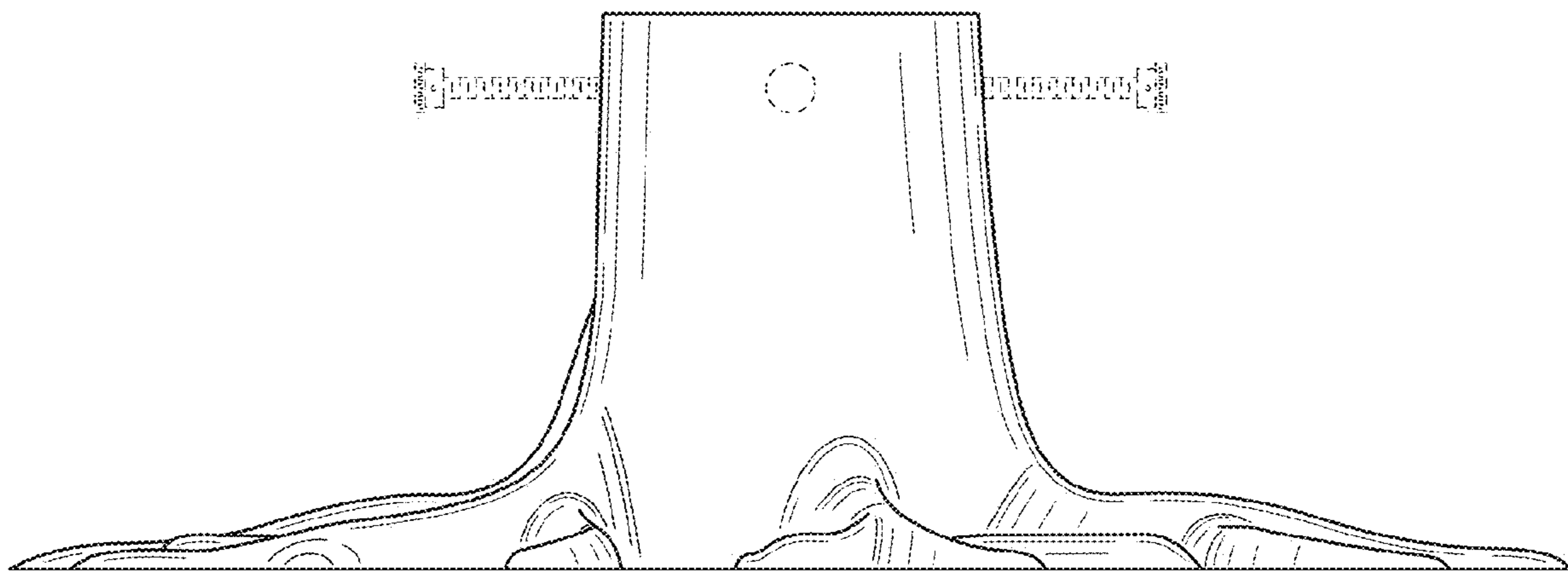


FIG. 4

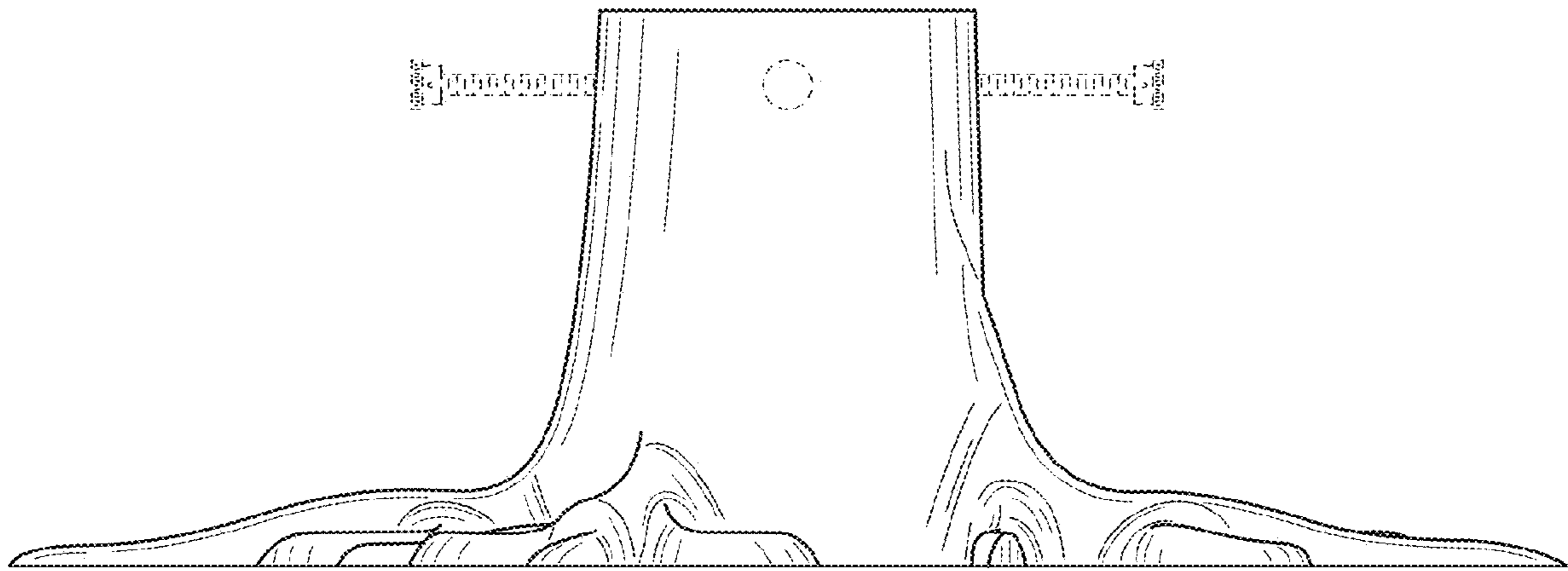


FIG. 5



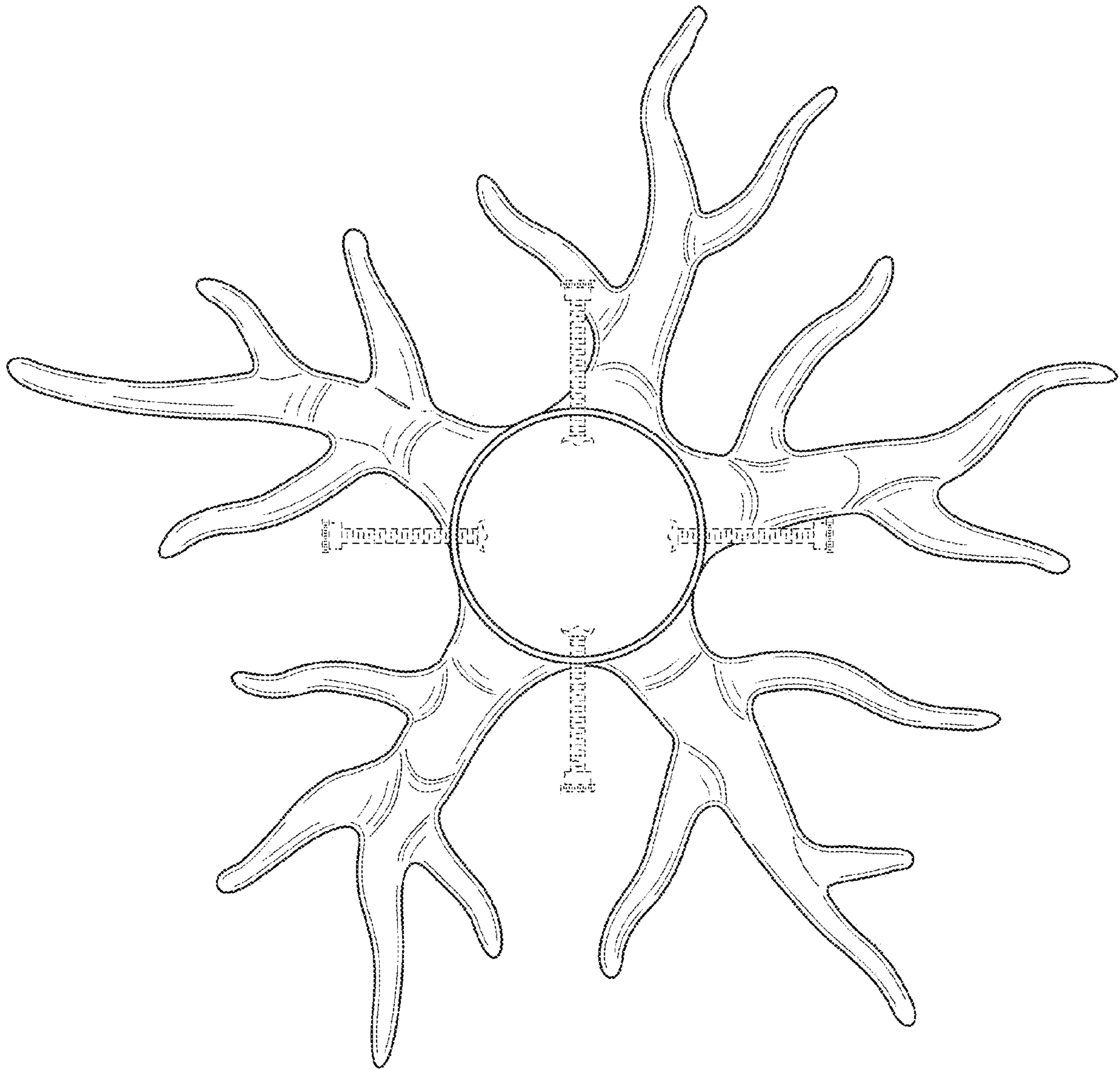


FIG. 6

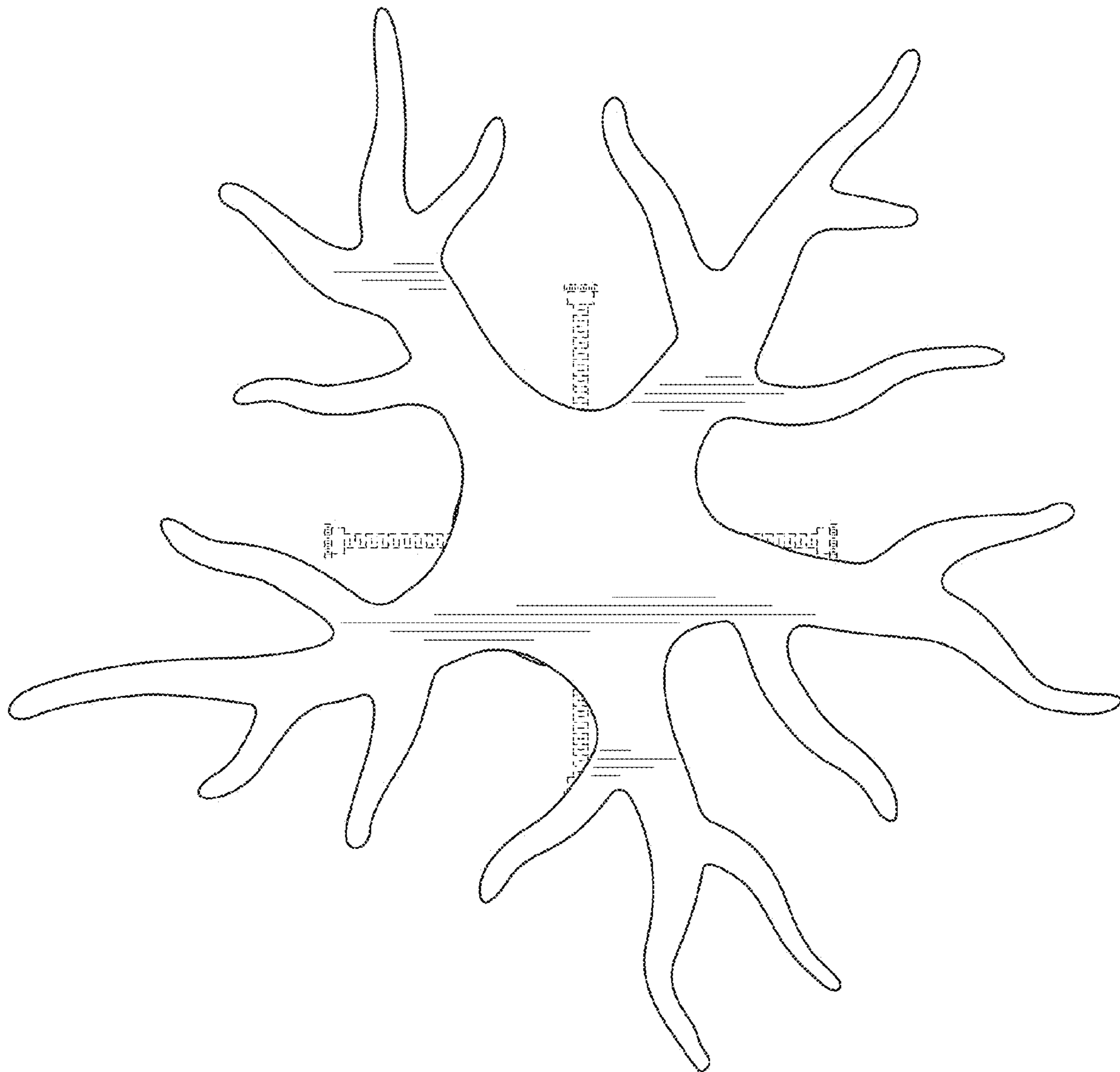


FIG. 7