



US00D971073S

(12) **United States Design Patent**
Kitchen

(10) **Patent No.:** **US D971,073 S**

(45) **Date of Patent:** **** Nov. 29, 2022**

(54) **ILLUMINATED ORNAMENT**

(71) Applicant: **Yvonne Kitchen**, Chesapeake, VA (US)

(72) Inventor: **Yvonne Kitchen**, Chesapeake, VA (US)

(**) Term: **15 Years**

(21) Appl. No.: **29/731,415**

(22) Filed: **Apr. 15, 2020**

(51) **LOC (13) Cl.** **11-05**

(52) **U.S. Cl.**
USPC **D11/125; D26/94**

(58) **Field of Classification Search**
USPC D11/117, 120, 121, 125, 130, 131, 132,
D11/133, 157; 428/7, 8, 9, 10, 12, 15,
428/20, 21, 22; D26/4, 26, 51, 57, 94;
362/565, 249.16, 644, 806
CPC A01G 5/04; B44C 5/00; B44C 5/04; B44C
5/06; A47G 33/08; A47G 2033/0827;
Y10S 362/806; Y10S 362/00; F21S 6/00;
F21S 8/00; F21S 8/006

See application file for complete search history.

(56) **References Cited**

U.S. PATENT DOCUMENTS

| | | | | |
|-----------|-----|---------|------------|--------------------|
| 1,024,695 | A | 4/1912 | Mulholland | |
| 2,886,912 | A * | 5/1959 | Rowland | D04D 7/10 2/244 |
| D378,904 | S * | 4/1997 | Sciuto | D11/66 |
| 6,206,334 | B1 | 3/2001 | Week | |
| D456,476 | S * | 4/2002 | Tate | D21/794 |
| 6,693,556 | B1 | 2/2004 | Jones | |
| D508,580 | S | 8/2005 | Norris | |
| D533,746 | S * | 12/2006 | Levy | D7/354 |
| D542,590 | S * | 5/2007 | Levy | D7/354 |
| D544,811 | S * | 6/2007 | Perkins | D11/56 |
| D555,033 | S * | 11/2007 | Perkins | D11/56 |
| D572,126 | S * | 7/2008 | Tomaka | D8/395 |
| D590,294 | S * | 4/2009 | Fomby | D11/120 |
| D590,885 | S * | 4/2009 | Love | D19/65 |
| D593,245 | S | 5/2009 | Kasatshko | |
| D610,482 | S * | 2/2010 | Shaw | D11/81 |

| | | | | |
|-----------|------|---------|------------|------------------------|
| 7,993,711 | B2 | 8/2011 | DeMoor | |
| D646,949 | S * | 10/2011 | Zaksenberg | D8/103 |
| 8,053,011 | B1 * | 11/2011 | Cambridge | A21B 3/13 220/573.1 |
| D676,729 | S * | 2/2013 | Kent | D8/49 |
| D677,332 | S * | 3/2013 | Kent | D19/69 |
| D687,737 | S * | 8/2013 | Japel | D11/96 |

(Continued)

OTHER PUBLICATIONS

Purple Ribbon Blinkie, [\(Continued\)](https://www.executiveadvertising.com/promotional-purple-ribbon-blinkie-333799?utm_source=google&utm_medium=cpc&utm_campaign=Shopping%20Campaign%20L1&gclid=EA1aIQobChMIg-7Fp7nY-AIVwOTjBx1P7AtcEAQYASABEgImYfd_BwE, 2022. (Year: 2022).*</p></div>
<div data-bbox=)

Primary Examiner — Elizabeth J Oswecki

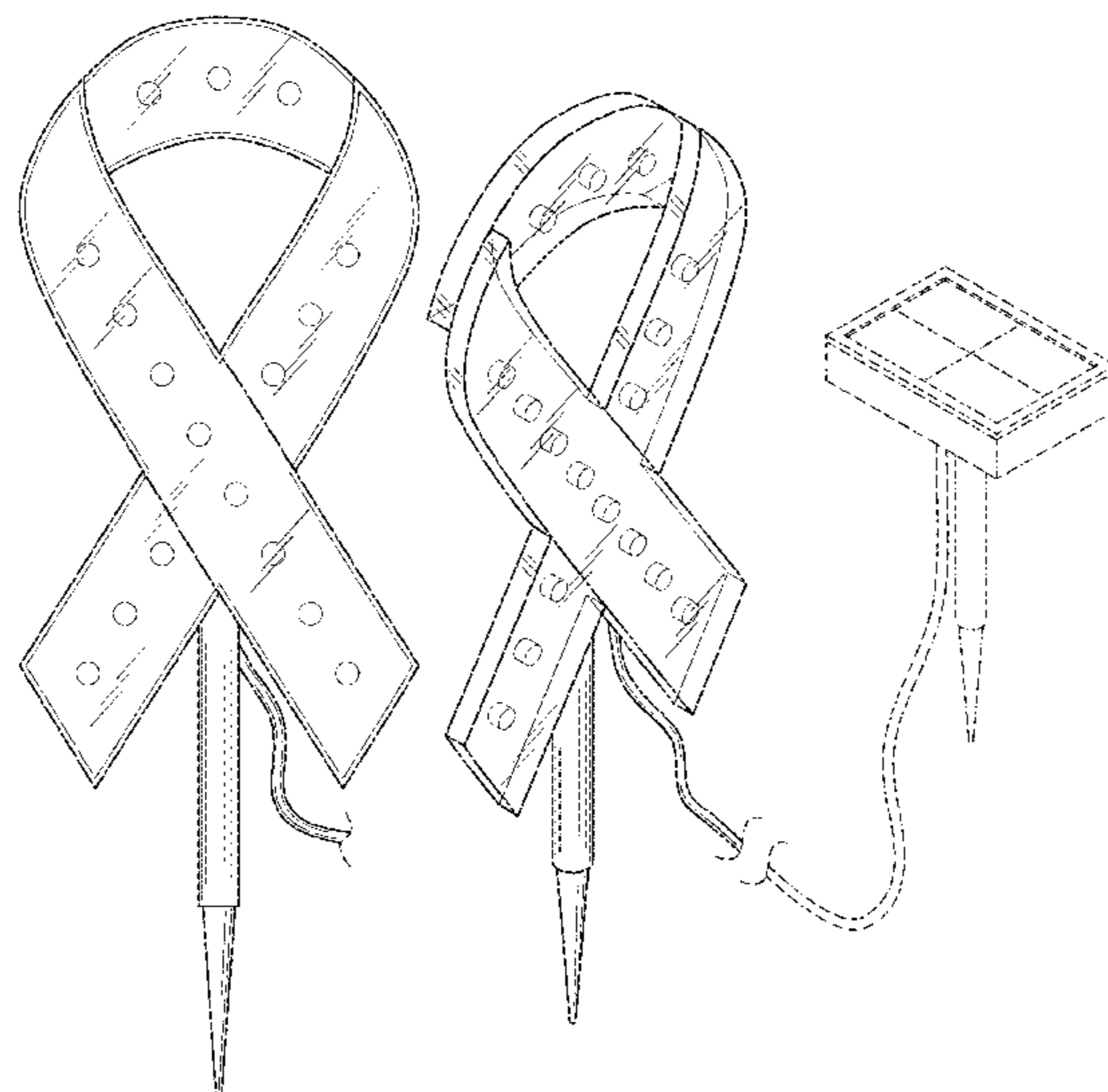
(57) **CLAIM**

The ornamental design for an illuminated ornament, as shown and described.

DESCRIPTION

FIG. 1 is a front view of an illuminated ornament showing my new design;
FIG. 2 is a rear view of the illuminated ornament;
FIG. 3 is a right side view of the illuminated ornament;
FIG. 4 is a left side view of the illuminated ornament;
FIG. 5 is a top view of the illuminated ornament;
FIG. 6 is a bottom view of the illuminated ornament; and,
FIG. 7 is a top front side perspective view of the illuminated ornament.
The broken lines at the end of the cord in FIGS. 1 through 7 define the border edge of the illuminated ornament and form no part of the claimed design. The broken lines in FIG. 7 showing a cord with an edge, a rectangular box with interior smaller rectangles, and a stake form no part of the claimed design.

1 Claim, 4 Drawing Sheets



(56)

References Cited

U.S. PATENT DOCUMENTS

D723,967 S * 3/2015 Youkhana D11/66
D751,802 S * 3/2016 Garrett D2/966
D851,293 S * 6/2019 Anderson D26/10
D893,338 S * 8/2020 Catalano D11/13
2004/0177538 A1 9/2004 De Ruyter
2006/0185203 A1 8/2006 Bittle
2011/0185203 A1 7/2011 Carlson
2013/0255118 A1 10/2013 Warren
2013/0294057 A1 11/2013 Schwartz

OTHER PUBLICATIONS

24 in. Outdoor LED Small Breast Cancer Ribbon Lighted Display—
44 Bulbs, <https://www.walmart.com/ip/24-in-Outdoor-LED-Small-Breast-Cancer-Ribbon-Lighted-Display-44-Bulbs/22140368>, copy-
right 2022. (Year: 2022).*

* cited by examiner

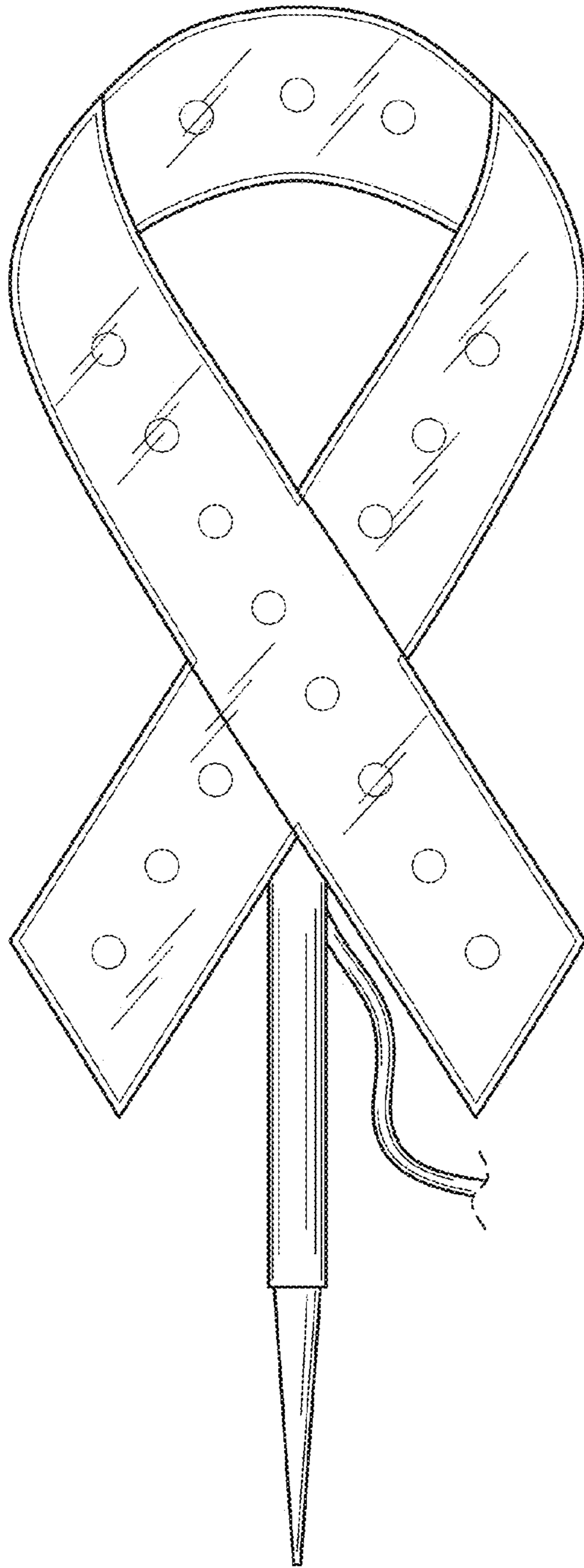


FIG. 1

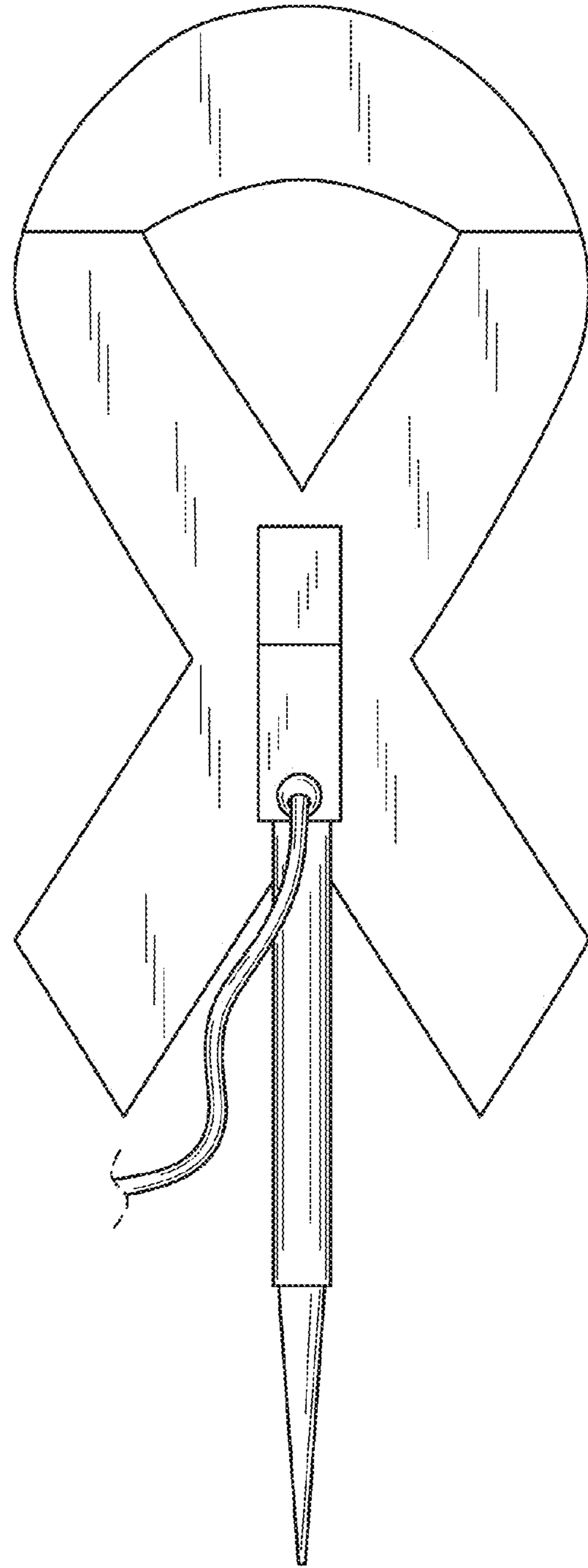


FIG. 2

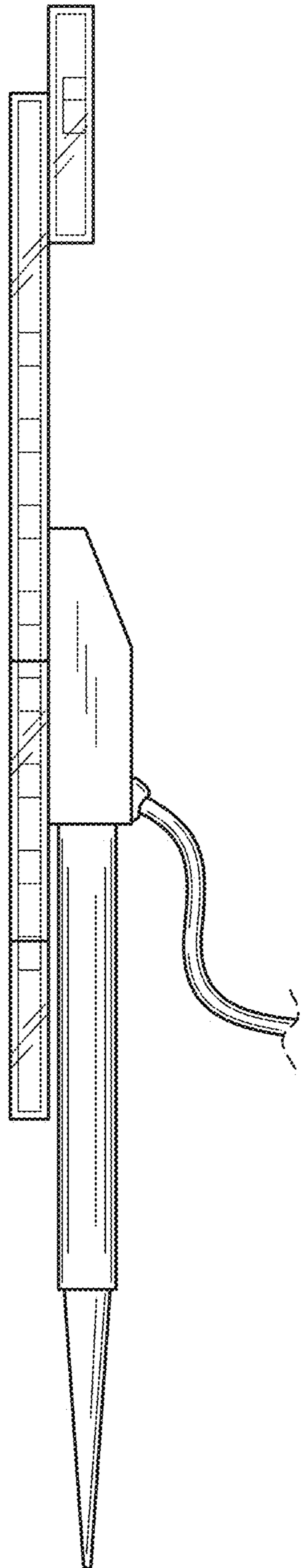


FIG. 3

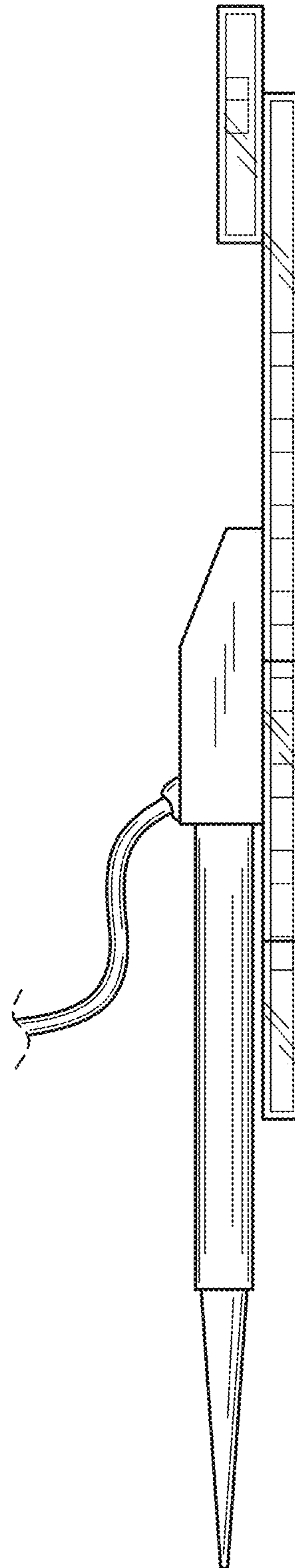


FIG. 4

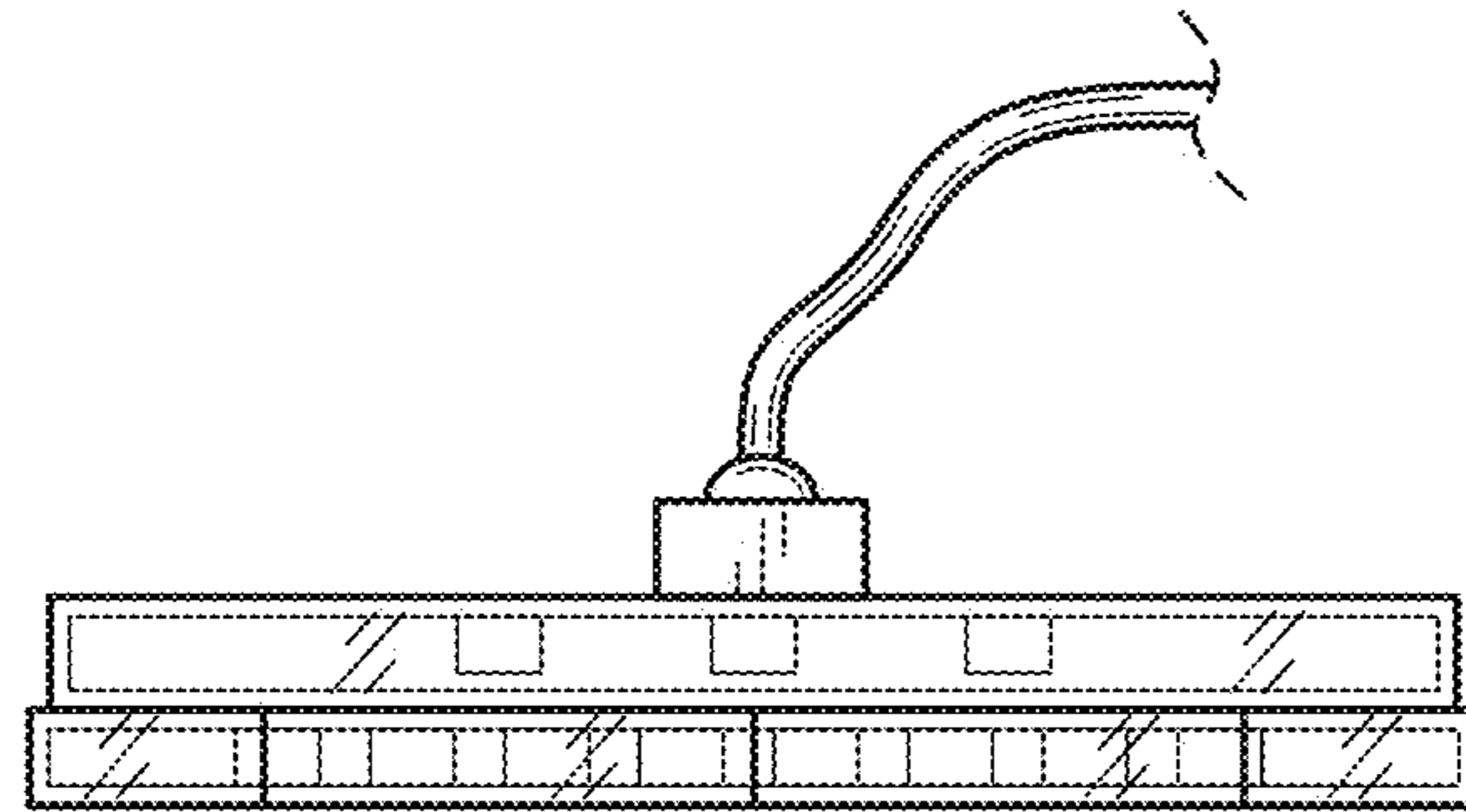


FIG. 5

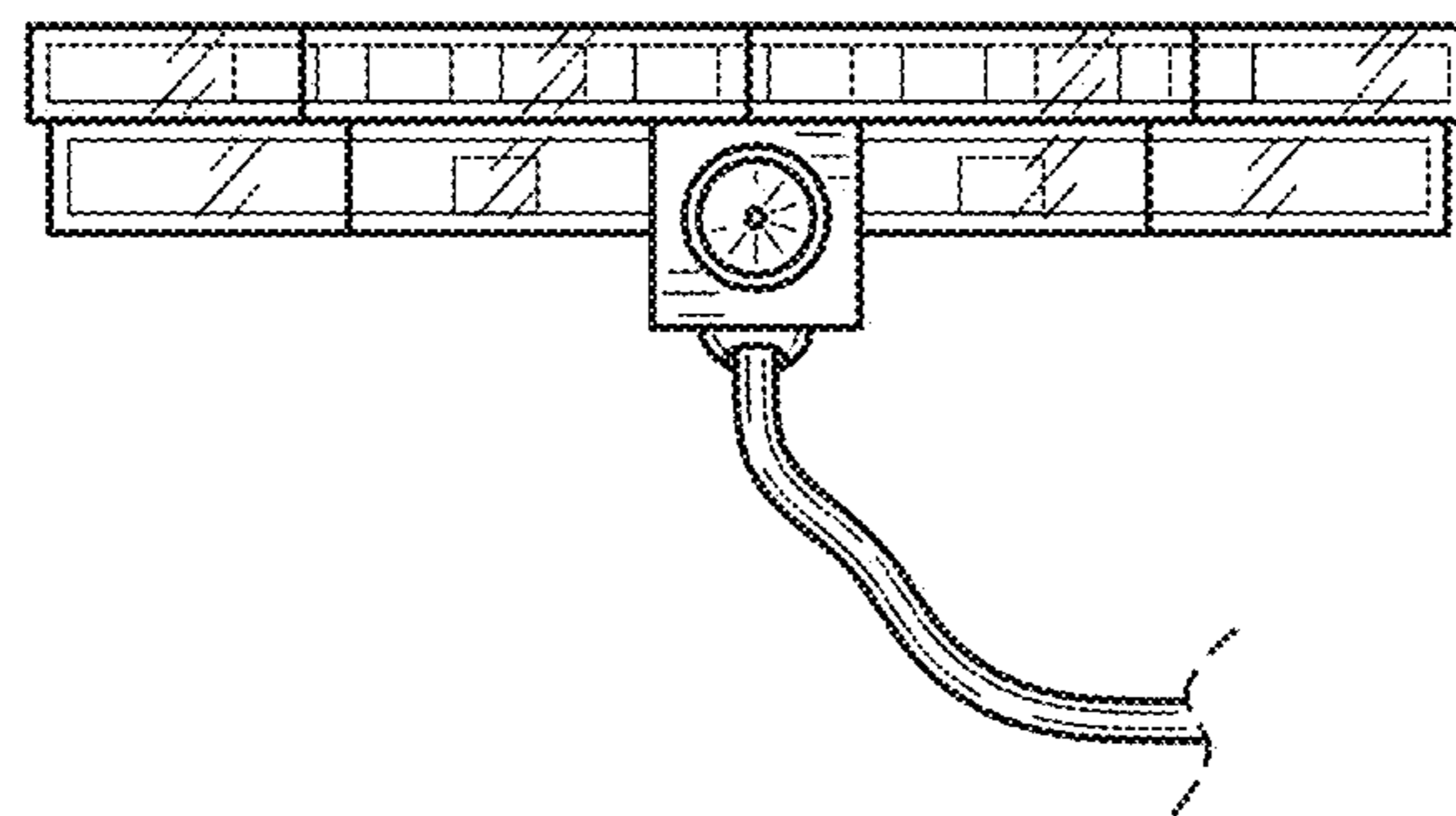


FIG. 6

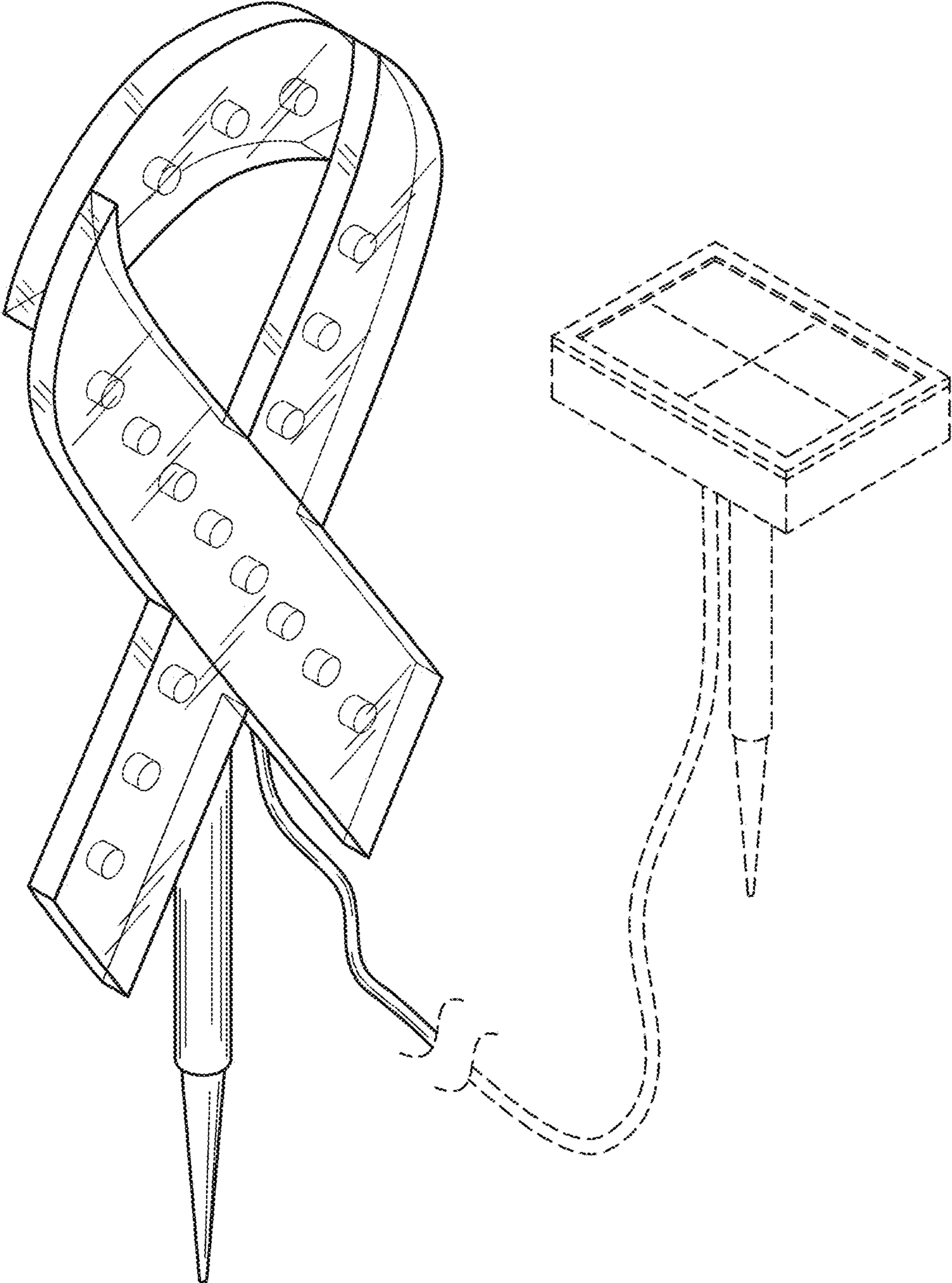


FIG. 7