



US00D971070S

(12) **United States Design Patent**
Tomao

(10) **Patent No.:** **US D971,070 S**

(45) **Date of Patent:** **** Nov. 29, 2022**

(54) **CROSS WITH BREAK SYMBOLIZING A PRAYING FIGURE**

(71) Applicant: **Antonia Tomao**, East Rockaway, NY (US)

(72) Inventor: **Antonia Tomao**, East Rockaway, NY (US)

(**) Term: **15 Years**

(21) Appl. No.: **29/713,527**

(22) Filed: **Nov. 15, 2019**

(51) **LOC (13) Cl.** **11-03**

(52) **U.S. Cl.**
USPC **D11/96**
CPC **A44C 1/00** (2013.01)

(58) **Field of Classification Search**
USPC D11/1, 2, 7, 8, 40-49, 79-86, 65, 69, 99, D11/27
CPC .. A44C 1/00; A44C 3/00; A44C 3/001; A44C 3/002; A44C 3/004; A44C 3/005; A44C 3/007; A44C 3/008; A44C 15/005; A44C 25/00; A44C 25/001; A44C 25/002; A44C 25/007

See application file for complete search history.

(56) **References Cited**

U.S. PATENT DOCUMENTS

D242,818 S * 12/1976 Wood D99/27
D255,279 S * 6/1980 Graves D99/27
D408,318 S * 4/1999 Zuzul D11/96

D467,196 S * 12/2002 Pinto D11/96
D485,206 S * 1/2004 Pachachi D11/96
D500,261 S * 12/2004 Pachachi D11/96
D523,374 S * 6/2006 Raid D11/96
D523,773 S * 6/2006 Raid D11/96
D580,295 S * 11/2008 van Vliet D11/96
D655,642 S * 3/2012 Mogren D11/96
D691,511 S * 10/2013 Macumber D11/96
D716,173 S * 10/2014 Garcia D11/96
D725,536 S * 3/2015 Anderson D11/79
D766,772 S * 9/2016 Letney D11/96
D777,601 S * 1/2017 White D11/96
D802,469 S * 11/2017 Letney D11/96
D837,090 S * 1/2019 Letney D11/96
D900,669 S * 11/2020 Yuan D11/96
D920,150 S * 5/2021 Zhang D11/96

* cited by examiner

Primary Examiner — Richard E Chilcot

(74) *Attorney, Agent, or Firm* — Gearhart Law LLC

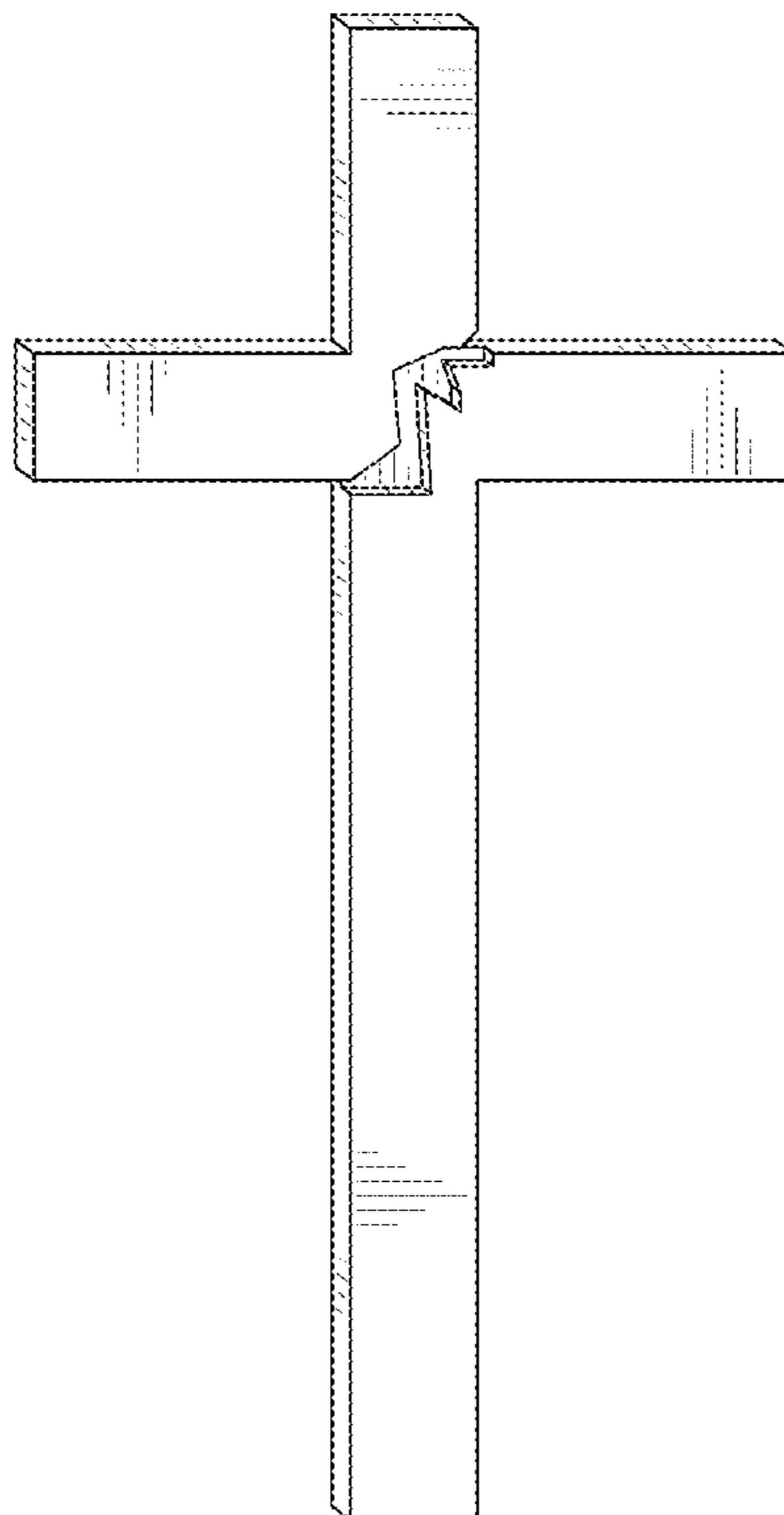
(57) **CLAIM**

The ornamental design for a cross with break symbolizing a praying figure, as shown and described.

DESCRIPTION

FIG. 1 is a perspective view of the cross with break symbolizing a praying figure.
FIG. 2 is a front view thereof.
FIG. 3 is a back view thereof.
FIG. 4 is a left side view thereof.
FIG. 5 is a right side view thereof.
FIG. 6 is a top view thereof; and,
FIG. 7 is a bottom view thereof.

1 Claim, 3 Drawing Sheets



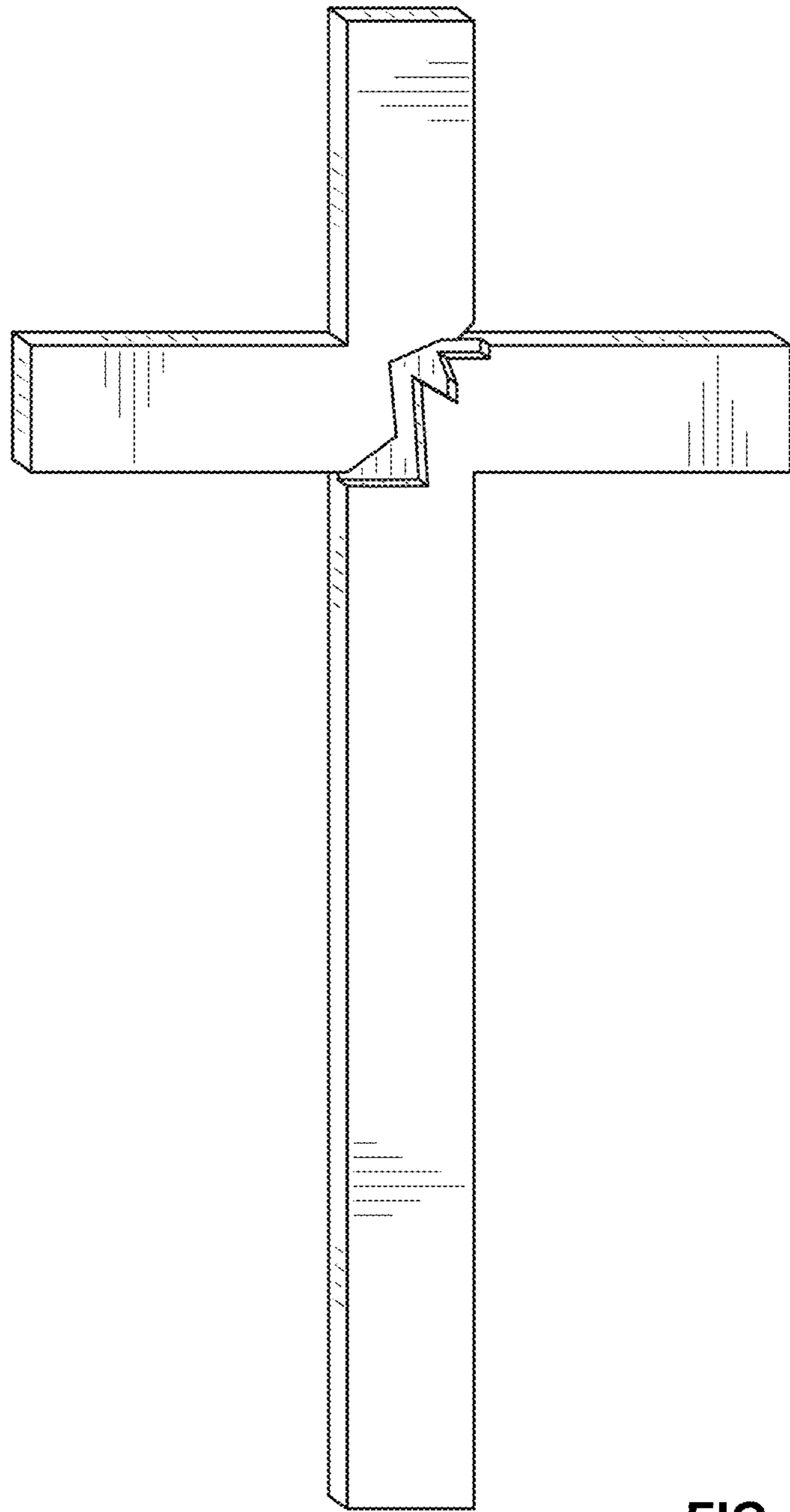


FIG. 1

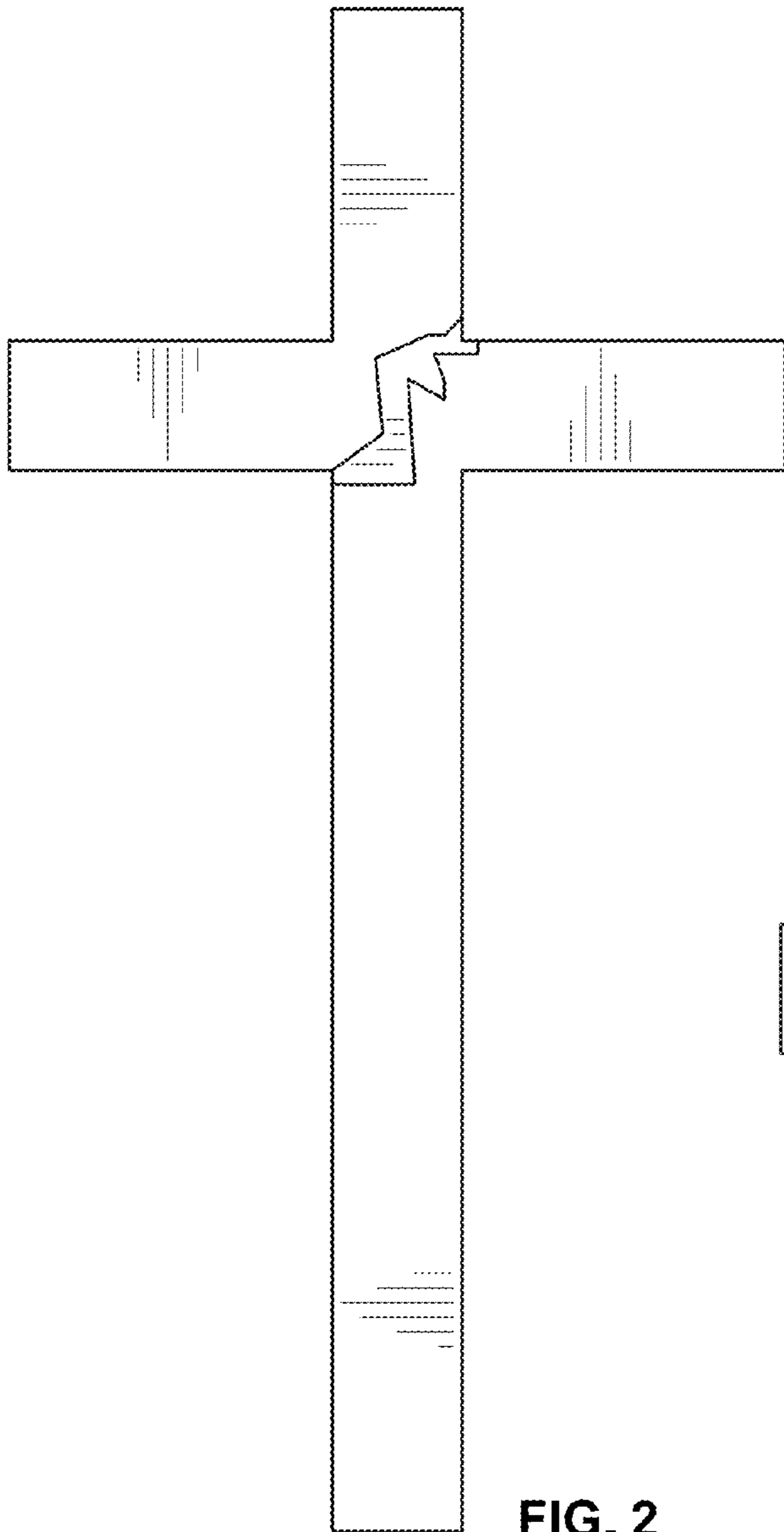


FIG. 2

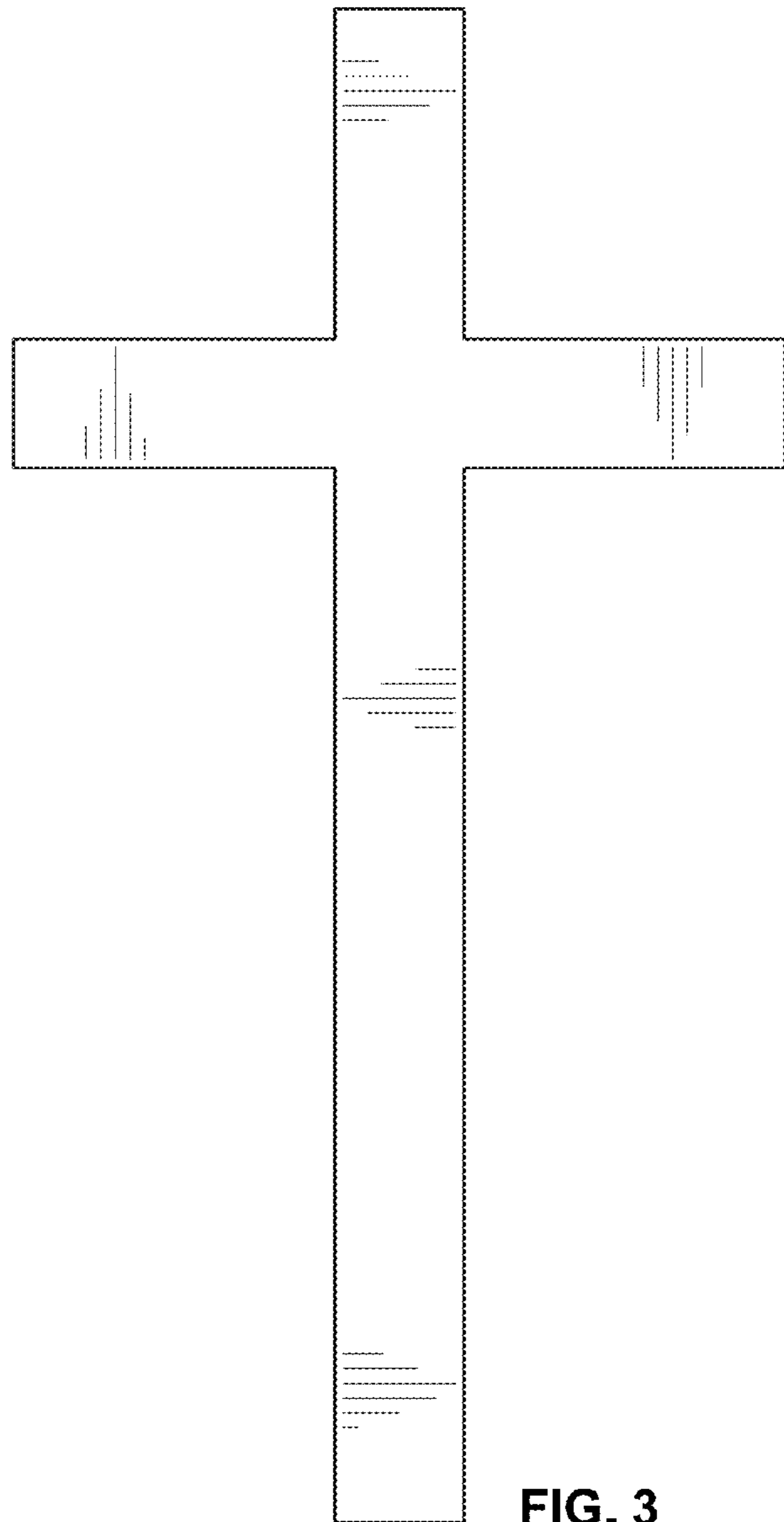


FIG. 3



FIG. 4



FIG. 5



FIG. 6



FIG. 7