



US00D971069S

(12) **United States Design Patent** (10) **Patent No.:** **US D971,069 S**
Riordan (45) **Date of Patent:** **** Nov. 29, 2022**

(54) **ENGRAVED SYMBOL**
(71) Applicant: **Michael Lee Riordan**, Incline Village, NV (US)
(72) Inventor: **Michael Lee Riordan**, Incline Village, NV (US)
(**) Term: **15 Years**
(21) Appl. No.: **29/713,676**
(22) Filed: **Nov. 18, 2019**
(51) **LOC (13) Cl.** **11-01**
(52) **U.S. Cl.**
USPC **D11/95**
CPC **A44C 1/00** (2013.01)
(58) **Field of Classification Search**
USPC D11/79, 95–116, 121, 184; D14/485–495
CPC A44C 1/00; A44C 5/00; A44C 5/02; A44C 5/10; A44C 5/102; A44C 5/105; A44C 5/18; A44C 7/00; A44C 7/002; A44C 7/003; A44C 7/004; A44C 7/005; A44C 7/006; A44C 7/007; A44C 7/008; A44C 15/0025; A44C 15/004; A44C 15/005; A44C 15/0055; A44C 25/00; A44C 25/001; A44C 25/005; A44C 25/007; A44C 25/008

See application file for complete search history.

(56) **References Cited**

U.S. PATENT DOCUMENTS

D12,963 S * 6/1882 Wilt D11/116
D18,393 S * 6/1888 Keyser D11/95
D25,545 S * 5/1896 Kane D11/95
D44,693 S * 9/1913 Smith D11/99
D53,748 S * 8/1919 Pratt D11/170
D61,477 S * 9/1922 Peters D11/112
D115,265 S * 6/1939 Itton D99/27
D129,801 S * 10/1941 Burn D11/95
2,339,364 A * 1/1944 Thomas A44B 1/30
D11/116

2,345,556 A * 4/1944 Doerr A44C 1/00
40/1.5
2,410,845 A * 11/1946 Snell G07F 1/06
63/23
D168,191 S * 11/1952 Saksa D19/99
D179,436 S * 12/1956 Arbib et al. D11/95
3,977,678 A * 8/1976 Hedberg A63B 67/06
D11/95
D277,113 S * 1/1985 Gordon D20/11
D301,845 S * 6/1989 Yoshida D11/75
D319,414 S * 8/1991 Moore D11/131
D518,528 S * 4/2006 Su D21/390
D669,953 S * 10/2012 Gold D21/796
D677,194 S * 3/2013 Marovic D11/95
D712,776 S * 9/2014 Kuiawa D11/40
D719,179 S * 12/2014 Daniel D14/485
D751,602 S * 3/2016 Park D14/489
D757,812 S * 5/2016 Woo D14/492
D769,983 S * 10/2016 Betsui D11/95
D786,129 S * 5/2017 Chan D11/164
D791,829 S * 7/2017 Kang D14/492

(Continued)

Primary Examiner — Richard E Chilcot

(74) Attorney, Agent, or Firm — Banner & Witcoff, Ltd.

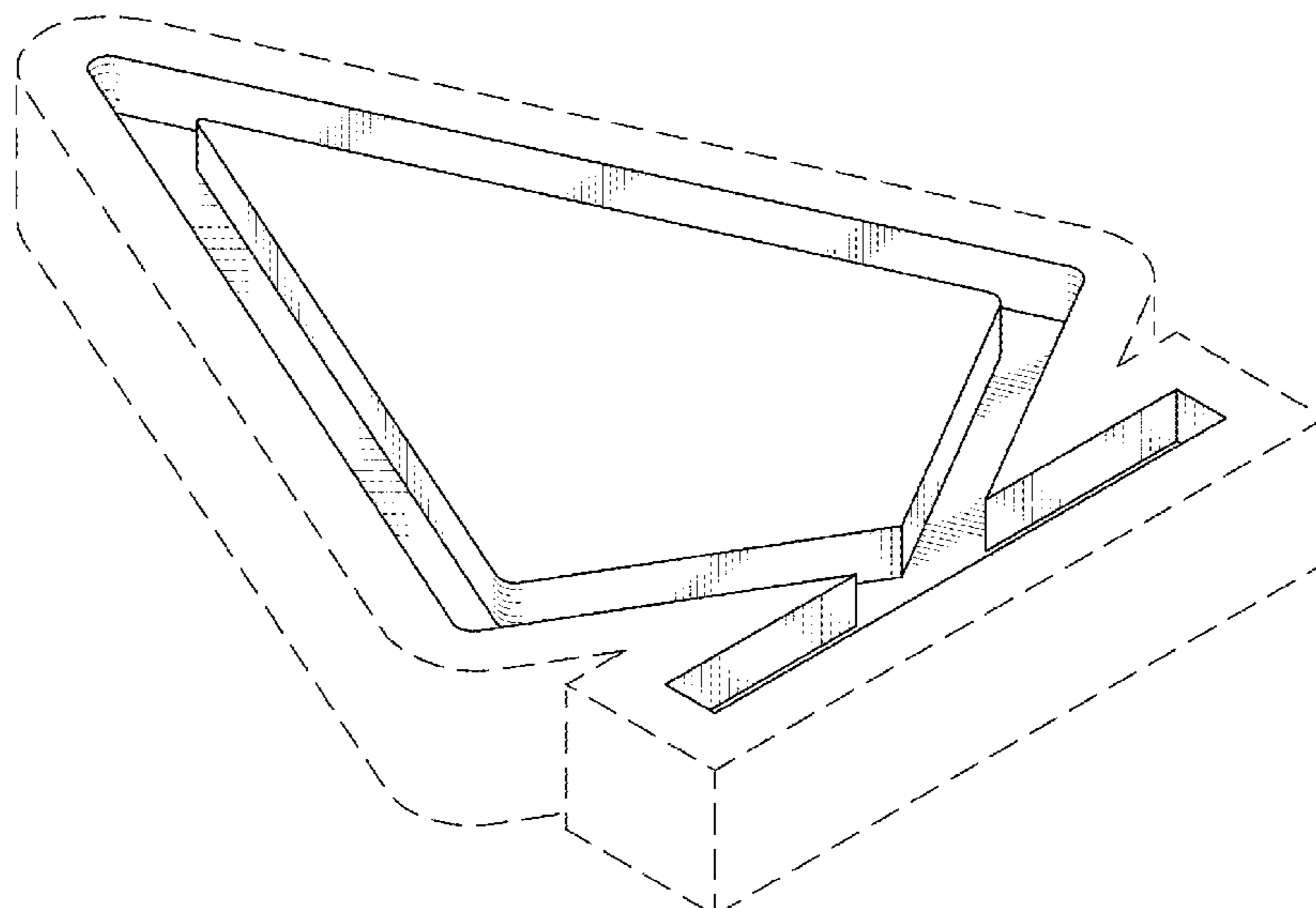
(57) **CLAIM**

The ornamental design for an engraved symbol, as shown and described.

DESCRIPTION

FIG. 1 is a front perspective view of an engraved symbol showing my new design;
FIG. 2 is a front view thereof;
FIG. 3 is a right side view thereof;
FIG. 4 is a left side view thereof;
FIG. 5 is a top view thereof;
FIG. 6 is a bottom view thereof; and,
FIG. 7 is an additional perspective view thereof.
The unshaded areas form no part of the claimed design. The broken lines immediately adjacent to the perimeter of the engraved symbol form no part of the claimed design.

1 Claim, 5 Drawing Sheets



(56)

References Cited

U.S. PATENT DOCUMENTS

D796,584 S *	9/2017	Okada	D11/95
D826,270 S *	8/2018	Silva	D14/491
D846,428 S *	4/2019	Funk	D11/95
D883,851 S *	5/2020	Funk	D11/95
D902,246 S *	11/2020	Riordan	D14/489
D955,267 S *	6/2022	Riordan	D11/79

* cited by examiner

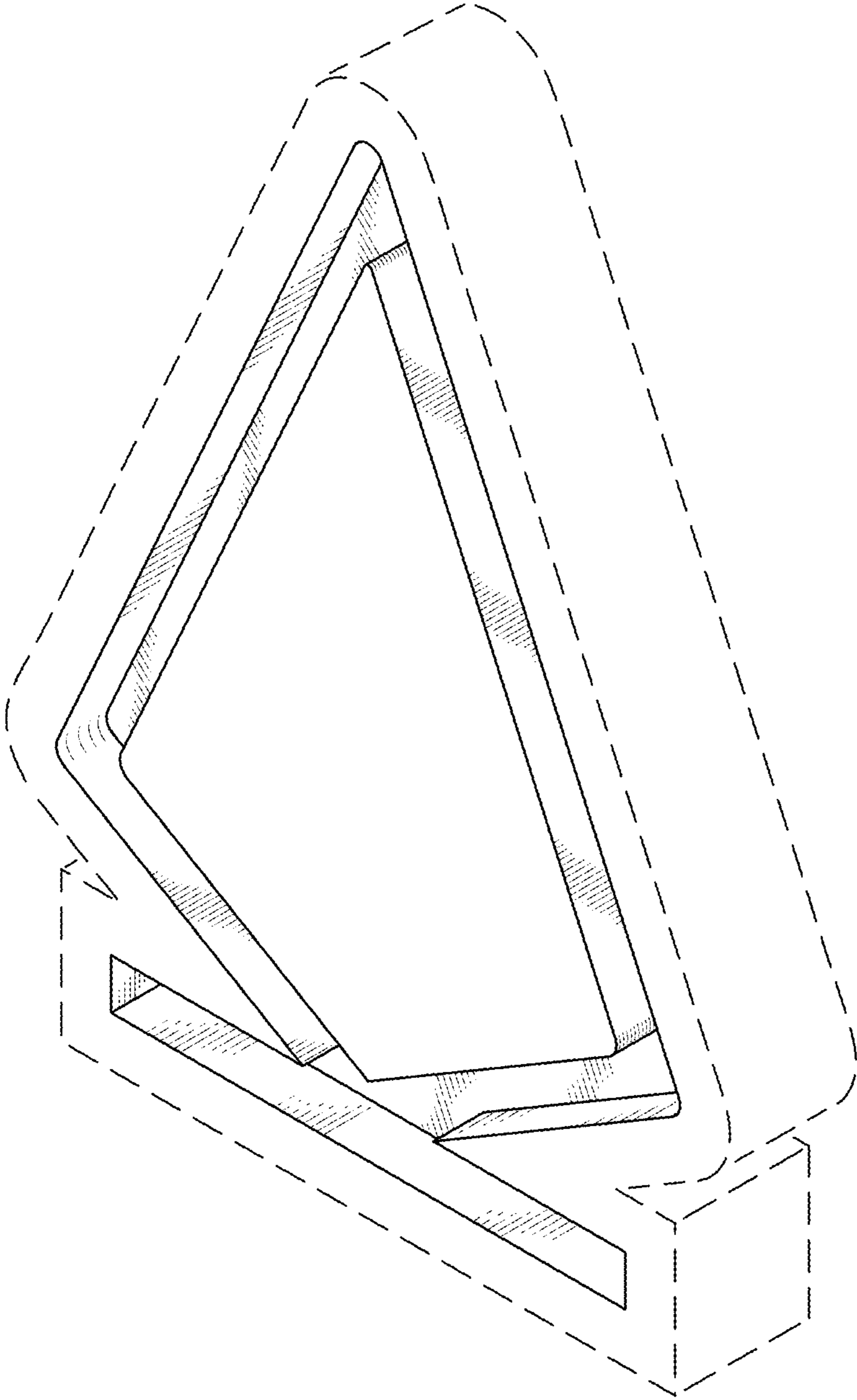


FIG. 1

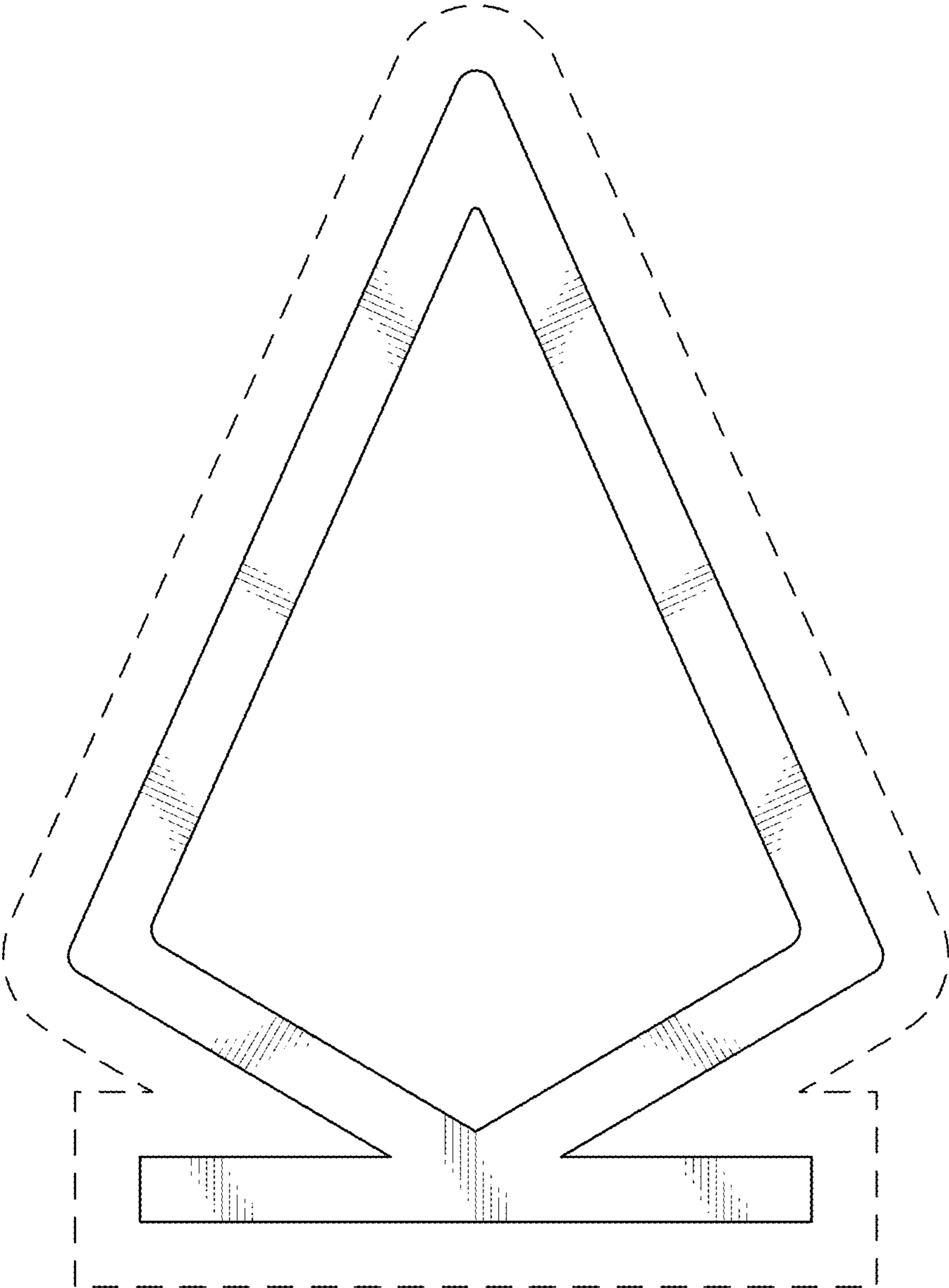


FIG. 2

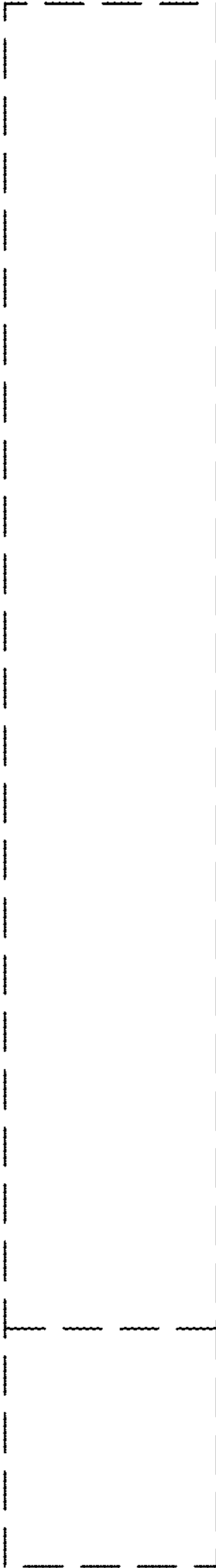


FIG. 3



FIG. 4



FIG. 5

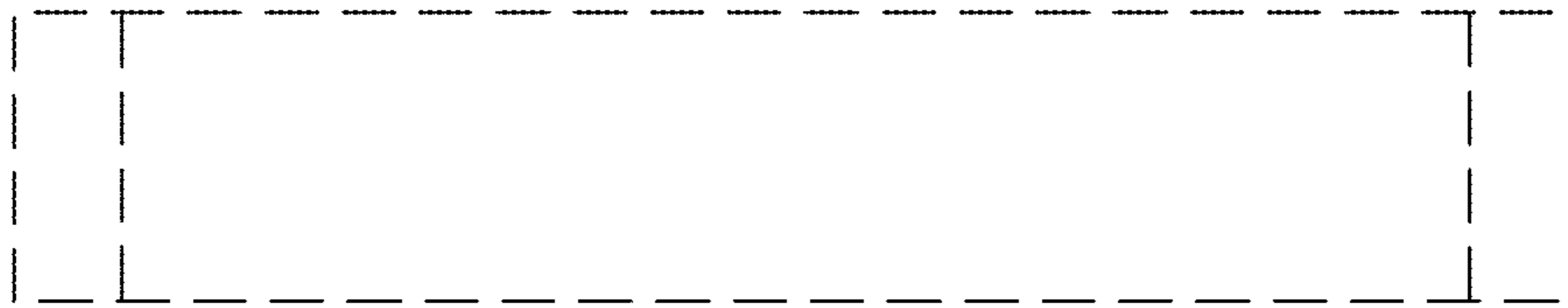


FIG. 6

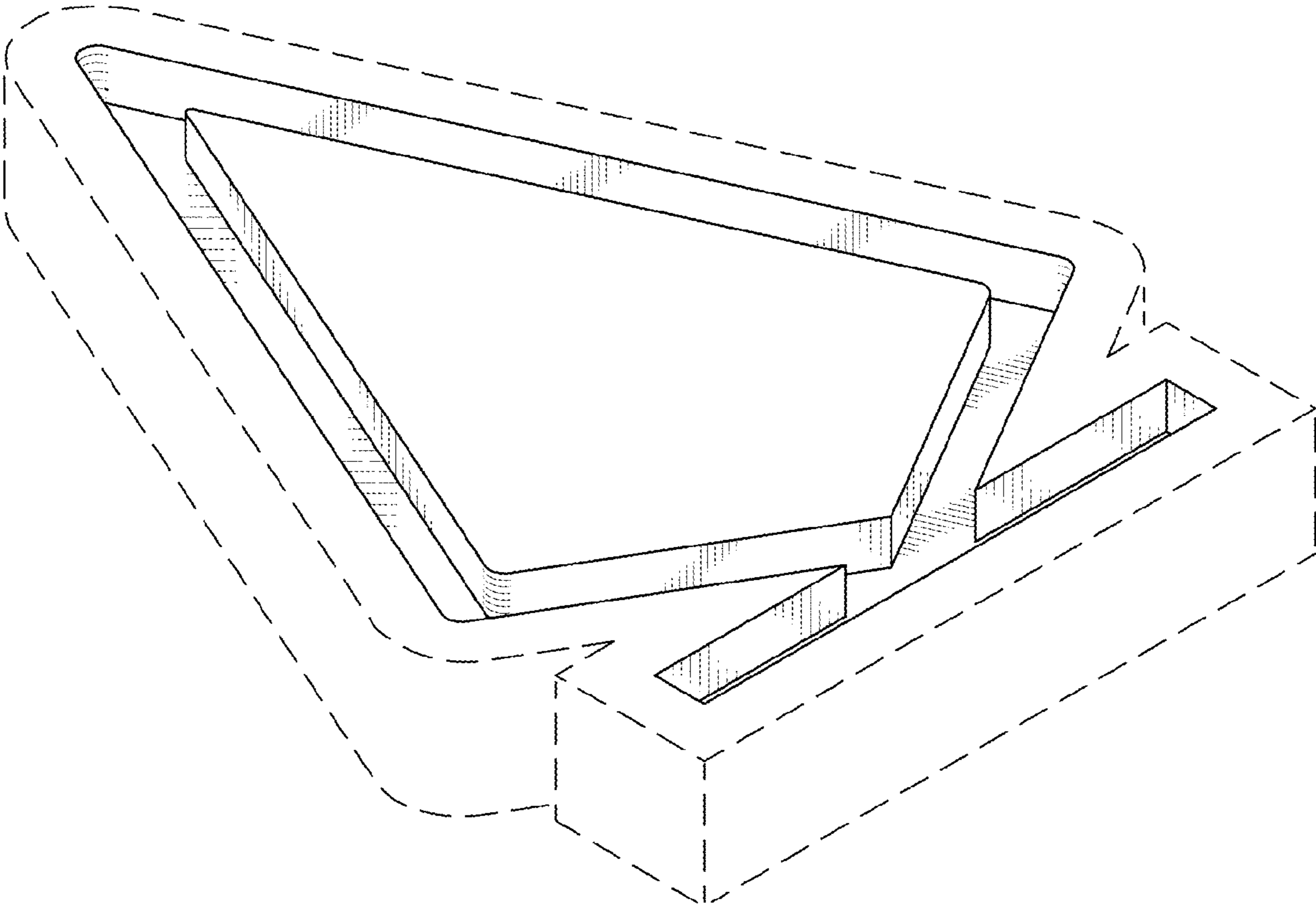


FIG. 7